



Chipsmall Limited consists of a professional team with an average of over 10 year of expertise in the distribution of electronic components. Based in Hongkong, we have already established firm and mutual-benefit business relationships with customers from,Europe,America and south Asia,supplying obsolete and hard-to-find components to meet their specific needs.

With the principle of "Quality Parts,Customers Priority,Honest Operation,and Considerate Service",our business mainly focus on the distribution of electronic components. Line cards we deal with include Microchip,ALPS,ROHM,Xilinx,Pulse,ON,Everlight and Freescale. Main products comprise IC,Modules,Potentiometer,IC Socket,Relay,Connector.Our parts cover such applications as commercial,industrial, and automotives areas.

We are looking forward to setting up business relationship with you and hope to provide you with the best service and solution. Let us make a better world for our industry!



Contact us

Tel: +86-755-8981 8866 Fax: +86-755-8427 6832

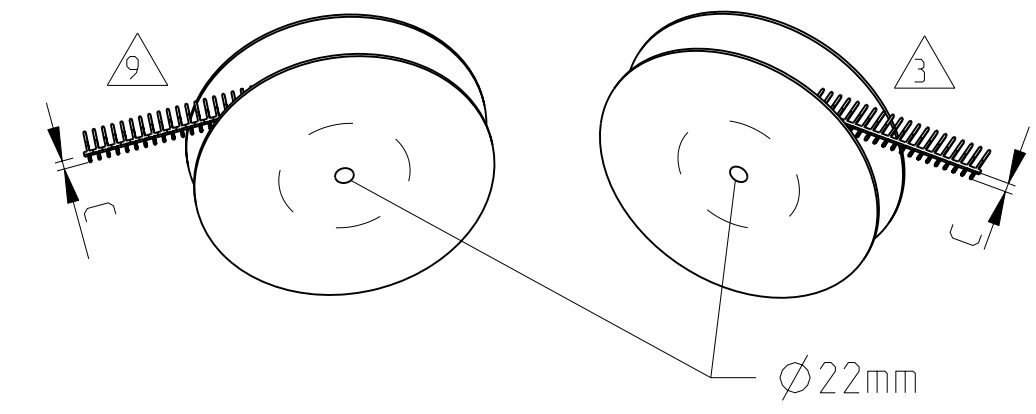
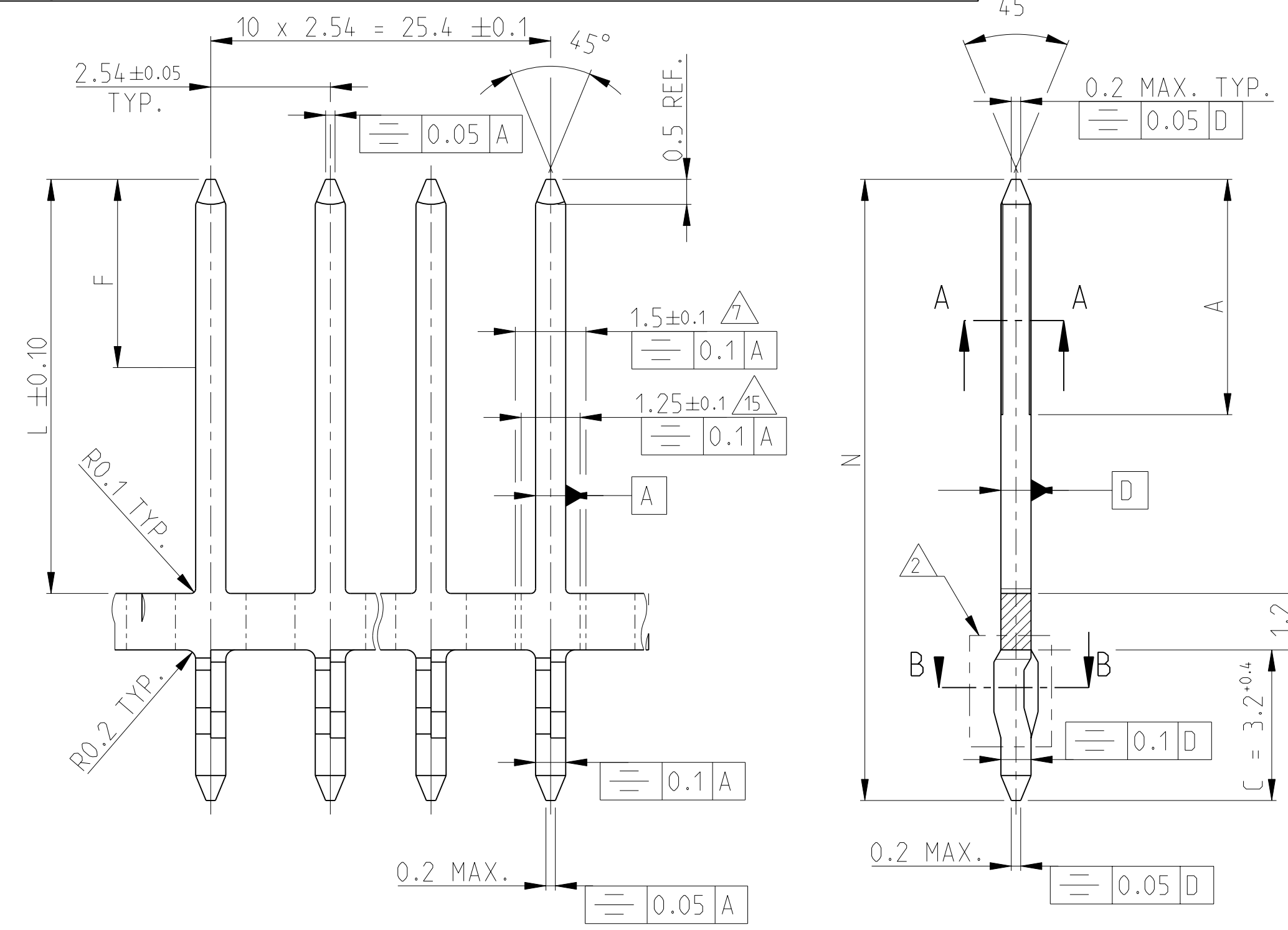
Email & Skype: info@chipsmall.com Web: www.chipsmall.com

Address: A1208, Overseas Decoration Building, #122 Zhenhua RD., Futian, Shenzhen, China



THIS DRAWING IS UNPUBLISHED - RELEASED FOR PUBLICATION 2007
 © COPYRIGHT 2007 - ALL RIGHTS RESERVED.

LOC		DIST		REVISIONS			
P	LTR	DESCRIPTION	DATE	DWN	APVD		
A1	-						
	Y3	REVISED PER ECO-09-026495	17DEC09	KK	AEK		
	Y4	REVISED PER ECR-10-026307	07JUN11	KK	HMR		



1 IM BEREICH F 0.8 µm GOLD ÜBER 1.2 µm NICKEL IM BEREICH N;
 IM BEREICH C 5 µm ZINN ÜBER 1.2 µm NICKEL

2 EINPRESSZONE FÜR 1.6mm LEITERPLATTE
 ANFORDERUNG AN DIE LEITERPLATTENBOHRUNG

PLATTIERTES LOCH: BOHR-Ø: 1.0 ± 0.025
 Cu-DICKE: 25 - 50 µm
 Sn-DICKE: 4 - 10 µm
 FERTIGLOCH-Ø: 0.9 ± 0.07

NICHT PLATTIERTES LOCH: BOHR-Ø: 1.0 ± 0.025
 ZUM LÖTEN

ALTERNATIV-PLATING:
 Cu-DICKE: 25 - 50 µm
 Ni-DICKE: 1.3 - 5 µm
 Au-DICKE: 0.05 - 0.2 µm

9 3 ROLLENEINHEIT 50.000 STIFTE, ROLLEN-Ø 600mm
 ROLLENDICKE SIEHE TABELLE

4 LÖTBARKEIT NACH IEC 60068 - 2 - 20; PRÜFUNG Ta

5 IM BEREICH N 5 µm ZINN ÜBER 1.2 µm NICKEL

6 IM BEREICH F 1-2 µm ZINN; IM BEREICH C 5 µm ZINN
 ÜBER JE 1.2 µm NICKEL

15 7 SCHNITTSTELLE FÜR EINZELSTIFT BEIM EINSETZEN IN PCB
 MAß IST DURCH WERKZEUG AN DER JEWELIGEN
 EINSETZMASCHINE VORGEGBEN

8 1000 STIFTE IN STOßSICHERE SCHACHTEL VERPACKT
 UND MIT DECKEL VERSCHLOSSEN

10 IM BEREICH N MIN. 2.5 µm ZINN ÜBER 1.2 µm NICKEL

12 IM BEREICH N 1-2 µm ZINN ÜBER 1.2 µm NICKEL

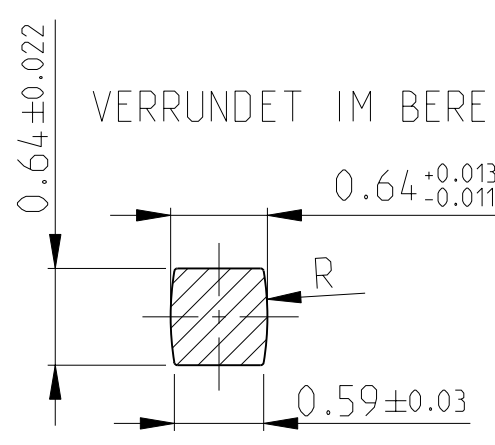
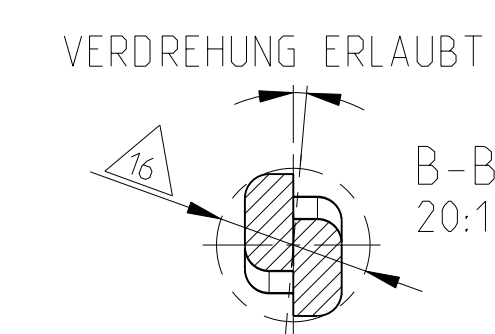
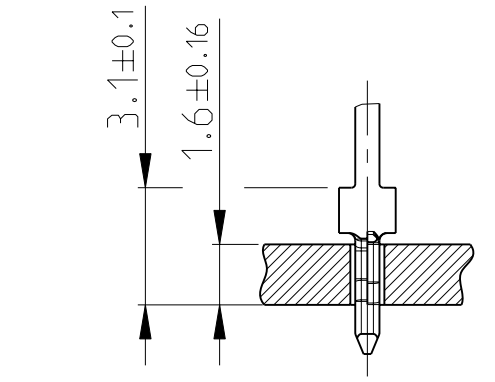
13 IM BEREICH F 2-4 µm ZINN ÜBER NICKEL IM BEREICH N;
 IM BEREICH C MIN. 1.2 µm ZINN ÜBER NICKEL

14 IM BEREICH F 0.8 µm GOLD ÜBER 1.2 µm NICKEL IM BEREICH N;
 IM BEREICH C 1.3-2.5 µm ZINN ÜBER 1.2 µm NICKEL

17 OBSOLETE PARTS: OBSOLETE CIS STREAMLINING PER D.RENAUD/D.SINISI

18 OBSOLETE

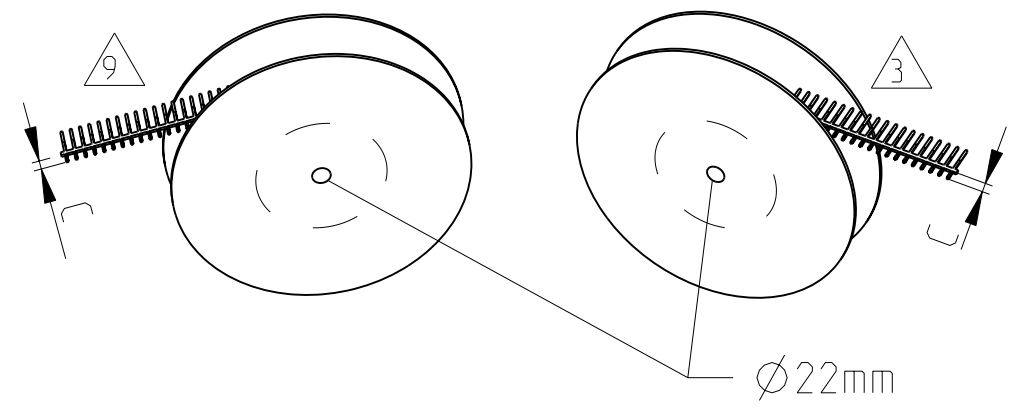
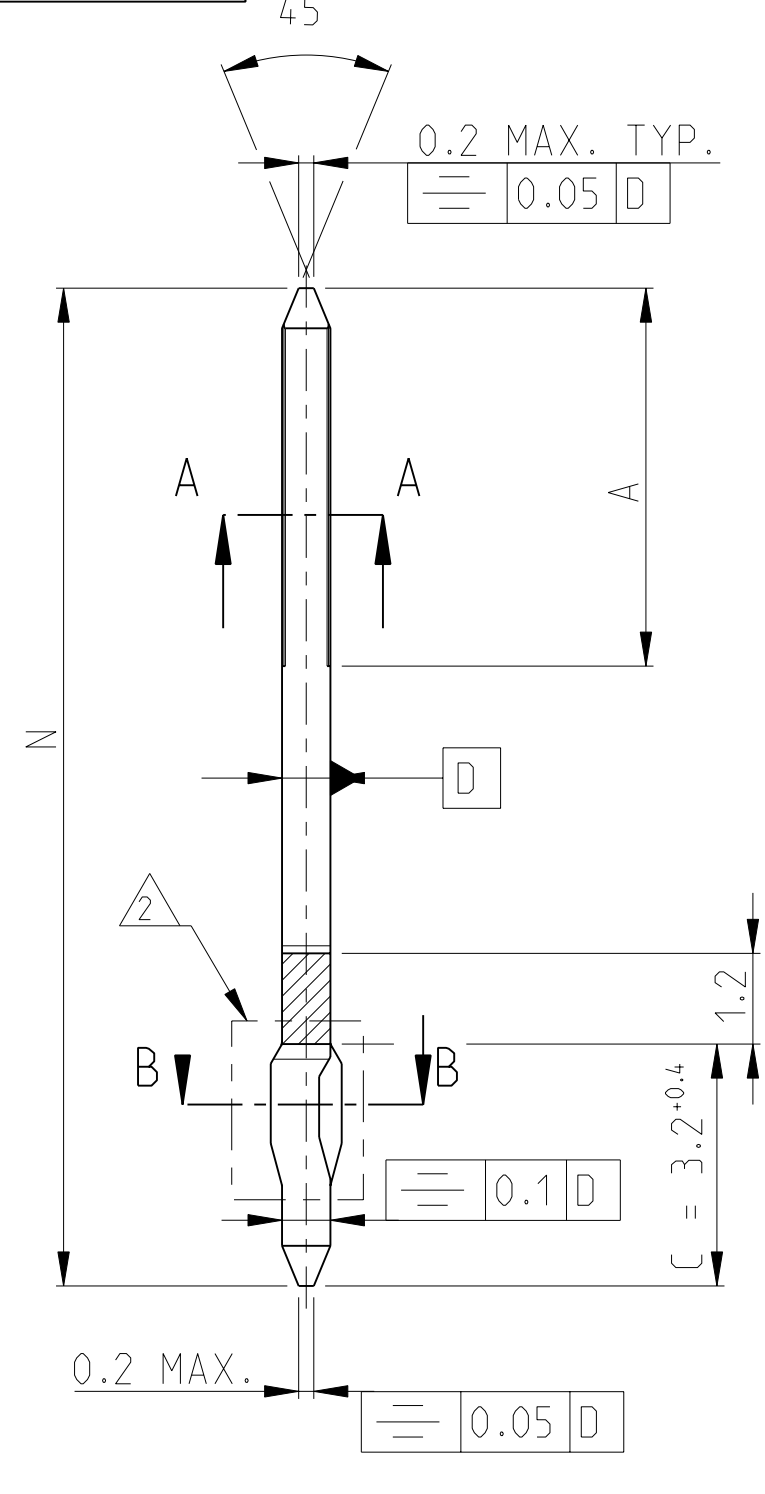
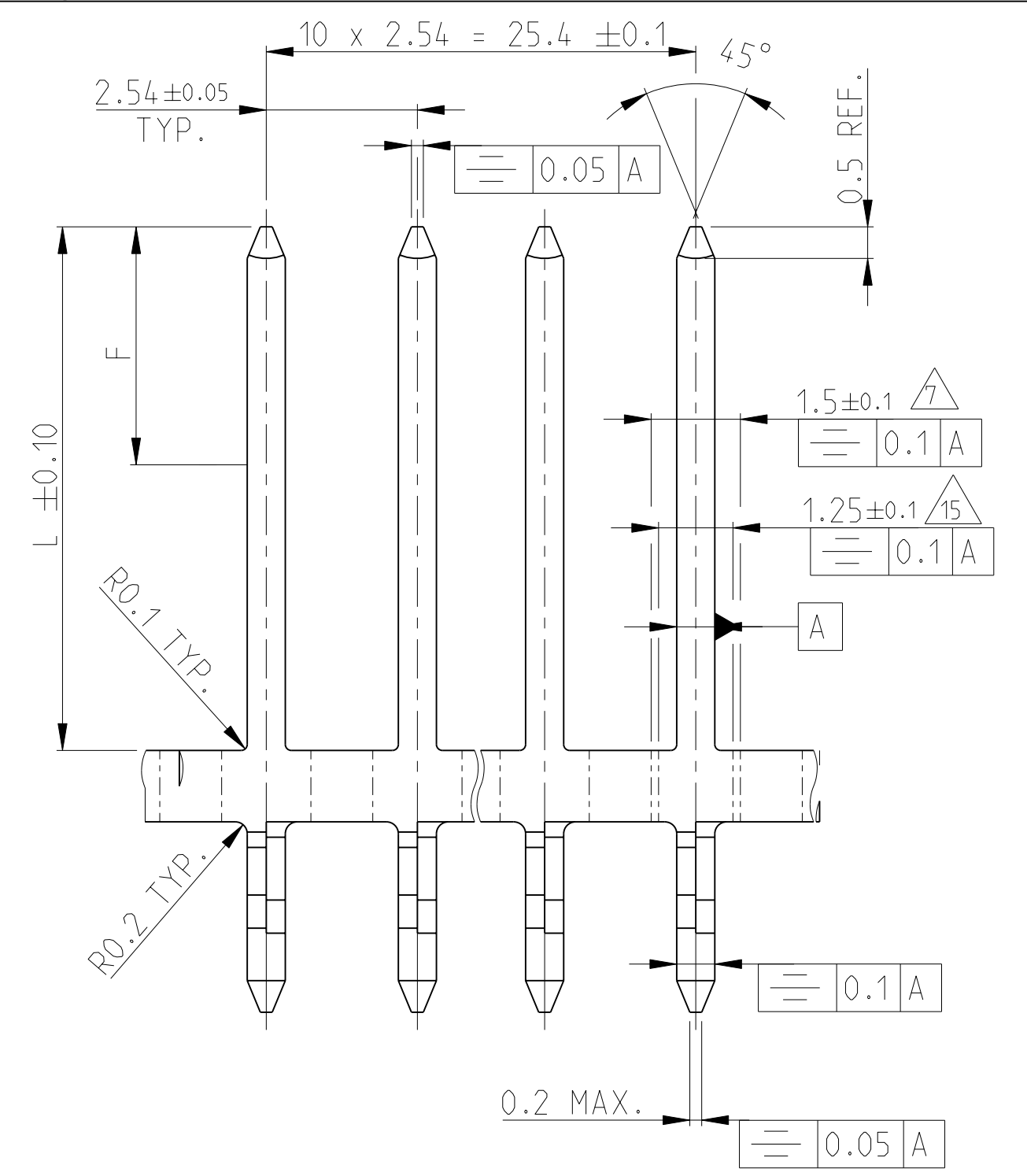
1	6.0	5.5	6.25	5-928776-8	4	-	30	Ø1.05±0.04
	6.7	6.7	7.05	5-928776-6		-	30	
13	8.0	8.0	16.8	2-928776-7		2-928836-7	44	
	11.4	11.2	12.4	2-928776-6		2-928836-6	35	
1	8.5	5.5	8.8	5-928776-4	7	5-928836-4	32	
	8.5	6.0	8.8	3-928776-4	4	3-928836-4	32	
6	6.7	6.7	7.05	3-928776-2		3-928836-2	30	
	4.8	-	5.6	2-928776-5	8	2-928836-5	30	
12	8.0	-	10.8	2-928776-3		2-928836-3	35	
10	6.7	-	7.05	2-928776-2		2-928836-2	30	
	19.0	-	20.1	2-928776-1	8	2-928836-1	44	
5	6.0	5.5	6.25	2-928776-0	4	2-928836-0	30	Ø1.13±0.06
	4.0	-	4.0	1-928776-9		1-928836-9	30	
10	6.0	-	8.3	1-928776-8	7	1-928836-8	32	
	8.0	8.0	16.8	1-928776-7	4	1-928836-7	44	
1	11.4	-	12.4	1-928776-6		1-928836-6	35	
	4.8	4.8	5.6	1-928776-5		1-928836-5	30	
14	8.5	8.5	8.8	1-928776-4		1-928836-4	32	
	8.0	8.0	10.8	1-928776-3		1-928836-3	35	
	6.7	6.7	7.05	1-928776-2		1-928836-2	30	
1	19.0	19.0	20.1	1-928776-1	4	1-928836-1	44	



DIMENSIONS:		TOLERANCES UNLESS OTHERWISE SPECIFIED:		MATERIAL		FINISH		APPLIC. SPEC		WEIGHT		SCALE		SHEET		REV.	
mm		0 PLC ±0.2 1 PLC ±0.2 2 PLC ±0.2 3 PLC ± 4 PLC ±		-		-		-		-		10:1		1 OF 2		Y4	

THIS DRAWING IS UNPUBLISHED - RELEASED FOR PUBLICATION 2007
 © COPYRIGHT 2007 - ALL RIGHTS RESERVED.

LOC		DIST		REVISIONS			
P	LTR	DESCRIPTION	DATE	DWN	APVD		
A	I	-	-	-	-	-	-
						SEE SHEET 1	



1 AT AREA F 0.8 µm GOLD OVER 1.2 µm NICKEL AT AREA N;
 AT AREA C 5 µm TIN OVER 1.2 µm NICKEL

2 PRESS-IN AREA FOR 1.6mm PCB REQUIREMENTS FOR PCB HOLE

PLATED HOLE:
 DRILL-Ø: 1.0 ± 0.025
 Cu-THICKN.: 25 - 50 µm
 Sn-THICKN.: 4 - 10 µm
 FINISHED HOLE-Ø: 0.9 ± 0.07

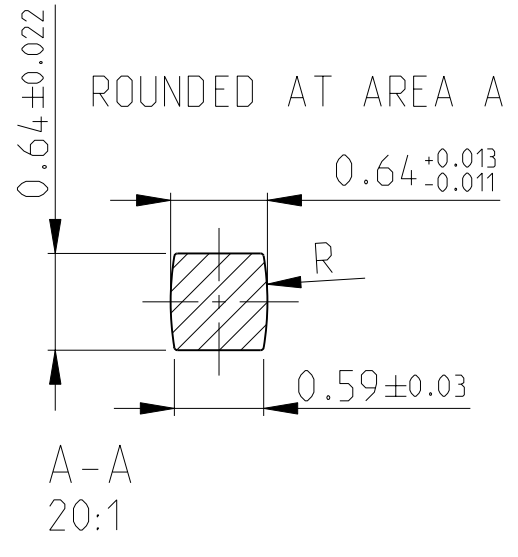
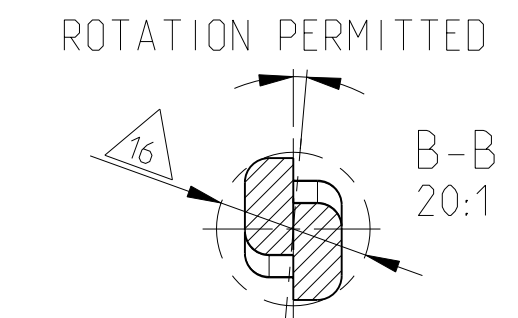
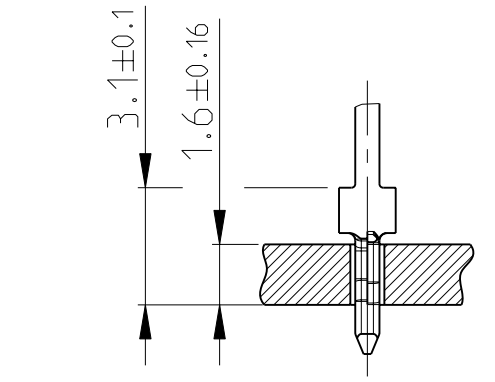
UNPLATED HOLE:
 DRILL-Ø: 1.0 ± 0.025
 FOR SOLDER APPLICATION

ALTERNATIVE-PLATING:
 Cu-THICKN.: 25 - 50 µm
 Ni-THICKN.: 1.3 - 5 µm
 Au-THICKN.: 0.05 - 0.2 µm

- 9 REEL UNIT 50.000 PIECES, REEL-Ø 600mm
 REEL THICKNESS SEE TABLE
- 4 SOLDEABILITY ACC. TO IEC 60068 - 2 - 20; TEST Ta
- 5 AT AREA N 5 µm TIN OVER 1.2 µm NICKEL
- 6 AT AREA F 1-2 µm TIN; AT AREA C 5 µm TIN OVER 1.2 µm NICKEL
- 15 CUT AREA FOR LOOSE PIECE PARTS DURING THE STITCHING INTO PCB
 DIMENSION IS DETERMINED BY THE TOOL OF THE STITCHING MACHINE

- 8 1000 PIECES ARE PACKED INTO SHOCK-PROOF BOX AND CLOSED WITH COVER
- 10 AT AREA N MIN. 2.5 µm TIN OVER 1.2 µm NICKEL
- 12 AT AREA N 1-2 µm TIN OVER 1.2 µm NICKEL
- 13 AT AREA F 2-4 µm TIN OVER NICKEL AT AREA N;
 AT AREA C MIN. 1.2 µm TIN OVER NICKEL
- 14 AT AREA F 0.8 µm GOLD OVER 1.2 µm NICKEL AT AREA N;
 AT AREA C 1.3-2.5 µm TIN OVER 1.2 µm NICKEL
- 17 OBSOLETE PARTS: OBSOLETE CIS STREAMLINING PER D.RENAUD/D.SINISI
- 18 OBSOLETE

SURFACE	DIMENSION			ORDER NO. (STRIP)	ORDER NO. (LOOSE PIECE)	REEL THICKN.	ENVELOPE CIRCLE
	A	F	L				
1	6.0	5.5	6.25	5-928776-8	-	30	Ø1.05±0.04
	6.7	6.7	7.05	5-928776-6	-	30	
13	8.0	8.0	16.8	2-928776-7	2-928836-7	44	
1	11.4	11.2	12.4	2-928776-6	2-928836-6	35	
	8.5	5.5	8.8	5-928776-4	5-928836-4	32	
6	8.5	6.0	8.8	3-928776-4	3-928836-4	32	
	6.7	6.7	7.05	3-928776-2	3-928836-2	30	
12	4.8	-	5.6	2-928776-5	2-928836-5	30	
10	8.0	-	10.8	2-928776-3	2-928836-3	35	
5	6.7	-	7.05	2-928776-2	2-928836-2	30	
10	19.0	-	20.1	2-928776-1	2-928836-1	44	
1	6.0	5.5	6.25	2-928776-0	2-928836-0	30	Ø1.13±0.06
	4.0	-	4.0	1-928776-9	1-928836-9	30	
	6.0	-	8.3	1-928776-8	1-928836-8	32	
1	8.0	8.0	16.8	1-928776-7	1-928836-7	44	
10	11.4	-	12.4	1-928776-6	1-928836-6	35	
	4.8	4.8	5.6	1-928776-5	1-928836-5	30	
14	8.5	8.5	8.8	1-928776-4	1-928836-4	32	
	8.0	8.0	10.8	1-928776-3	1-928836-3	35	
1	6.7	6.7	7.05	1-928776-2	1-928836-2	30	
	19.0	19.0	20.1	1-928776-1	1-928836-1	44	



THIS DRAWING IS A CONTROLLED DOCUMENT.		DWN A. HOFFMANN 15 JUN 1986	TE Connectivity
DIMENSIONS: mm		CHK M. SCHAARSCHMIDT 15 JUN 1986	
TOLERANCES UNLESS OTHERWISE SPECIFIED:		APVD G. FELDMER 15 JUN 1986	NAME AMPMODU II ACTION PIN FOR HOLE DIAMETER 0.9mm
0 PLC ±0.2	1 PLC ±0.2	PRODUCT SPEC	SIZE A2
2 PLC ±0.2	3 PLC ±	APPLICATION SPEC	CAGE CODE 00779
4 PLC ±	ANGLES ±°	WEIGHT	DRAWING NO. 928776
MATERIAL	FINISH	CUSTOMER DRAWING	RESTRICTED TO
		SCALE 10:1	SHEET 2 OF 2