



Chipsmall Limited consists of a professional team with an average of over 10 year of expertise in the distribution of electronic components. Based in Hongkong, we have already established firm and mutual-benefit business relationships with customers from,Europe,America and south Asia,supplying obsolete and hard-to-find components to meet their specific needs.

With the principle of "Quality Parts,Customers Priority,Honest Operation,and Considerate Service",our business mainly focus on the distribution of electronic components. Line cards we deal with include Microchip,ALPS,ROHM,Xilinx,Pulse,ON,Everlight and Freescale. Main products comprise IC,Modules,Potentiometer,IC Socket,Relay,Connector.Our parts cover such applications as commercial,industrial, and automotives areas.

We are looking forward to setting up business relationship with you and hope to provide you with the best service and solution. Let us make a better world for our industry!



Contact us

Tel: +86-755-8981 8866 Fax: +86-755-8427 6832

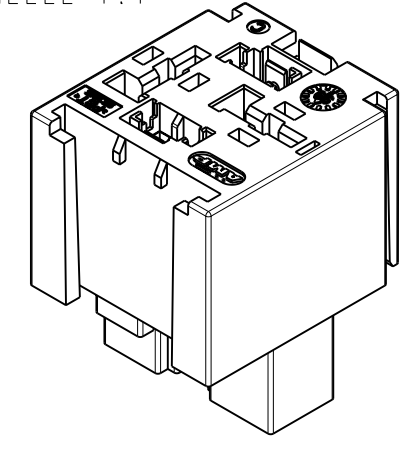
Email & Skype: info@chipsmall.com Web: www.chipsmall.com

Address: A1208, Overseas Decoration Building, #122 Zhenhua RD., Futian, Shenzhen, China



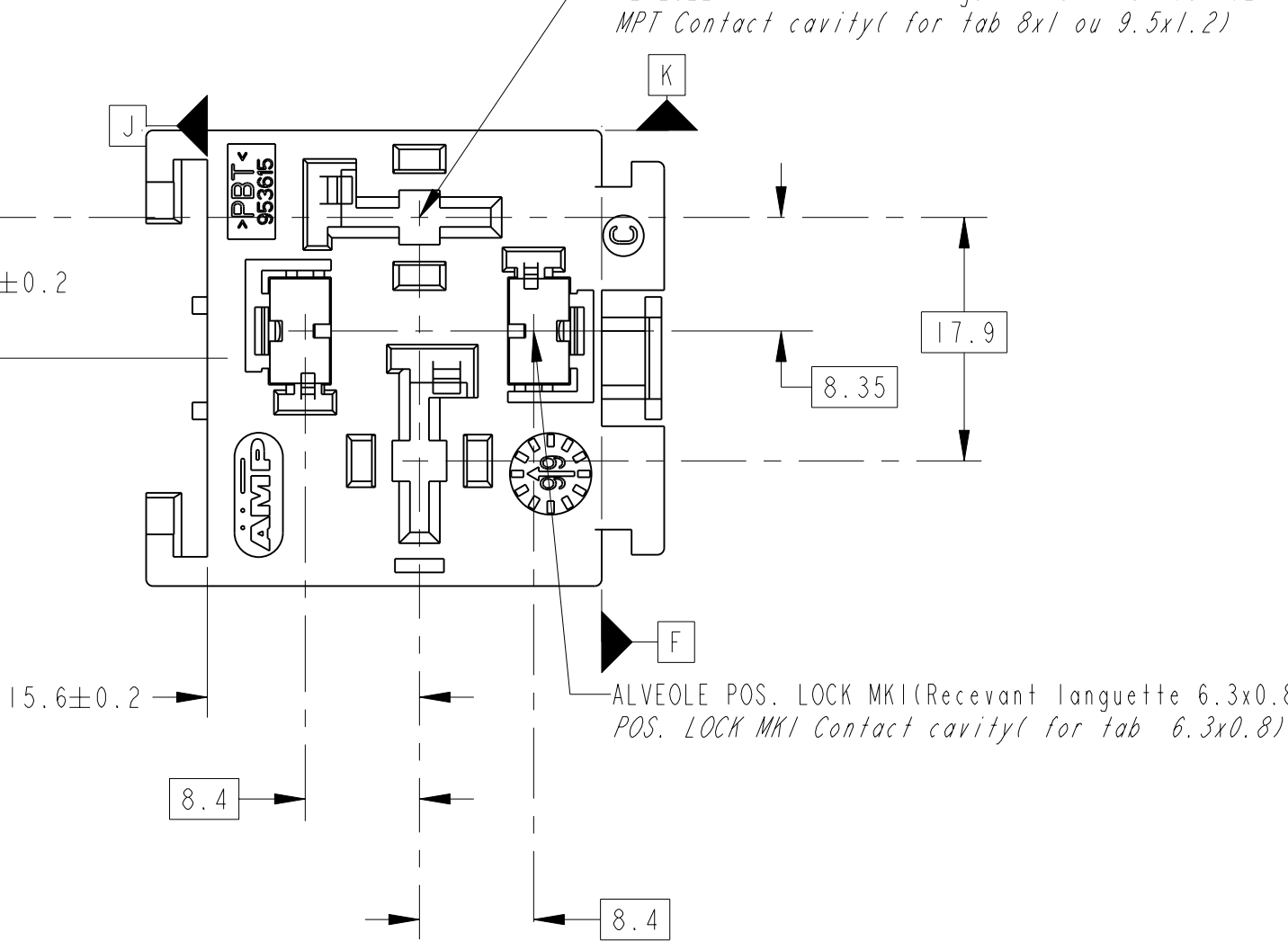
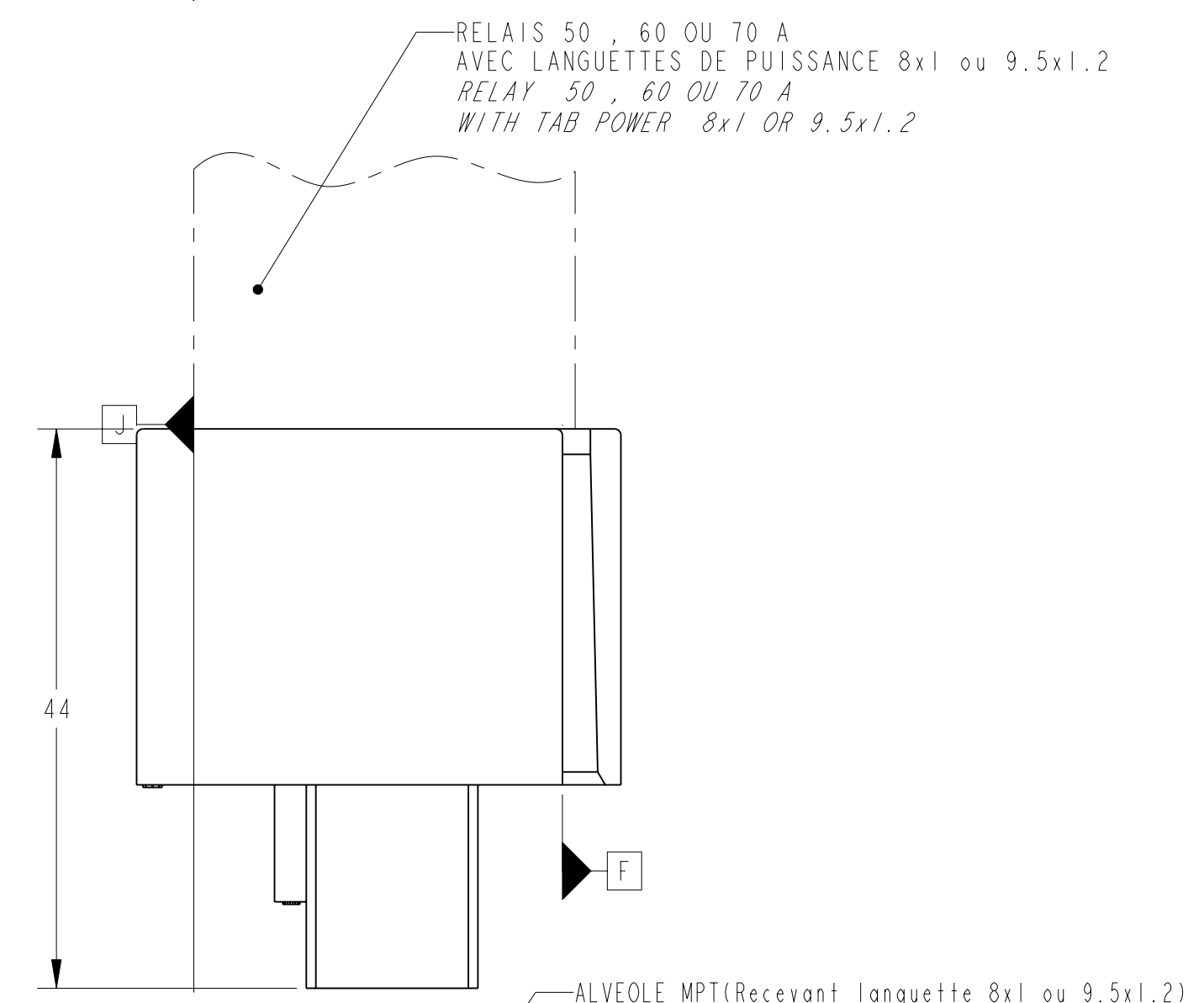
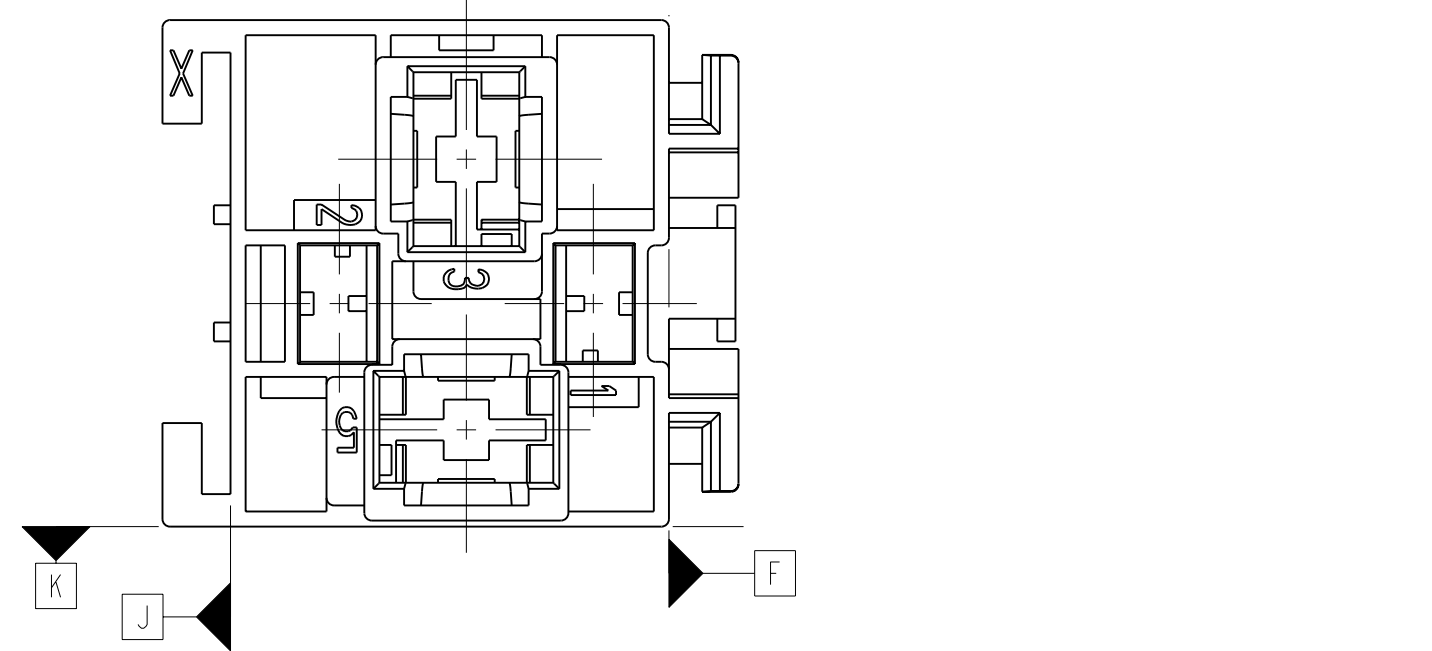
**MODULE SUPPORT RELAIS
AVEC ALVEOLES DE PUISSANCE
POUR CONTACT
"MAXI POWER TIMER"**

ECHELLE 1:1



**HOLDER FOR RELAY
WITH POWER CAVITY
FOR TERMINAL
"MAXI POWER TIMER"**

MASSE : 19,9 weight: 19g	NOIR BLACK	Support Relais 70A CONTACT MPT Holder for relay 70A MPT TERMINAL	2-953615-2
	NATUREL NATURAL	Support Relais 70A CONTACT MPT Holder for relay 70A MPT TERMINAL	2-953615-1
	VIOLET PURPLE	Support Relais 50-60A CONTACT SPT Holder for relay 50-60A SPT TERMINAL	1-953615-2
	ROUGE RED	Support Relais 50-60A CONTACT SPT Holder for relay 50-60A SPT TERMINAL	1-953615-1
	COULEUR COLOR	DESCRIPTION DESIGNATION	REFERENCE TYCO ELECTRONICS TYCO ELECTRONICS PART NUMBER



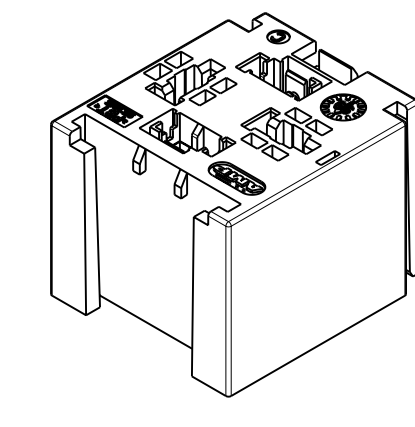
RELAIS 50, 60 OU 70 A
AVEC LANGUETTES DE PUISSANCE 8x1 ou 9.5x1.2
RELAY 50, 60 OU 70 A
WITH TAB POWER 8x1 OR 9.5x1.2

ALVEOLE MPT(Recevant languette 8x1 ou 9.5x1.2)
MPT Contact cavity(for tab 8x1 ou 9.5x1.2)

ALVEOLE POS. LOCK MK1(Recevant languette 6.3x0.8)
POS. LOCK MK1 Contact cavity(for tab 6.3x0.8)

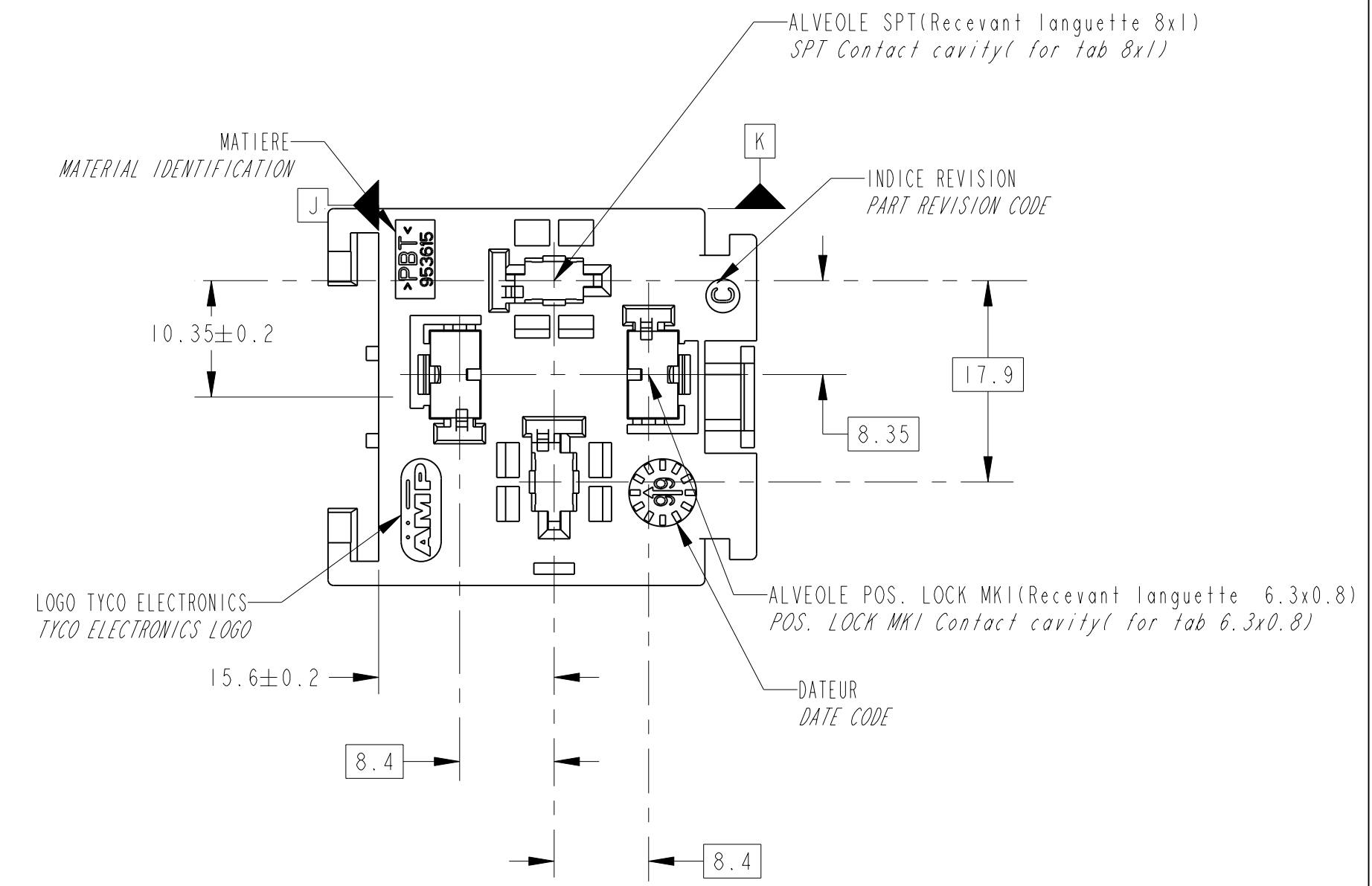
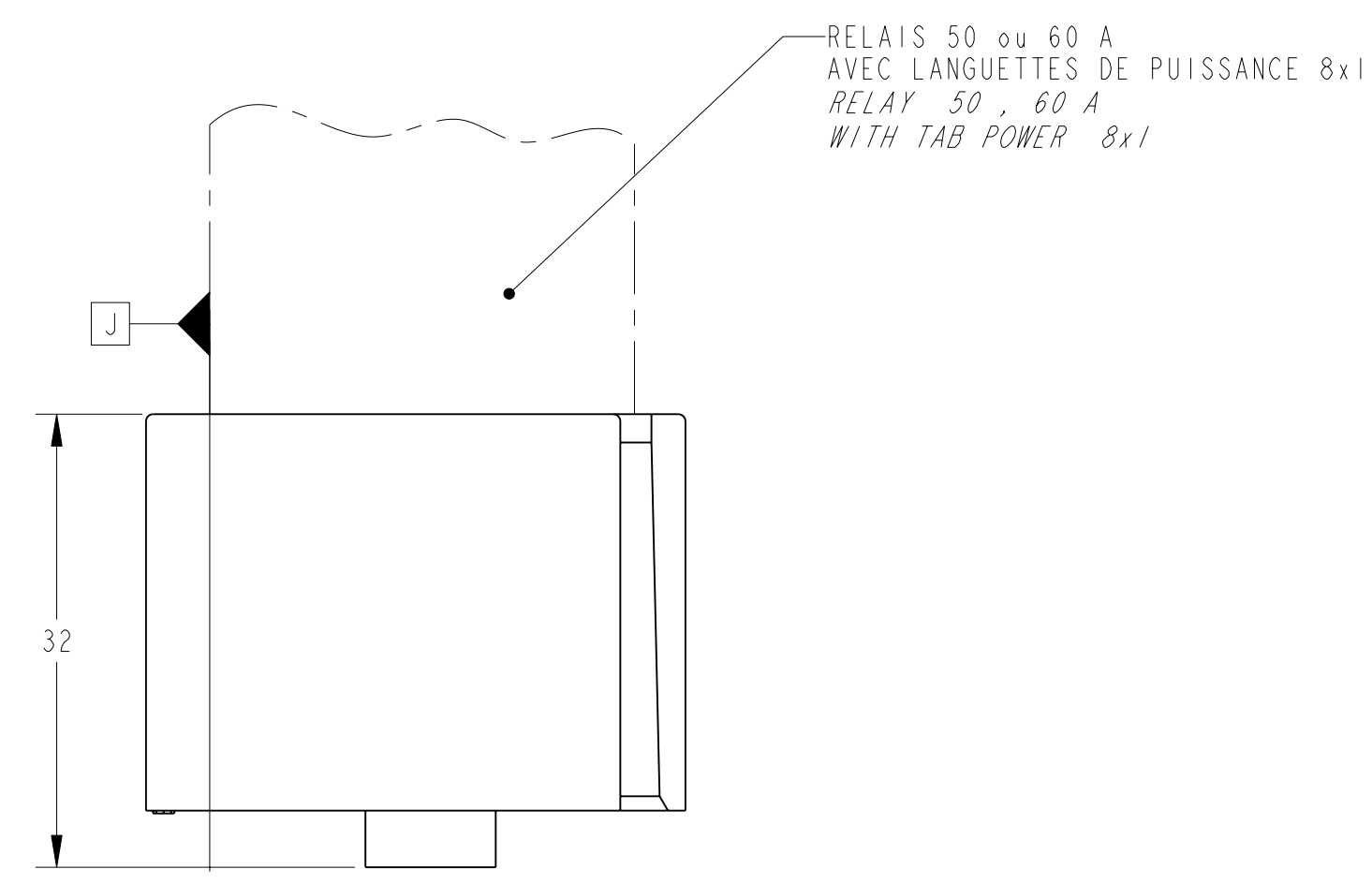
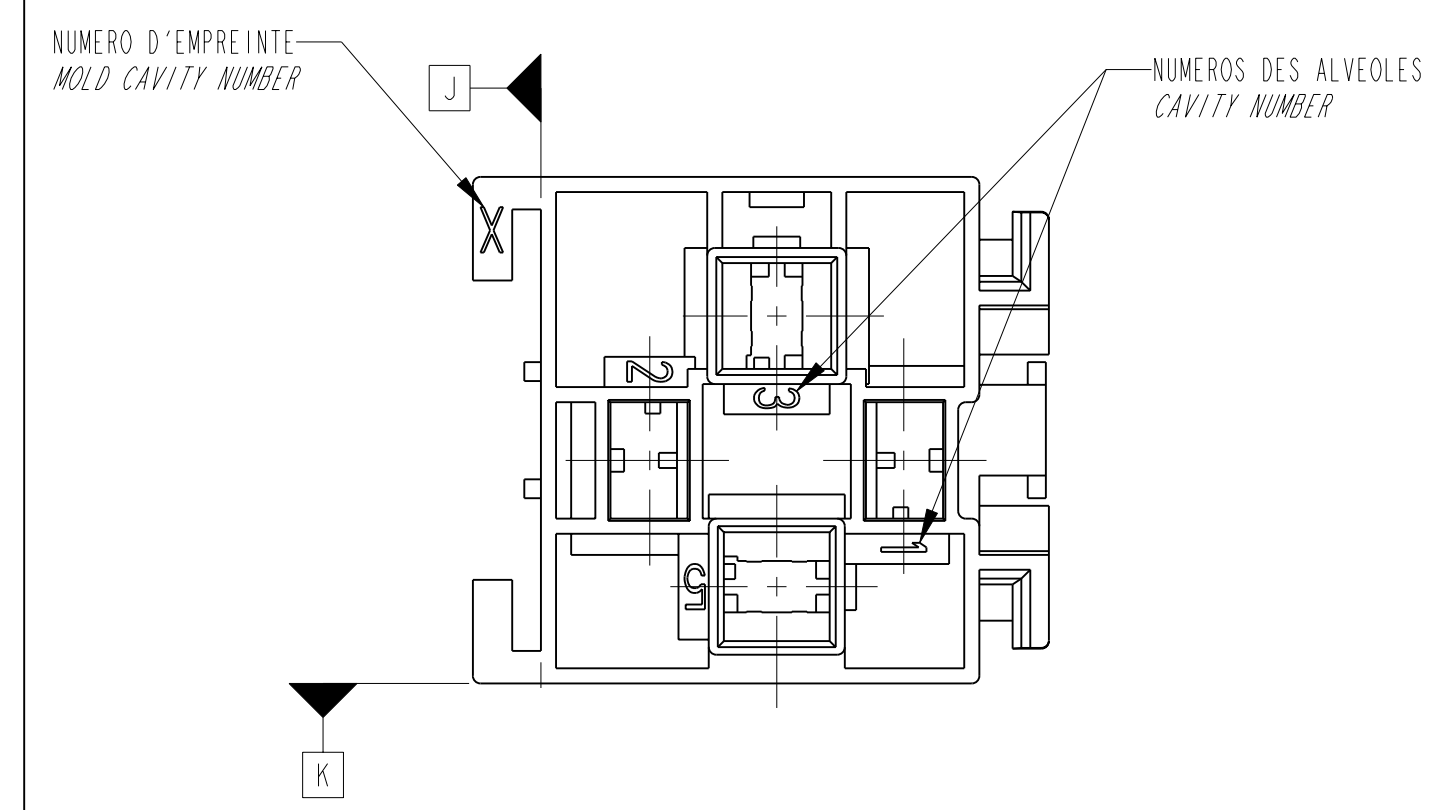
**MODULE SUPPORT RELAIS
AVEC ALVEOLES DE PUISSANCE
POUR CONTACT
"STANDARD POWER TIMER"**

ECHELLE 1:1



**HOLDER FOR RELAY
WITH POWER CAVITY
FOR TERMINAL
"STANDARD POWER TIMER"**

MASSE : 16,9 weight: 16g	VIOLET PURPLE	Support Relais 50-60A CONTACT SPT Holder for relay 50-60A SPT TERMINAL	953615-2
	ROUGE RED	Support Relais 50-60A CONTACT SPT Holder for relay 50-60A SPT TERMINAL	953615-1
	COULEUR COLOR	DESCRIPTION DESIGNATION	REFERENCE TYCO ELECTRONICS TYCO ELECTRONICS PART NUMBER

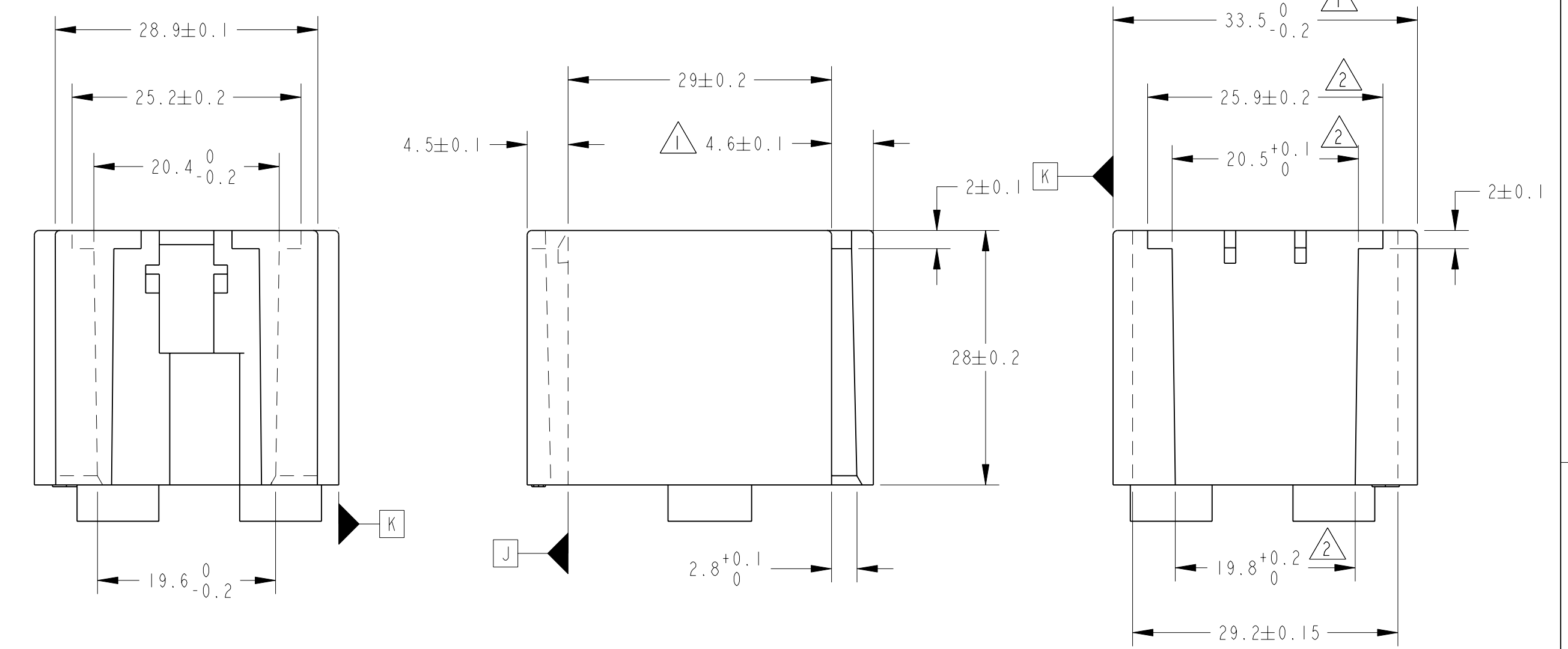


RELAIS 50 ou 60 A
AVEC LANGUETTES DE PUISSANCE 8x1
RELAY 50, 60 A
WITH TAB POWER 8x1

ALVEOLE SPT(Recevant languette 8x1)
SPT Contact cavity(for tab 8x1)

ALVEOLE POS. LOCK MK1(Recevant languette 6.3x0.8)
POS. LOCK MK1 Contact cavity(for tab 6.3x0.8)

LOC	DIST	REVISIONS	DATE	DWN	APP
F	7	DESCRIPTION MODIFICATIONS			
		D TRADUCTION LEGENDES DU PLAN EN ANGLAIS	03MAR2011	PB	JP P



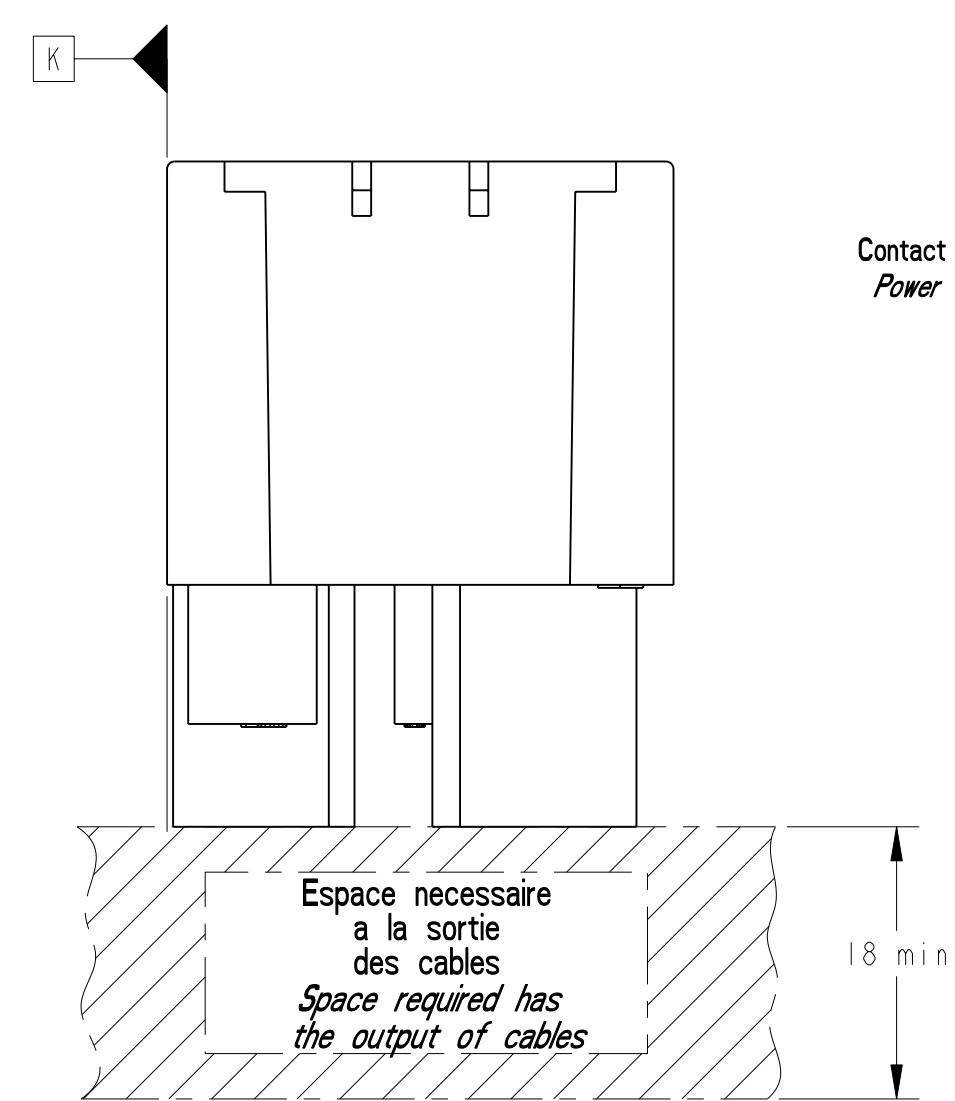
- NOTES:
- 1 PINCEMENT ADMIS: 0.2 MAX PINCHING ACCEPTED: 0.2 MAX
 - 2 PINCEMENT ADMIS: 0.25 MAX PINCHING ACCEPTED: 0.25 MAX

CLIPS POUVANT ETRE UTILISES RECEPTACLE TO BE USE	
DESCRIPTION	REFERENCE TYCO ELECTRONICS TYCO ELECTRONICS PART NUMBER
POS. LOCK MK1 0.5-1.5mm ²	160759-3
POS. LOCK MK1 0.7-2mm ²	154718-3
POS. LOCK MK1 2.5-4mm ²	154717-3
SPT 5-7mm ²	185283-1
MPT 4-6mm ²	962930-1
MPT 6-10mm ²	962932-1

Alimentation de la Bobine
Power of self induction

Contact de Puissance pour module Ref : 953615-x
Power Terminal for relay holder Ref : 953615-x

Contact de Puissance pour module Ref : 1-953615-x et 2-953615-x
Power Terminal for relay holder Ref : 1-953615-x et 2-953615-x



INTERFACE POUR LA FIXATION DES MODULES SUPPORT RELAIS : 208-15540
INTERFACE FOR FIXING RELAY HOLDER : 208-15540

RELAY HOLDER
50 60 AND 70 A
SPT / MPT TERMINAL

THIS DRAWING IS A CONTROLLED DOCUMENT. CE PLAN EST UN DOCUMENT CONTROLÉ PAR AMF INCORPORATED. SI EST DISCIPLINÉ EN TOUTE MODIFICATION, CONSULTER LE SERVICE DIMENSIONS: TOLERANCES UNLESS OTHERWISE SPECIFIED: DIMENSIONS IN MILLIMETERS: TOLERANCES UNLESS OTHERWISE SPECIFIED: DECIMALS: 0.1mm (0.004")		DWG/DESIGN: 16APR99 CHK/REVISE: J. J. DE VILLIERS APPV/ APPROVE: JP. PICAUD	NAME: J. PICAUD
MATERIAL/MATIERE: PBT		FINISH/FINITION: VOIR TABLEAU	WEIGHT: 19.9g
SPEC. PRODUCT: 108-15208		SPEC. APPLICATION: 411-15620	SIZE: 108-15208
CAGE CODE: 953615		DRAWING NO: 953615	REVISION: 7
CUSTOMER DRAWING		UNIFORMITY SCALE: 2:1	SHEET: 1 OF 1