



Chipsmall Limited consists of a professional team with an average of over 10 year of expertise in the distribution of electronic components. Based in Hongkong, we have already established firm and mutual-benefit business relationships with customers from,Europe,America and south Asia,supplying obsolete and hard-to-find components to meet their specific needs.

With the principle of “Quality Parts,Customers Priority,Honest Operation,and Considerate Service”,our business mainly focus on the distribution of electronic components. Line cards we deal with include Microchip,ALPS,ROHM,Xilinx,Pulse,ON,Everlight and Freescale. Main products comprise IC,Modules,Potentiometer,IC Socket,Relay,Connector.Our parts cover such applications as commercial,industrial, and automotives areas.

We are looking forward to setting up business relationship with you and hope to provide you with the best service and solution. Let us make a better world for our industry!



## Contact us

Tel: +86-755-8981 8866 Fax: +86-755-8427 6832

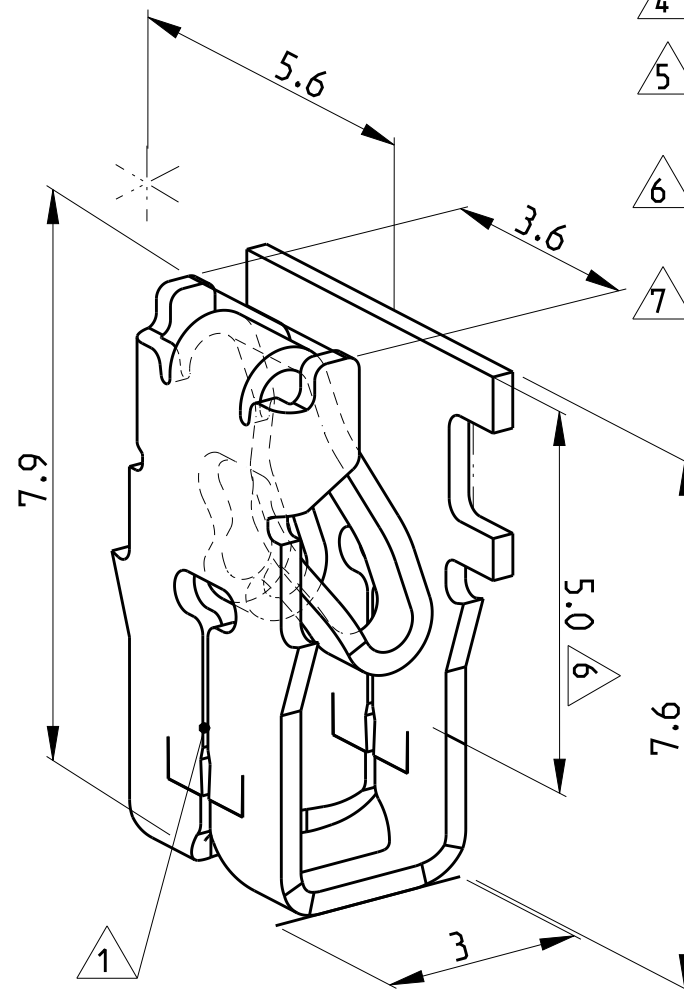
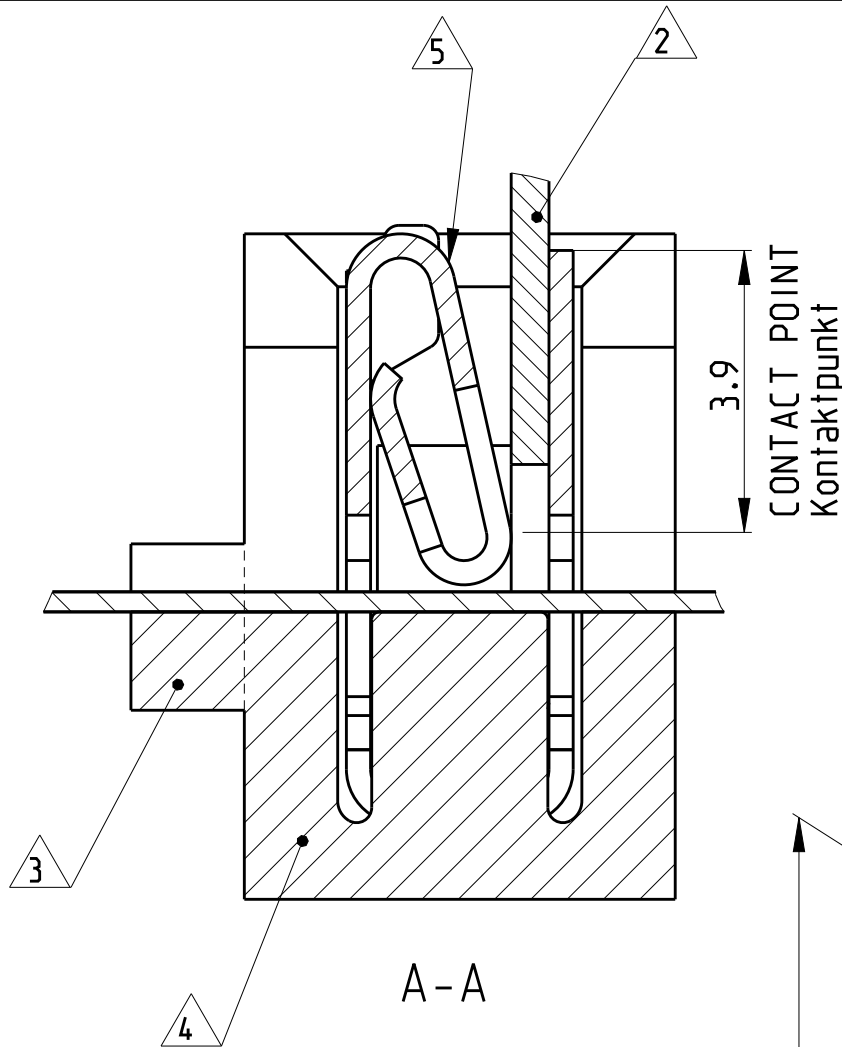
Email & Skype: info@chipsmall.com Web: www.chipsmall.com

Address: A1208, Overseas Decoration Building, #122 Zhenhua RD., Futian, Shenzhen, China



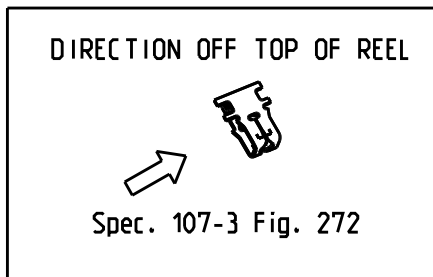
THIS DRAWING IS UNPUBLISHED  
RELEASED FOR PUBLICATION 2008  
TE CONNECTIVITY ALL RIGHTS RESERVED.

LOC	DIST	REVISIONS					
		P	LTR	DESCRIPTION	DATE	DWN	APVD
IR	-		E8	PN 3-964337-7 ADDED	19APR2013	PKS	RRP
			E9	PN 3-964337-2 ADDED	30OCT2013	PKS	RRP
			E10	OVERALL HEIGHT DIMENSIONS ADDED	14FEB2014	PKS	RRP
			E11	INTERLAYER PAPER DETAILS ARE UPDATED	03OCT2016	SV	PKS



- 1 SLOT ACCEPTS SINGLE OR DOUBLE MAGNET WIRE  
SAME DIAMETERS  $\varnothing 0.18 \dots 0.265 \text{mm}$   
Kontakt geeignet fuer  
Lackdraht  $\varnothing 0.18 \dots 0.265 \text{mm}$   
(Einzeldraht oder zwei Draehnte gleichen Durchmessers)
- 2 POKE IN TAB TERMINAL 3.4x0.5mm  
Poke in Flachstecker 3.4x0.5mm
- 3 AREA WILL BE CUT BY TERMINATION  
Bereich wird beim Kontaktieren abgetrennt
- 4 CAVITY ACCORDING TO TE SPEC. 411-18512  
Kontakt Kammer nach TE Spec. 411-18512
- 5 IDENTIFICATION NO. FOR MAGNET WIRE RANGE (4)  
Kennziffer fuer Lackdrahtbereich (4)
- 6 OVER THE MARKED LENGTH:  
SELECTIVE Min. 0.4  $\mu\text{m}$  GOLD OVER NI  
Ueber die gekennzeichnete Laenge:  
Selektiv Min. 0.4  $\mu\text{m}$  Gold ueber Ni
- 7 REELED WITH PAPER INTERLAYER 0-737976-1  
ON PLASTICREEL 1-725652-0  
Reeling mit Papierzwischenlage 0-737976-1  
auf Kunststoffspulen 1-725652-0
- 8 REELED WITH PAPER INTERLAYER 0-782504-1  
ON PLASTICREEL 0-725652-4  
Reeling mit Papierzwischenlage 0-782504-1  
auf Kunststoffspulen 0-725652-4
- 9 QUANTITY 15000 PCS./REEL  
Mengeinheit 15000 stk./ spule
- 10 QUANTITY 10000 PCS./REEL  
Mengeinheit 10000 stk./ spule
- 11 REELED WITH PAPER INTERLAYER 782504-9  
ON CARDBOARD REEL 1-973053-3  
Reeling mit Papierzwischenlage 782504-9  
auf Pappbandspule 1-973053-3
- 12 REELED WITH CREPE PAPER INTERLAYER 2-725600-3  
ON PLASTIC REEL 1-725652-0  
Reeling mit Sprung Papierzwischenlage 2-725600-3  
auf Kunststoffspulen 1-725652-0

NOTE	PART NO	REV.	PCS.	MATERIAL	SURFACE COLOUR
	3-964337-7	7	A	CuNiSi	FLASH GOLD OVER NICKEL
	3-964337-2	12	A	CuNiSi	PRE TINNED
	2-964337-7	8	B	CuNiSi	FLASH GOLD OVER NICKEL
	2-964337-2	7	A	CuNiSi	TIN PLATED
SUPERSEDED BY PN 2-964337-7	1-964337-7	8	A	CuNiSi	FLASH GOLD OVER NI
	1-964337-2	10	C	CuNiSi	PRE TINNED
SUPERSEDED BY PN 2-964337-7	964337-7	7	B	CuNiSi	FLASH GOLD OVER NI
	964337-3	7	C	CuZn	PRE TINNED
	964337-2	7	C	CuNiSi	PRE TINNED
	964337-1	7	B	CuNiSi	BLANK



THIS DRAWING IS A CONTROLLED DOCUMENT.

DWN Rudolph 15-03-95  
CHK H. Plösser 20-03-95  
APVD -

**STE** TE Connectivity

NAME: MAG MATE LEAF TERMINAL MARK II

PRODUCT SPEC: 108-2012  
APPLICATION SPEC: 114-2046

SIZE: A3 CAGE CODE: 00779 DRAWING NO: C-964337 RESTRICTED TO: -

MATERIAL: SEE TABLE FINISH: SEE TABLE WEIGHT: -

CUSTOMER DRAWING SCALE: 10:1 SHEET: 1 OF 1 REV: E11