



Chipsmall Limited consists of a professional team with an average of over 10 year of expertise in the distribution of electronic components. Based in Hongkong, we have already established firm and mutual-benefit business relationships with customers from,Europe,America and south Asia,supplying obsolete and hard-to-find components to meet their specific needs.

With the principle of “Quality Parts,Customers Priority,Honest Operation,and Considerate Service”,our business mainly focus on the distribution of electronic components. Line cards we deal with include Microchip,ALPS,ROHM,Xilinx,Pulse,ON,Everlight and Freescale. Main products comprise IC,Modules,Potentiometer,IC Socket,Relay,Connector.Our parts cover such applications as commercial,industrial, and automotives areas.

We are looking forward to setting up business relationship with you and hope to provide you with the best service and solution. Let us make a better world for our industry!



## Contact us

Tel: +86-755-8981 8866 Fax: +86-755-8427 6832

Email & Skype: info@chipsmall.com Web: www.chipsmall.com

Address: A1208, Overseas Decoration Building, #122 Zhenhua RD., Futian, Shenzhen, China



LOC	DIST	REVISIONS ÄNDERUNGEN				DATE	DWN	APVD
A1	-	P	LTR	DESCRIPTION BESCHREIBUNG				
PROJEKT NR.: 92-52080		F5		REVISED PER ECO-11-005150	30MAR2011	RK	HMR	

NOTES  
Bemerkungen

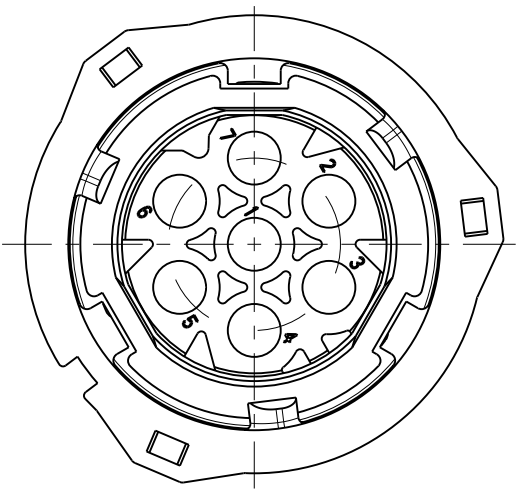
- (F4) 1 AMP oder Tyco Electronics (TE) Logo und TE CONNECTIVITY Einzelteilnummer  
AMP OR Tyco Electronics (TE) LOGO AND TE CONNECTIVITY SINGLE PART NUMBER
- 2 Werkstoffkennzeichnung  
MATERIAL MARKING
- 3 Werkzeugaenderungsindex  
REVISION OF THE MOULD
- 4 Produktionsdatum  
PRODUCTION DATE
- 5 Nestmarkierung  
CAVITY MARKING
- (F4) (F2) 6 Passend zu Geraeteanschluss 7pol. nach TE CONNECTIVITY-Zeichnung 114-18060-011 und Stiftgehäuse 7pol. TE CONNECTIVITY-PN 1718230  
FITS TO COMPONENT INTERFACE 7POS. ACC. TO TE CONNECTIVITY -DRAWING 114-18060-011 AND PIN-HOUSING 7POS. TE CONNECTIVITY-PN 1718230
- 7 Zu verwendende Kontakte und Einzeldichtungen siehe Tabellenzzeichnungen:  
FOR SUITABLE CONTACTS AND SEALS SEE DRAWINGS:
- (F4) (F3) TE CONNECTIVITY 1355063
- max. Drahtgroesse: 2.5 mm<sup>2</sup> FLR  
MAX. WIRE THICKNESS:

Es sind nur Kontakte mit Einzeldichtungen einzusetzen!  
 USE ONLY CONTACTS WITH SINGLE WIRE SEALS!

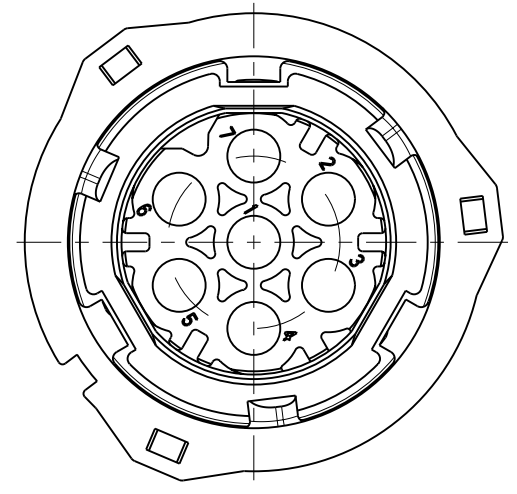
- (E1) 8 Vorstrichzahl 1- nicht auf Teil  
DASH-NO. 1- NOT ON PART

FURTHER CODINGS:  
weitere Kodierungen

CODING C  
Kodierung

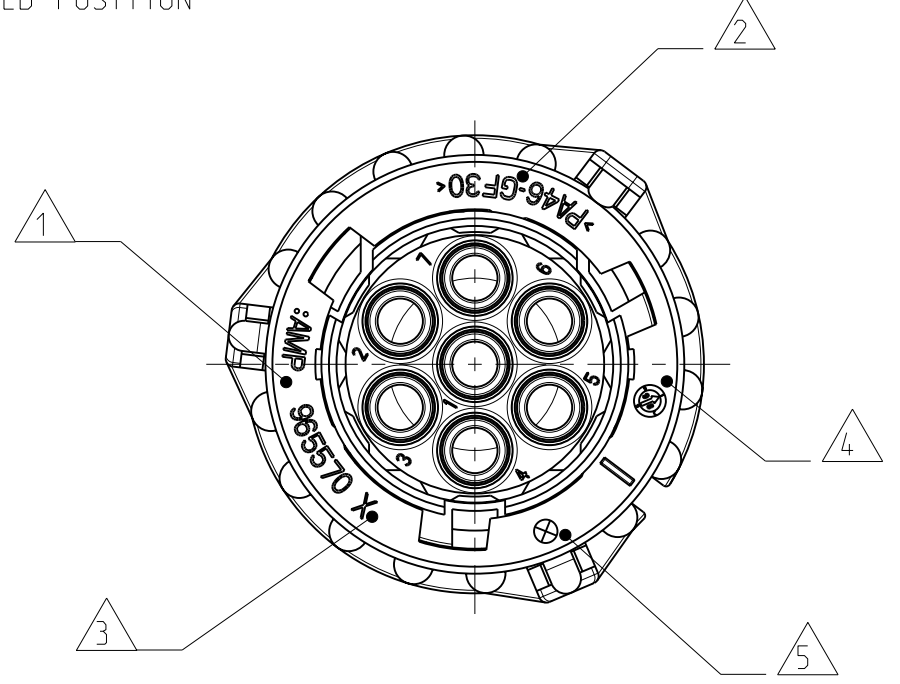


CODING B  
Kodierung

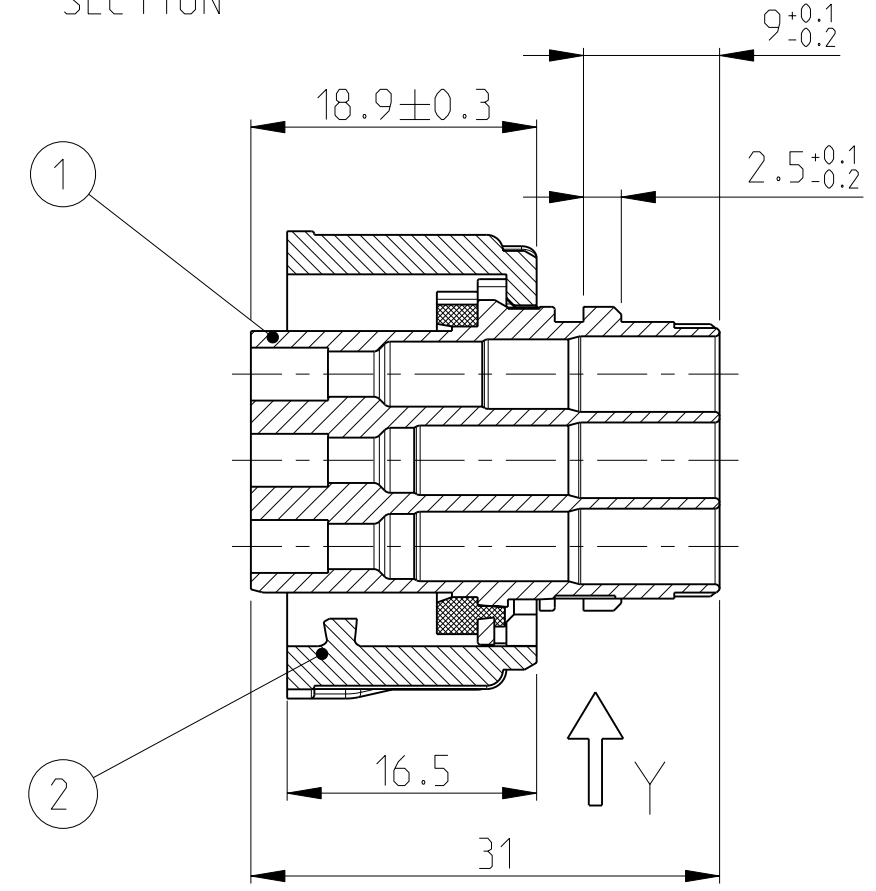


Kupplungsring in Vorraststellung

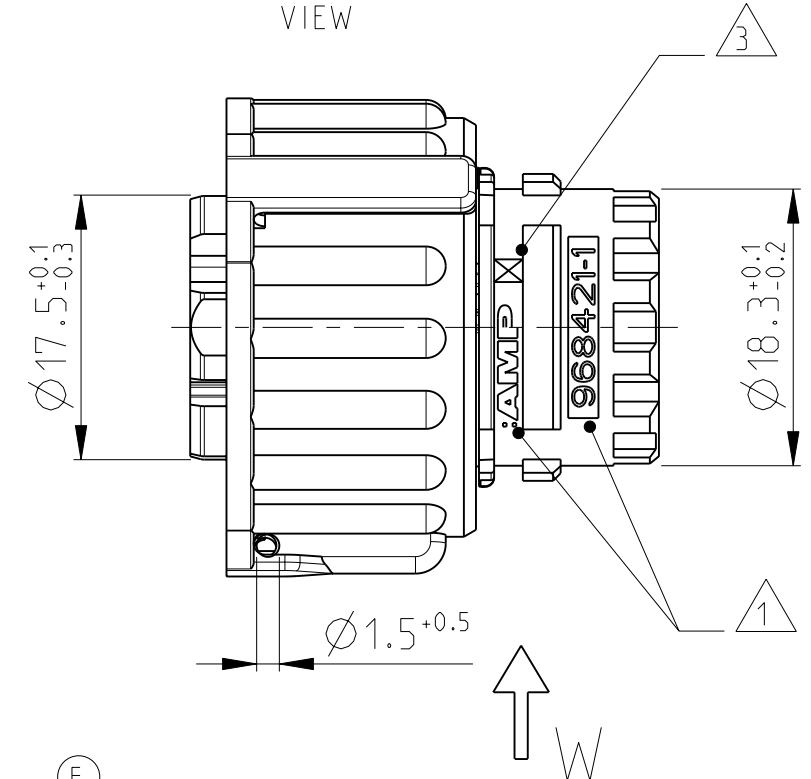
COUPLING-RING IN PRE-LOCKED POSITION



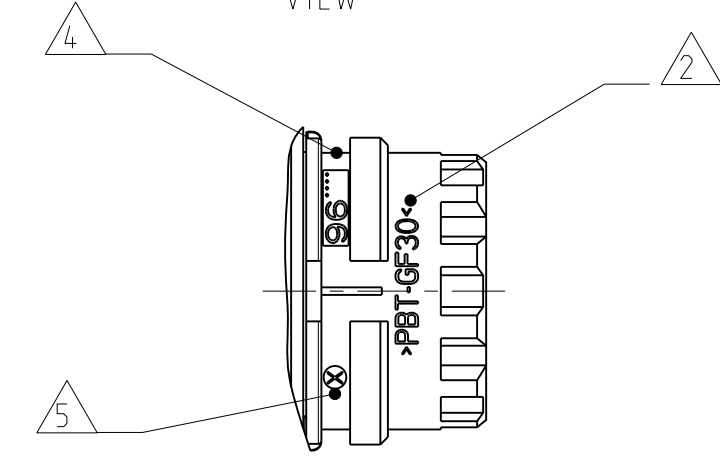
Schnitt B-B  
SECTION



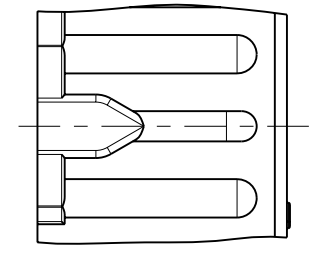
Ansicht X  
VIEW



Ansicht Y  
VIEW

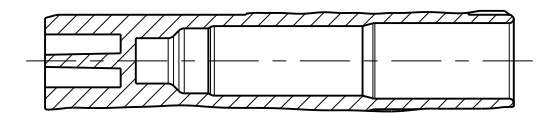


Ansicht W  
VIEW (2x)



Verschlossene Kammer in der 5pol. bzw. 6pol. Variante

CLOSED CAVITY IN THE 5POS. AND 6POS. CONNECTOR



Bestell-Nr. ORDER-NO.	REV.	Bestückbare Kammern USED CONTACT CAVITIES	POS.	Stueck QTY	Benennung Einzelteil DESCRIPTION SINGLE PART	Werkstoff MATERIAL	Oberflaeche/Farbe SURFACE/COLOUR
(F1) 3-967650-1	F	1-7	2	1	Kupplungsring COUPLING RING	PA46-GF30	BLACK/schwarz
(F1) 2-967650-1	F	1-7	1	1	7pol. Bu.geh. m. Dichtung Kodierung C 7POS. HSG. W. SEALING CODE C	PBT-GF30/ Silicone	GREEN/grün ORANGE
(E1) 1-967650-1	F	1-7	2	1	Kupplungsring COUPLING RING	PA46-GF30	BLACK/schwarz
967650-4	F	2-7	1	1	7pol. Bu.geh. m. Dichtung Kodierung B 7POS. HSG. W. SEALING CODE B	PBT-GF30/ Silicone	GREY/grau ORANGE
967650-3	F	1-5	2	1	Kupplungsring COUPLING RING	PA46-GF30	BLACK/schwarz
967650-2	F	1-6	1	1	6pol. Bu.geh. m. Dichtung Kodierung A 6POS. HSG. W. SEALING CODE A	PBT-GF30/ Silicone	BLACK/schwarz ORANGE
967650-1	F	1-7	1	1	7pol. Bu.geh. m. Dichtung Kodierung A 7POS. HSG. W. SEALING CODE A	PBT-GF30/ Silicone	BLACK/schwarz ORANGE

THIS DRAWING IS A CONTROLLED DOCUMENT.

DIMENSIONS: MASSEINHEITEN: (MM)	TOLERANCES UNLESS OTHERWISE SPECIFIED: ALLGEMEINTOLERANZEN ACC. TO ISO 8015
1 PLC ±	0.2mm
2 PLC ±	
3 PLC ±	
4 PLC ±	
ANGLES/WINKEL FINISH/OBERFLAECHE/FARBE	±° SEE TABLE siehe Tabelle

DWN J. Granzow 07MAR1996	CHK J. Hass 08MAR1996	APVD Ch. Eberwein 10MAY2010	NAME 1.5mm SOCKET CONNECTOR, 5-7POS 1.5mm Buchsenstecker, 5-7pol.
PRODUCT SPEC 108-18622-0		APPLICATION SPEC 114-18255-0	SIZE A2
MATERIAL SEE TABLE siehe Tabelle		WEIGHT 12.5g	CAGE CODE 00779
CUSTOMER DRAWING		SCALE 2:1	DRAWING NO. ZC=967650

<b>STE</b> TE Connectivity		RESTRICTED TO NUR FÜR
SIZE A2	CAGE CODE 00779	REV F5
DRAWING NO. ZC=967650	SHEET 1	OF 1