



Chipsmall Limited consists of a professional team with an average of over 10 year of expertise in the distribution of electronic components. Based in Hongkong, we have already established firm and mutual-benefit business relationships with customers from,Europe,America and south Asia,supplying obsolete and hard-to-find components to meet their specific needs.

With the principle of “Quality Parts,Customers Priority,Honest Operation,and Considerate Service”,our business mainly focus on the distribution of electronic components. Line cards we deal with include Microchip,ALPS,ROHM,Xilinx,Pulse,ON,Everlight and Freescale. Main products comprise IC,Modules,Potentiometer,IC Socket,Relay,Connector.Our parts cover such applications as commercial,industrial, and automotives areas.

We are looking forward to setting up business relationship with you and hope to provide you with the best service and solution. Let us make a better world for our industry!



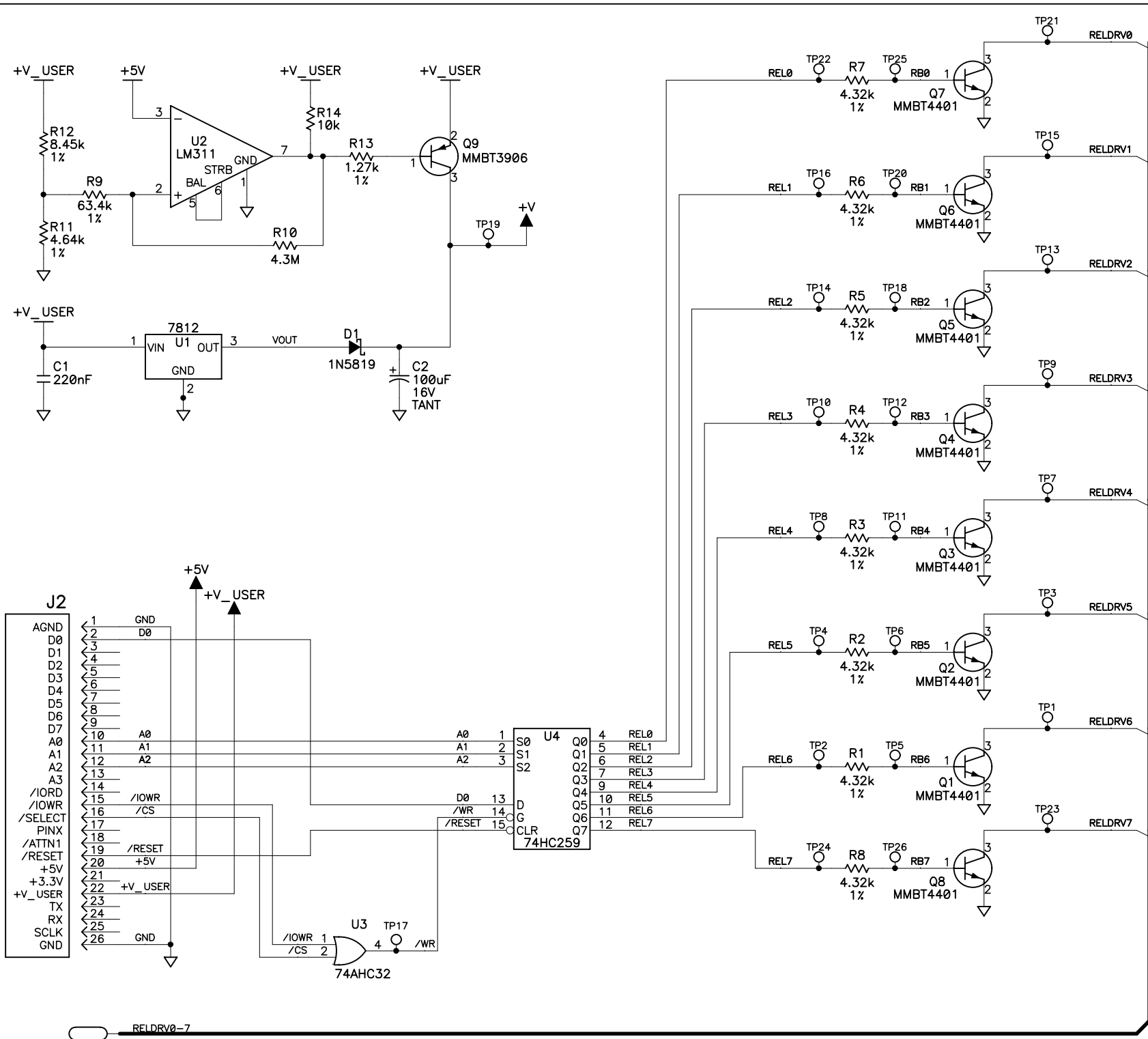
## Contact us

Tel: +86-755-8981 8866 Fax: +86-755-8427 6832

Email & Skype: info@chipsmall.com Web: www.chipsmall.com

Address: A1208, Overseas Decoration Building, #122 Zhenhua RD., Futian, Shenzhen, China

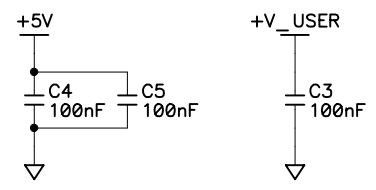




REVISION HISTORY			REVISION APPROVAL			
REV	ECO	DESCRIPTION	PROJECT ENGINEER	APPROVAL DATE	DOCUMENT CONTROL	APPROVAL DATE
A	E11266	INITIAL RELEASE A/W @ REV-A	XT	11/21/00	KIS	11/21/00
B	E11776	CORRECTED REFERENCE DESIGNATORS.	XT	12/19/01	KIS	12/19/01

TABLE A

REF DES	DEVICE	DEVICE VOLTAGE INFORMATION					DEVICE: FILTER CAP REF DES(s)
		AGND	GND	+5V	+V_USER	NO CONNECTS	
U1	7812						
U2	LM311		4		8		C10
U3	74AHC32		3	5			C11
U4	74HC259		8	16			C12

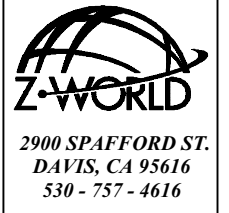


- NOTES: UNLESS OTHERWISE SPECIFIED;
1. ALL RESISTOR VALUES ARE IN OHMS, 1/10W, 5%
  2. ALL CAPACITORS ARE 50VDC OR HIGHER.
  3. THE ORIGIN SOURCE OF A VOLTAGE IS REPRESENTED BY (VCC), AND ALL REFERENCES TO THAT VOLTAGE ARE REPRESENTED BY (VCC).

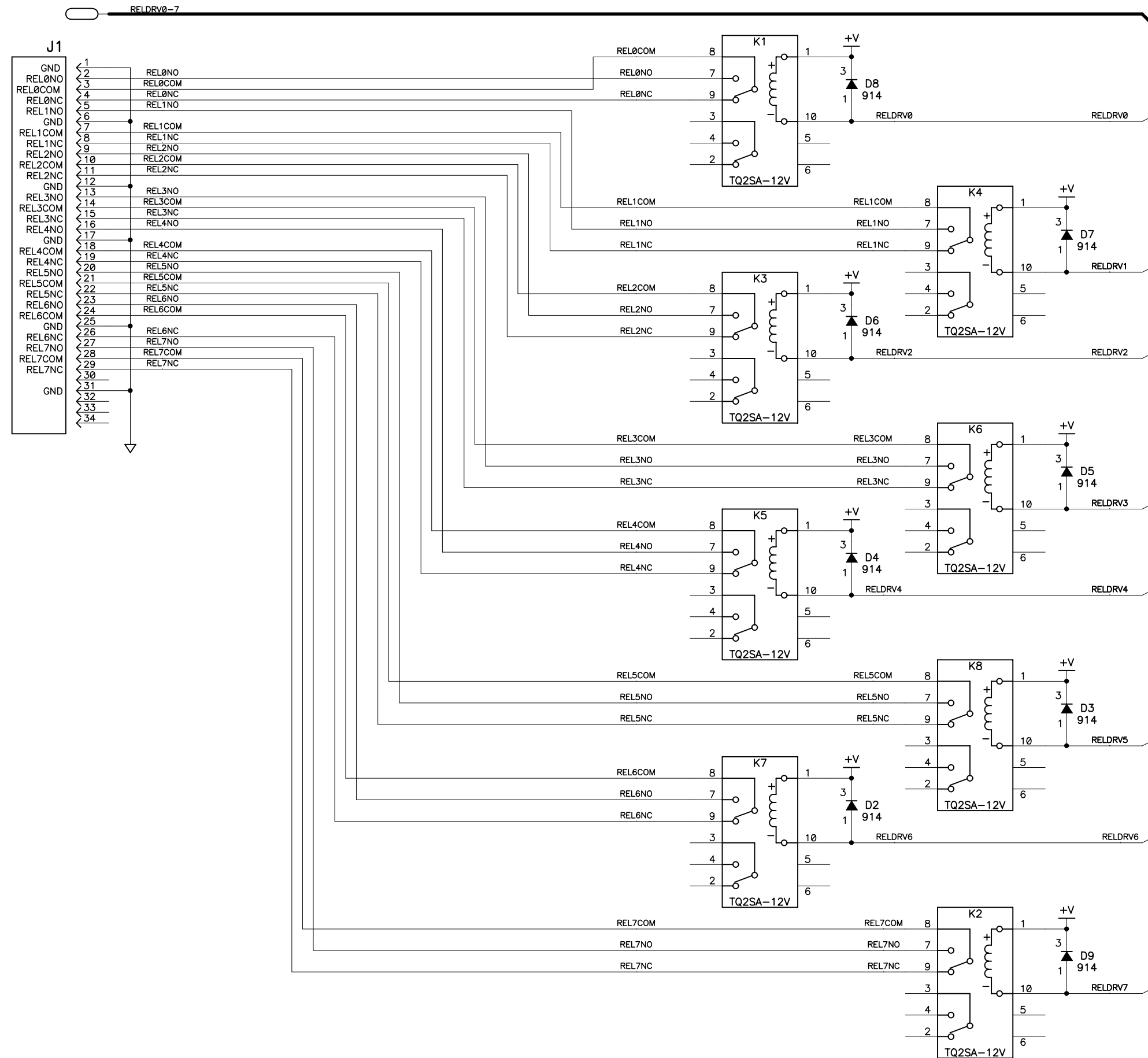
FROM MOTHERBOARD

COPYRIGHT 2001, Z-WORLD, INC.

APPEND THE FOLLOWING DOCUMENTS WHEN CHANGING THIS DOCUMENT:		DRAWING CONTENT:		TITLE	
		DRAWN BY: (INITIAL RELEASE)	REP	SCHEMATIC DIAGRAM SR9510 RELAY 8 BOARD	
		REVISOR:	XUAN TRUONG	19JUN00	
		APPROVALS: INITIAL RELEASE		18DEC01	
		PROJECT ENGINEER:	Xuan Truong	11/21/00	
		ENGINEERING MANAGER:	R. Matthews	11/21/00	
		SIGNATURES	DATE	SIZE <b>B</b>	DWG NO. 090-0108
				SCALE NONE	RELEASE DATE
				SHEET 1 OF 2	



USER INTERFACE



COPYRIGHT 2001, Z-WORLD, INC.

18DEC01

SIZE <b>B</b>	DWG NO. <b>090-0108</b>
SCALE NONE	REV LTR B
SHEET 2	OF 2