



Chipsmall Limited consists of a professional team with an average of over 10 year of expertise in the distribution of electronic components. Based in Hongkong, we have already established firm and mutual-benefit business relationships with customers from,Europe,America and south Asia,supplying obsolete and hard-to-find components to meet their specific needs.

With the principle of “Quality Parts,Customers Priority,Honest Operation,and Considerate Service”,our business mainly focus on the distribution of electronic components. Line cards we deal with include Microchip,ALPS,ROHM,Xilinx,Pulse,ON,Everlight and Freescale. Main products comprise IC,Modules,Potentiometer,IC Socket,Relay,Connector.Our parts cover such applications as commercial,industrial, and automotives areas.

We are looking forward to setting up business relationship with you and hope to provide you with the best service and solution. Let us make a better world for our industry!



## Contact us

Tel: +86-755-8981 8866 Fax: +86-755-8427 6832

Email & Skype: info@chipsmall.com Web: www.chipsmall.com

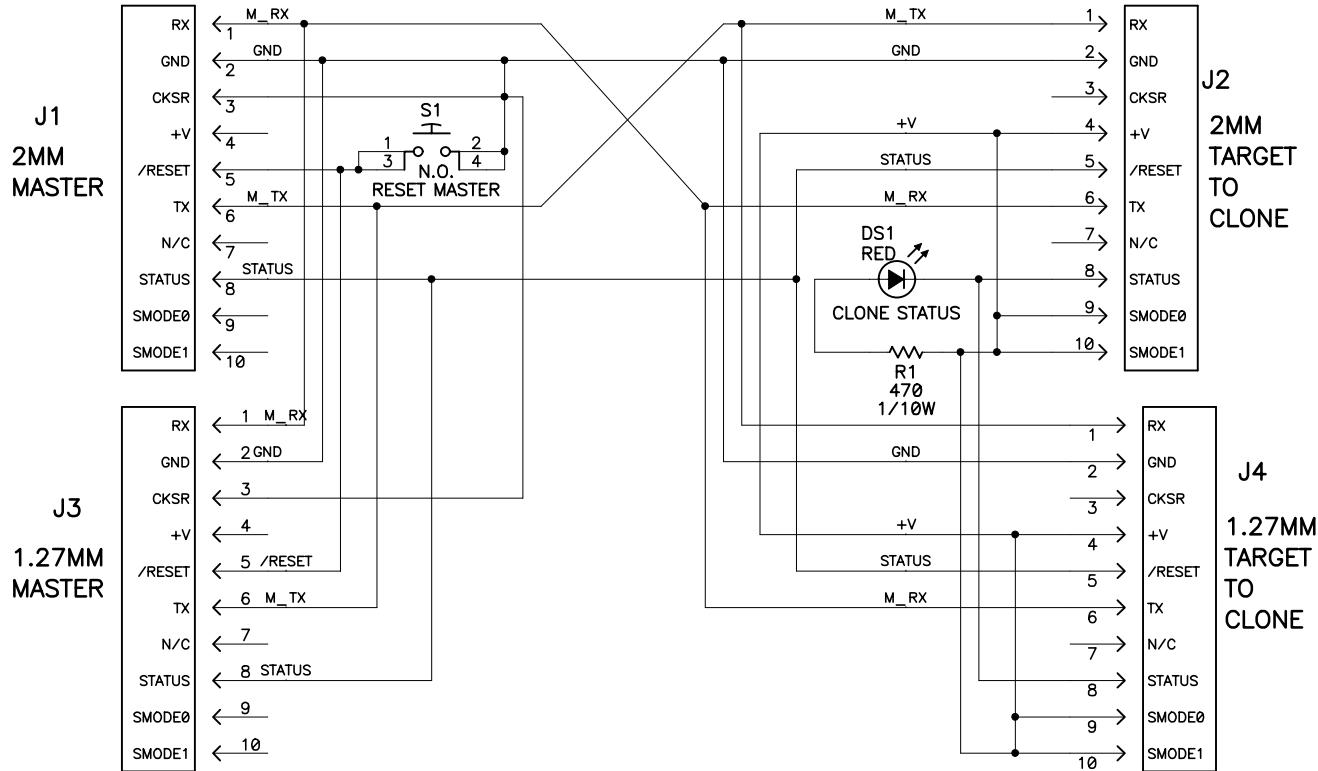
Address: A1208, Overseas Decoration Building, #122 Zhenhua RD., Futian, Shenzhen, China



REVISION HISTORY

REVISION APPROVAL

REV	ECO	DESCRIPTION	PROJECT ENGINEER	APPROVAL DATE	DOCUMENT CONTROL	APPROVAL DATE
A	E12135	INITIAL RELEASE	DM	12/6/02	KIS	12/5/02



APPEND THE FOLLOWING DOCUMENTS WHEN CHANGING THIS DOCUMENT:

DRAWING CONTENT:

DRAWN BY: (INITIAL RELEASE)  
DARREN MUSGROVE 12NOV02

REVISED BY:

APPROVALS: INITIAL RELEASE

PROJECT ENGINEER:  
DARREN MUSGROVE 12/6/02  
ENGINEERING MANAGER:  
R.MATTHEWS 12/9/02

SIGNATURES DATE

TITLE SCHEMATIC DIAGRAM  
RABBIT CLONING  
CABLE BOARD 3V/5V  
1.27/2MM



2900 SPAFFORD ST.  
DAVIS, CA 95616  
530 - 757 - 4616

SIZE **A** DWG NO. 090-0167

Copyright 2002,  
Z-World, Inc.

SCALE NONE RELEASE DATE SHEET 1 OF 1