



Chipsmall Limited consists of a professional team with an average of over 10 year of expertise in the distribution of electronic components. Based in Hongkong, we have already established firm and mutual-benefit business relationships with customers from,Europe,America and south Asia,supplying obsolete and hard-to-find components to meet their specific needs.

With the principle of “Quality Parts,Customers Priority,Honest Operation,and Considerate Service”,our business mainly focus on the distribution of electronic components. Line cards we deal with include Microchip,ALPS,ROHM,Xilinx,Pulse,ON,Everlight and Freescale. Main products comprise IC,Modules,Potentiometer,IC Socket,Relay,Connector.Our parts cover such applications as commercial,industrial, and automotives areas.

We are looking forward to setting up business relationship with you and hope to provide you with the best service and solution. Let us make a better world for our industry!



Contact us

Tel: +86-755-8981 8866 Fax: +86-755-8427 6832

Email & Skype: info@chipsmall.com Web: www.chipsmall.com

Address: A1208, Overseas Decoration Building, #122 Zhenhua RD., Futian, Shenzhen, China



RF Power

**RoHS
Compliant**

**Half Flange Resistor
20 Watts, 120Ω**



General Specifications

Resistive Element	Thick film
Substrate	Beryllium oxide ceramic
Cover	Alumina Ceramic
Mounting Flange	Copper, Nickel plated per QQ-N-290
Lead(s):	99.9% pure silver (.006" thick)
Operating Temperature	-55 to +150°C (see chart)

Features:

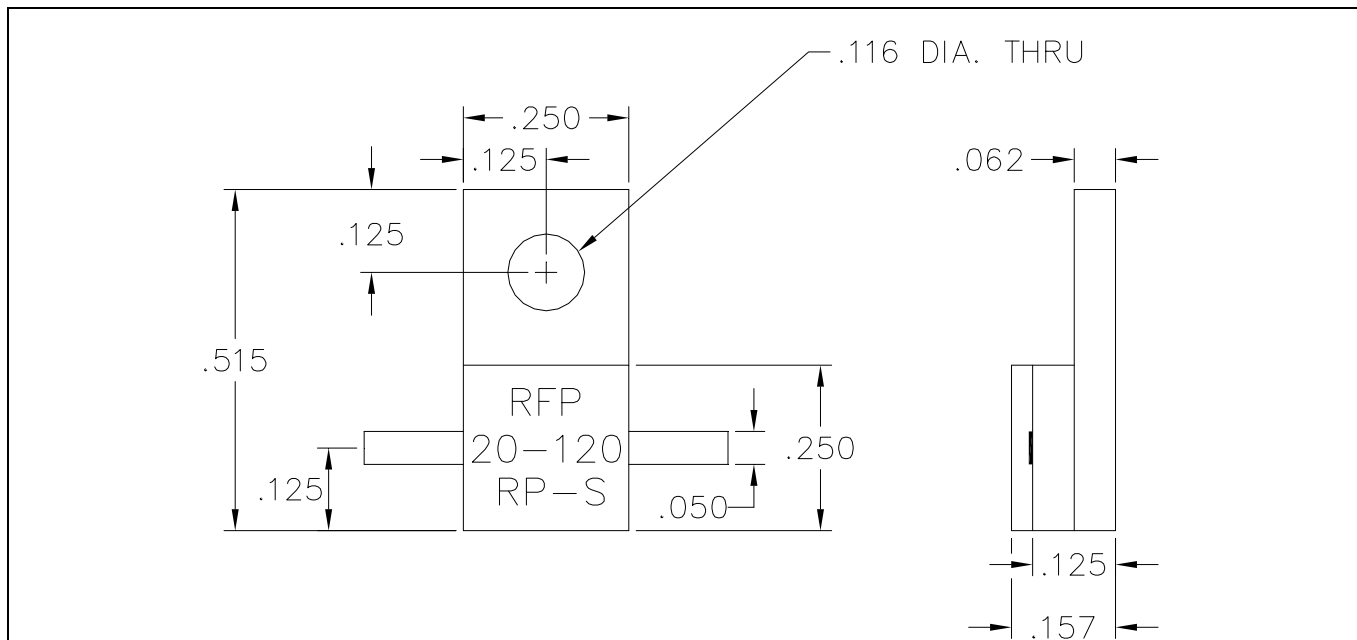
- DC – 4.0 GHz
- 20 Watts
- BeO Ceramic
- Welded Silver Leads
- Non-Nichrome Resistive Element
- 100% Tested
- ROHS Compliant

Electrical Specifications

Resistance Value:	120 ohms, ± 5%
Frequency Range:	DC – 4.0 GHz
Power:	20 Watts
Capacitance:	1.2 pF

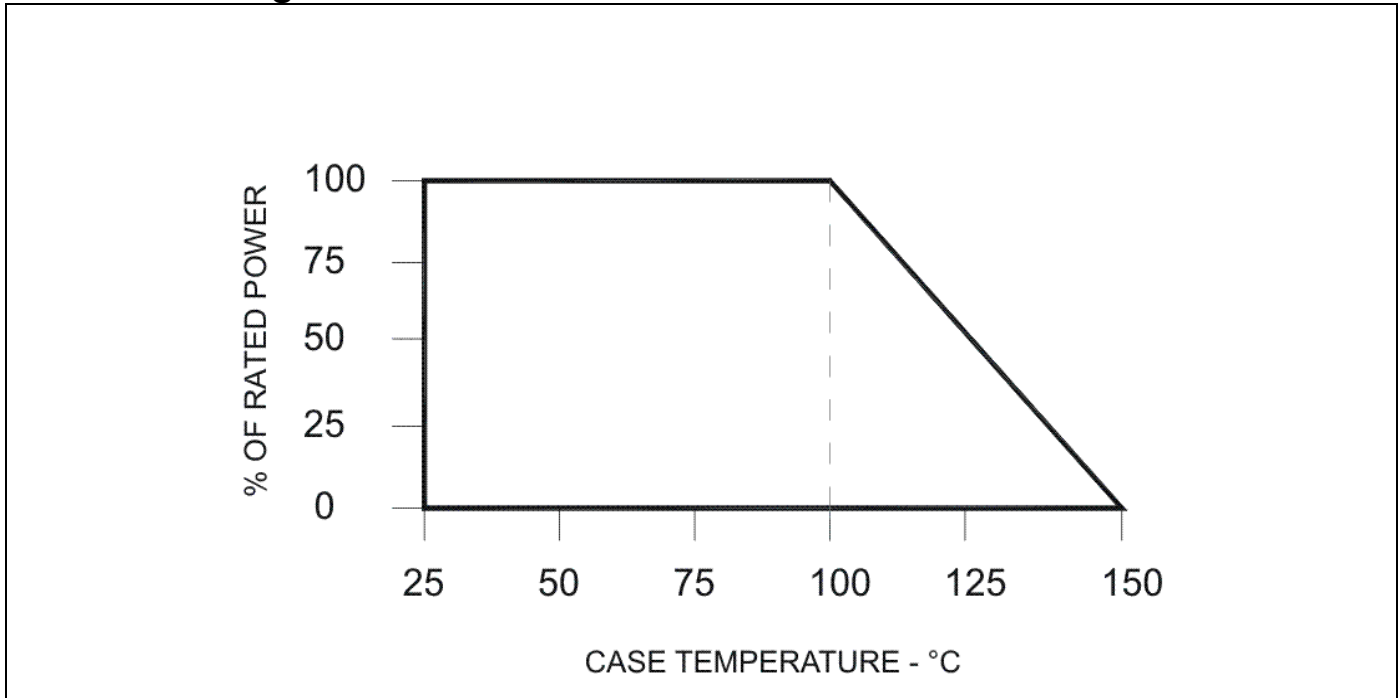
Notes: Tolerance is ±0.010", unless otherwise specified. Designed to meet or exceed applicable portions of MIL-E-5400. All dimensions in inches. Lead length 0.150" minimum.
Specifications subject to change without notice.

Outline Drawing

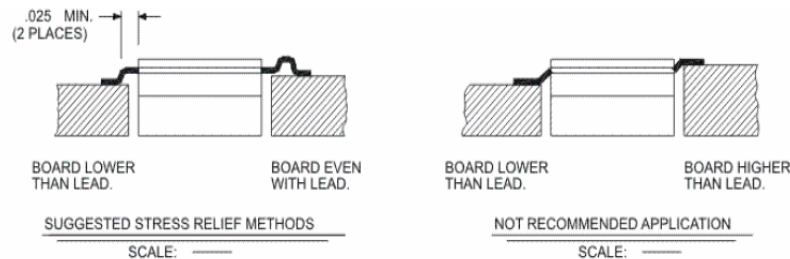


20-120RP-S (097) Rev C

Power Derating



Suggested Mounting Procedures



1. Make sure that the devices are mounted on flat surfaces (0.001" under the device) to optimize the heat transfer.
2. Drill & tap the heatsink for the appropriate thread size to be used.
3. Coat the heatsink with a minimum amount of high quality silicone grease (0.001" max. thickness).
4. Position the device on mounting surface and secure using socket head screws, flat & split washers. Torque screws to the appropriate value. Make sure that the device is flat against the heatsink. (Care should be taken to avoid upward pressure of the leads toward the lid).
5. Solder leads in place using an adequate solder with a controlled temperature iron.

20-120RP (097) Rev C