



Chipsmall Limited consists of a professional team with an average of over 10 year of expertise in the distribution of electronic components. Based in Hongkong, we have already established firm and mutual-benefit business relationships with customers from,Europe,America and south Asia,supplying obsolete and hard-to-find components to meet their specific needs.

With the principle of “Quality Parts,Customers Priority,Honest Operation,and Considerate Service”,our business mainly focus on the distribution of electronic components. Line cards we deal with include Microchip,ALPS,ROHM,Xilinx,Pulse,ON,Everlight and Freescale. Main products comprise IC,Modules,Potentiometer,IC Socket,Relay,Connector.Our parts cover such applications as commercial,industrial, and automotives areas.

We are looking forward to setting up business relationship with you and hope to provide you with the best service and solution. Let us make a better world for our industry!



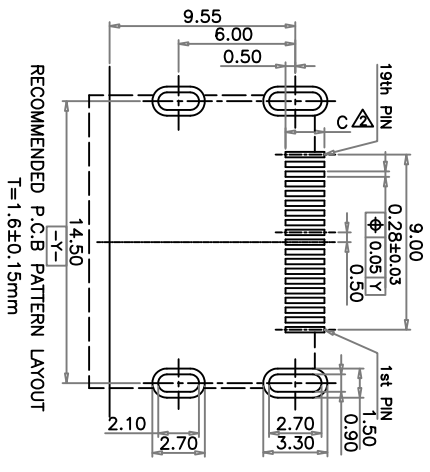
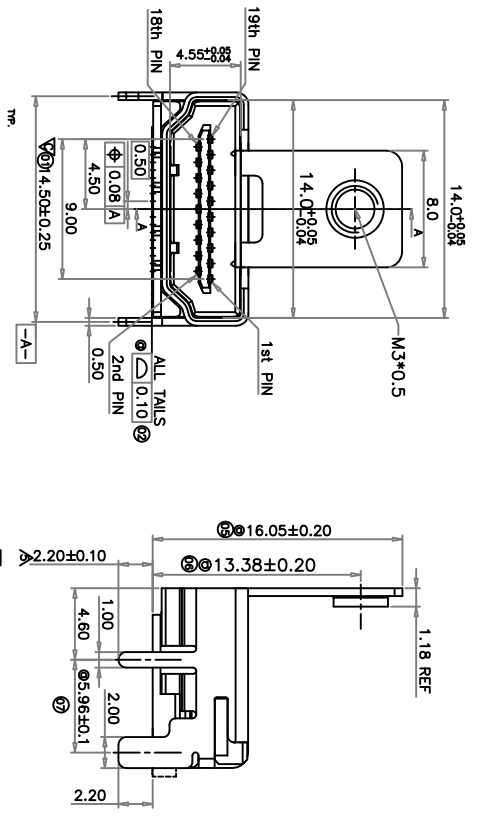
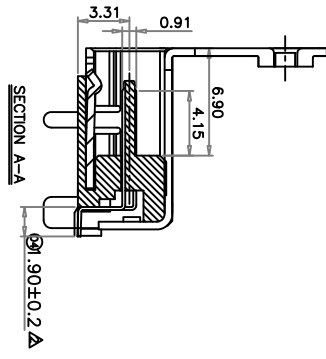
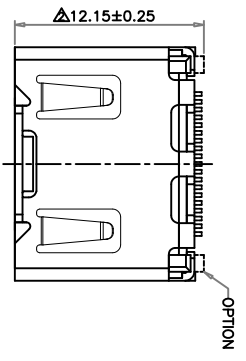
Contact us

Tel: +86-755-8981 8866 Fax: +86-755-8427 6832

Email & Skype: info@chipsmall.com Web: www.chipsmall.com

Address: A1208, Overseas Decoration Building, #122 Zhenhua RD., Futian, Shenzhen, China





HDMI CONNECTOR SCREW TYPE

- NOTE:
- 1.MATERIAL : BRASS C2680-1/2H(HV120~140),T=0.2±0.02mm.
TERMINAL : BRASS C2680-EH(HV160~175),T=0.5±0.02mm.
SHELL : BRASS C2680-EH(HV160~175),T=0.5±0.02mm.
 - 2.PLATING : LCP(E130I)+30%G.F.(UL94-0),BLACK.
 - TERMINAL : AU PLATED ON CONTACT AREA (SEE ORDER INFORMATION),
100u" Sn PLATED ON SOLDER TAIL AREA,
BOTH OVER 50u" MIN. Ni UNDERPLATED OVERALL.
 - 3.MECHANICAL CHARACTERISTICS :
SHELL : 100u"MIN. WELDABLE Ni OVERALL.
INSERTION FORCE : 4.5kgf MAX.
WITHDRAWING FORCE : 1kgf ~ 4kgf.
 - 4.CRITICAL DIM QUANTITY: 0 ; MAJOR DIM QUANTITY: 4.

14/01/17	Jody		NEW DWG		AO				
DATE	DR.BY	ECN.NO.	DESCRIPTION	MARK	VER.				
-TOLERANCES- UNLESS OTHERWISE SPECIFIED									
X.X	±0.38	X.X°		±2°	APPD:	PRODUCT NO: 2000-1-2-23-00-BK			
X.XX	±0.25	X.XX°	±1°	CHECK:	DATE	SCALE	UNIT	TYPE	PAGE
X.XXX	±0.13	X.XXX°	±0.5°	DRAW:	2014/01/17	1:1	mm	Z	1/1

TITLE: HDMI A Type Female 19P SMT with Screw Hole & 4 DIP Tails, G/F, Black