



Chipsmall Limited consists of a professional team with an average of over 10 year of expertise in the distribution of electronic components. Based in Hongkong, we have already established firm and mutual-benefit business relationships with customers from,Europe,America and south Asia,supplying obsolete and hard-to-find components to meet their specific needs.

With the principle of “Quality Parts,Customers Priority,Honest Operation,and Considerate Service”,our business mainly focus on the distribution of electronic components. Line cards we deal with include Microchip,ALPS,ROHM,Xilinx,Pulse,ON,Everlight and Freescale. Main products comprise IC,Modules,Potentiometer,IC Socket,Relay,Connector.Our parts cover such applications as commercial,industrial, and automotives areas.

We are looking forward to setting up business relationship with you and hope to provide you with the best service and solution. Let us make a better world for our industry!



## Contact us

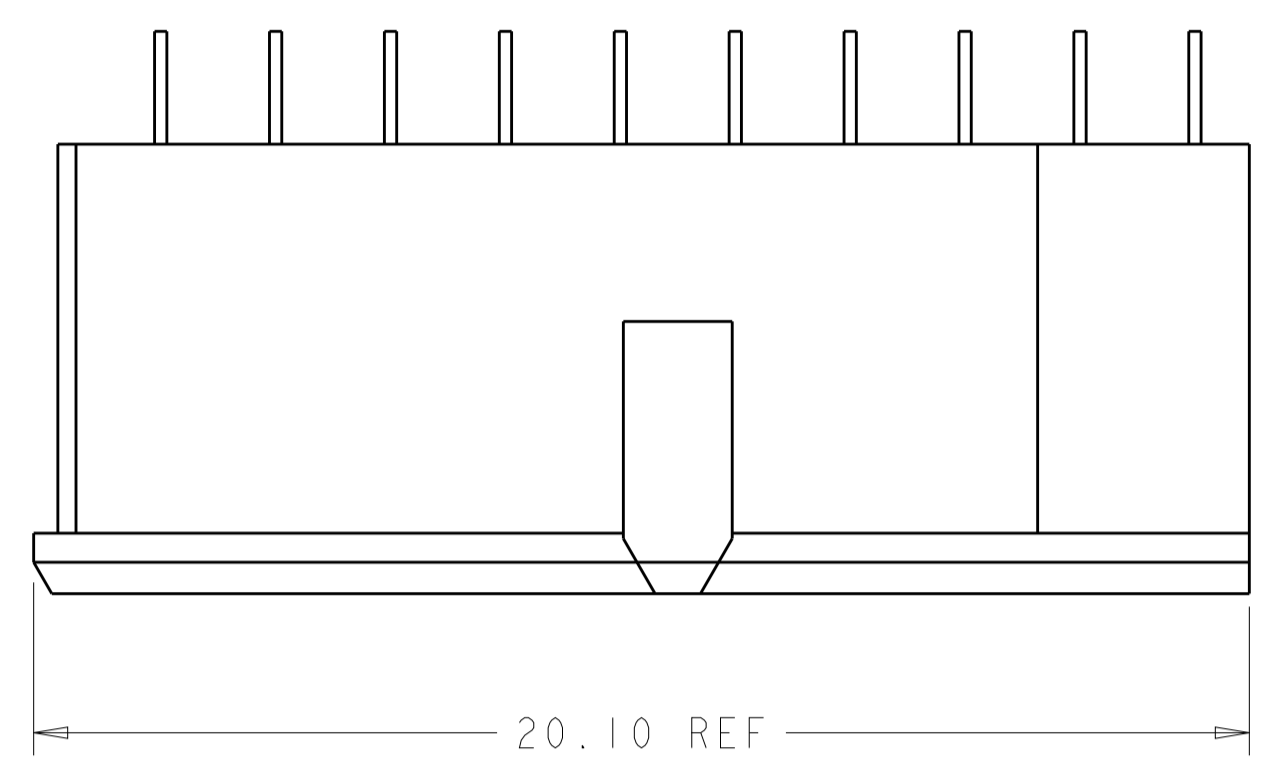
Tel: +86-755-8981 8866 Fax: +86-755-8427 6832

Email & Skype: info@chipsmall.com Web: www.chipsmall.com

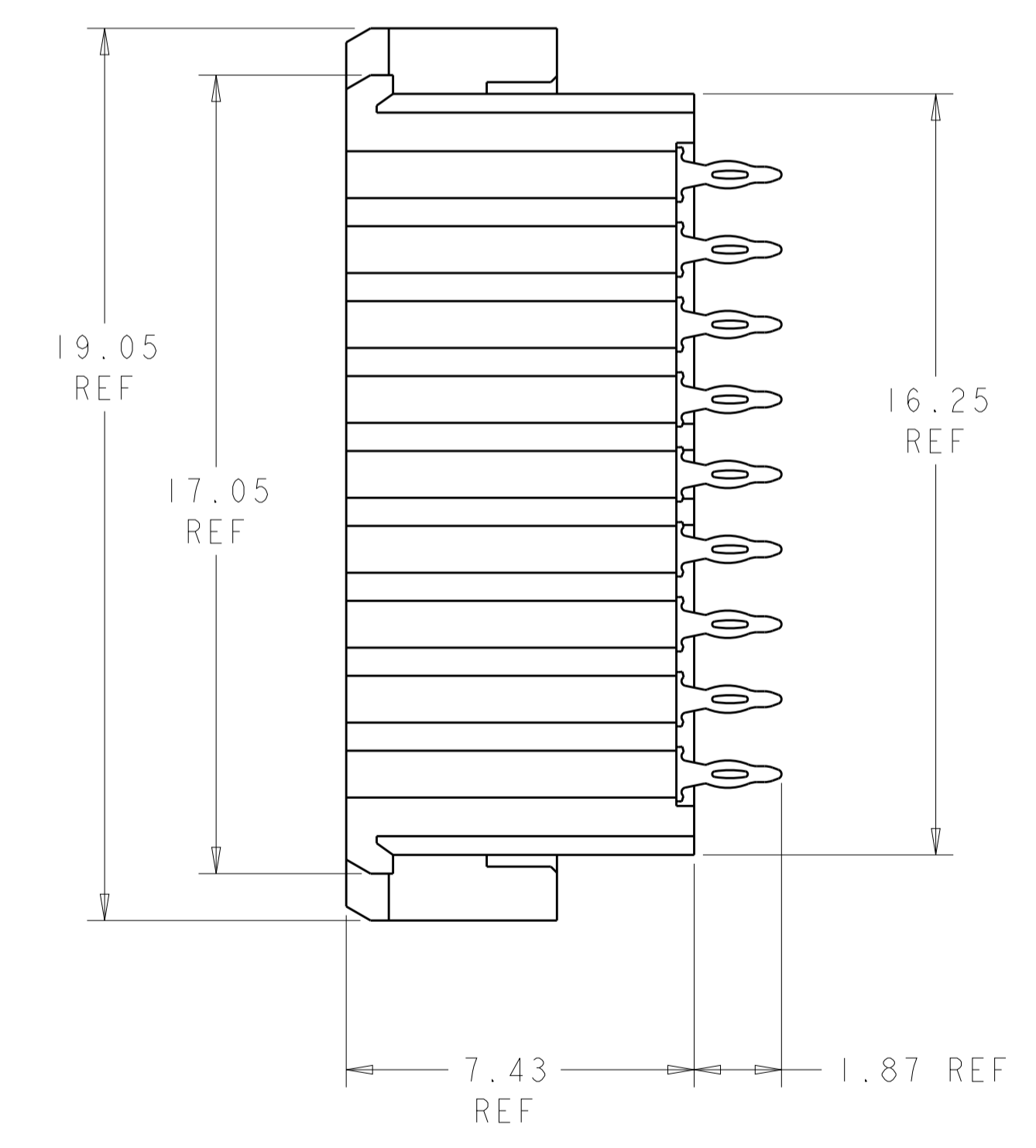
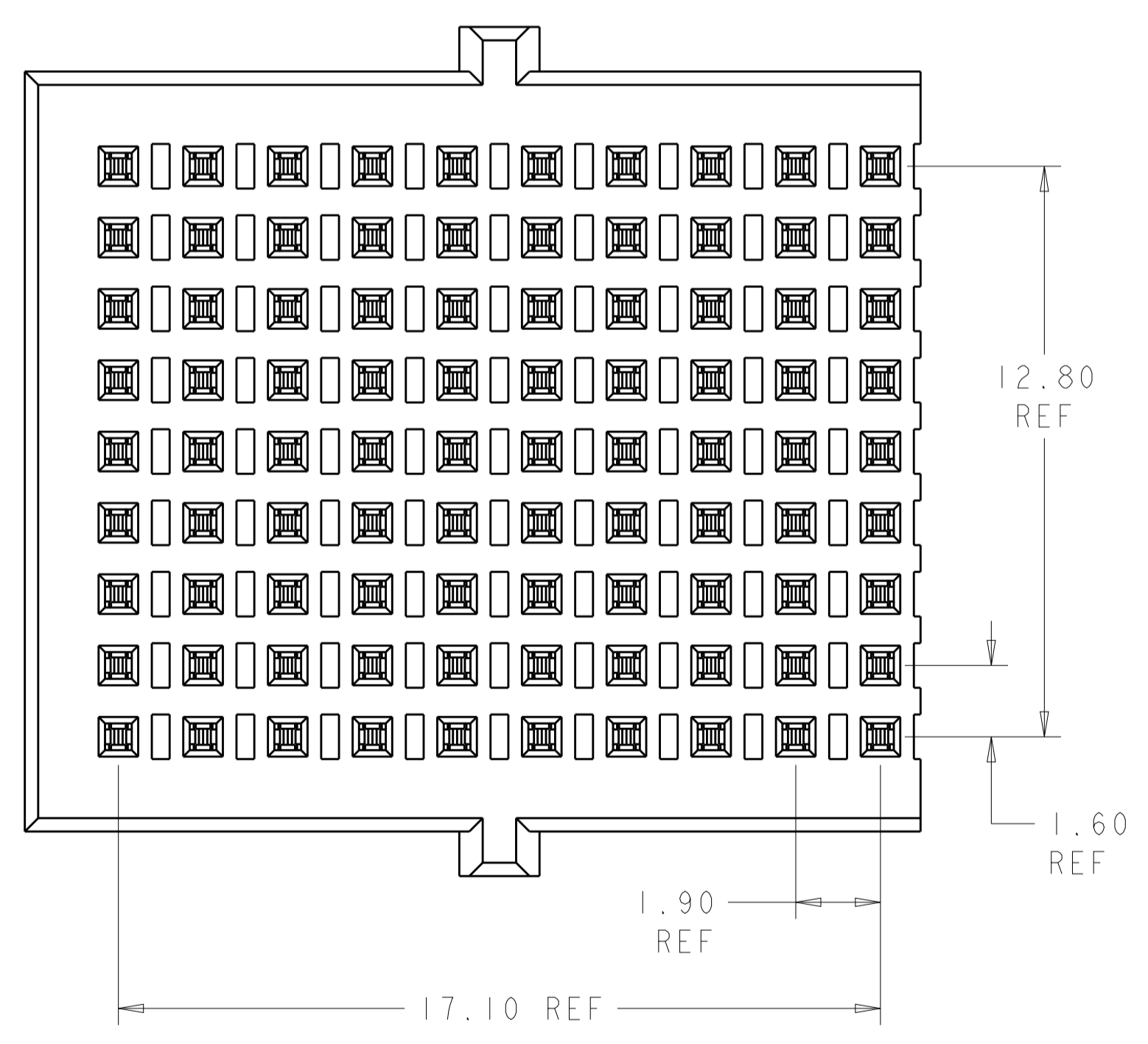
Address: A1208, Overseas Decoration Building, #122 Zhenhua RD., Futian, Shenzhen, China



LOC		DIST		REVISIONS			
P	LTN	DESCRIPTION	DATE	DWN	APVD		
B		REV PER ECO 12-010940	7-31-12	CT	DH		
C		ECO-13-004755	26MAR2013	KG	DH		



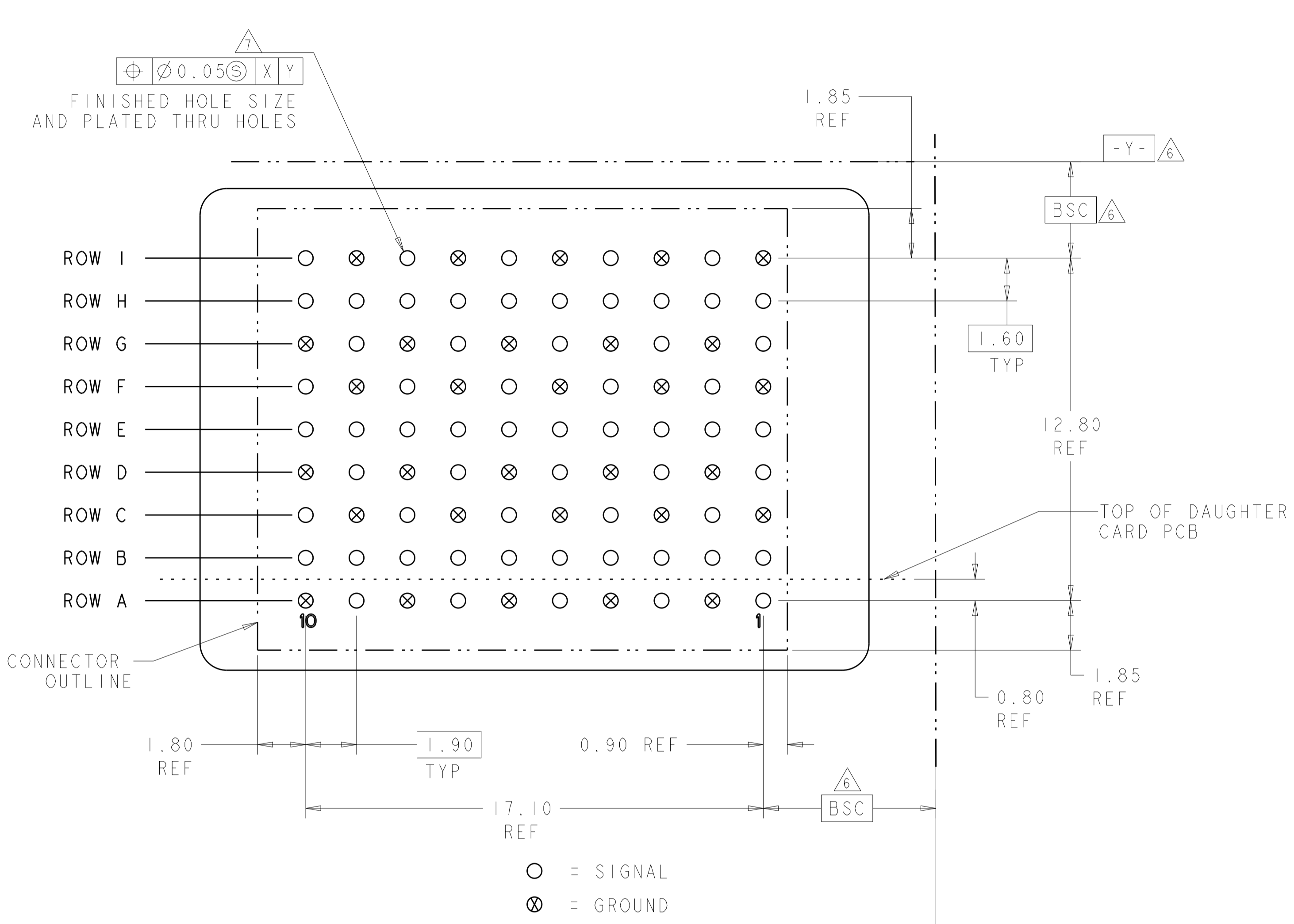
- 1 MATERIAL:  
CONTACT - COPPER ALLOY  
HOUSING - LCP, COLOR - BLACK
- 2 FINISH:  
MATING AREA: 1.27µm MIN GOLD OVER  
1.27µm MIN NICKEL
- 3 FINISH:  
COMPLIANT PIN AREA: 0.38µm MIN BRIGHT TIN LEAD  
OVER 1.27µm MIN NICKEL
- 4 FINISH:  
COMPLIANT PIN AREA: 0.38µm MIN MATTE TIN  
OVER 1.27µm MIN NICKEL
- 5 FINISH:  
COMPLIANT PIN AREA: 0.38µm MIN GOLD  
OVER 1.27µm MIN NICKEL
- 6 DATUMS AND BASIC DIMENSIONS ESTABLISHED BY CUSTOMER.
- 7 REFERENCE APPLICATION SPEC 114-13267 FOR RECOMMENDED  
PLATING THRU HOLE DIAMETER AND PLATING THICKNESS.



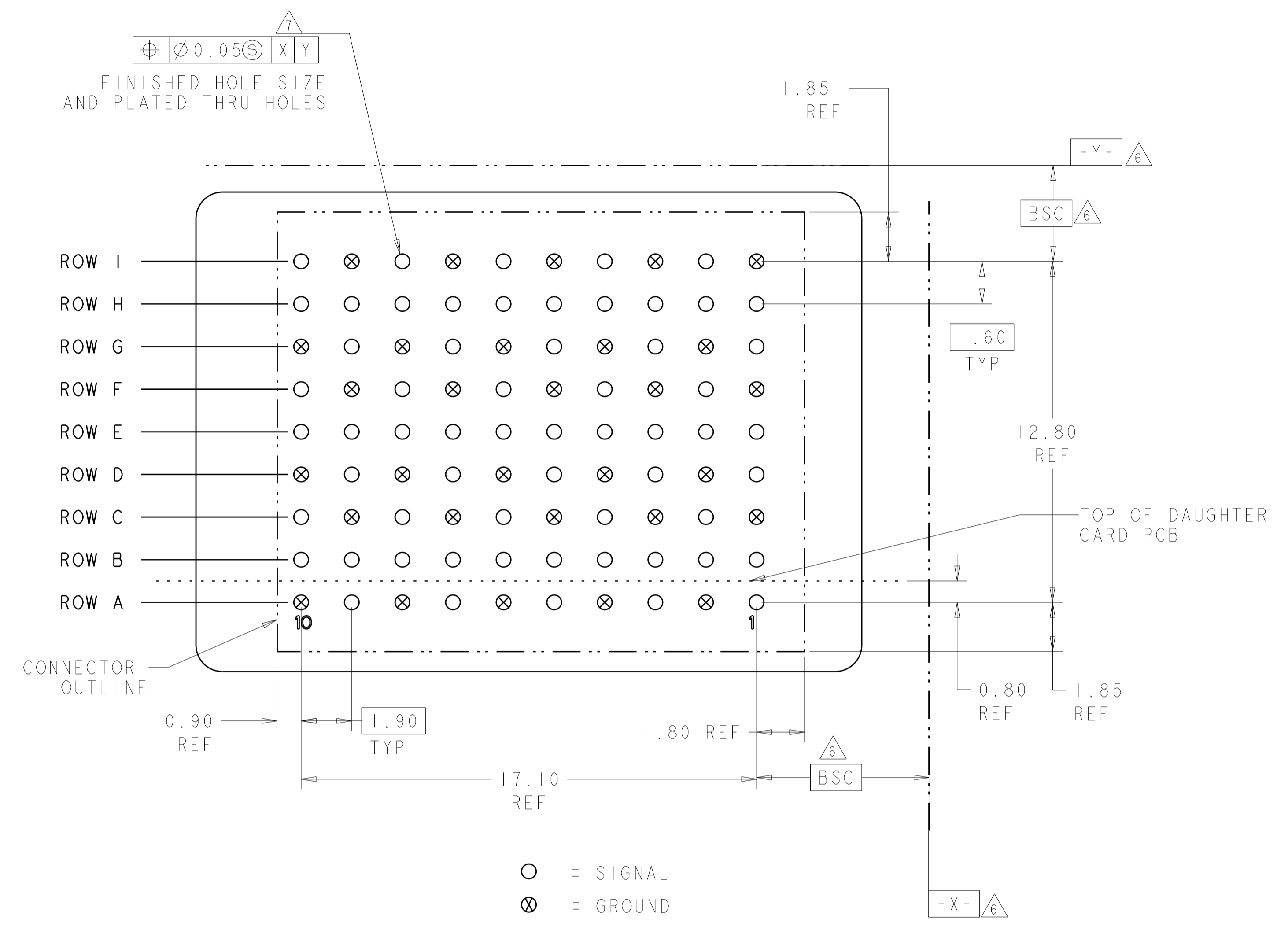
2 5	2000895-3
2 4	2000895-2
2 3	2000895-1
FINISH	PART NUMBER

THIS DRAWING IS A CONTROLLED DOCUMENT. DIMENSIONING AND TOLERANCING PER GPS (ISO STANDARDS).		DWN: D. BELACK 24JUN2009	TE Connectivity NAME: Fortis Zd. 10-COLUMN, 3-PAIR, VERTICAL END MODULE ASSEMBLY	
DIMENSIONS: mm		CHK: A. TSANG 6-24-2009		
TOLERANCES UNLESS OTHERWISE SPECIFIED:		APVD: M. McALONIS 6-24-2009	PRODUCT SPEC	
0 PLC ±0.13		APPLICATION SPEC		
2 PLC ±0.05		114-13267		
3 PLC ±		WEIGHT ~ 3.61g		
4 PLC ±		Customer Drawing		
ANGLES ±2°		SIZE: A100779C=2000895		
FINISH		SCALE: 8:1 SHEET 1 OF 2 REV C		

LOC	DIST	REV	DATE	BY	APPV
-	-	1	SEE SHEET 1	-	-



RECOMMENDED DIFFERENTIAL PAIR PC BOARD LAYOUT 1  
 COMPONENT SIDE SHOWN  
 SCALE 8:1



RECOMMENDED DIFFERENTIAL PAIR PC BOARD LAYOUT 2  
 COMPONENT SIDE SHOWN  
 SCALE 8:1

THIS DRAWING IS A CONTROLLED DOCUMENT. DIMENSIONING AND TOLERANCING PER QPS (ISO STANDARDS).		DWN: D. BELACK 24JUN2009 CHK: A. TSANG 6-24-2009 APVD: M. McALONIS 6-24-2009	TE Connectivity
DIMENSIONS: mm TOLERANCES UNLESS OTHERWISE SPECIFIED: 0 PLC ±0.13 1 PLC ±0.05 2 PLC ±0.05 3 PLC ±0.05 4 PLC ±0.05 ANGLES ±2°		NAME: Fortis Zd. 10-COLUMN, 3-PAIR, VERTICAL END MODULE ASSEMBLY PRODUCT SPEC: 108-2409 APPLICATION SPEC: 114-13267 WEIGHT: 3.61 Customer Drawing	
MATERIAL: -		SIZE: A100779 CAGE CODE: C=2000895 SCALE: 8:1	RESTRICTED TO: - SHEET: 2 OF 2 REV: C