



Chipsmall Limited consists of a professional team with an average of over 10 year of expertise in the distribution of electronic components. Based in Hongkong, we have already established firm and mutual-benefit business relationships with customers from,Europe,America and south Asia,supplying obsolete and hard-to-find components to meet their specific needs.

With the principle of “Quality Parts,Customers Priority,Honest Operation,and Considerate Service”,our business mainly focus on the distribution of electronic components. Line cards we deal with include Microchip,ALPS,ROHM,Xilinx,Pulse,ON,Everlight and Freescale. Main products comprise IC,Modules,Potentiometer,IC Socket,Relay,Connector.Our parts cover such applications as commercial,industrial, and automotives areas.

We are looking forward to setting up business relationship with you and hope to provide you with the best service and solution. Let us make a better world for our industry!



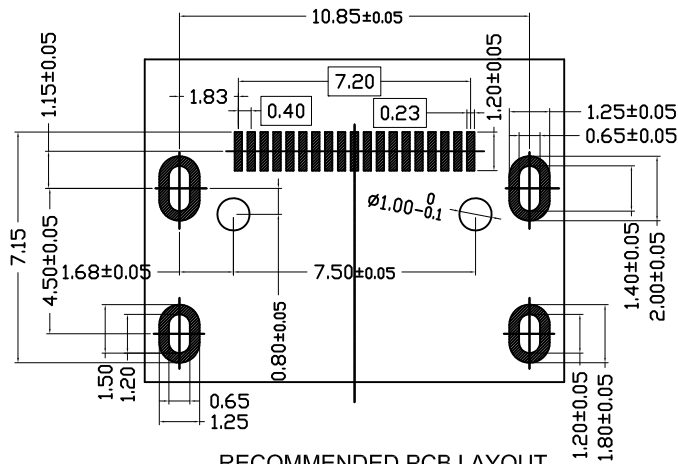
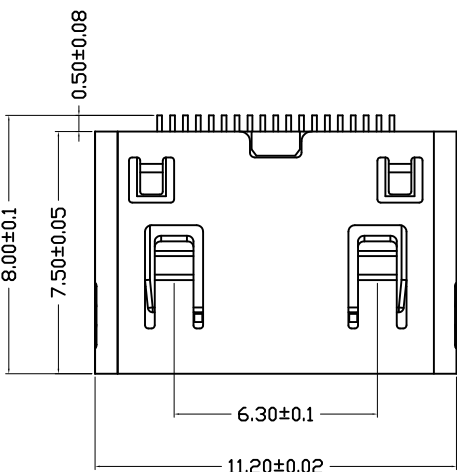
Contact us

Tel: +86-755-8981 8866 Fax: +86-755-8427 6832

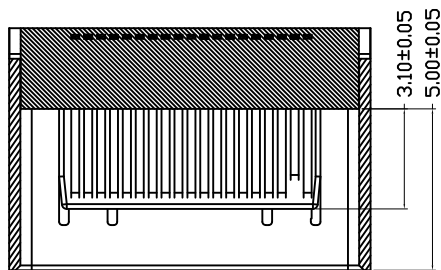
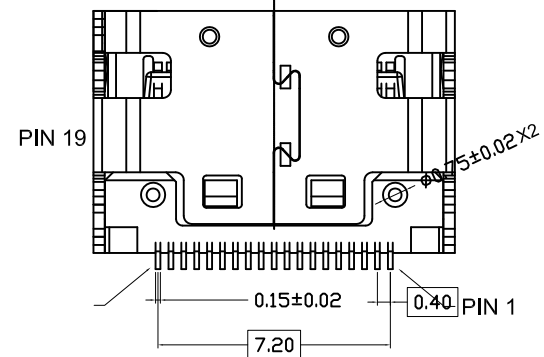
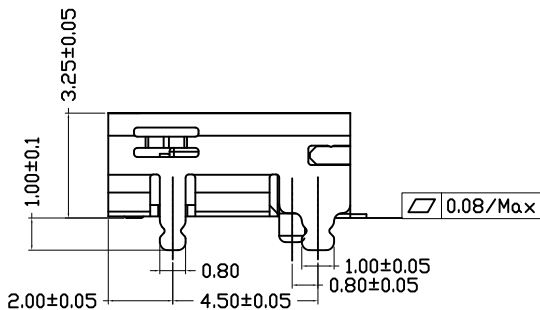
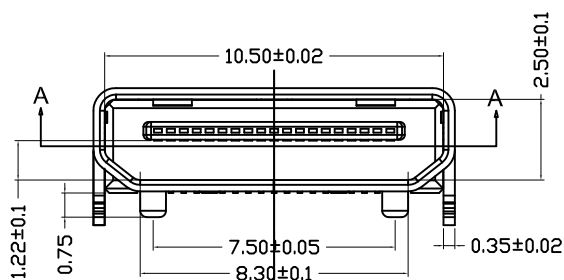
Email & Skype: info@chipsmall.com Web: www.chipsmall.com

Address: A1208, Overseas Decoration Building, #122 Zhenhua RD., Futian, Shenzhen, China





RECOMMENDED PCB LAYOUT



SEC A-A
SCALE 1:1

SPECIFICATION:

- 1.MATING FORCE:44.1N MAX
- 2.UNMATING FORCE:7-25N
- 3.DURABILITY: 5000 CYCLES MIN
- 4.CURRENT:0.5A
- 5.VOLTAGE:40V MAX
- 6.WITHSTANDING VOLTAGE:500V AC MIN.(UNMATED)
- 7.CONTACT RESISTANCE:30MN MAX.
- 8.INSULATION RESISTANCE:100MN MIN.(UNMATED)
- 9.OPERATING TEMPERATURE RANGE:-20.C TO +85.C
- 10.ALL THE MATERIAL SHOULD COMPLY WITH THE ROHS REQUIREMENT.

Type C pin	Signal Name
1	TMDS Data2 Shield
2	TMDS Data2+
3	TMDS Data2-
4	TMDS Data1 Shield
5	TMDS Data1+
6	TMDS Data1-
7	TMDS Data0 Shield
8	TMDS Data0+
9	TMDS Data0-
10	TMDS Clock Shield
11	TMDS Clock+
12	TMDS Clock-
13	DDC/CEC Ground
14	CEC
15	SCL
16	SDA
17	Utility
18	+5V Power
19	Hot Plug Detect

Discription	Q'TY	Material	Treatment
DIP Shell	1	Copper Alloy	Solderable Ni
Terminal	19	Copper Alloy	Gold Plating Of Contact
Housing	1	High Temperature Thermoplastic	UL94V-0 Color: Black

09/14-15	yang		NEW DRAWING		AO
DATE	DR.BY	ECN.NO.	DESCRIPTION	MARK	VER.
-TOLERANCES- UNLESS OTHERWISE SPECIFIED 公差参考表			<h1 style="text-align: center;">CnC Tech, LLC</h1>		
TITLE: HDMI 19P C TYPE FEMALE SMT SHELL DIP			PRODUCT NO: 2001-1-2-21-00-BK		
X.X ±0.30	X.X° ±3.00°	APPD:	DATE	SCALE	UNIT
X.XX ±0.20	X.XX° ±1.00°	CHECK:	2015.09.14	1:1	mm
X.XXX ±0.10	X.XXX° ±0.500°	DRAW:			
			TYPE	PAGE	
			Z	1/1	