



Chipsmall Limited consists of a professional team with an average of over 10 year of expertise in the distribution of electronic components. Based in Hongkong, we have already established firm and mutual-benefit business relationships with customers from,Europe,America and south Asia,supplying obsolete and hard-to-find components to meet their specific needs.

With the principle of "Quality Parts,Customers Priority,Honest Operation,and Considerate Service",our business mainly focus on the distribution of electronic components. Line cards we deal with include Microchip,ALPS,ROHM,Xilinx,Pulse,ON,Everlight and Freescale. Main products comprise IC,Modules,Potentiometer,IC Socket,Relay,Connector.Our parts cover such applications as commercial,industrial, and automotives areas.

We are looking forward to setting up business relationship with you and hope to provide you with the best service and solution. Let us make a better world for our industry!



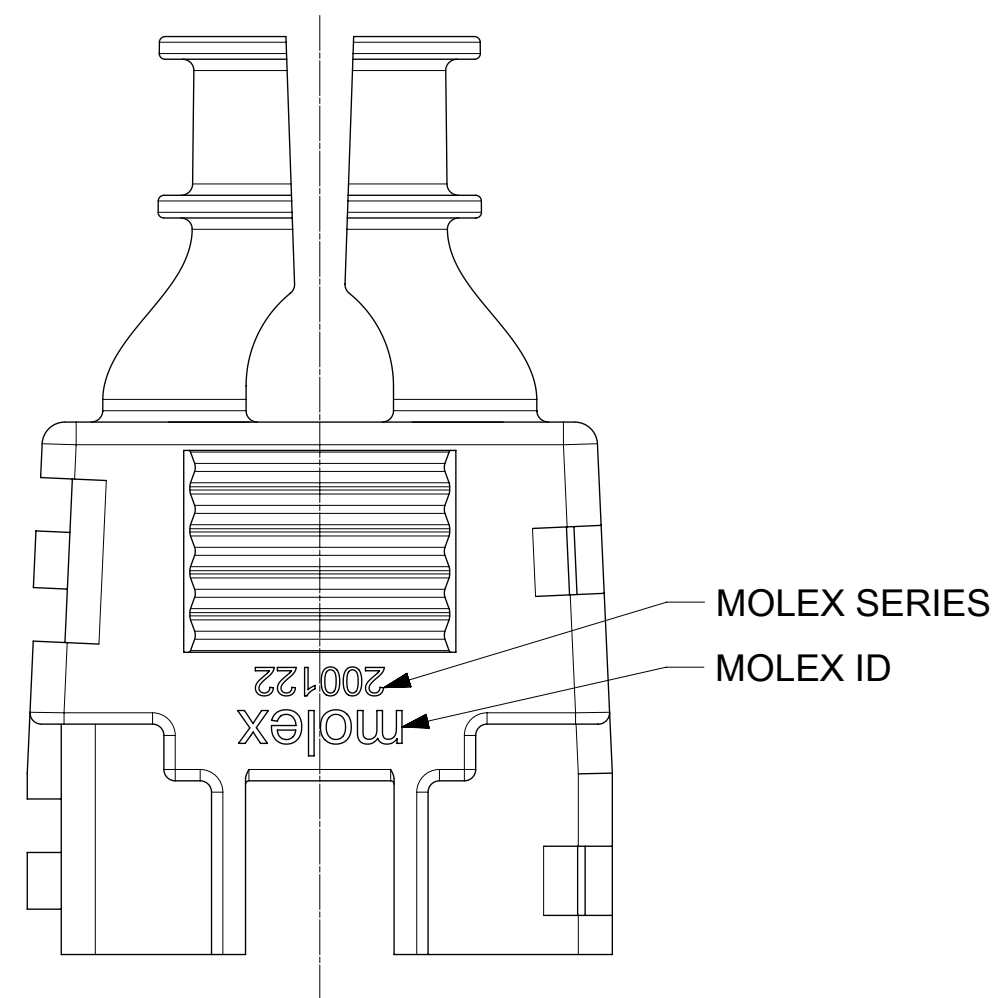
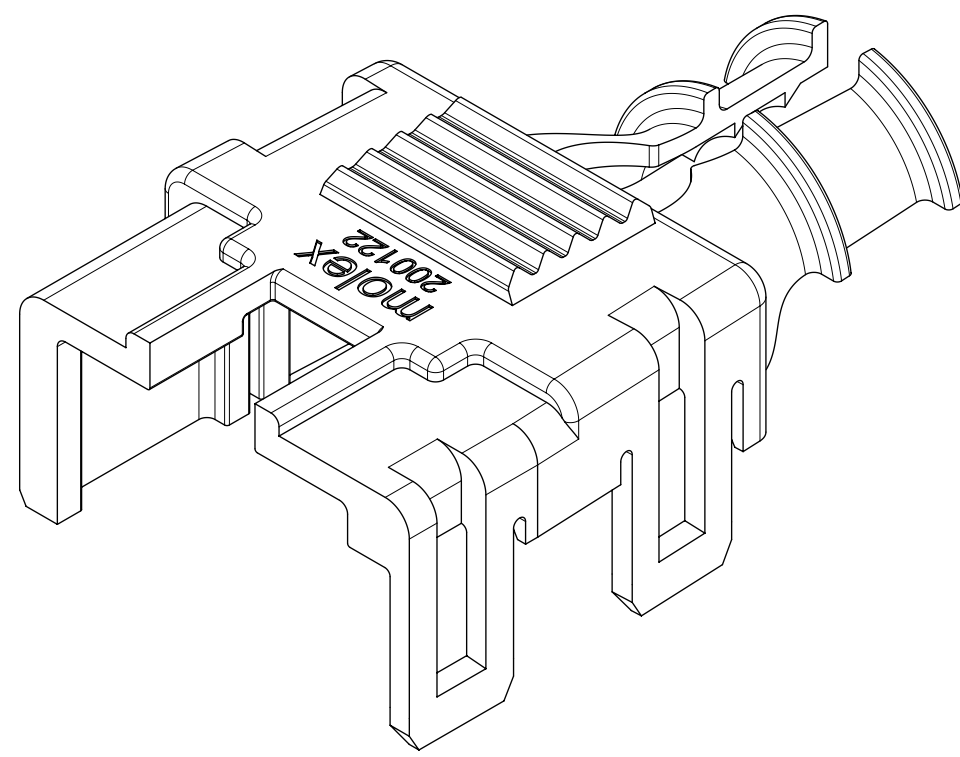
Contact us

Tel: +86-755-8981 8866 Fax: +86-755-8427 6832

Email & Skype: info@chipsmall.com Web: www.chipsmall.com

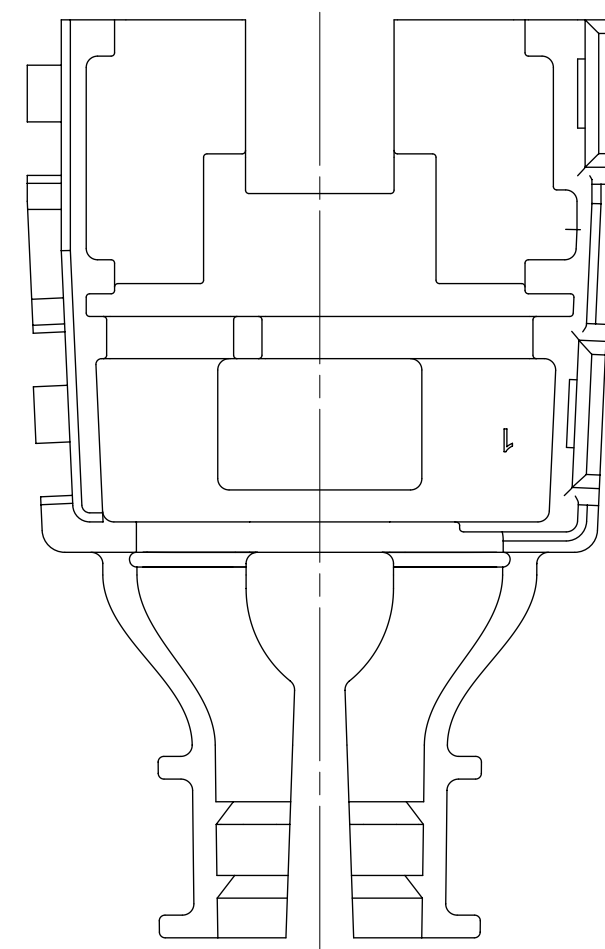
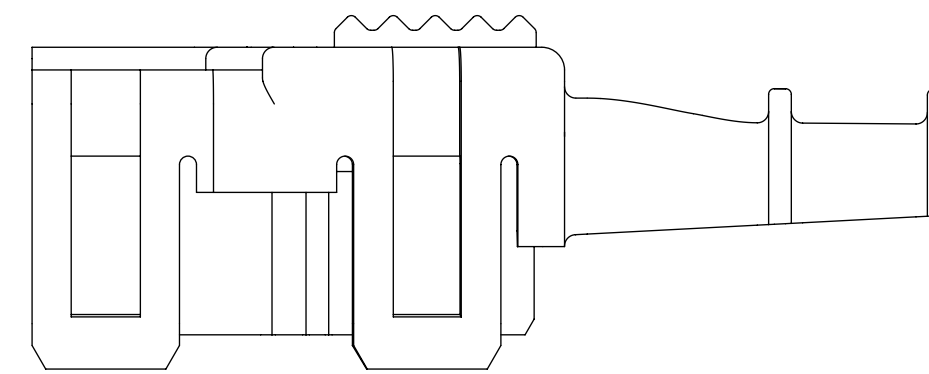
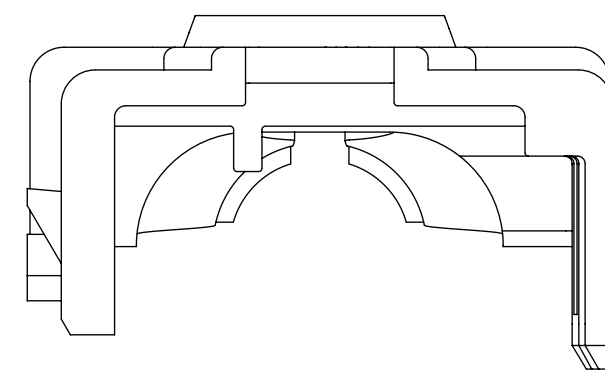
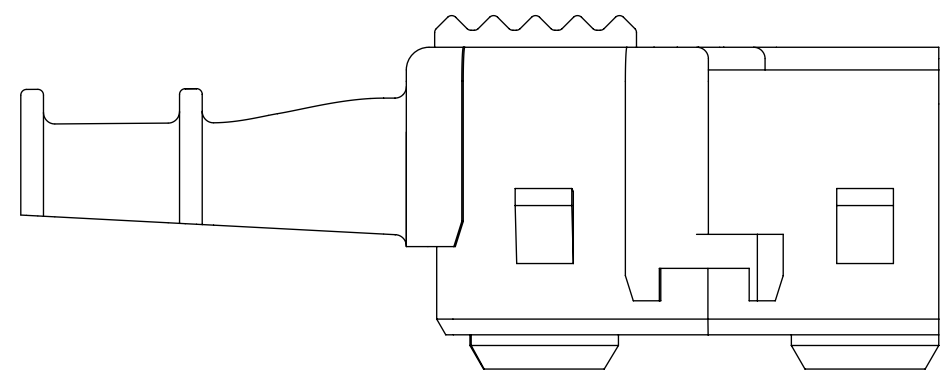
Address: A1208, Overseas Decoration Building, #122 Zhenhua RD., Futian, Shenzhen, China





NOTES:

1. MATERIAL:
 '0' = NYLON V-O LOW HALOGEN; COLOR: BLACK
 '1' = NYLON V-2 GLOW WIRE CAPABLE; COLOR: BLACK
2. FINISH: NONE
3. PRODUCT SPECIFICATION: TBD
 APPLICATION SPECIFICATION: TBD
4. PACKAGING SPECIFICATION: PK-70873-0071
 REFER TO AS-45499-001 FOR MOISTURIZING NYLON CONNECTOR PARTS.
5. THIS HOUSING TO BE USED WITH RECEPTACLE HOUSING SERIES 170001 & 171692.
6. THIS PART CONFORMS TO CLASS 'B' REQUIREMENTS OF COSMETIC SPECIFICATION PS-45499-002.
11. FOR "1" MATERIAL USE CLASS C GATE BLIMISH SPEC.
12. 200122-0006 SHOWN. SEE SHEET 2 FOR OTHER PART NUMBERS.



PART LEGEND

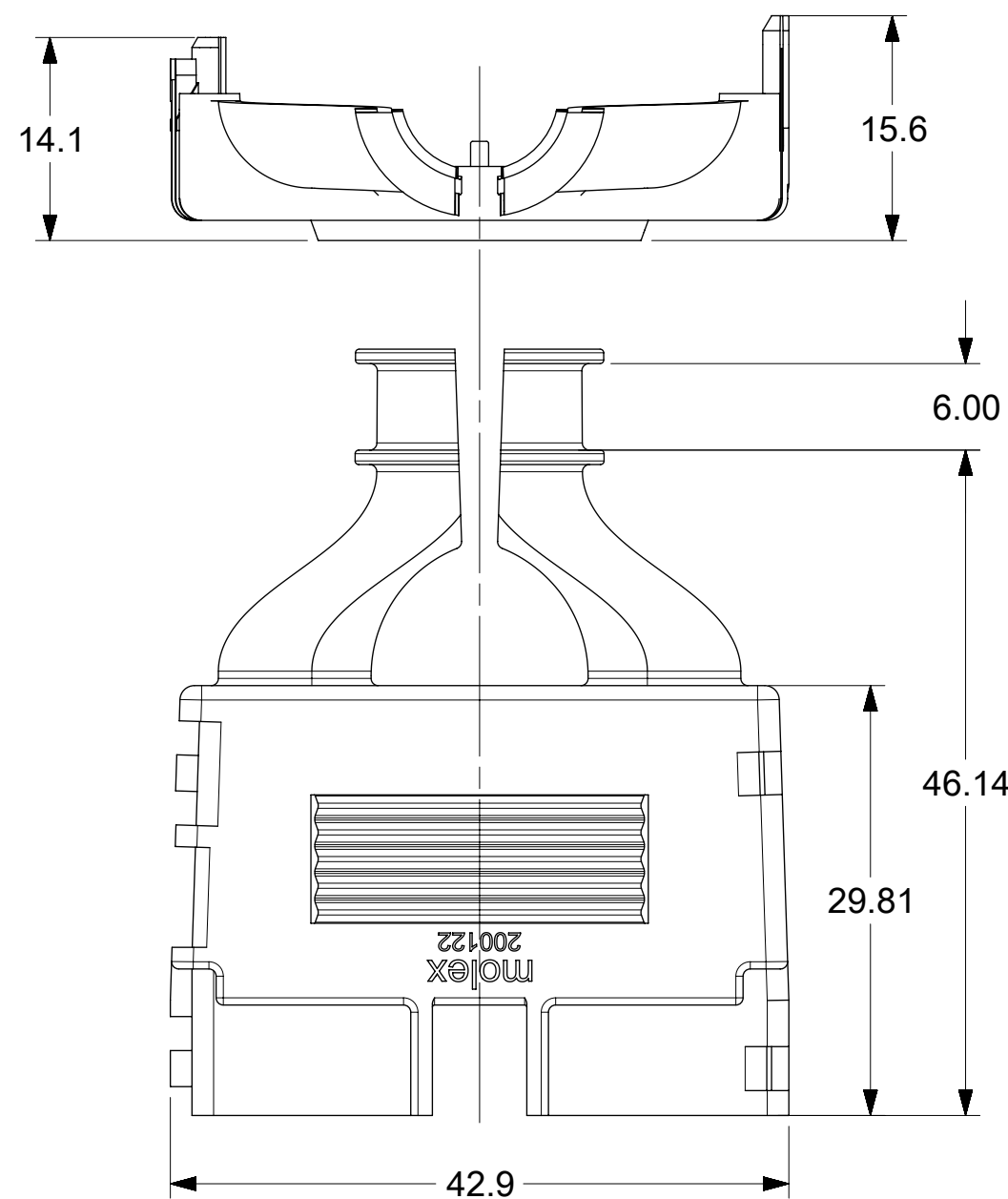
200122 - 0 * * *

PART SERIES

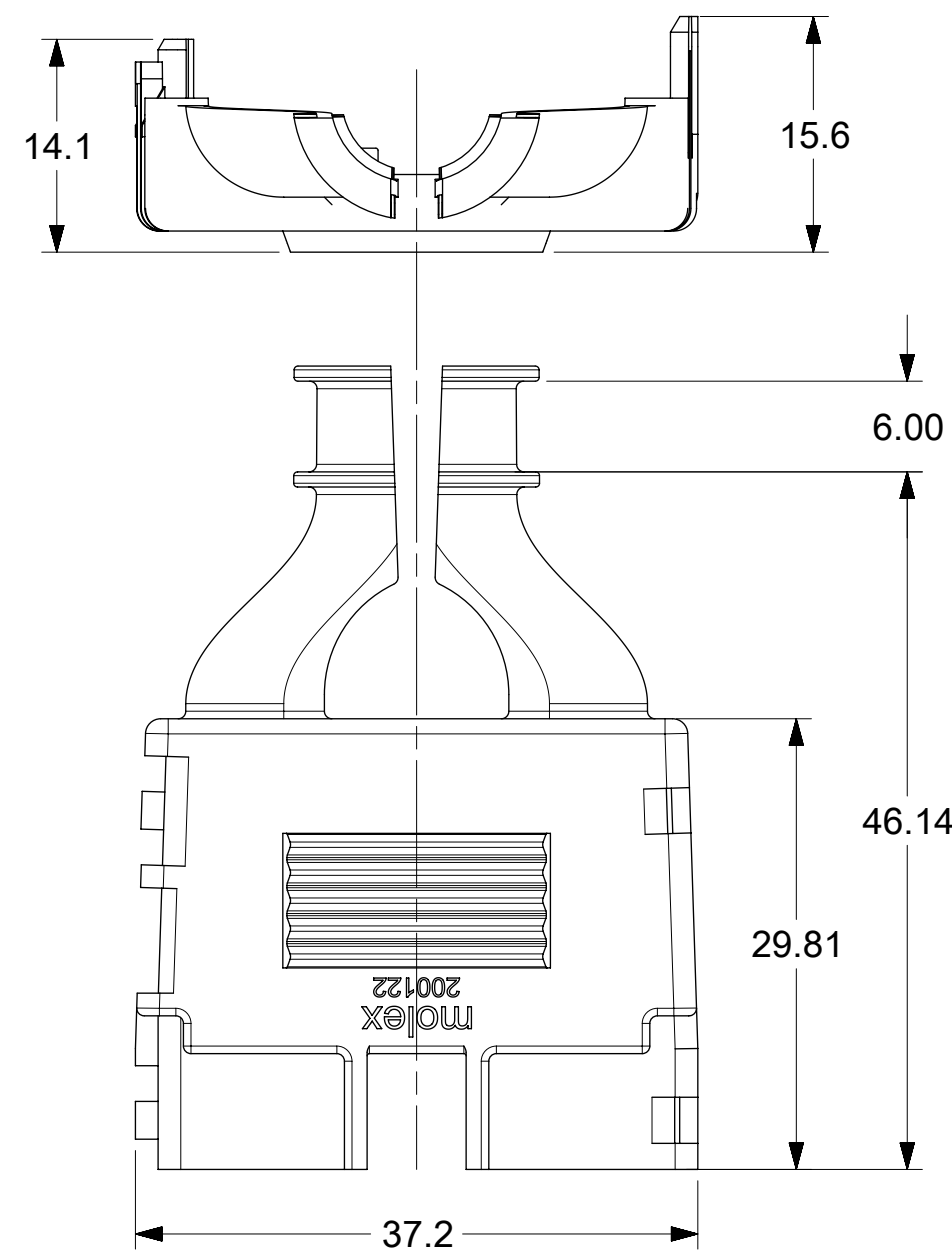
MATERIAL (SEE NOTE 1)

NUMBER OF CKTS (SEE SHEET 2)

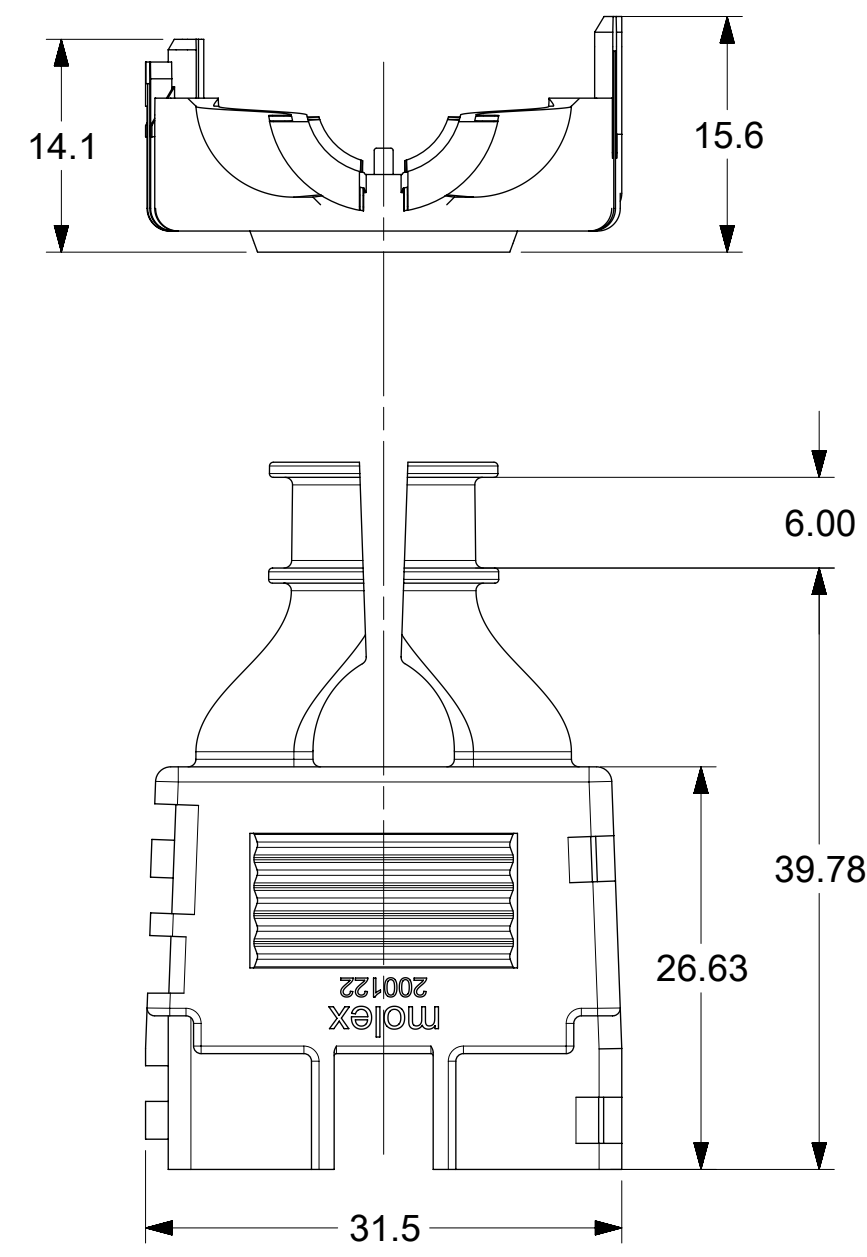
THIS DRAWING CONTAINS INFORMATION THAT IS PROPRIETARY TO MOLEX INCORPORATED AND SHOULD NOT BE USED WITHOUT WRITTEN PERMISSION											
EC DESCRIPTION EC NO: 109352 DRWN: TGREGORI CHK'D: REV APPR: RHODGE	QUALITY SYMBOLS	GENERAL TOLERANCES (UNLESS SPECIFIED)	DIMENSION UNITS	SCALE	molex						
	▽ = 0	ANGULAR TOL ± 0.5 °	MM	3:1							
	▽ = 0	4 PLACES ±	DRWN BY	DATE	RECEPTACLE BACKSHELL, DUAL ROW MEGA-FIT						
	▽ = 4	3 PLACES ±	TGREGORI	2015/09/15							
	2 PLACES ± 0.25	CHK'D BY	DATE	PRODUCT CUSTOMER DRAWING							
	1 PLACE ± 0.4	TGREGORI	2015/09/29	SERIES	MATERIAL NUMBER	CUSTOMER					
	0 PLACES ±	APPR BY	DATE	200122	SEE SHEET 2						
A1	DRAFT WHERE APPLICABLE MUST REMAIN WITHIN DIMENSIONS	DRAWING SIZE	THIRD ANGLE PROJECTION	2001220000	DOC TYPE	DOC PART	SHEET NUMBER				
		C		PSD	000	1 OF 2					



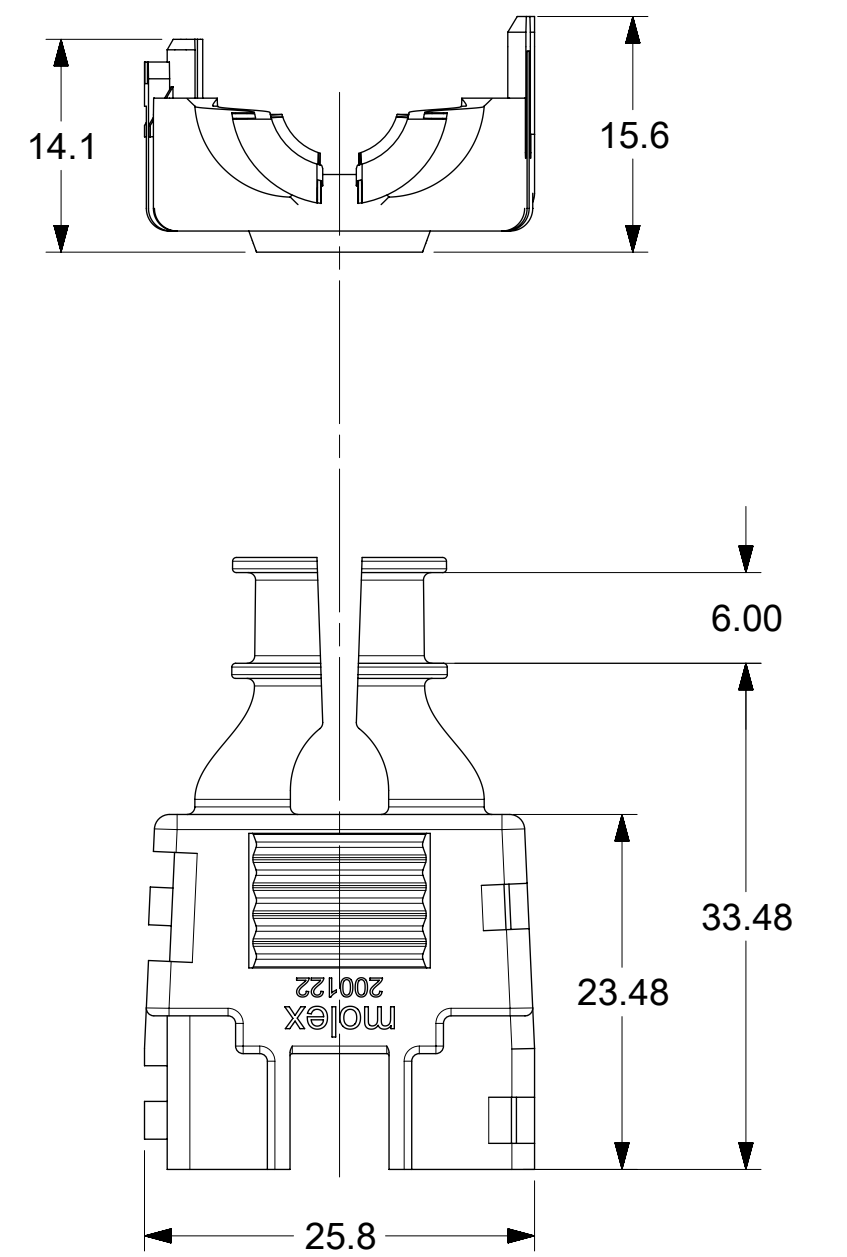
200122-0*12



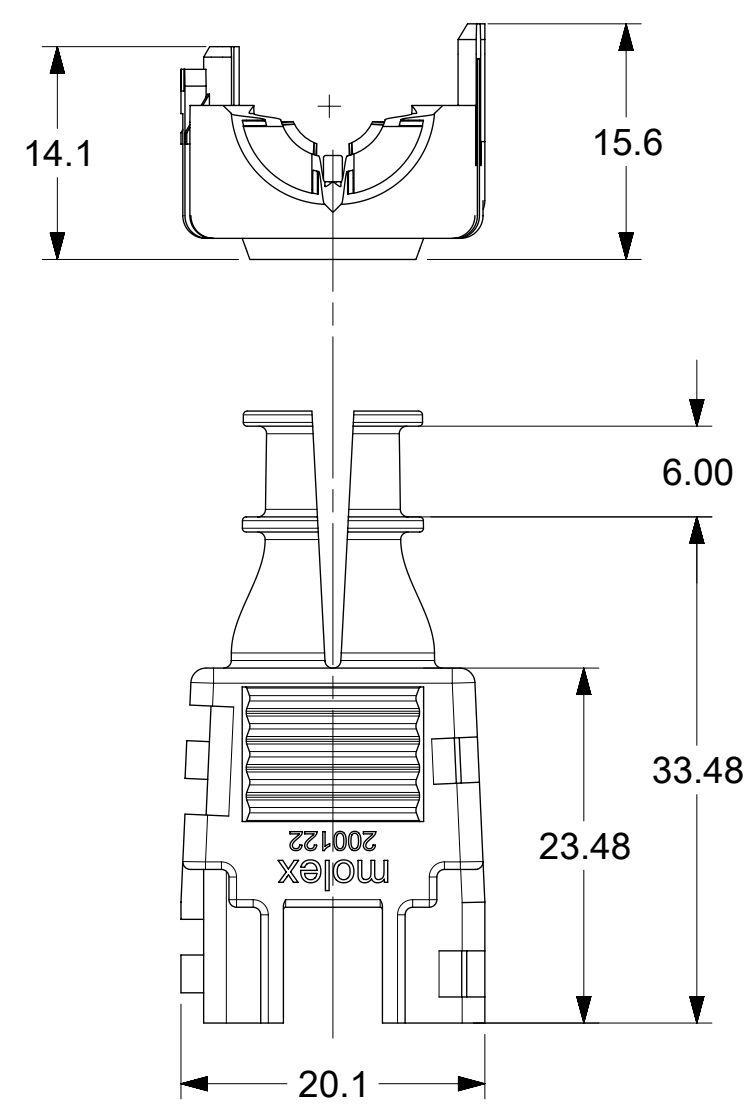
200122-0*10



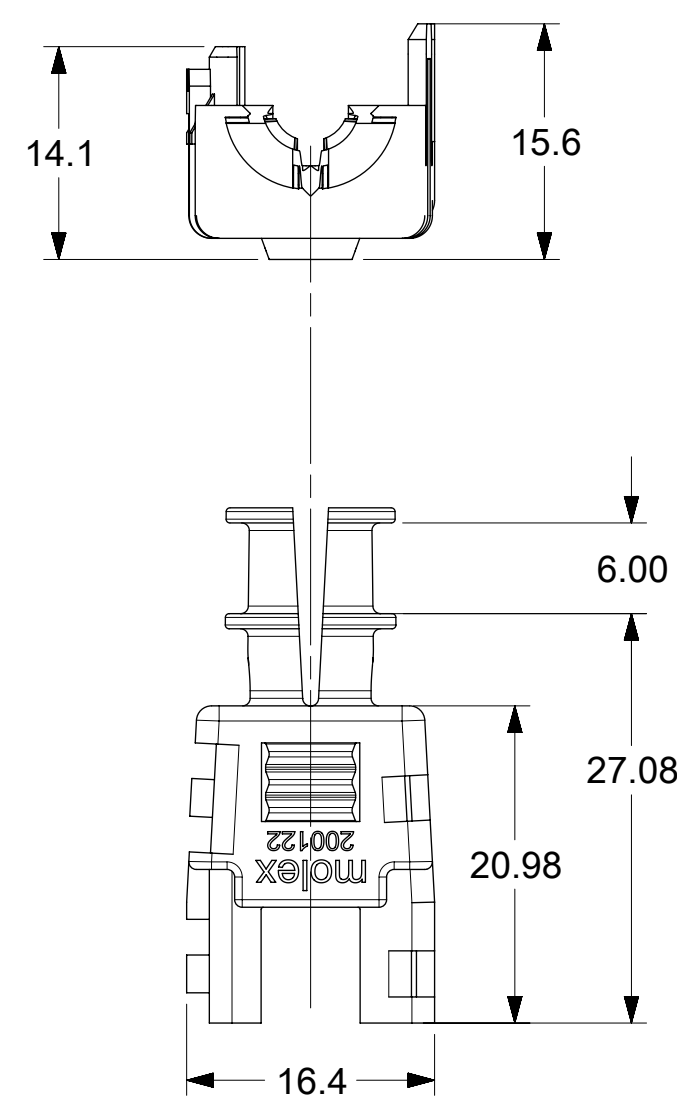
200122-0*08



200122-0*06



200122-0*04



200122-0*02

THIS DRAWING CONTAINS INFORMATION THAT IS PROPRIETARY TO MOLEX INCORPORATED AND SHOULD NOT BE USED WITHOUT WRITTEN PERMISSION											
EC DESCRIPTION EC NO: 109352 DRWN: TGREGORI CHK'D: RHOJGE REV APPR: #	QUALITY SYMBOLS	GENERAL TOLERANCES (UNLESS SPECIFIED)	DIMENSION UNITS	SCALE							
	▽ = 0	ANGULAR TOL ± 0.5 °	MM	1:1							
	▽ = 0	4 PLACES ±	DRWN BY	DATE	RECEPTACLE BACKSHELL, DUAL ROW MEGA-FIT						
	▽ = 4	3 PLACES ±	TGREGORI	2015/09/15							
	2 PLACES ± 0.25	CHK'D BY	DATE	PRODUCT CUSTOMER DRAWING							
	1 PLACE ± 0.4	TGREGORI	2015/09/29								
	0 PLACES ±	APPR BY	DATE	SERIES: 200122 MATERIAL NUMBER: SEE SHEET 2 CUSTOMER:							
A1	DRAFT WHERE APPLICABLE MUST REMAIN WITHIN DIMENSIONS	DRAWING SIZE	THIRD ANGLE PROJECTION	DOCUMENT NUMBER: 2001220000 DOC TYPE: PSD DOC PART: 000 SHEET NUMBER: 2 OF 2							
		C									