



Chipsmall Limited consists of a professional team with an average of over 10 year of expertise in the distribution of electronic components. Based in Hongkong, we have already established firm and mutual-benefit business relationships with customers from,Europe,America and south Asia,supplying obsolete and hard-to-find components to meet their specific needs.

With the principle of “Quality Parts,Customers Priority,Honest Operation,and Considerate Service”,our business mainly focus on the distribution of electronic components. Line cards we deal with include Microchip,ALPS,ROHM,Xilinx,Pulse,ON,Everlight and Freescale. Main products comprise IC,Modules,Potentiometer,IC Socket,Relay,Connector.Our parts cover such applications as commercial,industrial, and automotives areas.

We are looking forward to setting up business relationship with you and hope to provide you with the best service and solution. Let us make a better world for our industry!



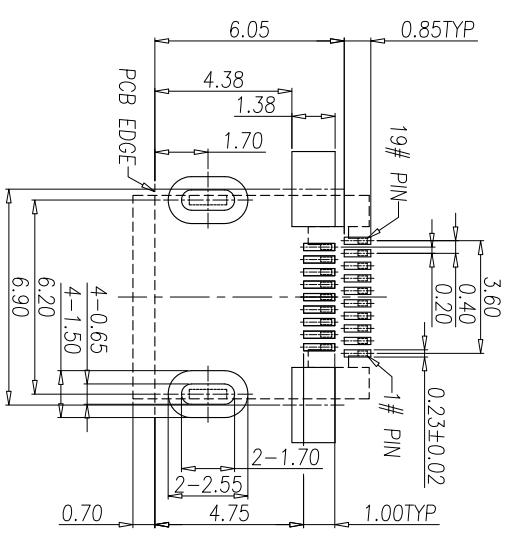
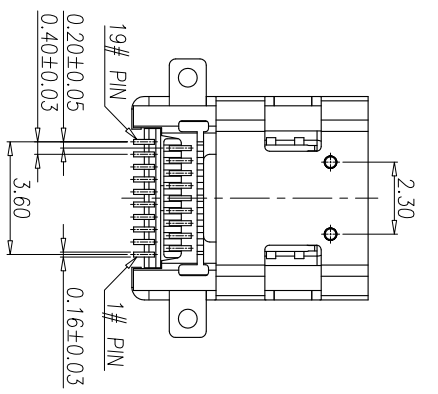
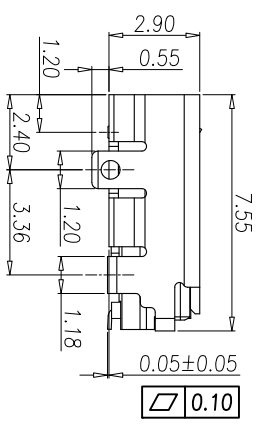
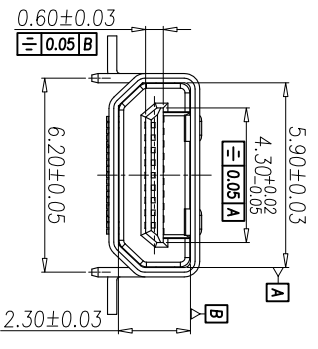
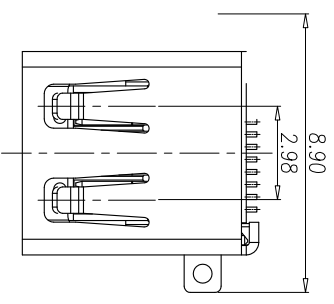
## Contact us

Tel: +86-755-8981 8866 Fax: +86-755-8427 6832

Email & Skype: info@chipsmall.com Web: www.chipsmall.com

Address: A1208, Overseas Decoration Building, #122 Zhenhua RD., Futian, Shenzhen, China





RECOMMENDED PCB LAYOUT (T:0.60mm)  
TOLERANCE UNSPECIFIED ±0.05mm

NOTES:

1.) MATERIAL:

- 1-1. HOUSING: LCP, UL 94V-0, COLOR: BLACK;
- 1-2. CONTACT: COPPER ALLOY T=0.12;
- 1-3. SHELL: COPPER ALLOY T=0.30mm;

2.) FINISH:

- 2-1. CONTACT: Au PLATING ON CONTACT AREA, (SEE P/N DESCRIBING) MATTE PURE Sn 100u" MIN. PLATING ON SOLDER TAILS, 50u" MIN. Ni UNDERPLATING OVERALL;

3.) SPECIFICATIONS:

- 3-1. VOLTAGE RATING: 40V
- 3-2. CURRENT RATING: 0.3A
- 3-3. INSULATION RESISTANCE: 100MEG.OHM MIN
- 3-4. CONTACT RESISTANCE: 30 MILL.OHM MAX
- 3-5. OPERATION TEMPERATURE: -20° TO +85°
- 3-6. INSERT FORCE: 44.1N MAX
- 3-7. EXTRACT FORCE: 5~25N
- 3-8. DURABILITY: 5000 CYCLES

14/01/17	Jody		NEW DWG		AO			
DATE	DR.BY	ECN.NO.	DESCRIPTION	MARK	VER.			
UNLESS OTHERWISE SPECIFIED			<h1>CnC Tech, LLC</h1> <p><small>HDMI Connector D Type 19P Female SMT TITLE: Shell Tail - 2 Front DIP 2 Back SMT, Contact 15u" Gold Plated, Black</small></p>					
-TOLERANCES-								
X.X	±0.38	X.X°				±2°	APPD:	PRODUCT NO: <b>2002-1-2-50-30-BK</b>
X.XX	±0.25	X.XX°				±1°	CHECK:	DATE: 2014/01/17
X.XXX	±0.13	X.XXX°	±0.5°	DRAW:	SCALE: 1:1			
				UNIT: mm	TYPE: Z			
				PAGE: 1/1				