



Chipsmall Limited consists of a professional team with an average of over 10 year of expertise in the distribution of electronic components. Based in Hongkong, we have already established firm and mutual-benefit business relationships with customers from,Europe,America and south Asia,supplying obsolete and hard-to-find components to meet their specific needs.

With the principle of “Quality Parts,Customers Priority,Honest Operation,and Considerate Service”,our business mainly focus on the distribution of electronic components. Line cards we deal with include Microchip,ALPS,ROHM,Xilinx,Pulse,ON,Everlight and Freescale. Main products comprise IC,Modules,Potentiometer,IC Socket,Relay,Connector.Our parts cover such applications as commercial,industrial, and automotives areas.

We are looking forward to setting up business relationship with you and hope to provide you with the best service and solution. Let us make a better world for our industry!



Contact us

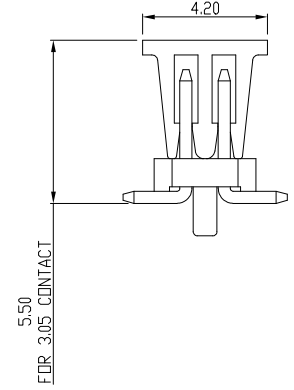
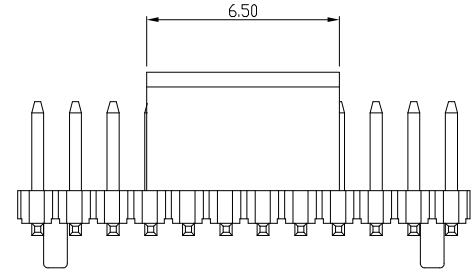
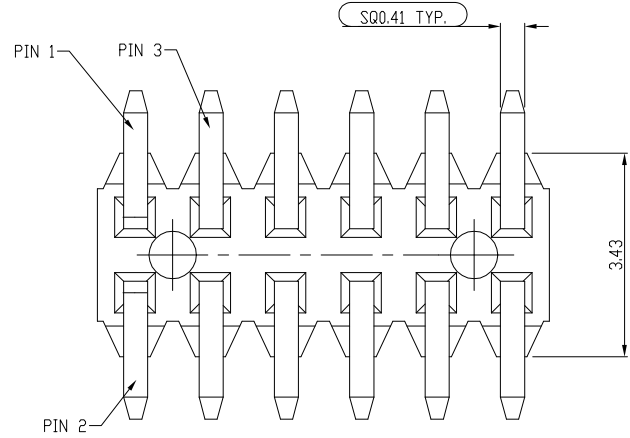
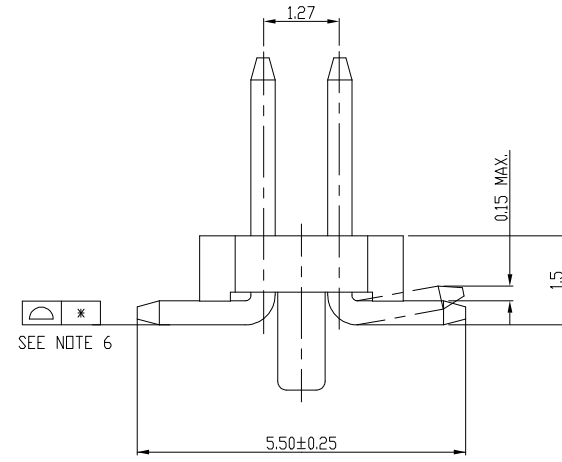
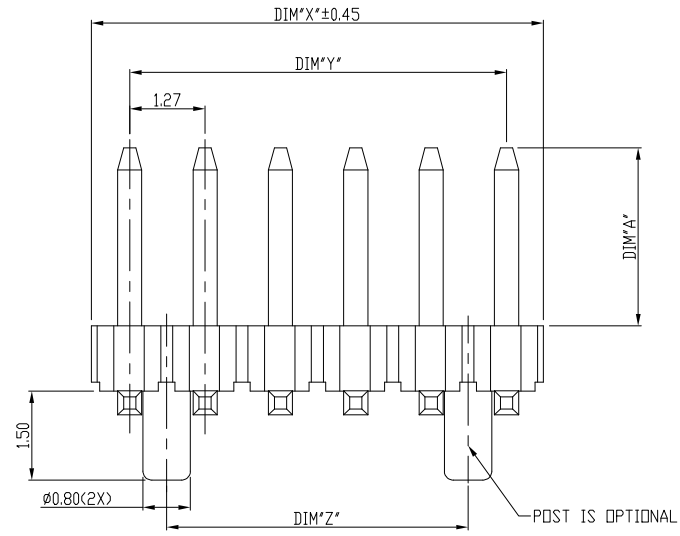
Tel: +86-755-8981 8866 Fax: +86-755-8427 6832

Email & Skype: info@chipsmall.com Web: www.chipsmall.com

Address: A1208, Overseas Decoration Building, #122 Zhenhua RD., Futian, Shenzhen, China



PART NO.
20021121



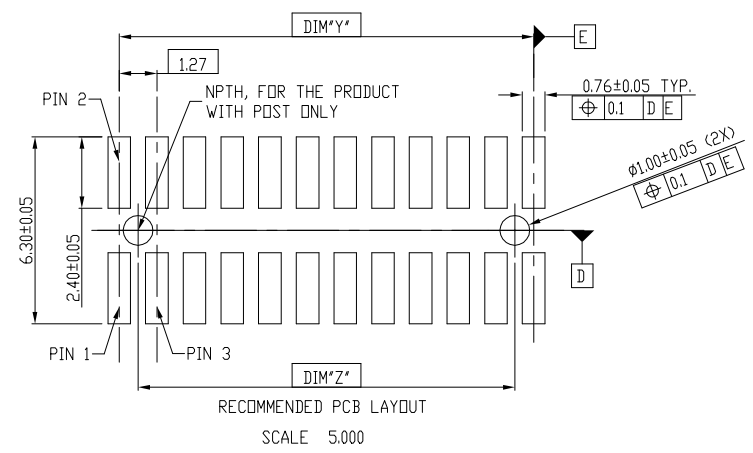
PRODUCT WITH CAP

- NOTES:
- MATERIAL:
HOUSING: HIGH TEMPERATURE THERMOPLASTIC, UL94-V0 BLACK.
TERMINAL: COPPER ALLOY
 - THE HOUSING WILL WITHSTAND EXPOSURE TO 260°C PEAK TEMPERATURE FOR 10 SECONDS IN A CONVECTION INFRA-RED OR VAPOR PHASE REFLOW OVEN.
 - THIS PRODUCT MEETS EUROPEAN UNION DIRECTIVES AND OTHER COUNTRY REGULATIONS AS DESCRIBED IN GS-22-008.
 - PRODUCT SPEC: GS-12-629
 - PACKAGE SPEC: GS-14-1420
 - 6.04~38 PDS: 0.1mm
40~100 PDS: 0.14mm

mat'l. code		surface ISO 1302 ✓		tolerance ISO 406 ISO 1101		projection		product family	
ltr		ecn no		dr		date		MINITEK127®	
L		ELX-N-23548		TIM		03/21/16		title	
M		ELX-N-23949		TIM		04/26/16		UNSHROUDED HDR VT SMT	
N		ELX-N-28817		TONY		12/18/17		scale 1:1	
dr		ZK HU		8/1/12		Amphenol FCI		dwg no	
engr		ZK HU		8/1/12				sheet 1 of 2	
chr		BIAN RICK		8/1/12				size	
appd		BIAN RICK		8/1/12				20021121	
sheet index		revision sheet		N 1		N 2		type	
								Product Customer Drawing	

PART NO.	POS.	DIM*X"	DIM*Y"	DIM*Z"
20021121-X0X04XXLF	2 X 2	2.54	1.27	0
20021121-X0X06XXLF	2 X 3	3.81	2.54	1.27
20021121-X0X08XXLF	2 X 4	5.08	3.81	2.54
20021121-X0X10XXLF	2 X 5	6.35	5.08	3.81
20021121-X0X12XXLF	2 X 6	7.62	6.35	5.08
20021121-X0X14XXLF	2 X 7	8.89	7.62	6.35
20021121-X0X16XXLF	2 X 8	10.16	8.89	7.62
20021121-X0X18XXLF	2 X 9	11.43	10.16	8.89
20021121-X0X20XXLF	2 X 10	12.70	11.43	10.16
20021121-X0X22XXLF	2 X 11	13.97	12.70	11.43
20021121-X0X24XXLF	2 X 12	15.24	13.97	12.70
20021121-X0X26XXLF	2 X 13	16.51	15.24	13.97
20021121-X0X28XXLF	2 X 14	17.78	16.51	15.24
20021121-X0X30XXLF	2 X 15	19.05	17.78	16.51
20021121-X0X32XXLF	2 X 16	20.32	19.05	17.78
20021121-X0X34XXLF	2 X 17	21.59	20.32	19.05
20021121-X0X36XXLF	2 X 18	22.86	21.59	20.32
20021121-X0X38XXLF	2 X 19	24.13	22.86	21.59
20021121-X0X40XXLF	2 X 20	25.40	24.13	22.86
20021121-X0X42XXLF	2 X 21	26.67	25.40	24.13
20021121-X0X44XXLF	2 X 22	27.94	26.67	25.40
20021121-X0X46XXLF	2 X 23	29.21	27.94	26.67
20021121-X0X48XXLF	2 X 24	30.48	29.21	27.94
20021121-X0X50XXLF	2 X 25	31.75	30.48	29.21
20021121-X0X52XXLF	2 X 26	33.02	31.75	30.48
20021121-X0X54XXLF	2 X 27	34.29	33.02	31.75
20021121-X0X56XXLF	2 X 28	35.56	34.29	33.02
20021121-X0X58XXLF	2 X 29	36.83	35.56	34.29
20021121-X0X60XXLF	2 X 30	38.10	36.83	35.56
20021121-X0X62XXLF	2 X 31	39.37	38.10	36.83
20021121-X0X64XXLF	2 X 32	40.64	39.37	38.10
20021121-X0X66XXLF	2 X 33	41.91	40.64	39.37
20021121-X0X68XXLF	2 X 34	43.18	41.91	40.64
20021121-X0X70XXLF	2 X 35	44.45	43.18	41.91
20021121-X0X72XXLF	2 X 36	45.72	44.45	43.18
20021121-X0X74XXLF	2 X 37	46.99	45.72	44.45
20021121-X0X76XXLF	2 X 38	48.26	46.99	45.72
20021121-X0X78XXLF	2 X 39	49.53	48.26	46.99
20021121-X0X80XXLF	2 X 40	50.80	49.53	48.26
20021121-X0X82XXLF	2 X 41	52.07	50.80	49.53
20021121-X0X84XXLF	2 X 42	53.34	52.07	50.80
20021121-X0X86XXLF	2 X 43	54.61	53.34	52.07
20021121-X0X88XXLF	2 X 44	55.88	54.61	53.34
20021121-X0X90XXLF	2 X 45	57.15	55.88	54.61

PART NO.	POS.	DIM*X"	DIM*Y"	DIM*Z"
20021121-X0X92XXLF	2 X 46	58.42	57.15	55.88
20021121-X0X94XXLF	2 X 47	59.69	58.42	57.15
20021121-X0X96XXLF	2 X 48	60.96	59.69	58.42
20021121-X0X98XXLF	2 X 49	62.23	60.96	59.69
20021121-X0XA0XXLF	2 X 50	63.50	62.23	60.96



20021121-X X X XX X X LF

- LEAD FREE
- PLATING ON CONTACT AREA
 - 1: GOLD FLASH AT CONTACT, 1.27um MIN. MATTE TIN AT TAIL
 - 2: GOLD FLASH AT CONTACT, GOLD FLASH AT TAIL
 - 4: 0.25um Au MIN. AT CONTACT, 1.27um MIN.MATTE TIN AT TAIL
 - 5: 0.25um Au MIN. AT CONTACT, GOLD FLASH AT TAIL
 - 6: 0.38um GXT MIN. AT CONTACT, 1.27um MIN.MATTE TIN AT TAIL
 - 7: 0.38um GXT MIN. AT CONTACT, GOLD FLASH AT TAIL
 - 8: 0.76um GXT MIN. AT CONTACT, 1.27um MIN.MATTE TIN AT TAIL
 - 9: 0.76um GXT MIN. AT CONTACT, GOLD FLASH AT TAIL
- PACKING STYLE
 - T: TUBE
 - D: TUBE + CAP
 - C: TAPE & REEL + CAP
- PIN NO. SEE TABLE
- MATING LENGTH(DIM*A")
 - 0: 3.05MM
- RESERVE CODE
 - 0: STANDARD
- POST OPTION
 - 0: WITHOUT POST
 - 1: WITH POST

Amphenol FCI

© 2016 AFCI

mat'l. code		surface <input checked="" type="checkbox"/> ISO 1302		tolerance <input checked="" type="checkbox"/> ISO 406		projection <input checked="" type="checkbox"/> ISO 1101		product family	
ltr		ecn no		dr		date		MINITEK127®	
N								title	
								UNSHROUDED HDR VT SMT	
								dwg no	
								sheet 2 of 2	
								size	
								A3	
								type	
								Product Customer Drawing	
sheet index		revision sheet		N N		1 2			