



Chipsmall Limited consists of a professional team with an average of over 10 year of expertise in the distribution of electronic components. Based in Hongkong, we have already established firm and mutual-benefit business relationships with customers from,Europe,America and south Asia,supplying obsolete and hard-to-find components to meet their specific needs.

With the principle of “Quality Parts,Customers Priority,Honest Operation,and Considerate Service”,our business mainly focus on the distribution of electronic components. Line cards we deal with include Microchip,ALPS,ROHM,Xilinx,Pulse,ON,Everlight and Freescale. Main products comprise IC,Modules,Potentiometer,IC Socket,Relay,Connector.Our parts cover such applications as commercial,industrial, and automotives areas.

We are looking forward to setting up business relationship with you and hope to provide you with the best service and solution. Let us make a better world for our industry!



Contact us

Tel: +86-755-8981 8866 Fax: +86-755-8427 6832

Email & Skype: info@chipsmall.com Web: www.chipsmall.com

Address: A1208, Overseas Decoration Building, #122 Zhenhua RD., Futian, Shenzhen, China



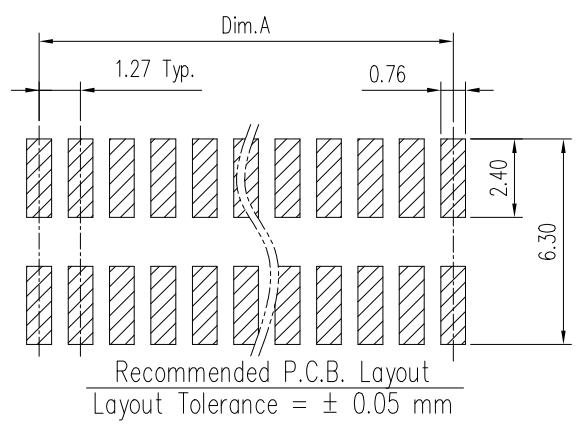
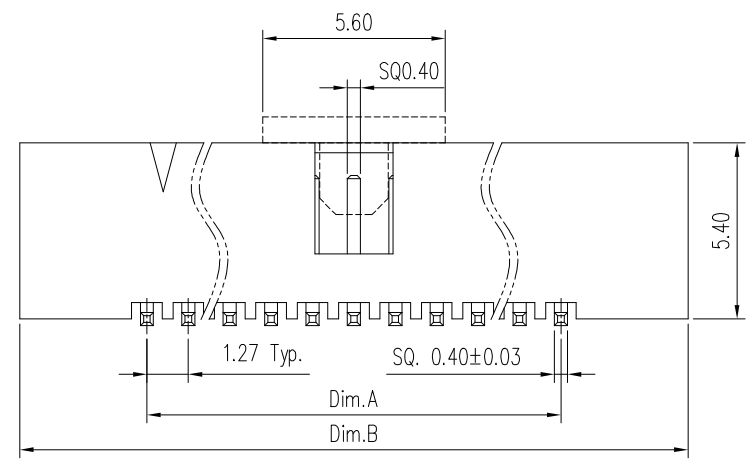
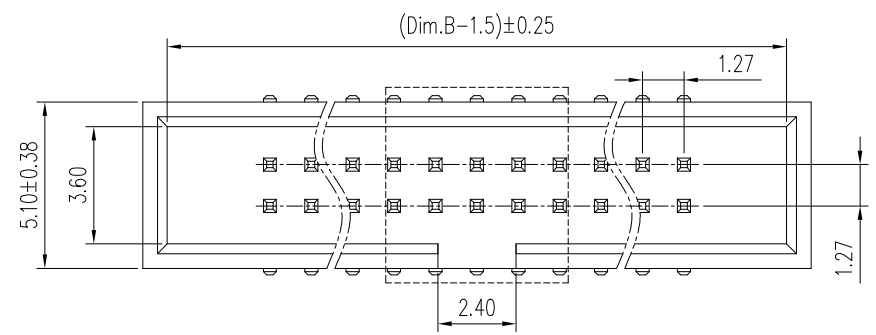
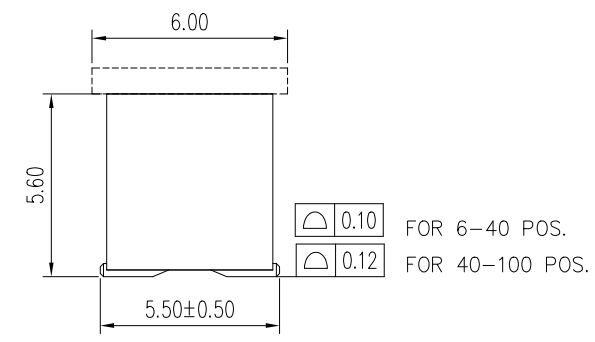


TABLE 1 ,DIM INFORMATION

DASH No.	Dim.	Amount of Pins	Dim.A	Dim.B
-00X 06 XX LF	06	06	2.54	10.11
-00X 08 XX LF	08	08	3.81	11.38
-00X 10 XX LF	10	10	5.08	12.65
-00X 12 XX LF	12	12	6.35	13.92
-00X 14 XX LF	14	14	7.62	15.19
-00X 16 XX LF	16	16	8.89	16.46
-00X 20 XX LF	20	20	11.43	19.00
-00X 22 XX LF	22	22	12.70	20.27
-00X 26 XX LF	26	26	15.24	22.81

DASH No.	Dim.	Amount of Pins	Dim.A	Dim.B
-00X 30 XX LF	30	30	17.78	25.35
-00X 34 XX LF	34	34	20.32	27.89
-00X 40 XX LF	40	40	24.13	31.70
-00X 44 XX LF	44	44	26.67	34.24
-00X 50 XX LF	50	50	30.48	38.05
-00X 60 XX LF	60	60	36.83	44.40
-00X 64 XX LF	64	64	39.37	46.94
-00X 68 XX LF	68	68	41.91	49.48
-00X 80 XX LF	80	80	49.53	57.10
-00X A0 XX LF	100	100	62.23	69.90



DIM. A	PINS	TOLERANCE
2-60	PINS	± 0.20
62-100	PINS	± 0.30

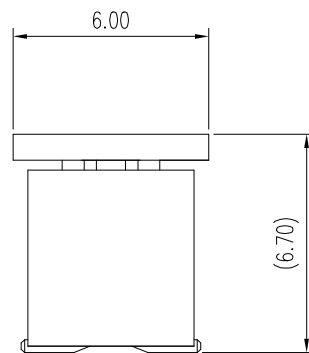
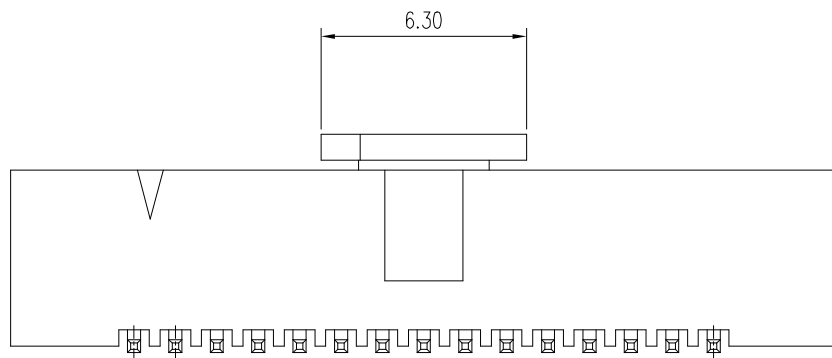
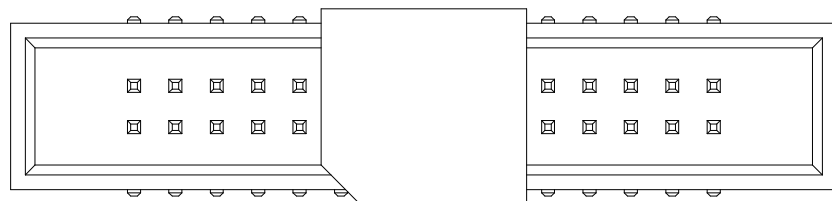
mat'l. code		surface ISO 1302 ✓		tolerance ISO 406 ISO 1101		projection		product family	
ltr		ecn no		dr		date		MINITEK	
H		ELX-N-011951		ZK		2012-06-15		title	
J		ELX-N-14099		TIM		2013-02-25		1.27X1.27MM BTB HEADER SHROUDED SMT	
K		ELX-N-17601		TIM		2014-04-30		dwg no	
L		ELX-N-19182		TIM		2014-10-24		sheet 1 of 2	
M		ELX-N-28314		TONY		2017-10-31		size	
N		ELX-N-28945		TONY		2018-03-13		A3	
				appd		JOSEPH		2009-09-15	
sheet index		revision sheet		N N		1 2		type Product Customer Drawing	



Amphenol
FCI

© 2016 AFCI

D



NOTE:

1. MATERIAL,
HOUSING: HIGH TEMP PLASTIC, UL94-V0, BLACK
TERMINAL: COPPER ALLOY , SQ=0.40±0.03MM
2. FINISH:
TERMINAL: SEE PN STRUCTURE.
3. SPEC.:
PRODUCT SPEC: GS-12-629
PACKING SPEC: GS-14-1420
4. THE HSG. WILL WITHSTAND EXPOSURE TO 260C
PEAK TEMP. FOR 10 SEC. IN A CONVECTION, INFRA-RED
OR VAPOR PHASE REFLOW OVEN.
5. PRODUCT NUMBERING:
20021521 - 0 0 X XX X X LF

- LEAD FREE
- PLATING:
1: GOLD FLASH, ALL OVER
4: 0.25um(10U")GOLD AT CONTACT
8: 0.76um(30U")GOLD AT CONTACT
9: 1u" GOLD OVER 30u" PdNi AT CONTACT
- PACKING
T: TUBE
D: TUBE+CAP
C: TAPE&REEL+CAP(P:12mm)
E: TAPE&REEL+CAP(P:16mm)
Q: TAPE&REEL W/O CAP(P:12mm)
- PIN COUNT
SEE TABLE 1
- CONFIG
0: NO CAP OR WITH NYLON CAP
1: WITH LCP CAP

CONFIG 1: 20021521-001XXXXLF
WITH EDGE CUT CAP, OTHER DIMENSIONS SEE SHEET 1

mat'l. code		surface ISO 1302 ✓		tolerance ISO 406 ISO 1101		projection 1101		product family MINITEK			
ltr	ecn no	dr	date	tolerances unless otherwise specified		mm		title 1.27X1.27MM BTB HEADER SHROUDED SMT			
				angles	linear	mm		scale 5:1		dwg no 20021521	
				0°±2'						sheet 2 of 2 size A3	
				dr	STERLING LIN	2009-09-15		Amphenol FCI		type Product Customer Drawing	
				eng	STERLING LIN	2009-09-15					
				chr	GRAY HSIEH	2009-09-15					
				appd	JOSEPH	2009-09-15					
sheet index	revision sheet	N	N								
		1	2								