



Chipsmall Limited consists of a professional team with an average of over 10 year of expertise in the distribution of electronic components. Based in Hongkong, we have already established firm and mutual-benefit business relationships with customers from,Europe,America and south Asia,supplying obsolete and hard-to-find components to meet their specific needs.

With the principle of “Quality Parts,Customers Priority,Honest Operation,and Considerate Service”,our business mainly focus on the distribution of electronic components. Line cards we deal with include Microchip,ALPS,ROHM,Xilinx,Pulse,ON,Everlight and Freescale. Main products comprise IC,Modules,Potentiometer,IC Socket,Relay,Connector.Our parts cover such applications as commercial,industrial, and automotives areas.

We are looking forward to setting up business relationship with you and hope to provide you with the best service and solution. Let us make a better world for our industry!



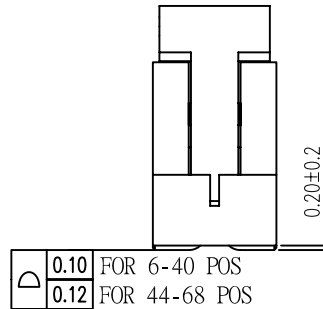
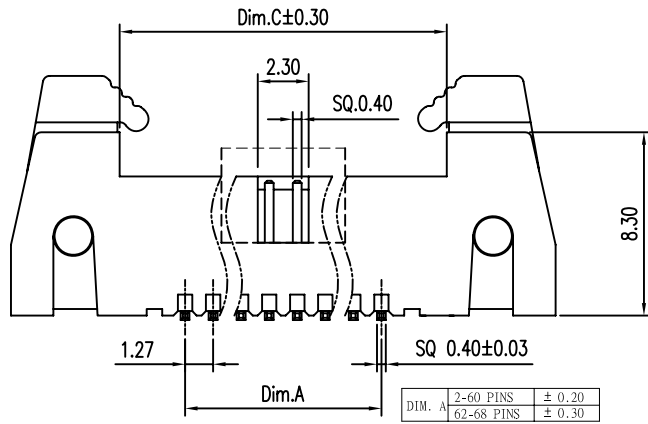
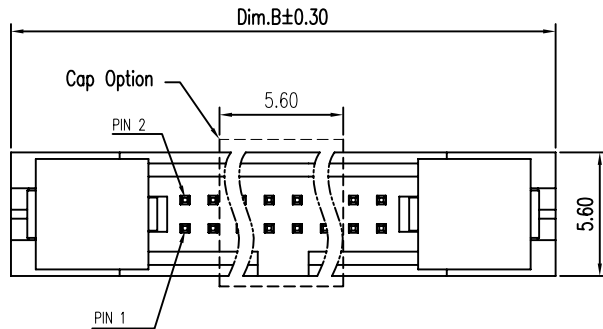
## Contact us

Tel: +86-755-8981 8866 Fax: +86-755-8427 6832

Email & Skype: info@chipsmall.com Web: www.chipsmall.com

Address: A1208, Overseas Decoration Building, #122 Zhenhua RD., Futian, Shenzhen, China





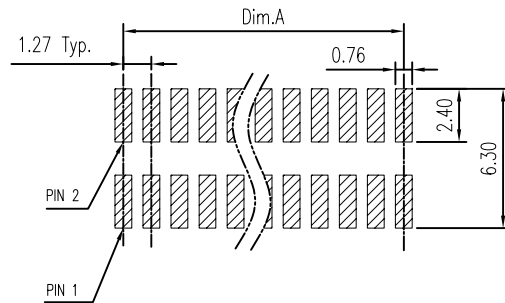
NOTE:

- MATERIAL:  
HOUSING: HIGH TEMP PLASTIC, UL94-V0, BLACK  
TERMINAL: COPPER ALLOY, SQ=0.40±0.03MM
- FINISH:  
TERMINAL: GOLD AT CONTACT,  
G/F OVER 1um(40u")MIN Ni OVER ALL
- SPEC.:  
PRODUCT SPEC: GS-12-629  
PACKING SPEC: GS-14-1420
- THE HSG. WILL WITHSTAND EXPOSURE TO 260C PEAK TEMP. FOR 10 SEC. IN A CONVECTION INFRA-RED OR VAPOR PHASE REFLOW OVEN.
- PRODUCT NUMBERING:  
20021621 - 0 0 0 XX X X LF

LEAD FREE  
PLATING:  
1:GOLD FLASH ALL OVER  
4:0.25um(10U")GOLD AT CONTACT  
8:0.76um(30U")GOLD AT CONTACT  
9:1u" GOLD OVER 30u" PdNi AT CONTACT  
PACKING  
T: TUBE  
D: TUBE + CAP  
C: T&R + CAP (30 POS)  
PIN COUNT  
SEE TABLE 1

TABLE 1

DASH No.	Dim.	Amount of Pins	Dim.A	Dim.B	Dim.C
-000 06 XX LF	6	6	2.54	18.31	8.46
-000 10 XX LF	10	10	5.08	20.85	11.00
-000 12 XX LF	12	12	6.35	22.12	12.27
-000 14 XX LF	14	14	7.62	23.39	13.54
-000 16 XX LF	16	16	8.89	24.66	14.81
-000 20 XX LF	20	20	11.43	27.20	17.35
-000 26 XX LF	26	26	15.24	31.01	21.16
-000 30 XX LF	30	30	20.32	36.09	26.24
-000 34 XX LF	34	34	24.13	39.90	30.05
-000 40 XX LF	40	40	24.13	39.90	30.05
-000 44 XX LF	44	44	26.67	42.44	32.59
-000 50 XX LF	50	50	30.48	46.25	36.40
-000 60 XX LF	60	60	36.83	52.60	42.75
-000 64 XX LF	64	64	39.37	55.14	45.29
-000 66 XX LF	66	66	40.64	56.41	46.56
-000 68 XX LF	68	68	41.91	57.68	47.83



mat'l. code		surface ISO1302 ✓		tolerance ISO1101 ISO406		projection MM		product family MINITEK	
ltr		ecn no dr date		tolerances unless otherwise specified		title		1.27X1.27MM BTB EJECT HEADER SMT	
A		T09-1117 S.LIN 09/15/09		angles		0.X±0.38		dwg no	
B		T10-0027 S.LIN 01/20/10		in		0.XX±0.25		sheet 1 of 1	
C		T-005600 S.LIN 01/16/12		0°±2'		0.XXX±0.10		size	
D		ELX-N-010367 ZK 01/16/12 dr		STERLING LIN		09/15/09		A4	
E		ELX-N-010623 ZK 02/12/12 eng		STERLING LIN		09/15/09		20021621	
F		ELX-N-1727 TIM 03/20/14 chr		GRAY HSEH		09/15/09		type Product Customer Drawing	
sheet index		revision F		appd JOSEPH		09/15/09			
sheet		1							