



Chipsmall Limited consists of a professional team with an average of over 10 year of expertise in the distribution of electronic components. Based in Hongkong, we have already established firm and mutual-benefit business relationships with customers from,Europe,America and south Asia,supplying obsolete and hard-to-find components to meet their specific needs.

With the principle of “Quality Parts,Customers Priority,Honest Operation,and Considerate Service”,our business mainly focus on the distribution of electronic components. Line cards we deal with include Microchip,ALPS,ROHM,Xilinx,Pulse,ON,Everlight and Freescale. Main products comprise IC,Modules,Potentiometer,IC Socket,Relay,Connector.Our parts cover such applications as commercial,industrial, and automotives areas.

We are looking forward to setting up business relationship with you and hope to provide you with the best service and solution. Let us make a better world for our industry!



Contact us

Tel: +86-755-8981 8866 Fax: +86-755-8427 6832

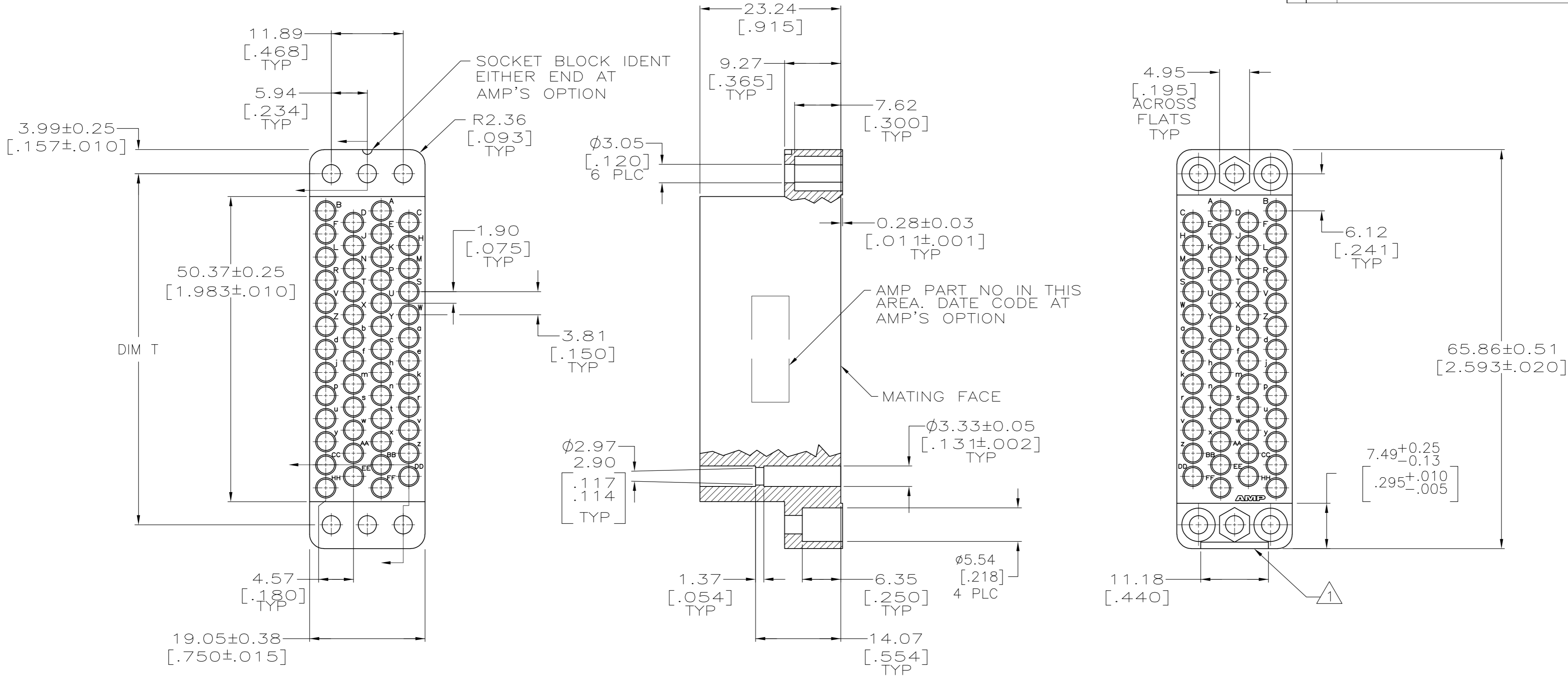
Email & Skype: info@chipsmall.com Web: www.chipsmall.com

Address: A1208, Overseas Decoration Building, #122 Zhenhua RD., Futian, Shenzhen, China



THIS DRAWING IS UNPUBLISHED. RELEASED FOR PUBLICATION
 © COPYRIGHT BY TYCO ELECTRONICS CORPORATION. ALL RIGHTS RESERVED.

LOC		DIST		REVISIONS			
P	LTR	DESCRIPTION	DATE	DWN	APVD		
		AN1	REVISED PER ECO-07-028849	12/6/07	SS	GS	



- ① DEPRESSION OPTIONAL AT EITHER END.
- ② PHENOLIC PER MIL-M-14, TYPE CFG, BLACK.
- ③ DIALLYL PHTHALATE PER MIL-M-14, TYPE SDG-F, BLUE.
- 4. WHEN MATING WITH BLOCK 201358 ACCOMODATES TYPE II OR TYPE III+ #16 PIN OR SOCKET CONTACTS.
- ⑤ 5.54^{+0.13}_{-0.00} [.218^{+0.005}_{-.000}] WHEN USING JACKSCREWS.

RECOMMENDED
PANEL CUTOUT

DIM T	MATERIAL	PART NUMBER
2.281 ^{+0.015} _{-0.000}	③	200277-4
2.281 ^{+0.005} _{-0.003}	②	200277-2

THIS DRAWING IS A CONTROLLED DOCUMENT.		DWN B.CARBO 11 AUG 97	Tyco Electronics Corporation Harrisburg, PA 17105-3608	
DIMENSIONS: mm [INCHES]		CHK R.STONE 18 AUG 97	NAME	
TOLERANCES UNLESS OTHERWISE SPECIFIED:		APVD G.STEINHAUER 05 SEP 97	BLOCK, FEMALE, 50 POS, MINIATURE RECTANGULAR, M SERIES	
0 PLC ± -		PRODUCT SPEC	SIZE A2	CAGE CODE 00779
1 PLC ± -		APPLICATION SPEC	DRAWING NO C=200277	RESTRICTED TO
2 PLC ± 0.13 [.005]		WEIGHT -	SCALE 2:1	SHEET 1 OF 1
3 PLC ± -		CUSTOMER DRAWING	REV AN1	
4 PLC ± -				
ANGLES ± -				
FINISH -				