



Chipsmall Limited consists of a professional team with an average of over 10 year of expertise in the distribution of electronic components. Based in Hongkong, we have already established firm and mutual-benefit business relationships with customers from,Europe,America and south Asia,supplying obsolete and hard-to-find components to meet their specific needs.

With the principle of “Quality Parts,Customers Priority,Honest Operation,and Considerate Service”,our business mainly focus on the distribution of electronic components. Line cards we deal with include Microchip,ALPS,ROHM,Xilinx,Pulse,ON,Everlight and Freescale. Main products comprise IC,Modules,Potentiometer,IC Socket,Relay,Connector.Our parts cover such applications as commercial,industrial, and automotives areas.

We are looking forward to setting up business relationship with you and hope to provide you with the best service and solution. Let us make a better world for our industry!



Contact us

Tel: +86-755-8981 8866 Fax: +86-755-8427 6832

Email & Skype: info@chipsmall.com Web: www.chipsmall.com

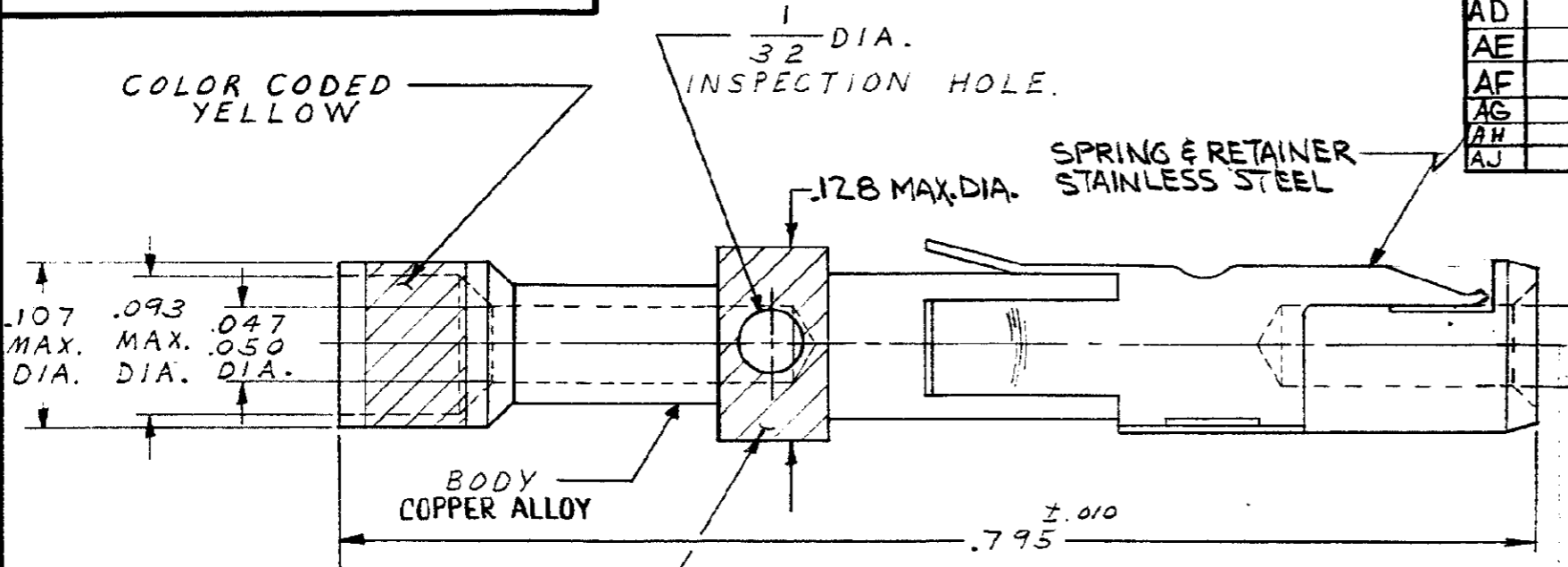
Address: A1208, Overseas Decoration Building, #122 Zhenhua RD., Futian, Shenzhen, China



© 1959 BY AMP INCORPORATED. ALL RIGHTS RESERVED. AMP PRODUCTS COVERED BY PATENTS AND/OR PATENTS PENDING.

NUMBER 200331

REVISIONS				
SYM	ZONE	DESCRIPTION	DATE	APPROVAL
AC		OBSOLETE -3 & -7 ECN D-260	9/12/74	DS
AD		REVISED ECN S4142	9-17-87	THW
AE		OBSOLETE -8 PER ECN S4350	12-15-87	THW
AF		OBSOLETE 1-0 PER ECN S4623	5-17-88	THW
AG		OBS-2 & -9 PER ECN S4359	2/7/89	THW
AH		REV PER ECN BD 2619	3-20-89	THW
AJ		OBS-4, -5 & -6 PER ECN BD 3038	10-11-89	J.T.



WHEN ORDERING CONTACT ON TAPE, ORDER BY THE TAPE NUMBER PLUS THE PACKAGING CODE AS FOLLOWS:
 1. FOR USE WITH AMP TAPETRONIC, PNEUMATIC TOOL -
 A. 1000 PARTS TO A BOX ADD PACKAGING CODE: 1MBOX
 2. FOR USE WITH 4/8 INDENT STRIPPER CRIMPER -
 A. 1000 PARTS TO A REEL ADD PACKAGING CODE: 1MREEL
 B. 5000 PARTS TO A REEL ADD PACKAGING CODE: 5MREEL

OBSOLETE	200331-9	.00005 MIN GOLD OVER .00003 MIN NICKEL	1-200331-0	OBSOLETE
OBSOLETE	200331-7	.00005 MIN RHOBIUM OVER .00005 MIN POROUS NICKEL		
OBSOLETE	200331-6	.0001 MIN GOLD OVER .00005 MIN NICKEL		
OBSOLETE	200331-5	.000015 MIN GOLD OVER .00005 MIN NICKEL		
OBSOLETE	200331-4	.0001 MIN GOLD OVER .0001 MIN SILVER		
OBSOLETE	200331-3	.00004 GOLD OVER .00003 NICKEL		
OBSOLETE	200331-2	.0001 MIN SILVER OVER .00003 MIN NICKEL		
	200331-1	.00003 MIN GOLD OVER .00005 MIN NICKEL	200331-8	OBSOLETE
	PART NO.	FINISH	TAPE MTD ASSY NO	

NOTE:
 1. PLATING THICKNESS TO BE MEASURED ON SURFACES ACCESSIBLE WITH 1/4 INCH DIAMETER SPHERE.
 2. WIRE SIZE: 20 TO 24

QTY REQD	PART OR IDENTIFYING NO.	NOMENCLATURE OR DESCRIPTION	LIST OF MATERIALS OR PARTS LIST	
UNLESS OTHERWISE SPECIFIED DIMENSIONS ARE IN INCHES TOLERANCES ON			SIGNATURE	DATE
FRACTIONS ± 1/64	DECIMALS ± .015	ANGLES ± 1°		
MATERIAL			DR	
SEE CALL OUT			CHK	
HEAT TREAT			DSGN ENGR	
FINISH			APPR	
AMP INFO			DSGN APPD	
M 10	LOC B039A		OTHER APPD	
			CODE IDENT NO	SIZE NUMBER
			00779	B 200331
			SCALE 10-1	WT CALC ACTUAL SHEET 1 OF 1

AMP TRADEMARK
 AMP INCORPORATED
 HARRISBURG, PENNSYLVANIA
 # 20 CONTACT SOCKET
 TYPE II