



Chipsmall Limited consists of a professional team with an average of over 10 year of expertise in the distribution of electronic components. Based in Hongkong, we have already established firm and mutual-benefit business relationships with customers from,Europe,America and south Asia,supplying obsolete and hard-to-find components to meet their specific needs.

With the principle of “Quality Parts,Customers Priority,Honest Operation,and Considerate Service”,our business mainly focus on the distribution of electronic components. Line cards we deal with include Microchip,ALPS,ROHM,Xilinx,Pulse,ON,Everlight and Freescale. Main products comprise IC,Modules,Potentiometer,IC Socket,Relay,Connector.Our parts cover such applications as commercial,industrial, and automotives areas.

We are looking forward to setting up business relationship with you and hope to provide you with the best service and solution. Let us make a better world for our industry!



## Contact us

Tel: +86-755-8981 8866 Fax: +86-755-8427 6832

Email & Skype: info@chipsmall.com Web: www.chipsmall.com

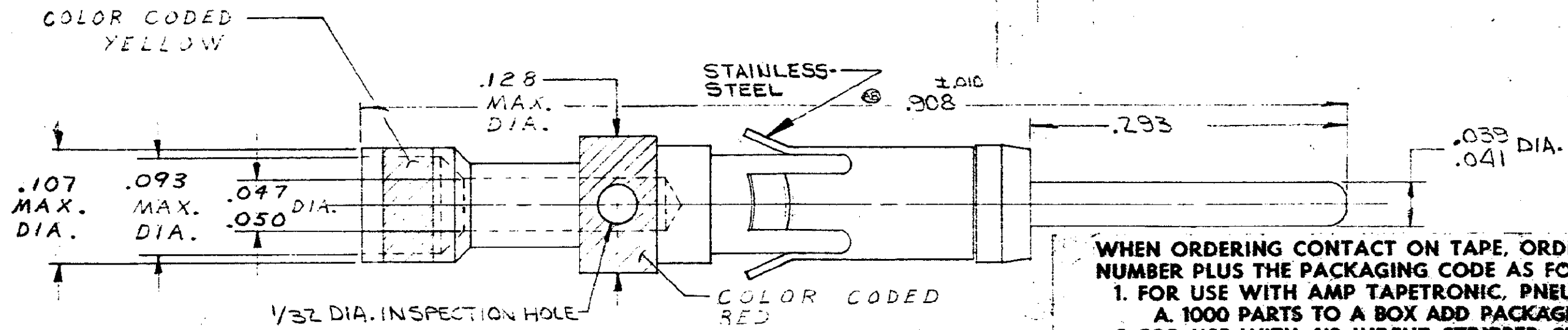
Address: A1208, Overseas Decoration Building, #122 Zhenhua RD., Futian, Shenzhen, China



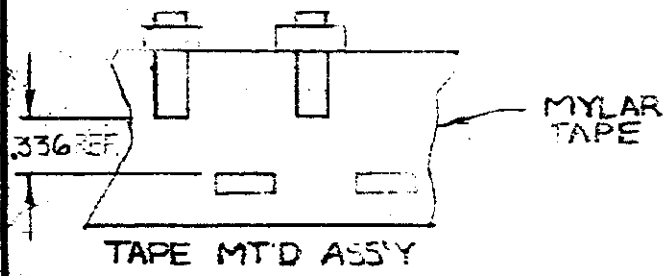
NUMBER 200334

©1959 BY AMP INCORPORATED. ALL RIGHTS RESERVED. AMP PRODUCTS COVERED BY PATENTS AND/OR PATENTS PENDING.

REVISIONS				
SYM	ZONE	DESCRIPTION	DATE	APPROVAL
AJ		OBSCLETE -4-5-6 PER ECN BD 3038	10-11-89	R.L.
AK		OBSCLETE -9-1-0 PER ECN PLE 916	1-14-92	RW



WHEN ORDERING CONTACT ON TAPE, ORDER BY THE TAPE NUMBER PLUS THE PACKAGING CODE AS FOLLOWS:  
 1. FOR USE WITH AMP TAPETRONIC, PNEUMATIC TOOL -  
 A. 1000 PARTS TO A BOX ADD PACKAGING CODE IMBOX  
 2. FOR USE WITH 4/8 INDENT STRIPPER CRIMPER -  
 A. 1000 PARTS TO A REEL ADD PACKAGING CODE IMR  
 B. 5000 PARTS TO A REEL ADD PACKAGING CODE IMR5



NOTE - PLATING THICKNESS TO BE MEASURED ON SURFACES ACCESSIBLE WITH 1/8 INCH DIAMETER SPHERE.

OBSCLETE	1-200334-1	COPPER ALLOY-.0005 GOLD OVER .00030 NICKEL	1-200334-2	OBSCLETE
OBSCLETE	<del>200334-3</del>	<del>COPPER ALLOY-.0005 GOLD OVER .00030 NICKEL</del>		
OBSCLETE	200334-6	COPPER ALLOY-.00100 MIN GOLD OVER .00050 MIN NICKEL		
OBSCLETE	<del>200334-5</del>	<del>COPPER ALLOY-.00015 MIN GOLD OVER .00050 MIN NICKEL</del>	1-200334-0	OBSCLETE
OBSCLETE	<del>200334-4</del>	<del>COPPER ALLOY-.0001 MIN GOLD OVER .0001 MIN SILVER</del>		STAINLESS STEEL
OBSCLETE	<del>200334-5</del>	<del>COPPER ALLOY-.00004 GOLD OVER .00003 NICKEL</del>		
OBSCLETE	<del>200334-2</del>	<del>COPPER ALLOY-.0001 SILVER OVER .00003 NICKEL</del>	200334-7	OBSCLETE
	200334-1	COPPER ALLOY-.00003 MIN GOLD OVER .00005 MIN NICKEL	200334-8	OBSCLETE
	ASS'Y. NO.	BODY	TAPE MTD ASS'Y NO.	RETAINER

QTY REQD	DESCRIPTION	REVISIONS	LIST OF MATERIALS OR PARTS LIST	
			UNLESS OTHERWISE SPECIFIED DIMENSIONS ARE IN INCHES TOLERANCES ON FRACTIONS DECIMALS ANGLES ± 1/64 ± .015 ± 1°	
			SIGNATURE	DATE
			<i>M. Smith</i>	9-3-63
			CHK	7-9-63
			DSGN ENGR	7-4-63
			APPD	7-24-63
			HEAT TREAT	//
			FINISH	SEE TABLE
			OTHER APPD	
			AMP INFO	
			M 7	LOC BD
			PRINT D-39	
			CODE IDENT NO	SIZE NUMBER
			00779	B 200334
			SCALE	CALC ACTUAL SHEET 1 OF 1



AMP INCORPORATED  
HARRISBURG, PENNSYLVANIA

# 20 CONTACT PIN  
TYPE II  
WIRE SIZE 20 TO 24