



Chipsmall Limited consists of a professional team with an average of over 10 year of expertise in the distribution of electronic components. Based in Hongkong, we have already established firm and mutual-benefit business relationships with customers from,Europe,America and south Asia,supplying obsolete and hard-to-find components to meet their specific needs.

With the principle of “Quality Parts,Customers Priority,Honest Operation,and Considerate Service”,our business mainly focus on the distribution of electronic components. Line cards we deal with include Microchip,ALPS,ROHM,Xilinx,Pulse,ON,Everlight and Freescale. Main products comprise IC,Modules,Potentiometer,IC Socket,Relay,Connector.Our parts cover such applications as commercial,industrial, and automotives areas.

We are looking forward to setting up business relationship with you and hope to provide you with the best service and solution. Let us make a better world for our industry!



Contact us

Tel: +86-755-8981 8866 Fax: +86-755-8427 6832

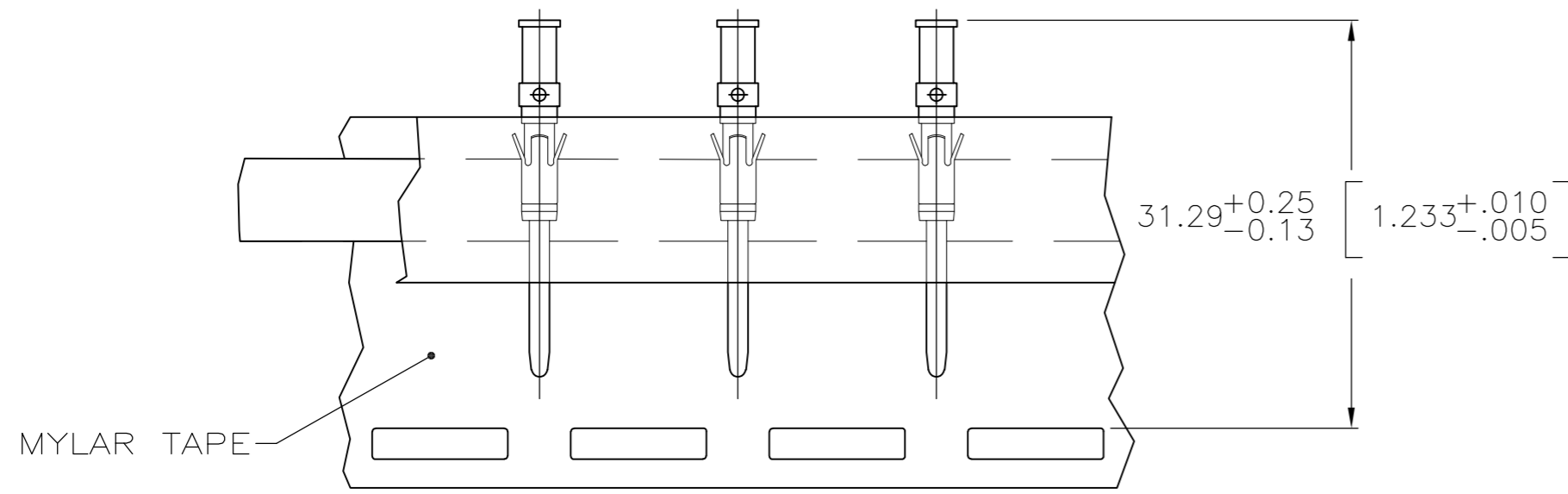
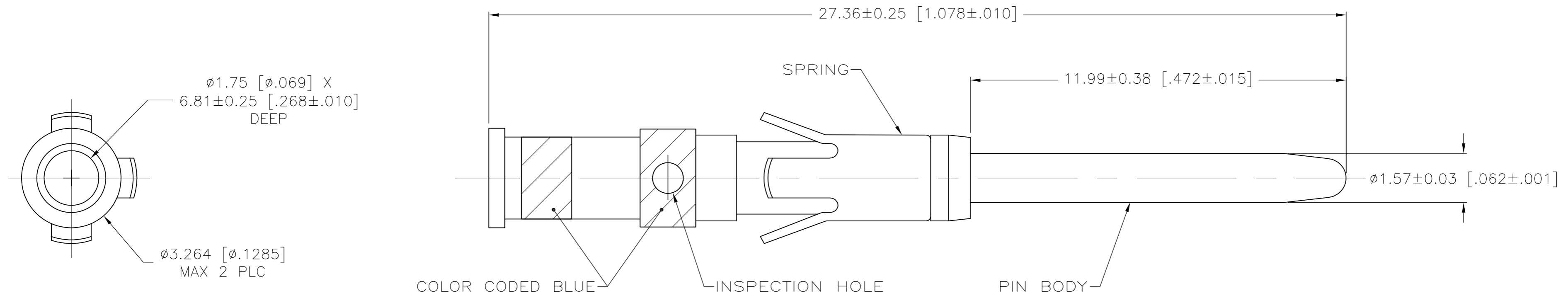
Email & Skype: info@chipsmall.com Web: www.chipsmall.com

Address: A1208, Overseas Decoration Building, #122 Zhenhua RD., Futian, Shenzhen, China



THIS DRAWING IS UNPUBLISHED. RELEASED FOR PUBLICATION
 © COPYRIGHT BY TYCO ELECTRONICS CORPORATION. ALL RIGHTS RESERVED.

LOC		DIST		REVISIONS			
P	LTR	DESCRIPTION	DATE	DWN	APVD		
	AL	REVISED PER 0G3B-1173-04	1/5/05	SS	GS		
	AL1	REVISED PER ECO-09-021826	11JAN10	KK	AEG		



TAPE MTG DETAIL
SCALE 2:1

NOTES:

- ① 0.76um [.000030] MIN GOLD OVER 1.27um [.000050] MIN NICKEL.
- ② 1.27um [.000050] MIN TIN-LEAD OVER 1.2um [.000050] MIN NICKEL.
- ③ WHEN ORDERING CONTACT ASSEMBLY ON TAPE, ORDER BY THE TAPE NUMBER PLUS PACKAGING CODE AS FOLLOWS:
 - 1. FOR USE WITH AMP TAPETRONIC, PNEUMATIC TOOL
 - A. 1000 PARTS TO A BOX ADD PACKAGING CODE: 1MBOX
 - 2. FOR USE WITH 4/8 INDENT STRIPPER CRIMPER
 - A. 1000 PARTS TO A REEL ADD PACKAGING CODE: 1MREEL
 - B. 5000 PARTS TO A REEL ADD PACKAGING CODE: 5MREEL
- 4. CONTACT ACCEPTS 16-18 WIRE SIZE.
- ⑤ 7.62 um [.000300] MIN 60/40 MATTE TIN-LEAD OVER 1.27 um [.000050] MIN NICKEL.
- ⑥ 7.62um[.000300] MIN 93/7 TIN/LEAD OVER 1.27um[.000050] MIN NICKEL.
- ⑦ NO COLOR CODED BANDS.
- ⑧ 7.62um[.000300] MIN TIN OVER 1.27um[.000050] MIN NICKEL.
- ⑨ OBSOLETE PARTS: OBSOLETE CIS STREAMLINING PER D.RENAUD/D.SINISI

⑨ OBSOLETE	STANDARD	⑧ ⑦	1-200336-7
⑨ OBSOLETE	STANDARD	⑥ ⑦	1-200336-6
⑨ OBSOLETE	STANDARD	⑤ ⑦	1-200336-5
⑨ OBSOLETE	SMALL PACK	①	1-200336-4
⑨ OBSOLETE	STANDARD	②	1-200336-3
	TAPE MTG (SEE DETAIL) ③	①	200336-6
	STANDARD	①	200336-1
PACKAGING TYPE		PIN BODY FINISH	PART NO.

THIS DRAWING IS A CONTROLLED DOCUMENT.		DWN 04/06/93 D.GELTZ	Tyco Electronics Corporation Harrisburg, PA 17105	
DIMENSIONS: MM		CHK 4-26-93 R.STONE	Tyco Electronics	
TOLERANCES UNLESS OTHERWISE SPECIFIED:		APVD -	CONTACT ASSEMBLY, PIN, #16, TYPE II	
0 PLC ± -	1 PLC ± -	PRODUCT SPEC -	SIZE A2	CAGE CODE 00779
2 PLC ± -	3 PLC ± -	APPLICATION SPEC -	DRAWING NO C=200336	RESTRICTED TO -
4 PLC ± -	ANGLES ± -	WEIGHT -	SCALE 10:1	SHEET 1 OF 1
MATERIAL: PIN BODY: COPPER ALLOY SPRING: STAINLESS STL	FINISH: PIN BODY: SEE TABLE	CUSTOMER DRAWING	REV AL1	