



Chipsmall Limited consists of a professional team with an average of over 10 year of expertise in the distribution of electronic components. Based in Hongkong, we have already established firm and mutual-benefit business relationships with customers from,Europe,America and south Asia,supplying obsolete and hard-to-find components to meet their specific needs.

With the principle of "Quality Parts,Customers Priority,Honest Operation,and Considerate Service",our business mainly focus on the distribution of electronic components. Line cards we deal with include Microchip,ALPS,ROHM,Xilinx,Pulse,ON,Everlight and Freescale. Main products comprise IC,Modules,Potentiometer,IC Socket,Relay,Connector.Our parts cover such applications as commercial,industrial, and automotives areas.

We are looking forward to setting up business relationship with you and hope to provide you with the best service and solution. Let us make a better world for our industry!



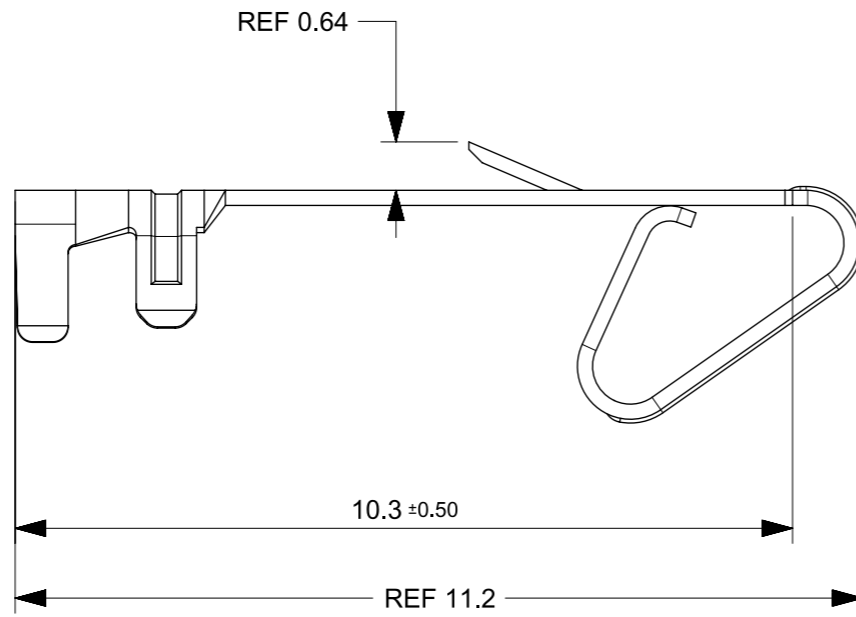
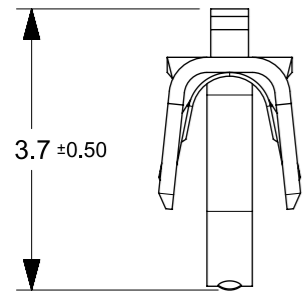
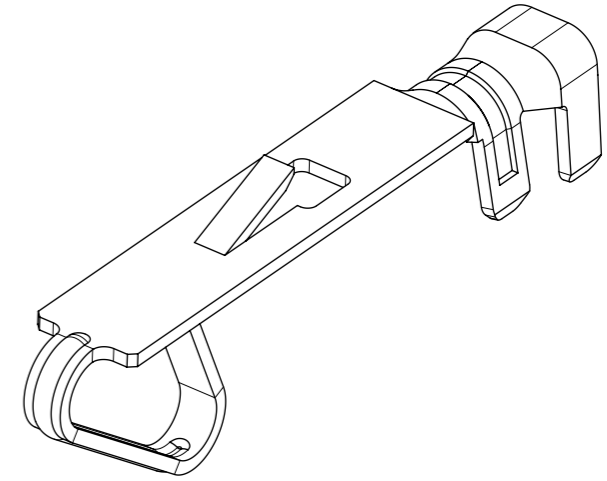
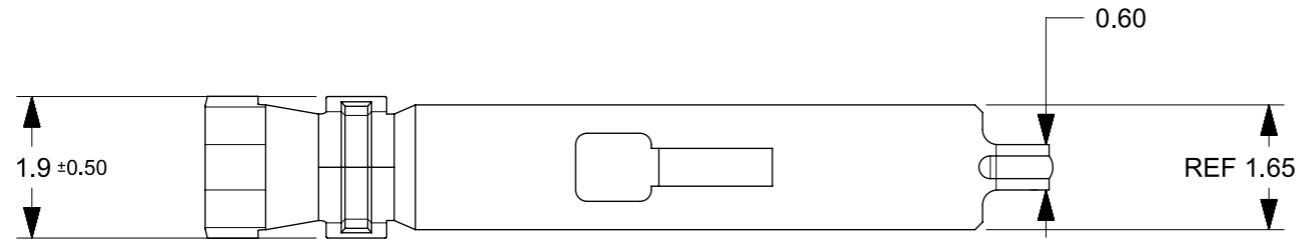
Contact us

Tel: +86-755-8981 8866 Fax: +86-755-8427 6832

Email & Skype: info@chipsmall.com Web: www.chipsmall.com

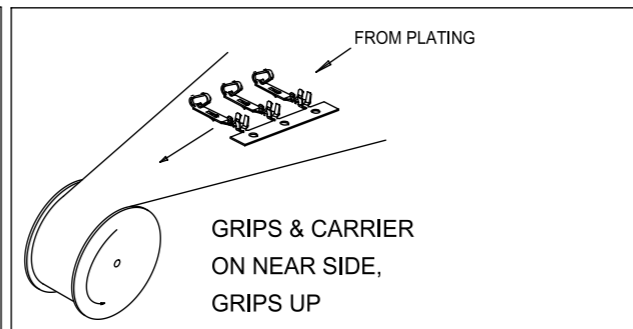
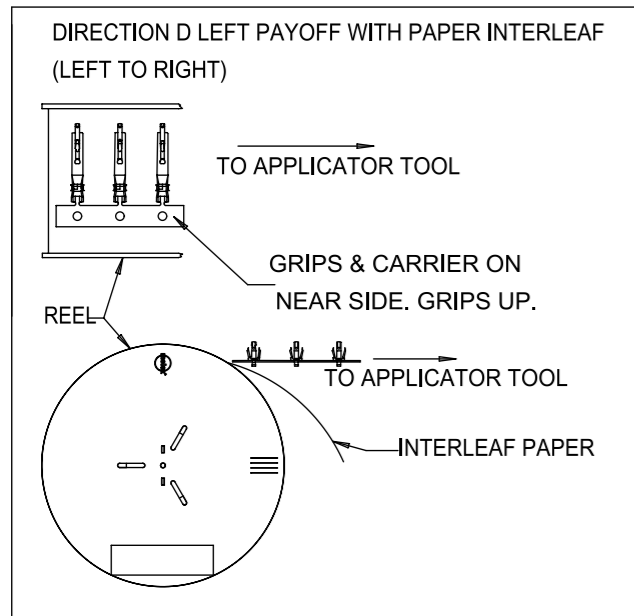
Address: A1208, Overseas Decoration Building, #122 Zhenhua RD., Futian, Shenzhen, China





NOTES:

1. METAL: PHOSPHOR BRONZE.
2. PLATING: OVERALL MATTE TIN MIN 1.0 MICRONS OVER NICKEL MIN 1.0 MICRONS UNDERCOAT
3. PACKAGING: REEL-2004490001PK.
4. THE MAXIMUM DIAMETER OF WIRE SHALL NOT EXCEED 1.40mm.
5. PARTS CONFORMS THE CLASS B REQUIREMENT OF THE MOLEX COSMETIC SPEC PS-45499-002.
6. PRODUCT SPECIFICATION: 2008900001PS
7. PARTS MATES WITH EDGELOCK HOUSING-200890 SERIES
8. DURING HARNESS ASSEMBLY PROPER CARE MUST BE TAKEN TO PROTECT TERMINAL LANCING AREA.



QUALITY SYMBOLS		THIS DRAWING CONTAINS INFORMATION THAT IS PROPRIETARY TO MOLEX INCORPORATED AND SHOULD NOT BE USED WITHOUT WRITTEN PERMISSION													
▽ = 0	EC NO: 123177 DRWN: SCHONG03 CHK'D: SHCHU APPR: YSKIM02	GENERAL TOLERANCES (UNLESS SPECIFIED)		DIMENSION UNITS		SCALE		 EDGELOCK CRIMP TERMINAL 24AWG UL1061 STYLE							
▽ = 0				mm		10:1									
▽ = 0		ANGULAR TOL ± 0.5 °		DRWN BY		DATE						PRODUCT CUSTOMER DRAWING			
▽ = 0		4 PLACES ±		GB		2015/07/01									
▽ = 0		3 PLACES ±		CHK'D BY		DATE									
▽ = 0		2 PLACES ± 0.25		SHCHU		2017/10/23		SERIES: 200449 MATERIAL NUMBER: 2004490001 CUSTOMER:							
▽ = 0		1 PLACE ± 0.38		APPR BY		DATE									
▽ = 0		0 PLACES ±		KPRASAD		2015/09/15		DOCUMENT NUMBER: 2004490001 DOC TYPE: PSD DOC PART: 000 SHEET NUMBER: 1 OF 2							
▽ = 0		DRAFT WHERE APPLICABLE MUST REMAIN WITHIN DIMENSIONS		DRAWING SIZE		THIRD ANGLE PROJECTION									
▽ = 0		C			A3										