



Chipsmall Limited consists of a professional team with an average of over 10 year of expertise in the distribution of electronic components. Based in Hongkong, we have already established firm and mutual-benefit business relationships with customers from,Europe,America and south Asia,supplying obsolete and hard-to-find components to meet their specific needs.

With the principle of “Quality Parts,Customers Priority,Honest Operation,and Considerate Service”,our business mainly focus on the distribution of electronic components. Line cards we deal with include Microchip,ALPS,ROHM,Xilinx,Pulse,ON,Everlight and Freescale. Main products comprise IC,Modules,Potentiometer,IC Socket,Relay,Connector.Our parts cover such applications as commercial,industrial, and automotives areas.

We are looking forward to setting up business relationship with you and hope to provide you with the best service and solution. Let us make a better world for our industry!



## Contact us

Tel: +86-755-8981 8866 Fax: +86-755-8427 6832

Email & Skype: info@chipsmall.com Web: www.chipsmall.com

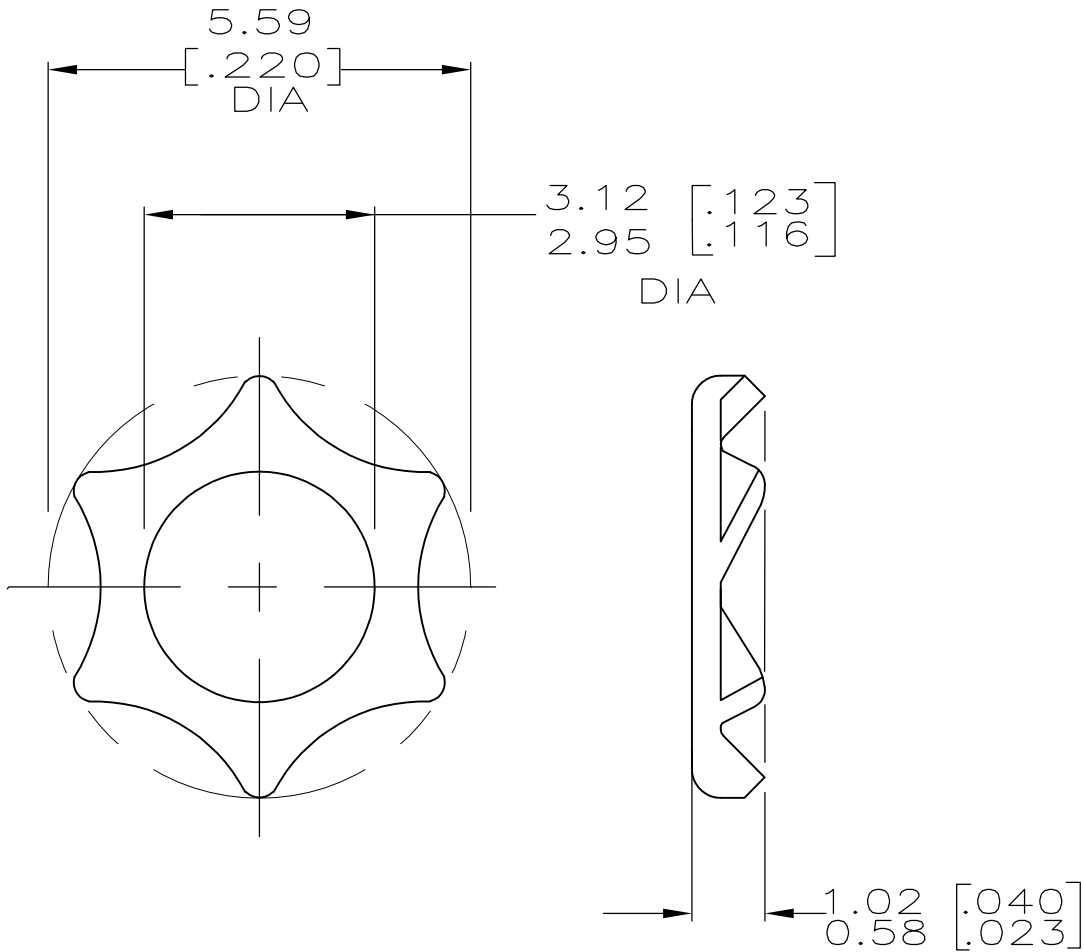
Address: A1208, Overseas Decoration Building, #122 Zhenhua RD., Futian, Shenzhen, China



LOC	DIST	REVISIONS					
BD	39	P	LTR	DESCRIPTION	DATE	DWN	APVD
		C1		REVISED EPR ECO-11-001363	21JAN11	HMR	MG

1 ACTUAL CONFIGURATION OF WASHER MAY VARY

2 STAINLESS STEEL PER QQ-S-766



RELEASED FOR PUBLICATION

ALL INTERNATIONAL RIGHTS RESERVED.

BY TYCO ELECTRONICS CORPORATION.

© COPYRIGHT

200503-1

PART NO

DIMENSIONS: mm [INCHES]	DWN R.SHIREY	07/24/90	MATERIAL	2	FINISH	PASSIVATED
	CHK R.STONE	8-14-90	Tyco Electronics Corporation Harrisburg, PA 17105-3608			
TOLERANCES UNLESS OTHERWISE SPECIFIED:	APVD A.BOULLIANNE	8-14-90				
0 PLC ± -	PRODUCT SPEC		NAME LOCK WASHER, EXTERNAL, NARROW-RIM, M SERIES			
1 PLC ± -	APPLICATION SPEC		SIZE	CAGE CODE	DRAWING NO	RESTRICTED TO
2 PLC ± 0.13 [.005]	WEIGHT		A4	00779	C-200503	-
3 PLC ± -	CUSTOMER DRAWING					
4 PLC ± -	SCALE 10:1				SHEET 1 OF 1	REV C1
ANGLES ± -						