



Chipsmall Limited consists of a professional team with an average of over 10 year of expertise in the distribution of electronic components. Based in Hongkong, we have already established firm and mutual-benefit business relationships with customers from,Europe,America and south Asia,supplying obsolete and hard-to-find components to meet their specific needs.

With the principle of “Quality Parts,Customers Priority,Honest Operation,and Considerate Service”,our business mainly focus on the distribution of electronic components. Line cards we deal with include Microchip,ALPS,ROHM,Xilinx,Pulse,ON,Everlight and Freescale. Main products comprise IC,Modules,Potentiometer,IC Socket,Relay,Connector.Our parts cover such applications as commercial,industrial, and automotives areas.

We are looking forward to setting up business relationship with you and hope to provide you with the best service and solution. Let us make a better world for our industry!



## Contact us

Tel: +86-755-8981 8866 Fax: +86-755-8427 6832

Email & Skype: info@chipsmall.com Web: www.chipsmall.com

Address: A1208, Overseas Decoration Building, #122 Zhenhua RD., Futian, Shenzhen, China



4

3

2

1

THIS DRAWING IS UNPUBLISHED.

RELEASED FOR PUBLICATION

20

© COPYRIGHT 20 BY TYCO ELECTRONICS CORPORATION. ALL RIGHTS RESERVED.

LOC  
DS

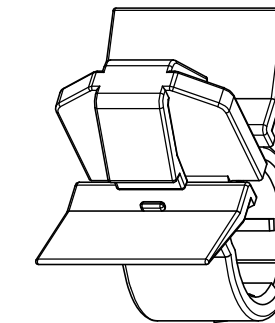
DIST  
-

REVISIONS

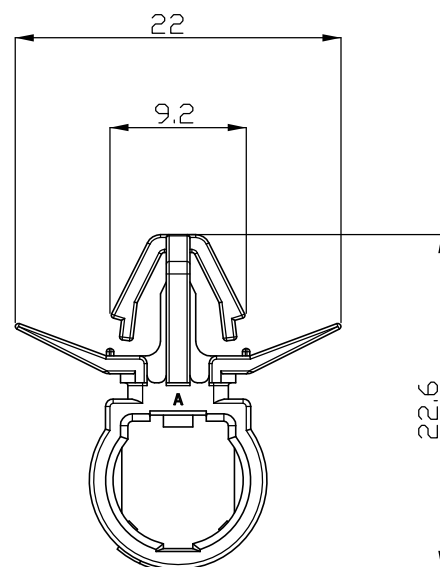
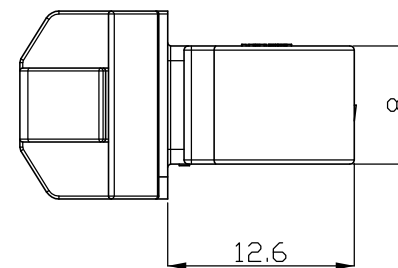
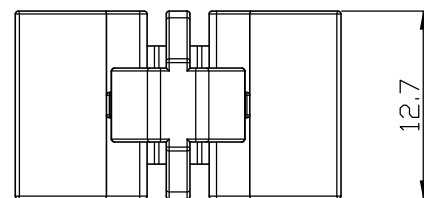
P	LTR	DESCRIPTION	DATE	DWN	APVD
	A	RELEASE	23 JUN'10	SJ	JK

D

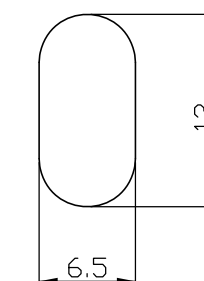
D



ISOMETRIC VIEW



PANEL HOLE



PANEL THICKNESS : 1.5mm

C

C

B

B

NOTE:

- 1. GENERAL TOLERANCE : ±0.3, ±0.3°
- 2. THE MATING PLUG HSG P/N : 1897374

2005038-2	PA66	BLACK
P/N	MATERIAL	COLOR

THIS DRAWING IS A CONTROLLED DOCUMENT FOR TYCO ELECTRONICS CORPORATION IT IS SUBJECT TO CHANGE AND THE CONTROLLING ENGINEERING ORGANIZATION SHOULD BE CONTACTED FOR THE LATEST REVISION.

DIMENSIONS: mm	TOLERANCES UNLESS OTHERWISE SPECIFIED: 0 PLC ±- 1 PLC ±0.3 2 PLC ±0.10 3 PLC ±0.001 4 PLC ±0.0001 ANGLES ±
MATERIAL SEE TABLE	FINISH SEE TABLE

DWN SJ CHOI	-	 Tyco Electronics Kyungsan, Korea
CHK KT LIM	-	
APVD JK SONG	-	
PRODUCT SPEC	-	
APPLICATION SPEC	-	NAME
WEIGHT	-	SIZE
CUSTOMER DRAWING	SCALE 2:1	CAGE CODE
	SHEET 1 OF 1	DRAWING NO
	REV A	RESTRICTED TO

SLOT CLIP FOR SMB 1P HSG

A300779 C=2005038