



Chipsmall Limited consists of a professional team with an average of over 10 year of expertise in the distribution of electronic components. Based in Hongkong, we have already established firm and mutual-benefit business relationships with customers from,Europe,America and south Asia,supplying obsolete and hard-to-find components to meet their specific needs.

With the principle of “Quality Parts,Customers Priority,Honest Operation,and Considerate Service”,our business mainly focus on the distribution of electronic components. Line cards we deal with include Microchip,ALPS,ROHM,Xilinx,Pulse,ON,Everlight and Freescale. Main products comprise IC,Modules,Potentiometer,IC Socket,Relay,Connector.Our parts cover such applications as commercial,industrial, and automotives areas.

We are looking forward to setting up business relationship with you and hope to provide you with the best service and solution. Let us make a better world for our industry!



Contact us

Tel: +86-755-8981 8866 Fax: +86-755-8427 6832

Email & Skype: info@chipsmall.com Web: www.chipsmall.com

Address: A1208, Overseas Decoration Building, #122 Zhenhua RD., Futian, Shenzhen, China



4

3

2

1

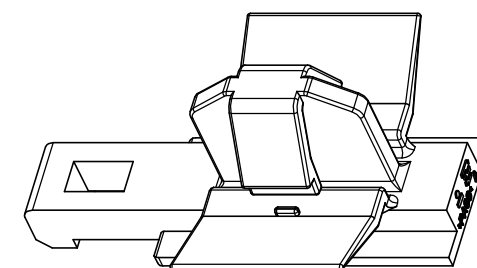
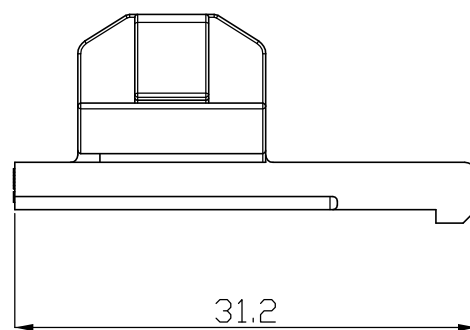
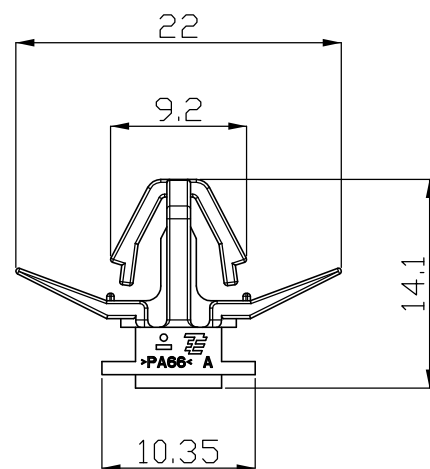
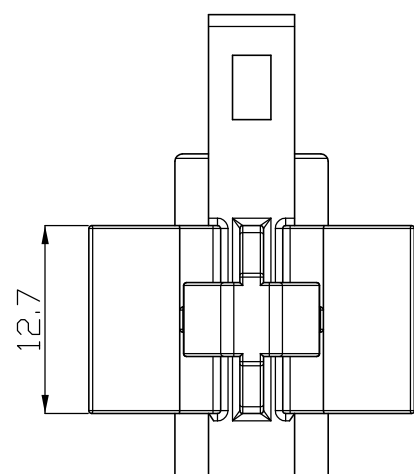
THIS DRAWING IS UNPUBLISHED.

RELEASED FOR PUBLICATION

20

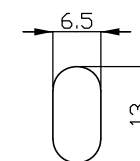
© COPYRIGHT 20 BY TYCO ELECTRONICS CORPORATION. ALL RIGHTS RESERVED.

LOC	DIST	REVISIONS			
P	LTR	DESCRIPTION	DATE	DWN	APVD
DS	-	RELEASE	23 JUN'10	SJ	JK



ISOMETRIC VIEW

PANEL HOLE



PANEL THICKNESS : 1.5mm

- NOTE :
- GENERAL TOLERANCE : $\pm 0.3, \pm 0.3^\circ$
 - THE MATING PLUG HSG P/N : 1452484

2005039-2	PA66	BLACK
P/N	MATERIAL	COLOR

<small>THIS DRAWING IS A CONTROLLED DOCUMENT FOR TYCO ELECTRONICS CORPORATION IT IS SUBJECT TO CHANGE AND THE CONTROLLING ENGINEERING ORGANIZATION SHOULD BE CONTACTED FOR THE LATEST REVISION.</small>		DWN	-	Tyco Electronics Kyungsan, Korea															
DIMENSIONS: mm		CHK	-	NAME															
		APVD	-	-															
<table border="1"> <thead> <tr> <th colspan="2">TOLERANCES UNLESS OTHERWISE SPECIFIED</th> </tr> </thead> <tbody> <tr> <td>0 PLC</td> <td>\pm</td> </tr> <tr> <td>1 PLC</td> <td>± 0.5</td> </tr> <tr> <td>2 PLC</td> <td>± 0.13</td> </tr> <tr> <td>3 PLC</td> <td>± 0.013</td> </tr> <tr> <td>4 PLC</td> <td>± 0.0001</td> </tr> <tr> <td>ANGLES</td> <td>\pm</td> </tr> </tbody> </table>		TOLERANCES UNLESS OTHERWISE SPECIFIED		0 PLC	\pm	1 PLC	± 0.5	2 PLC	± 0.13	3 PLC	± 0.013	4 PLC	± 0.0001	ANGLES	\pm	PRODUCT SPEC	-	SLOT CLIP FOR FAKRA 2P HSG	
TOLERANCES UNLESS OTHERWISE SPECIFIED																			
0 PLC	\pm																		
1 PLC	± 0.5																		
2 PLC	± 0.13																		
3 PLC	± 0.013																		
4 PLC	± 0.0001																		
ANGLES	\pm																		
MATERIAL	SEE TABLE	APPLICATION SPEC	-	SIZE	CAGE CODE														
FINISH	SEE TABLE	WEIGHT	-	A300779	©=2005039														
CUSTOMER DRAWING			SCALE	1:1	SHEET 1 OF 1														
			RESTRICTED TO	-	REV A														