



Chipsmall Limited consists of a professional team with an average of over 10 year of expertise in the distribution of electronic components. Based in Hongkong, we have already established firm and mutual-benefit business relationships with customers from,Europe,America and south Asia,supplying obsolete and hard-to-find components to meet their specific needs.

With the principle of “Quality Parts,Customers Priority,Honest Operation,and Considerate Service”,our business mainly focus on the distribution of electronic components. Line cards we deal with include Microchip,ALPS,ROHM,Xilinx,Pulse,ON,Everlight and Freescale. Main products comprise IC,Modules,Potentiometer,IC Socket,Relay,Connector.Our parts cover such applications as commercial,industrial, and automotives areas.

We are looking forward to setting up business relationship with you and hope to provide you with the best service and solution. Let us make a better world for our industry!



Contact us

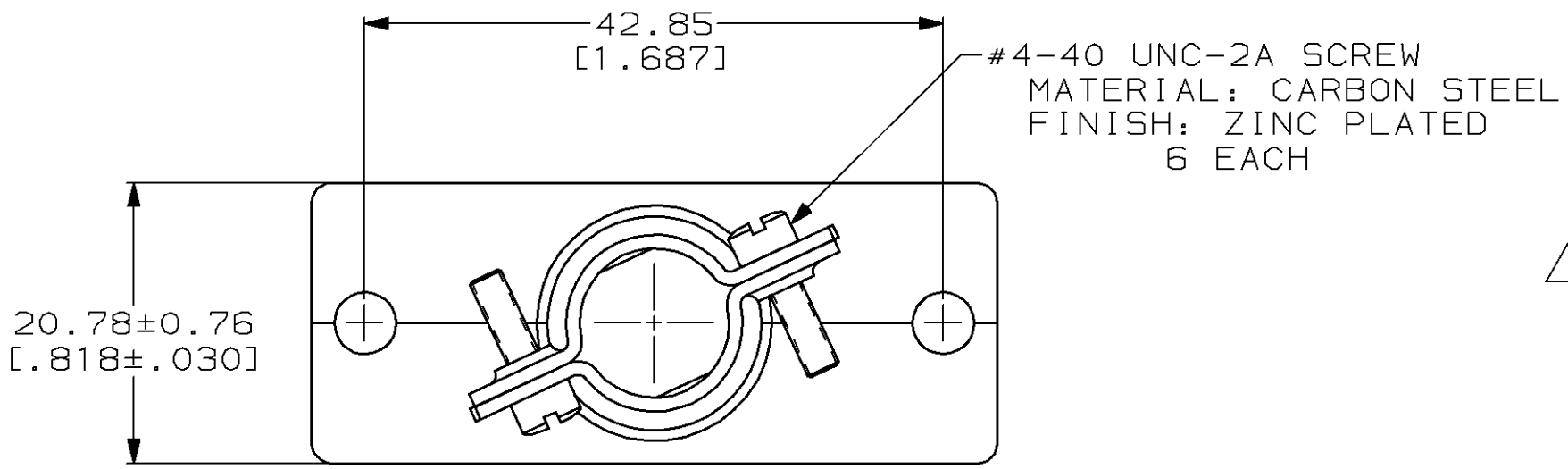
Tel: +86-755-8981 8866 Fax: +86-755-8427 6832

Email & Skype: info@chipsmall.com Web: www.chipsmall.com

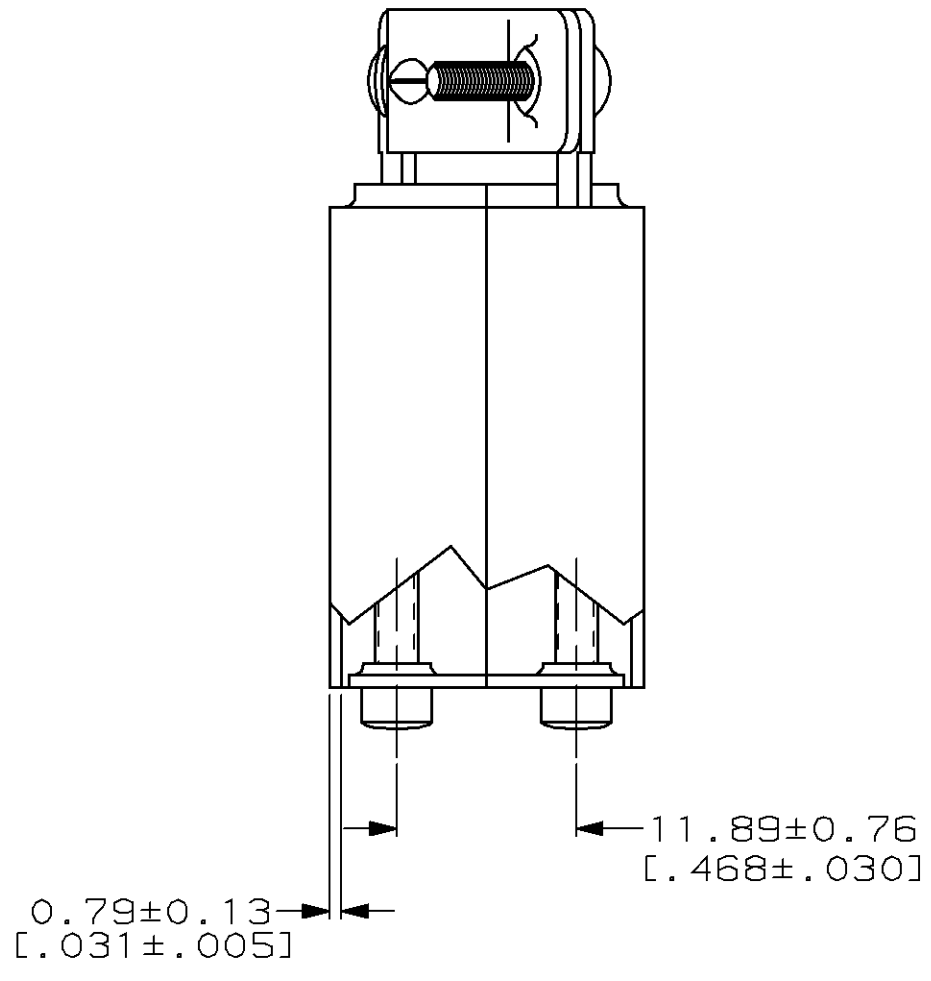
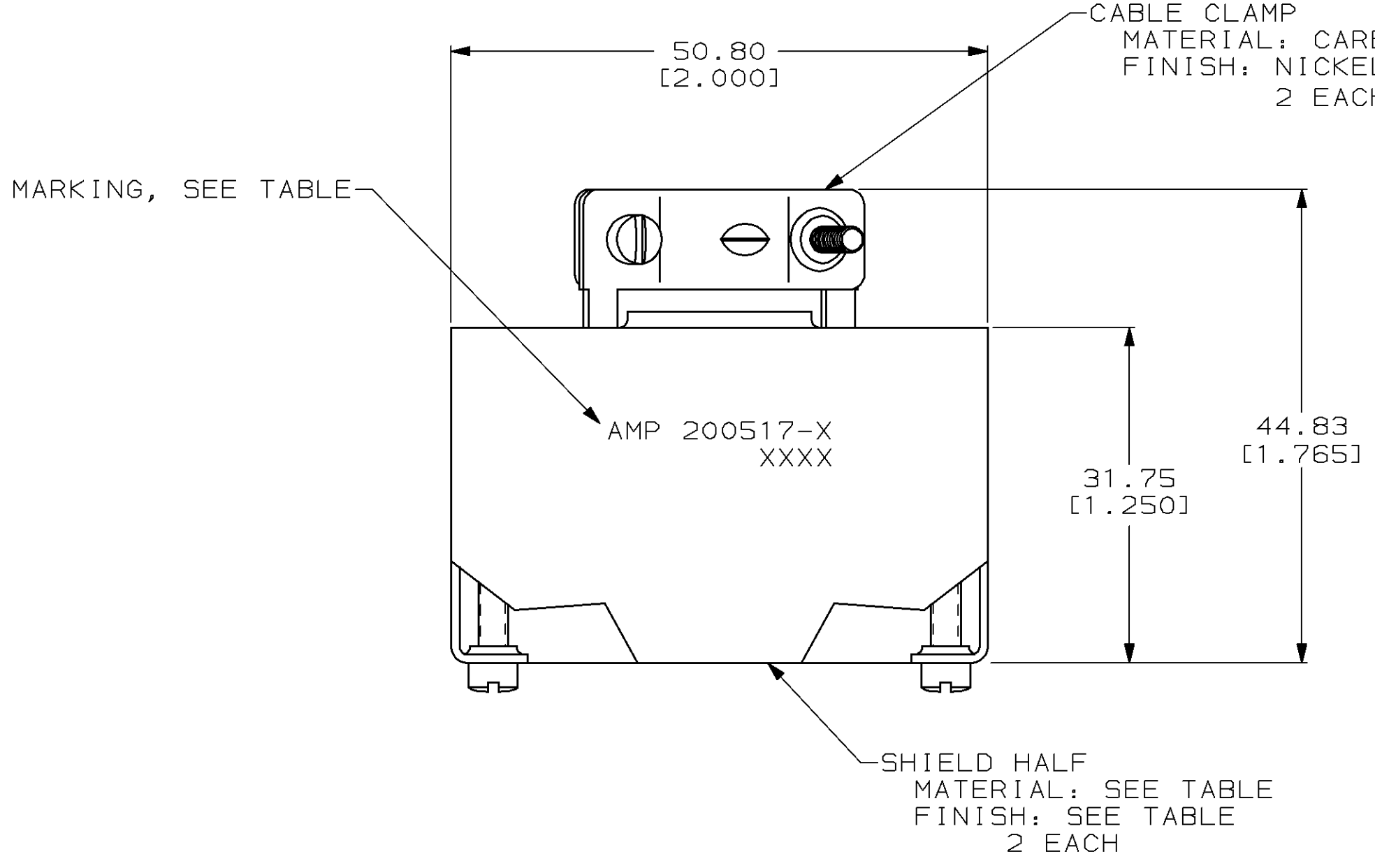
Address: A1208, Overseas Decoration Building, #122 Zhenhua RD., Futian, Shenzhen, China



LOC	DIST	P	F	ZONE	LTR	DESCRIPTION	DATE	APPD
FT	8				Y	REDRAWN W/O CHANGE PER EC 0020-1084-94	01/23/95	TC
					Z	ADDED -7 PER EC 0020-1155-95	10 OCT 95	GS
					AA	REV PER EC 0020-84-96	-	GS
					AB	REV PER EC 0320-160-96	08 JAN 97	GS
					AC	ADDED -8 PER EC 061C-22-98	10 MAR 98	MM



△ AMP, PART NUMBER AND DATE CODE, INK STAMPED ON (1) OR BOTH SIDES.



7.62-11.43 [.300-.450]	△	NICKEL PER QQ-N-290	CARBON STEEL	200517-8
11.05-13.84 [.435-.545]	-	CLEAR ANODIZED	ALUMINUM ALLOY	200517-7
11.05-13.84 [.435-.545]	△	NICKEL PER QQ-N-290	CARBON STEEL	200517-2
11.05-13.84 [.435-.545]	△	CLEAR ANODIZED	ALUMINUM ALLOY	200517-1
CABLE RANGE DIA	MARKING	FINISH	MATERIAL	PART NO

SHIELD HALF		NAME	
DO NOT SCALE PRINT. UNLESS SPECIFIED DIMENSIONS IN mm [INCHES] TOLERANCES ON :	DR 01/23/95 K.FOLTZ	AMP Incorporated Harrisburg, PA 17105-3608	
2 PLC DEC ±0.38 [.015]	CHK 01/24/95 R.STONE		
3 PLC DEC ± -	APPD 01/24/95 T.COULSON	NAME	
ANGLES ± -	APPD 01/24/95 T.COULSON	SHIELD KIT, UNASSEMBLED, SHORT, 34 POSITION, M SERIES	
MATERIAL	PRODUCT SPEC	SIZE	CAGE CODE
SEE CALLOUTS	-	③	00779
FINISH	APPLICATION SPEC	DRAWING NO	③=200517
SEE CALLOUTS	-	SCALE	SHEET
	WEIGHT -	2:1	1 OF 1

THIS DRAWING IS A CONTROLLED DOCUMENT FOR AMP INCORPORATED. IT IS SUBJECT TO CHANGE AND THE CONTROLLING ENGINEERING ORGANIZATION SHOULD BE CONTACTED FOR THE LATEST REVISION.