



Chipsmall Limited consists of a professional team with an average of over 10 year of expertise in the distribution of electronic components. Based in Hongkong, we have already established firm and mutual-benefit business relationships with customers from,Europe,America and south Asia,supplying obsolete and hard-to-find components to meet their specific needs.

With the principle of “Quality Parts,Customers Priority,Honest Operation,and Considerate Service”,our business mainly focus on the distribution of electronic components. Line cards we deal with include Microchip,ALPS,ROHM,Xilinx,Pulse,ON,Everlight and Freescale. Main products comprise IC,Modules,Potentiometer,IC Socket,Relay,Connector.Our parts cover such applications as commercial,industrial, and automotives areas.

We are looking forward to setting up business relationship with you and hope to provide you with the best service and solution. Let us make a better world for our industry!



Contact us

Tel: +86-755-8981 8866 Fax: +86-755-8427 6832

Email & Skype: info@chipsmall.com Web: www.chipsmall.com

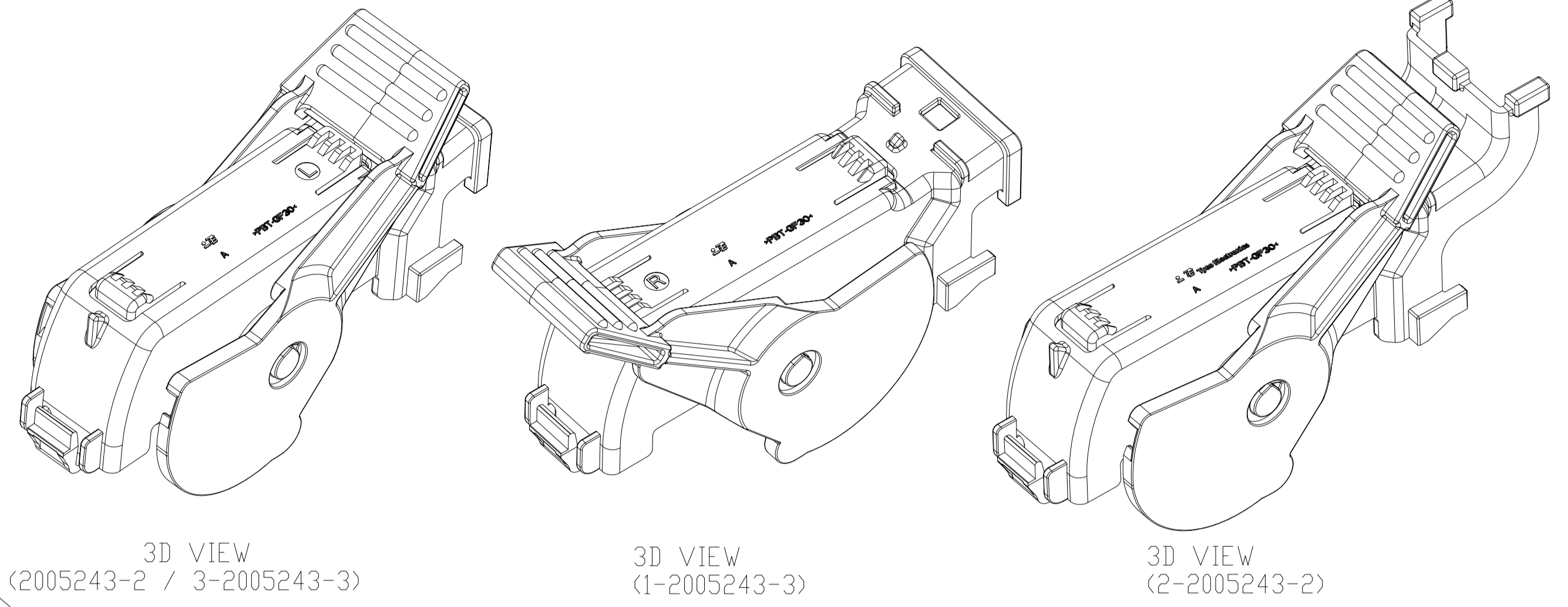
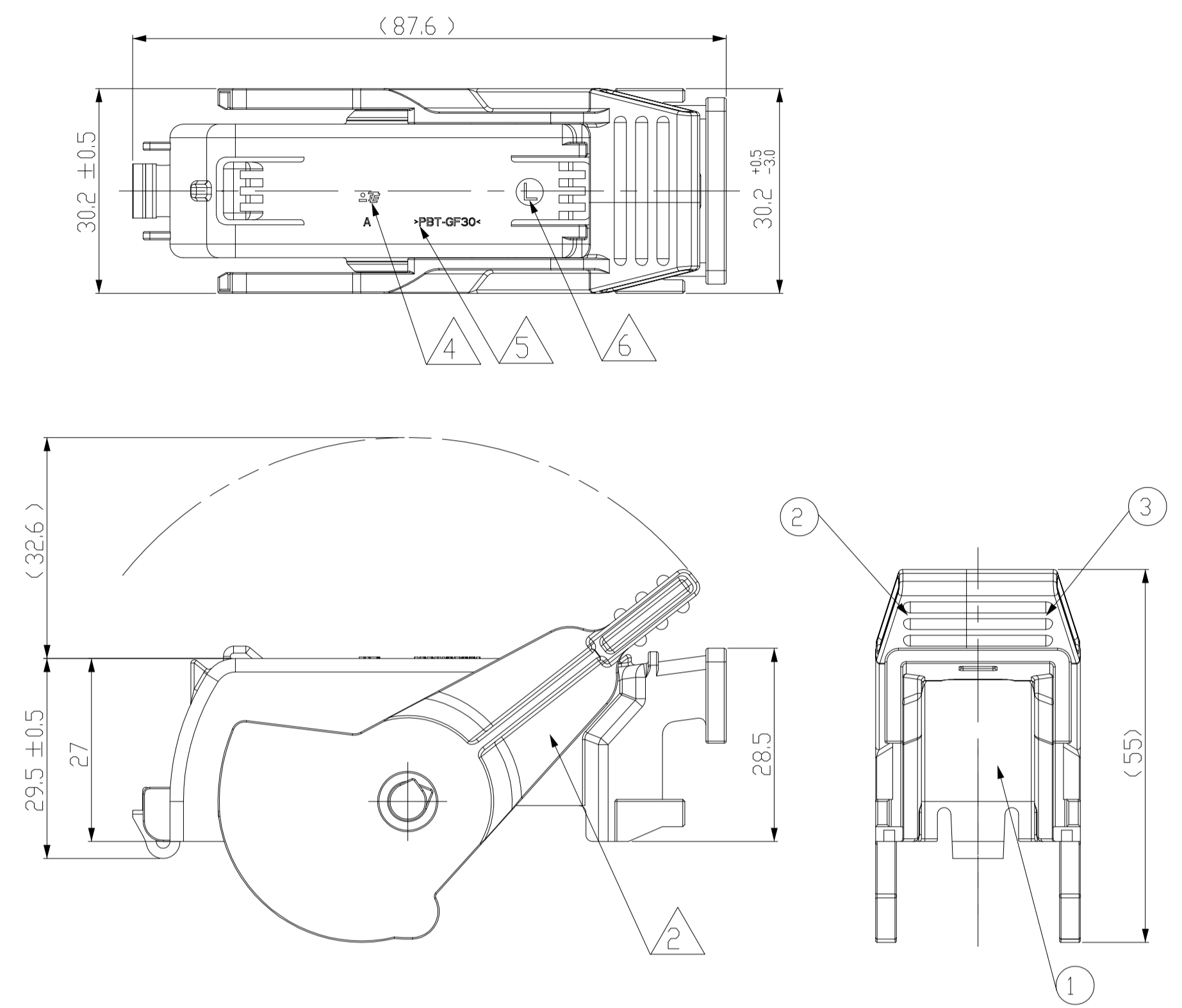
Address: A1208, Overseas Decoration Building, #122 Zhenhua RD., Futian, Shenzhen, China



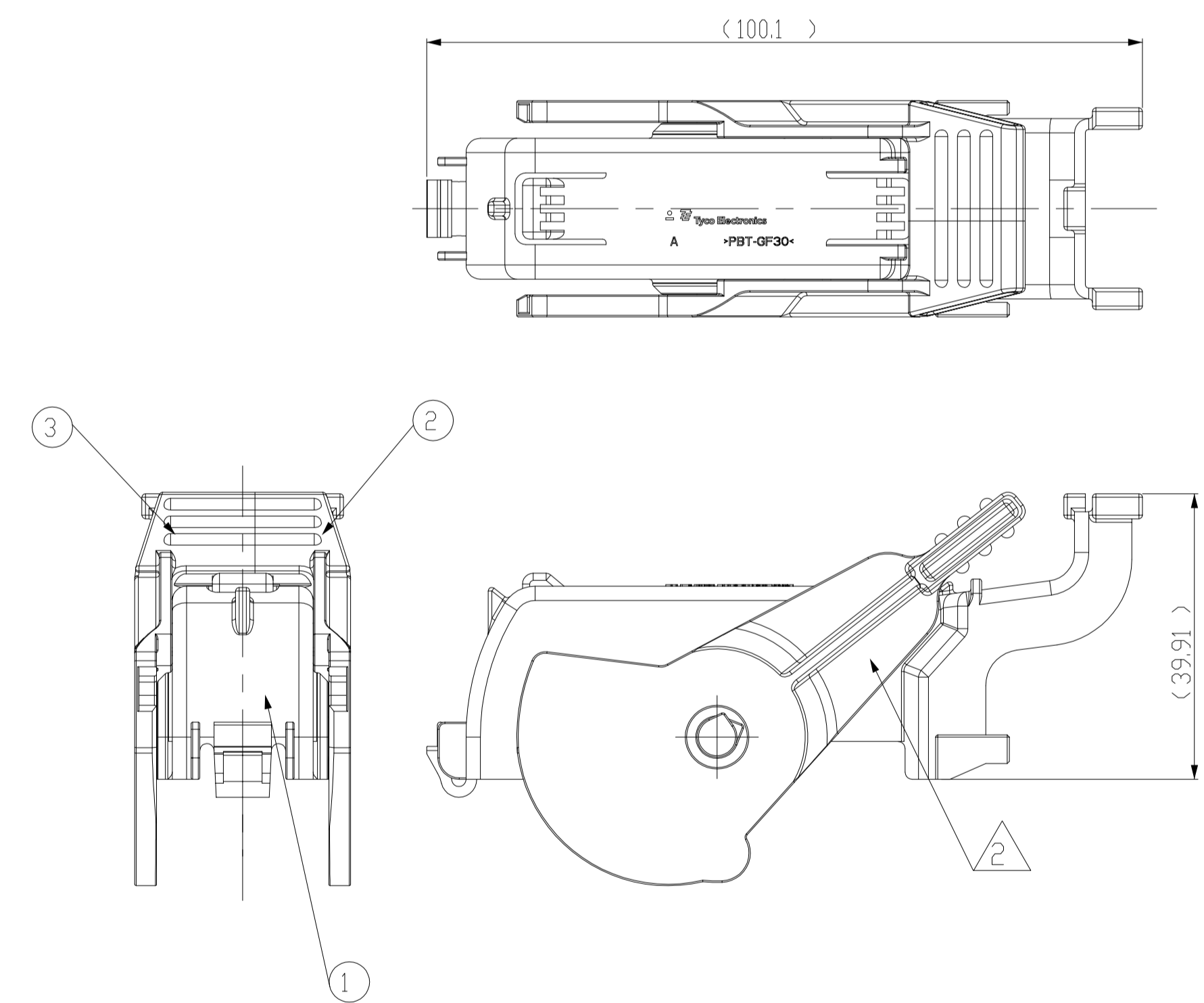
THIS DRAWING IS UNPUBLISHED. RELEASED FOR PUBLICATION 20
 © COPYRIGHT 20 BY - TE Connectivity ALL RIGHTS RESERVED.

REVISIONS					
P	LTR	DESCRIPTION	DATE	DWN	APVD
	A1	REVISED (ECR-15-008320)	19AUG.15	SJ	HG

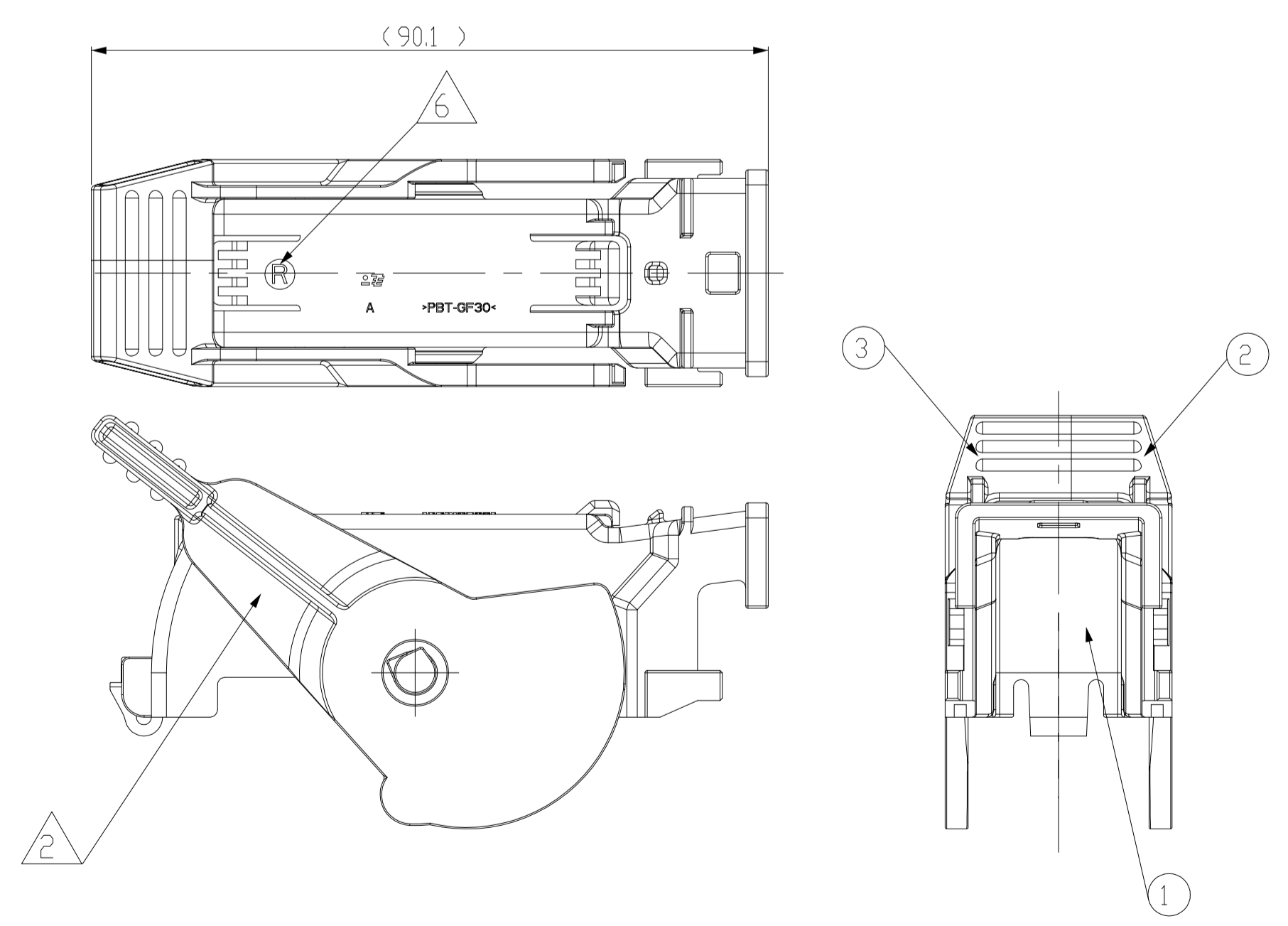
7. TYPE "L" DRAWING (2005243-2 / 3-2005243-3) IS BELOW SHOWN



9. TYPE "V" DRAWING (2-2005243-2) IS BELOW SHOWN



8. TYPE "R" DRAWING (1-2005243-3) IS BELOW SHOWN



- NOTE
- 1. GENERAL TOLERANCE: ±0.3, ±3°
 - 2. DELIVERY CONDITION
 - 3. APPLICABLE CONNECTOR P/N: X-2005238-X
 - 4. TE LOGO
 - 5. MATERIAL MARK
 - 6. TYPE MARK

NO.	COLOR	MATERIAL	DESCRIPTION	QTY		
				3-2005243-3	2-2005243-2	1-2005243-3
3	BLACK	PBT-GF30	LEVER HSG (RH)	1	1	1
2	BLACK	PBT-GF30	LEVER HSG (LH)	1	1	1
1	GRAY	PBT-GF30	COVER HSG TYPE "L"	1		
	BLACK	PBT-GF30	COVER HSG TYPE "V"		1	
	GRAY	PBT-GF30	COVER HSG TYPE "R"			1
	BLACK	PBT-GF30	COVER HSG TYPE "L"			1

THIS DRAWING IS A CONTROLLED DOCUMENT.

DWN: S.J. CHOI
 CHK: J.W. JUNG
 APVD: H.G. CHO
 PRODUCT SPEC

TE Connectivity

NAME: HYB 38P ISL COVER ASS'Y

SIZE: A2 CAGE CODE: 00779 DRAWING NO: C=2005243 RESTRICTED TO

WEIGHT: CUSTOMER DRAWING SCALE: 1:1 SHEET 1 OF 1 REV: A1