



Chipsmall Limited consists of a professional team with an average of over 10 year of expertise in the distribution of electronic components. Based in Hongkong, we have already established firm and mutual-benefit business relationships with customers from,Europe,America and south Asia,supplying obsolete and hard-to-find components to meet their specific needs.

With the principle of “Quality Parts,Customers Priority,Honest Operation,and Considerate Service”,our business mainly focus on the distribution of electronic components. Line cards we deal with include Microchip,ALPS,ROHM,Xilinx,Pulse,ON,Everlight and Freescale. Main products comprise IC,Modules,Potentiometer,IC Socket,Relay,Connector.Our parts cover such applications as commercial,industrial, and automotives areas.

We are looking forward to setting up business relationship with you and hope to provide you with the best service and solution. Let us make a better world for our industry!



## Contact us

Tel: +86-755-8981 8866 Fax: +86-755-8427 6832

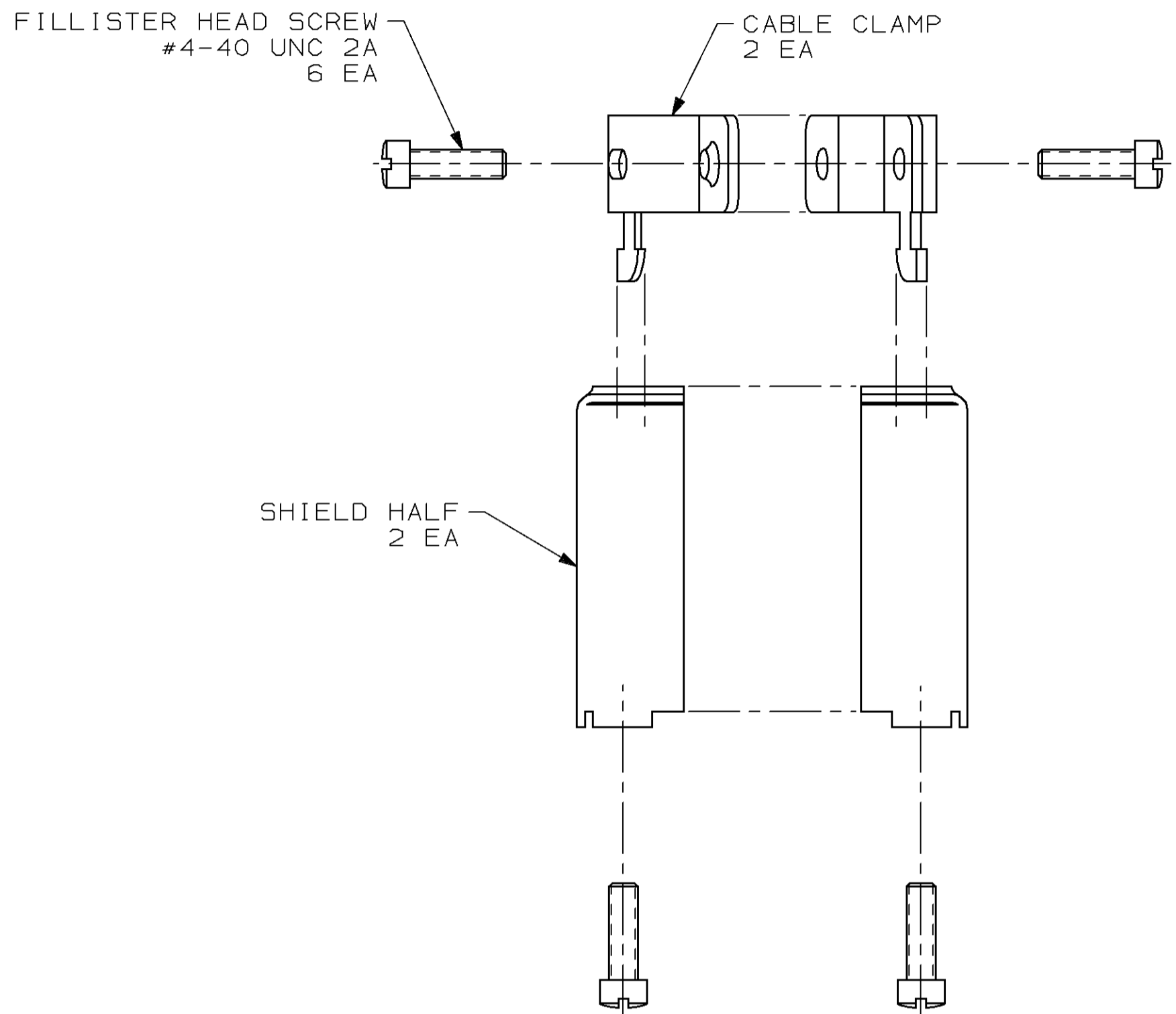
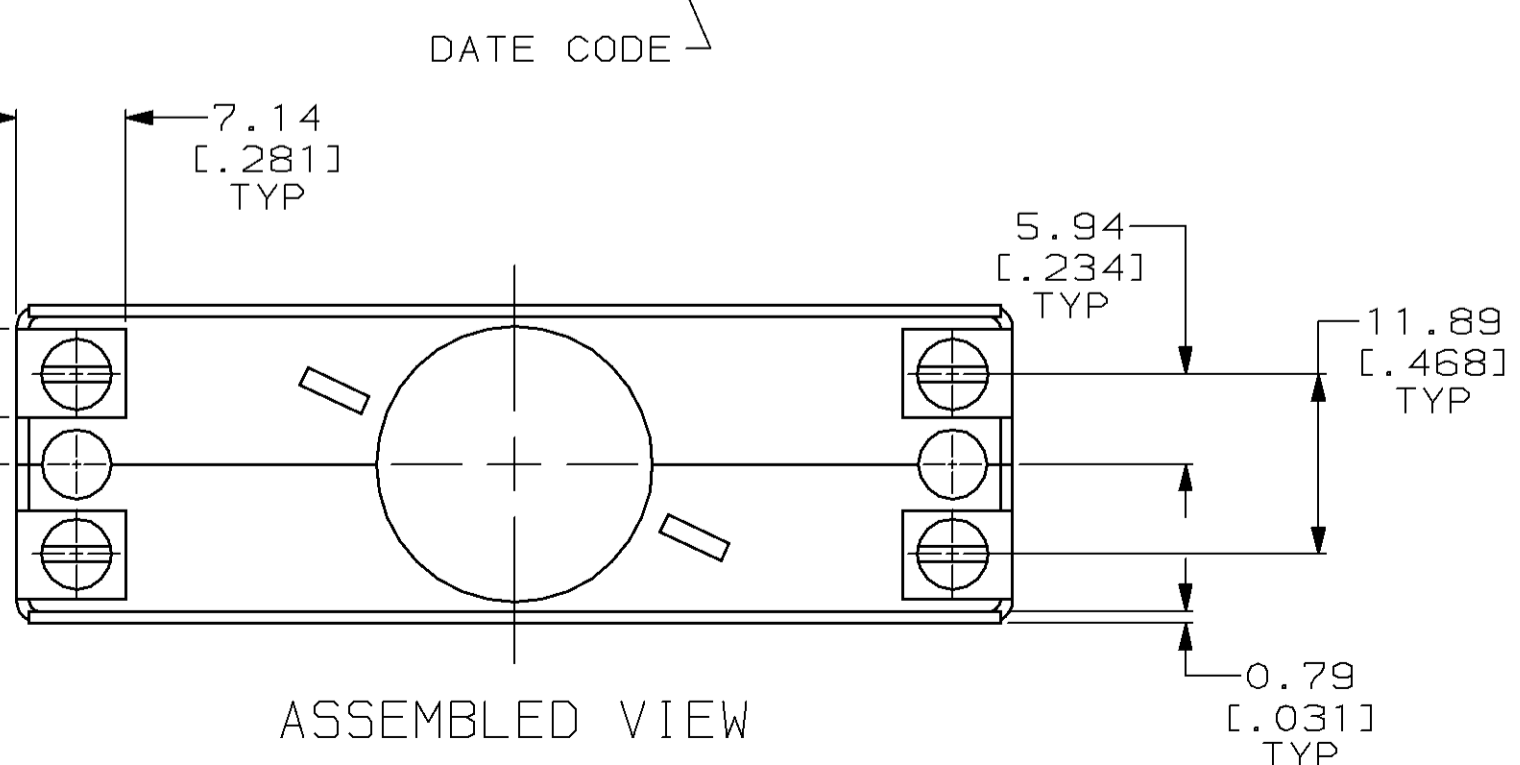
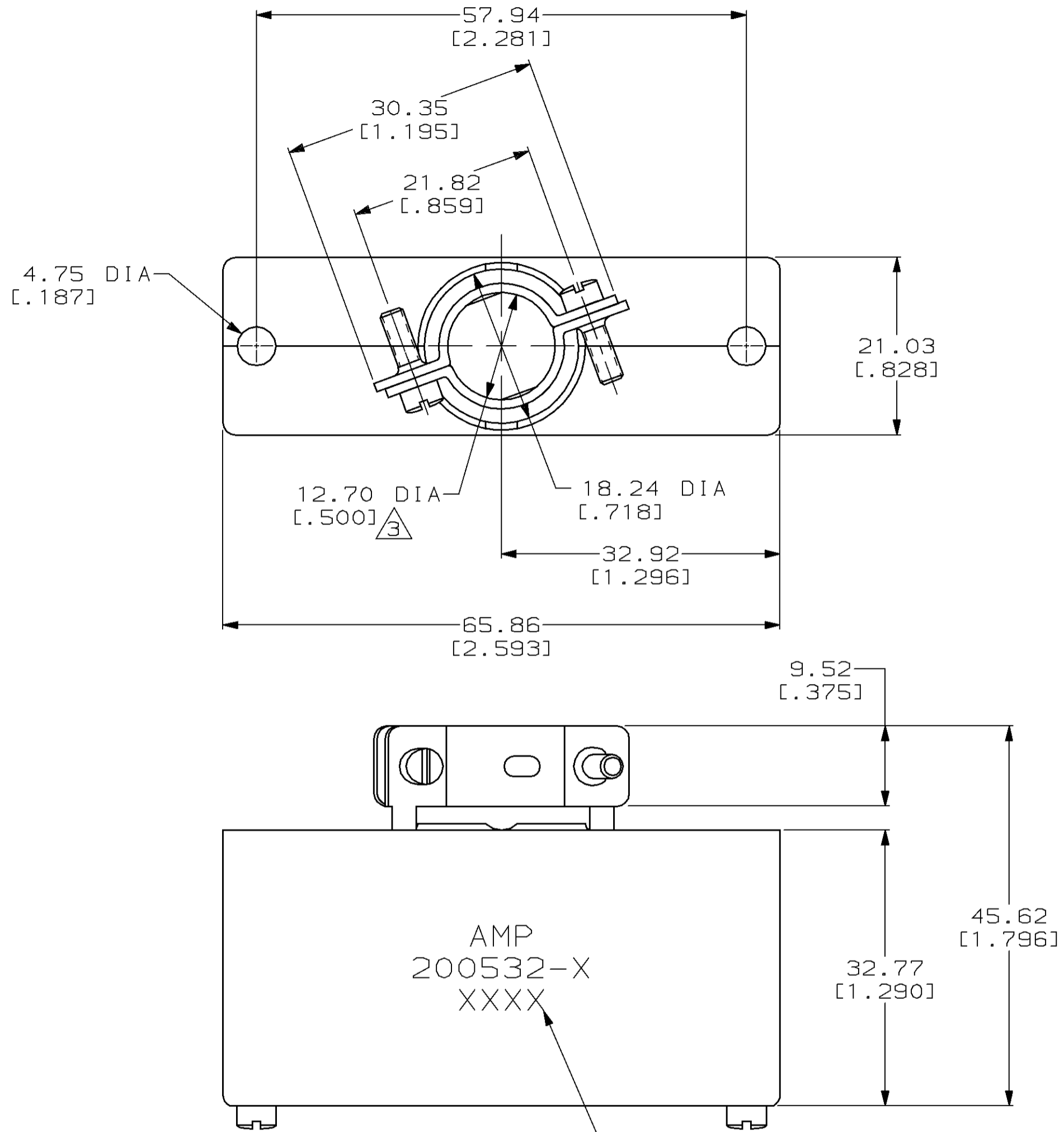
Email & Skype: info@chipsmall.com Web: www.chipsmall.com

Address: A1208, Overseas Decoration Building, #122 Zhenhua RD., Futian, Shenzhen, China



THIS DRAWING IS UNPUBLISHED. RELEASED FOR PUBLICATION  
 BY AMP INCORPORATED. ALL RIGHTS RESERVED.

LOC	DIST	REVISIONS			
P	LTR	DESCRIPTION	DATE	DWN	APVD
BD	36	Y	REDRAWN PER EC 0020-929-95	25 SEP 95	-



- ① SHIELD HALF: SEE TABLE.  
CABLE CLAMP & SCREWS: CARBON STEEL.
- ② SHIELD HALF: SEE TABLE.  
CABLE CLAMP: 5.08µm [.000200] MIN NICKEL.  
SCREWS: ZINC PLATED.
- ③ DIAMETER WILL ACCEPT 50 WIRES OF .065 MAX OD.

5.08µm [.000200] MIN NICKEL	CARBON STEEL	200532-2
CLEAR ANODIZE	ALUMINUM	200532-1
SHIELD FINISH	SHIELD MATERIAL	PART NUMBER

DIMENSIONS:		TOLERANCES UNLESS OTHERWISE SPECIFIED:		MATERIAL		FINISH	
mm	[INCHES]	0 PLC	±-	①	②	③	④
		1 PLC	±-				
		2 PLC	±0.38 [.015]				
		3 PLC	±-				
		4 PLC	±-				
		ANGLES	±-				
		FINISH	±-				

DWN	C. REIFSNYDER	25 SEP 95	 AMP Incorporated Harrisburg, PA 17105-3608	
CHK	R. STONE	15 SEP 95		
APVD	G. STEINHAUER	03 OCT 95		
NAME	G. STEINHAUER			
PRODUCT SPEC	-		SHIELD KIT, UNASSEMBLED, 50 PLACE, M SERIES	
APPLICATION SPEC	-			
WEIGHT	-	SIZE	A2	
CUSTOMER DRAWING	SCALE	2:1	SHEET	1 OF 1
			REV	Y

200532

A