



Chipsmall Limited consists of a professional team with an average of over 10 year of expertise in the distribution of electronic components. Based in Hongkong, we have already established firm and mutual-benefit business relationships with customers from,Europe,America and south Asia,supplying obsolete and hard-to-find components to meet their specific needs.

With the principle of “Quality Parts,Customers Priority,Honest Operation,and Considerate Service”,our business mainly focus on the distribution of electronic components. Line cards we deal with include Microchip,ALPS,ROHM,Xilinx,Pulse,ON,Everlight and Freescale. Main products comprise IC,Modules,Potentiometer,IC Socket,Relay,Connector.Our parts cover such applications as commercial,industrial, and automotives areas.

We are looking forward to setting up business relationship with you and hope to provide you with the best service and solution. Let us make a better world for our industry!



Contact us

Tel: +86-755-8981 8866 Fax: +86-755-8427 6832

Email & Skype: info@chipsmall.com Web: www.chipsmall.com

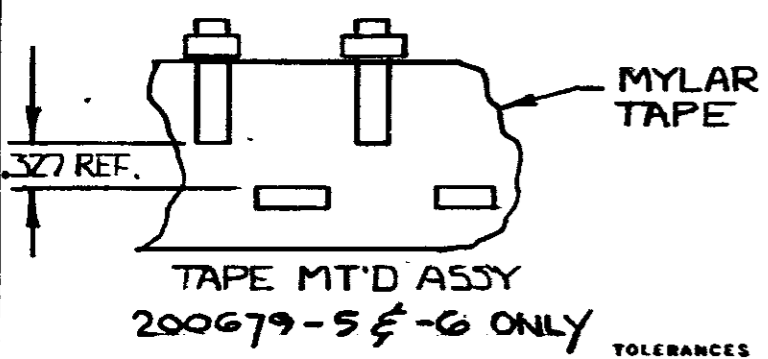
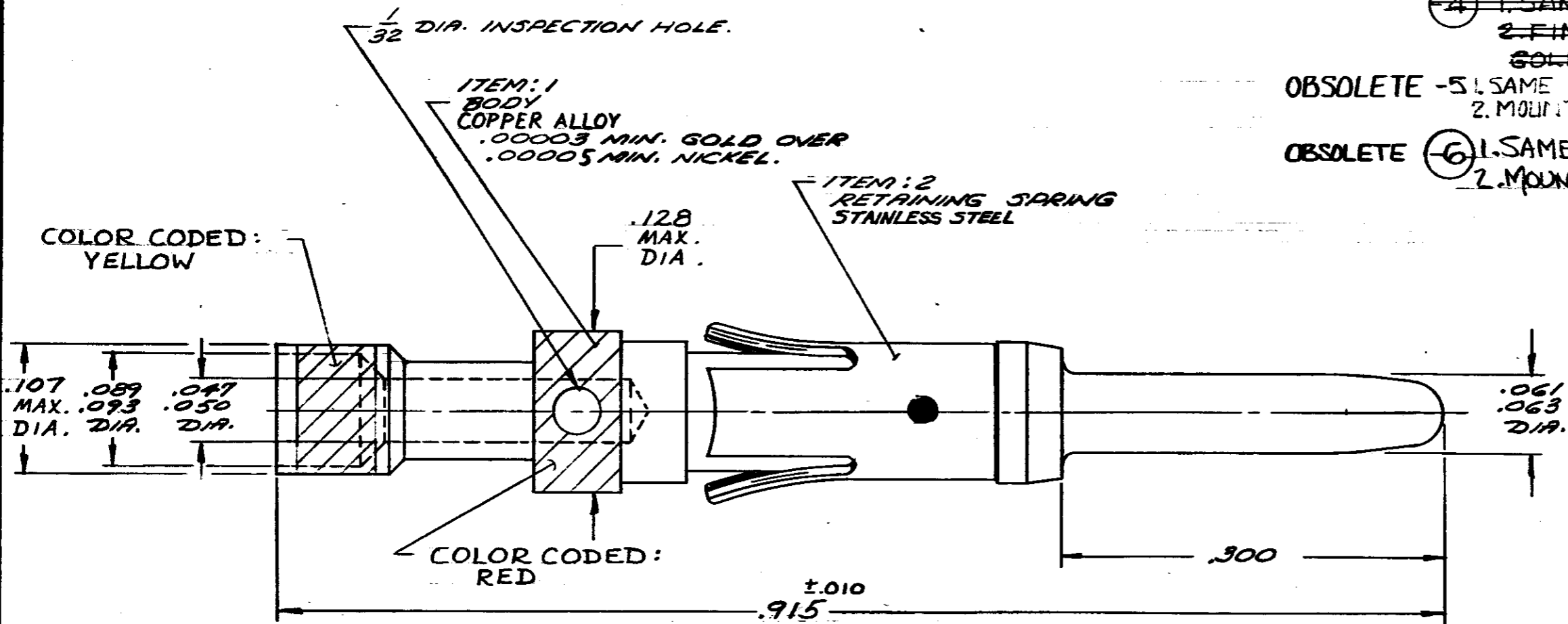
Address: A1208, Overseas Decoration Building, #122 Zhenhua RD., Futian, Shenzhen, China



WHEN ORDERING CONTACT ON TAPE, ORDER BY THE TAPE NUMBER PLUS THE PACKAGING CODE AS FOLLOWS:

1. FOR USE WITH AMP TAPETRONIC, PNEUMATIC TOOL-
 - A. 1000 PARTS TO A BOX ADD PACKAGING CODE: 1MBOX
2. FOR USE WITH 4/8 INDENT STRIPPER CRIMPER-
 - A. 1000 PARTS TO A REEL ADD PACKAGING CODE: 1MREEL
 - B. 5000 PARTS TO A REEL ADD PACKAGING CODE: 5MREEL

- (-1) 1. AS SHOWN.
- (-2) 1. SAME AS -1 EXCEPT:
2. FINISH: ITEM 1: .0001 MIN. AVE SILVER OVER .00003 MIN. NICKEL.
- OBSOLETE (-3) 1. SAME AS -1 EXCEPT:
2. FINISH ITEM 1: .000015 MIN. GOLD OVER .00005 MIN. NICKEL.
- (-4) 1. SAME AS -1 EXCEPT:
2. FINISH ITEM 1: .00003 MIN. GOLD OVER .00003 MIN. NICKEL.
- OBSOLETE (-5) 1. SAME AS -1 EXCEPT:
2. MOUNTED ON TAPE.
- OBSOLETE (-6) 1. SAME AS -4 EXCEPT:
2. MOUNTED ON TAPE.



TOLERANCES EXCEPT AS NOTED:
 DECIMALS: ± .008
 FRACTIONS: ± 1/64
 ANGLES: ± 12°

REV	DESCRIPTION	DATE	CHK	DR
V	OBS -3 PER ECN 802619	10-89	CS	J.S.
U	OBSOLETE -5 BD3036	9-89	SW	J.S.
T	REV PER ECN 802619	3-89	THW	J.S.
S	OBS -6 / 54623	5-87	MMH	THW
LTR	REVISION RECORD			

NUMBER 200679	REQUIRED PER ASSEMBLY		©1967 BY AMP INCORPORATED. ALL RIGHTS RESERVED. AMP PRODUCTS COVERED BY PATENTS AND/OR PATENTS PENDING.		CUSTOMER COPY REFERENCE ONLY	
	DR	P. Owen 2-24-61	MATERIAL AND FINISH	SEE CALL OUT		
	CHK		WIRE - RANGE - INSULATION	24-20 -H		
	DE	2-28-61	TOLERANCE - EXCEPT AS NOTED	SCALE	LOC	NO
APP	J. Zimmerman 2-28-61	2-015 ± .01	10-1	BD	B	200679
			NAME #16 CONTACT - PIN			

CUSTOMER DRAWING

DIMENSIONS IN INCHES. DO NOT SCALE PRINT.