



Chipsmall Limited consists of a professional team with an average of over 10 year of expertise in the distribution of electronic components. Based in Hongkong, we have already established firm and mutual-benefit business relationships with customers from,Europe,America and south Asia,supplying obsolete and hard-to-find components to meet their specific needs.

With the principle of “Quality Parts,Customers Priority,Honest Operation,and Considerate Service”,our business mainly focus on the distribution of electronic components. Line cards we deal with include Microchip,ALPS,ROHM,Xilinx,Pulse,ON,Everlight and Freescale. Main products comprise IC,Modules,Potentiometer,IC Socket,Relay,Connector.Our parts cover such applications as commercial,industrial, and automotives areas.

We are looking forward to setting up business relationship with you and hope to provide you with the best service and solution. Let us make a better world for our industry!



Contact us

Tel: +86-755-8981 8866 Fax: +86-755-8427 6832

Email & Skype: info@chipsmall.com Web: www.chipsmall.com

Address: A1208, Overseas Decoration Building, #122 Zhenhua RD., Futian, Shenzhen, China



© 1961 BY AMP INCORPORATED. ALL RIGHTS RESERVED. AMP PRODUCTS COVERED BY PATENTS AND/OR PATENTS PENDING.

200681-1
200681-2

OBSOLETE

OBSOLETE 200681-3

OBSOLETE 200681-4

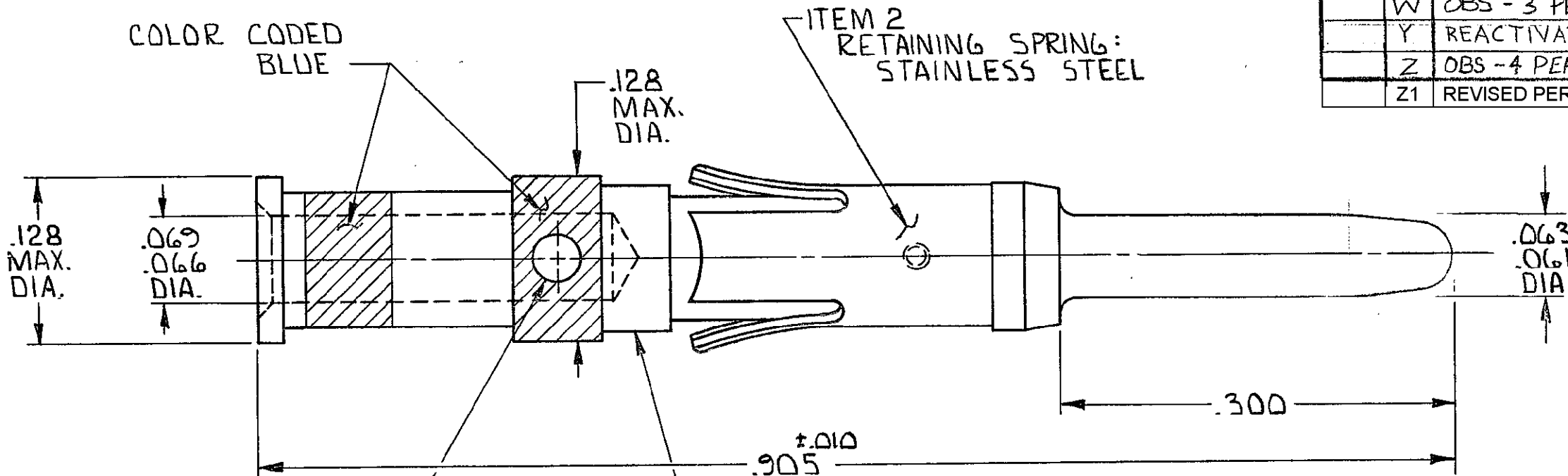
OBSOLETE 200681-5

- 1. AS SHOWN
- 1. SAME AS -1 EXCEPT:
2. FINISH ITEM 1: .0001 SILVER OVER .00003 NICKEL.
- 1. SAME AS -1 EXCEPT:
2. MOUNTED ON TAPE.
- 1. SAME AS -1 EXCEPT:
2. FINISH ITEM 1: .00005 MIN GOLD OVER .00005 MIN NICKEL
- 1. SAME AS -4 EXCEPT:
2. MOUNTED ON TAPE.

NOTE:

1 OBSOLETE PARTS: OBSOLETE CIS STREAMLINING PER D.RENAUD/D.SINISI

REVISIONS				
ZONE	LTR	DESCRIPTION	DATE	APPROVED
	K	REVISED & REDRAWN PER B-131&B-17	4/2/71	RS/RPM
B-1	K1	NOTE ADDED ECN B-141	7/16/71	JW/RS
	L	REVISED PER ECN B-840	8/3/72	GM
	M	OBSOLETE -5 ECN C-776 AS	4-15-74	RS
	N	REACTIVATE -5 PER ECN E-530	7/26/76	JH/JM
	P	OBSOLETE -5 PER ECN J-496	11/15/82	TKH/SP
	R	OBS. -2 PER ECN R-2753	3-17-87	MPH/THW
	S	REVISED ECN S4142	9-17-87	THW
	T	OBS -3 PER ECN S4350	12-15-87	THW
	U	REACTIVATE -3 PER ECN S4462	3-1-88	THW
	V	REV PER ECN B22619	3-20-89	THW
	W	OBS -3 PER ECN 0020-344-93	6-2-93	RSK
	Y	REACTIVATE -3 EC 0020-732-93	7-9-93	GS
	Z	OBS -4 PER EC 0020-0184-93	11-16-94	RK
	Z1	REVISED PER ECO-09-026346	26NOV09	AEG



COLOR CODED BLUE

ITEM 2 RETAINING SPRING: STAINLESS STEEL

.128 MAX. DIA.

.069
.066
DIA.

.128
MAX.
DIA.

.063
.061
DIA.

.300

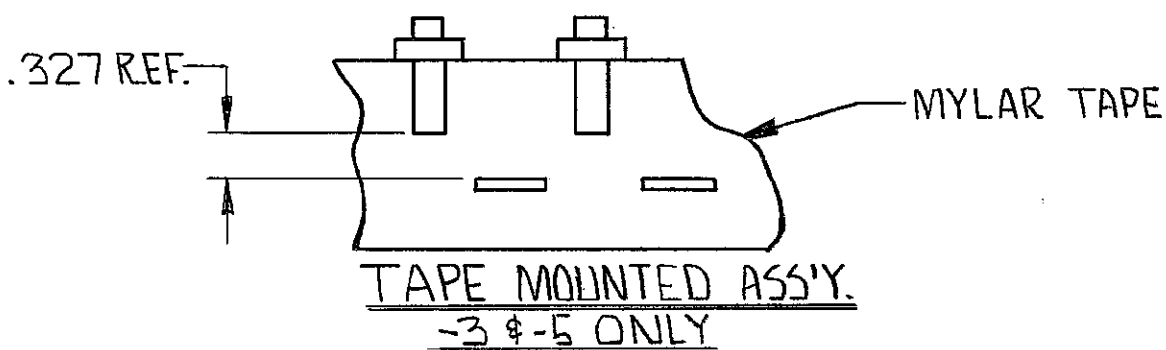
±.010
.905

±.015
.031 DIA.
INSPECTION HOLE

ITEM 1
BODY: COPPER ALLOY
.000030 MIN GOLD OVER
.000050 MIN NICKEL

WHEN ORDERING CONTACT ON TAPE, ORDER BY THE TAPE NUMBER PLUS THE PACKAGING CODE AS FOLLOWS:

- 1. FOR USE WITH AMP TAPETRONIC, PNEUMATIC TOOL -
 - A. 1000 PARTS TO A BOX ADD PACKAGING CODE: 1MBOX
- 2. FOR USE WITH 4/8 INDENT STRIPPER CRIMPER -
 - A. 1000 PARTS TO A REEL ADD PACKAGING CODE: 1MREEL
 - B. 5000 PARTS TO A REEL ADD PACKAGING CODE: 5MREEL



MYLAR TAPE

TAPE MOUNTED ASSY.
-3 & -5 ONLY

UNLESS OTHERWISE SPECIFIED DIMENSIONS ARE IN INCHES
TOLERANCES ON:
DECIMALS ±.005
ANGLES ±.1°

MATERIAL
SEE CALLOUT

CONTRACT NO.	
DR	4/2/71
CHK	4/5/71
APPD	4/6/71
REL	4/6/71
DSGN APPD	
OTHER APPD	

		AMP INCORPORATED - HARRISBURG, PENNSYLVANIA	
		NAME	
# 16 CONTACT - PIN TYPE II - SPECIAL SHORT		SIZE	CODE IDENT NO.
		B	00779
		NUMBER	200681
SCALE		SHEET 1 OF 1	