



Chipsmall Limited consists of a professional team with an average of over 10 year of expertise in the distribution of electronic components. Based in Hongkong, we have already established firm and mutual-benefit business relationships with customers from,Europe,America and south Asia,supplying obsolete and hard-to-find components to meet their specific needs.

With the principle of “Quality Parts,Customers Priority,Honest Operation,and Considerate Service”,our business mainly focus on the distribution of electronic components. Line cards we deal with include Microchip,ALPS,ROHM,Xilinx,Pulse,ON,Everlight and Freescale. Main products comprise IC,Modules,Potentiometer,IC Socket,Relay,Connector.Our parts cover such applications as commercial,industrial, and automotives areas.

We are looking forward to setting up business relationship with you and hope to provide you with the best service and solution. Let us make a better world for our industry!



Contact us

Tel: +86-755-8981 8866 Fax: +86-755-8427 6832

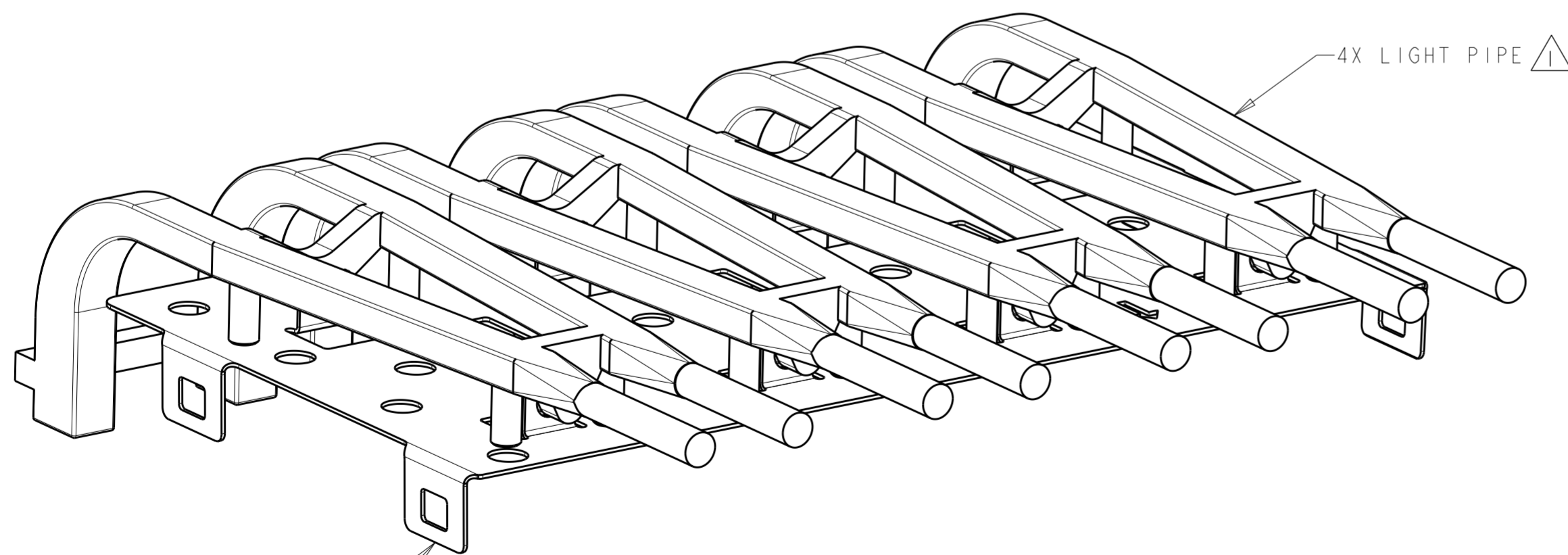
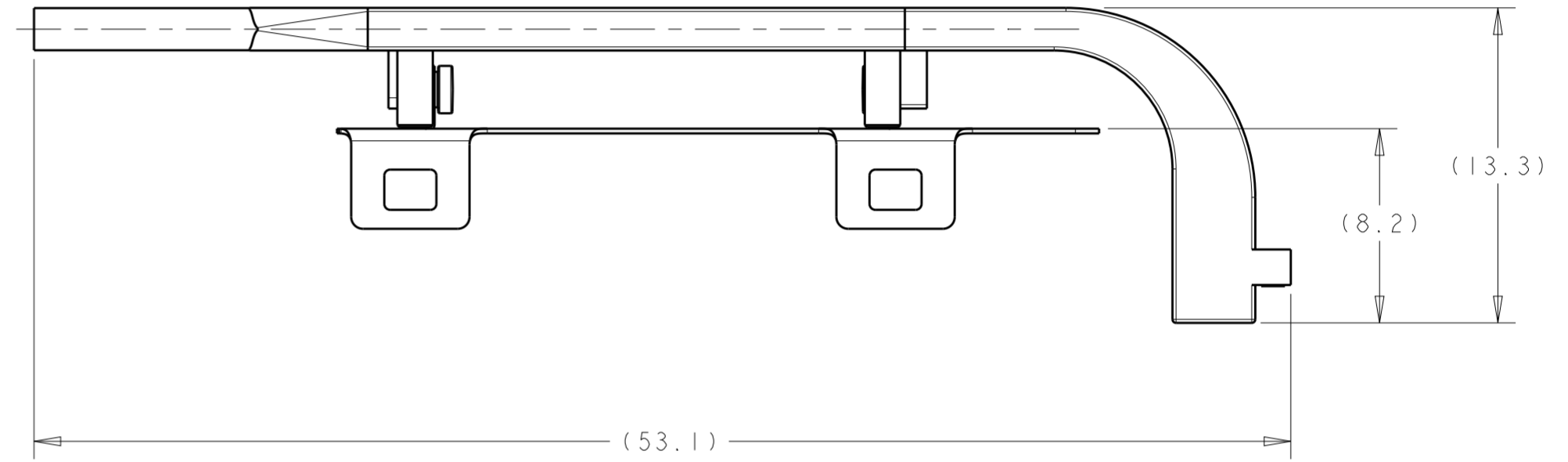
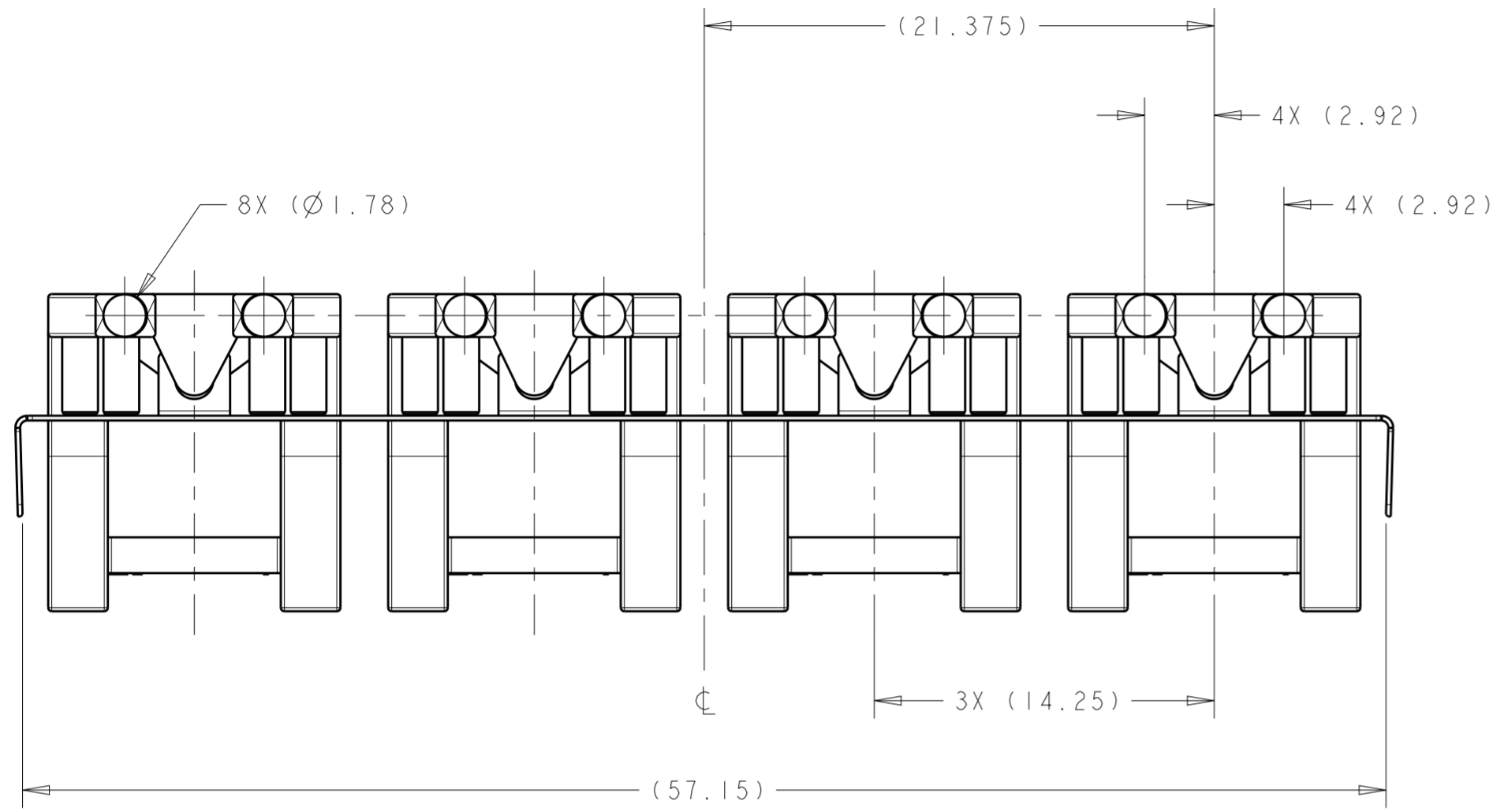
Email & Skype: info@chipsmall.com Web: www.chipsmall.com

Address: A1208, Overseas Decoration Building, #122 Zhenhua RD., Futian, Shenzhen, China



THIS DRAWING IS UNPUBLISHED. RELEASED FOR PUBLICATION
 © COPYRIGHT 20 BY - ALL RIGHTS RESERVED.

LOC		DIST		REVISIONS			
P	LTR	DESCRIPTION	DATE	DWN	APVD		
	A	RELEASED PER ECO-09-004191	23FEB2009	ZMR	MRS		
	A1	REVISED PER ECO-14-003229	05MAR2014	PP	SH		
	A2	REVISED PER ECO-16-013641	31AUG2016	PP	SH		



- ① POLYCARBONATE, CLEAR, UL 94V-2.
- ② STAINLESS STEEL PER ASTM A 666

② LIGHT PIPE BRACKET

2007099-1
SCALE 4:1

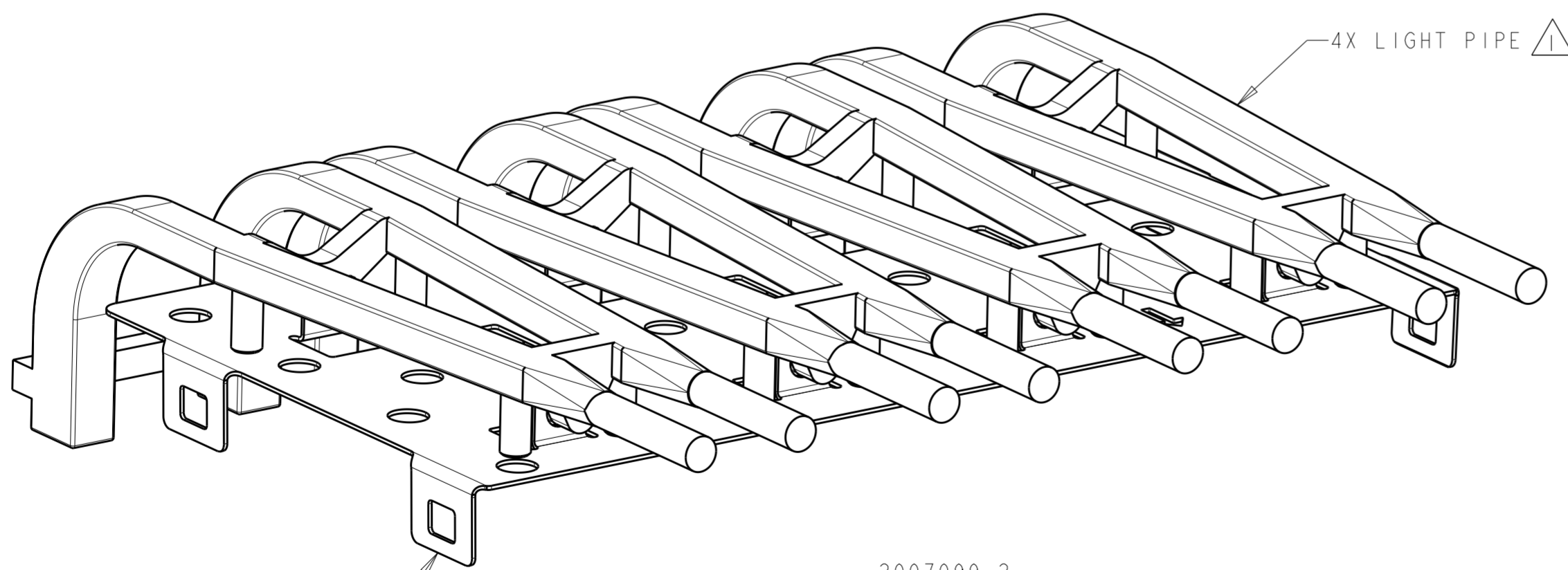
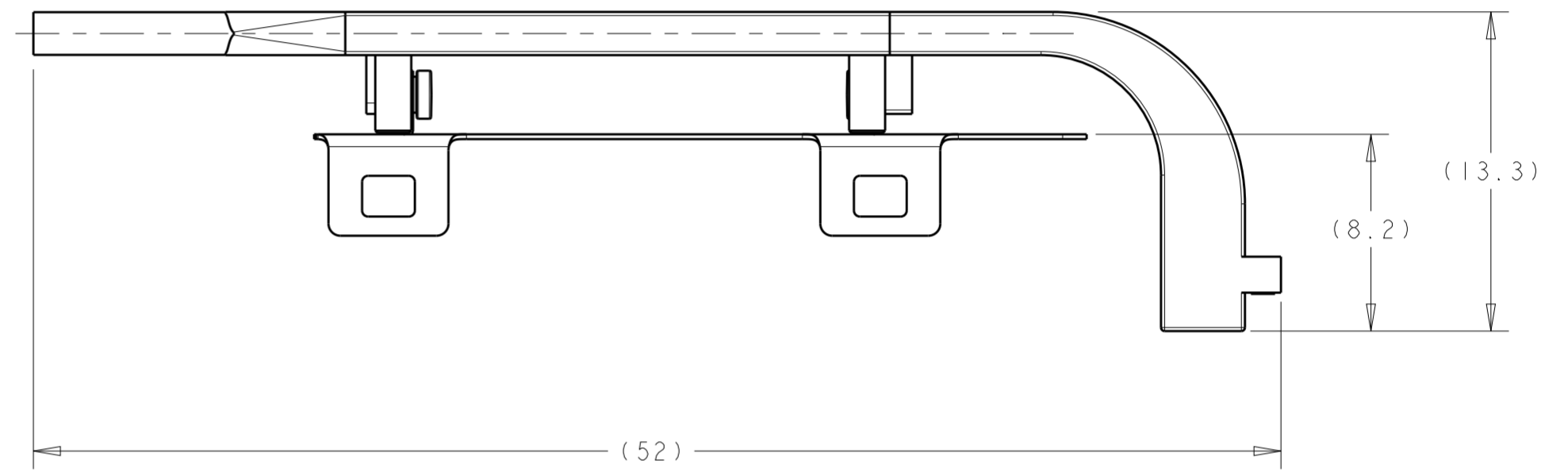
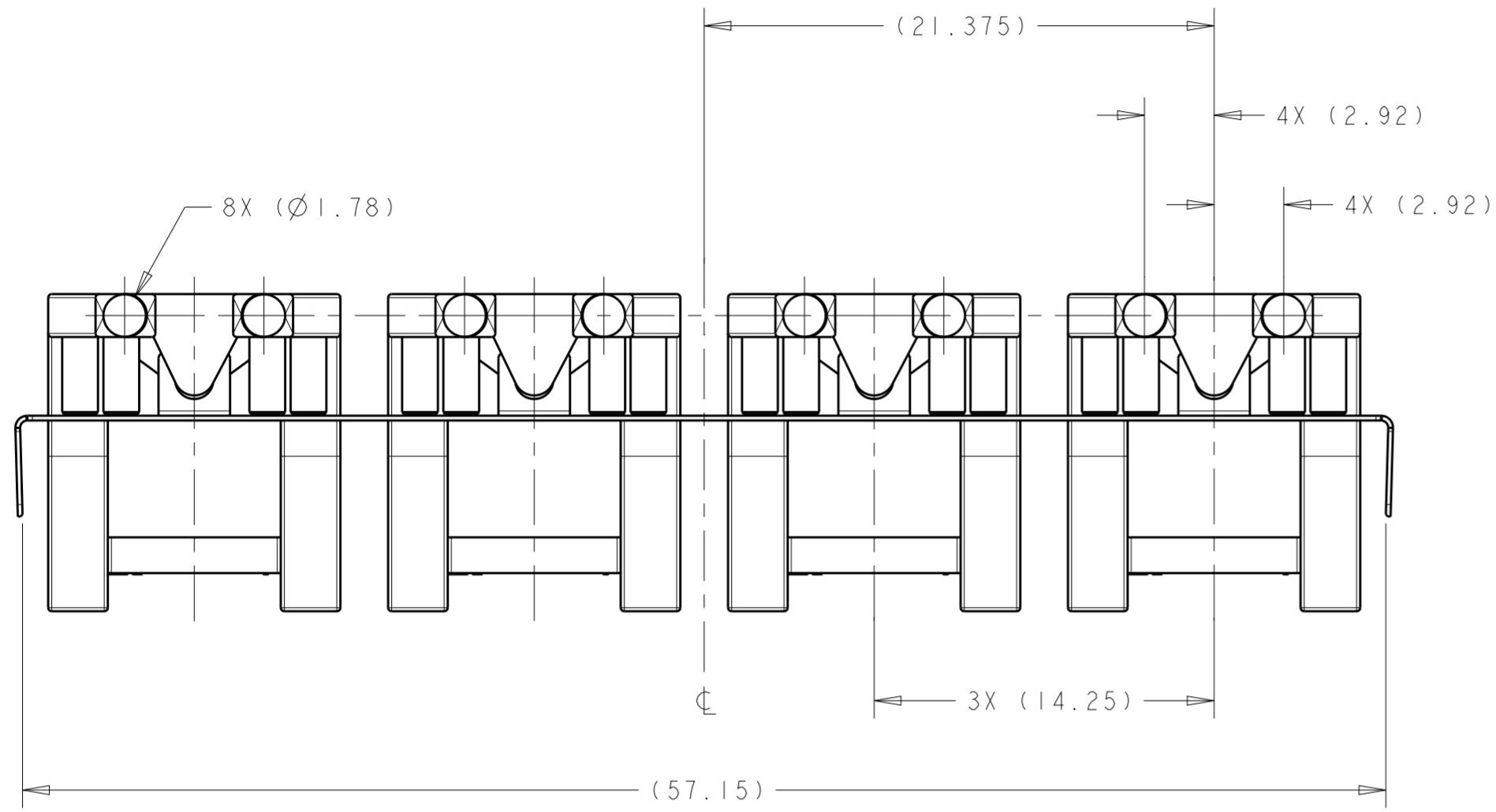
2007099-1

PART NUMBER

THIS DRAWING IS A CONTROLLED DOCUMENT.		DWN M.F. COWHER CHK M.J. PHILLIPS APVD M.J. PHILLIPS	TE Connectivity	
DIMENSIONS: mm	TOLERANCES UNLESS OTHERWISE SPECIFIED:	PRODUCT SPEC 108-2364	NAME 1X4 LIGHT PIPE ASSEMBLY SFP+	
0 PLC ±-	1 PLC ±-	APPLICATION SPEC -	SIZE A2	CAGE CODE 100779
2 PLC ±-	3 PLC ±-	WEIGHT -	DRAWING NO. C-2007099	RESTRICTED TO -
4 PLC ±-	ANGLES ±-	CUSTOMER DRAWING	SCALE 1:1	SHEET 1 OF 6
MATERIAL ① ② -	FINISH -			REV A2

THIS DRAWING IS UNPUBLISHED. RELEASED FOR PUBLICATION
 © COPYRIGHT 20 BY - ALL RIGHTS RESERVED.

LOC	DIST	REVISIONS			
P	LTR	DESCRIPTION	DATE	DWN	APVD
-	-	SEE SHEET 1	-	-	-



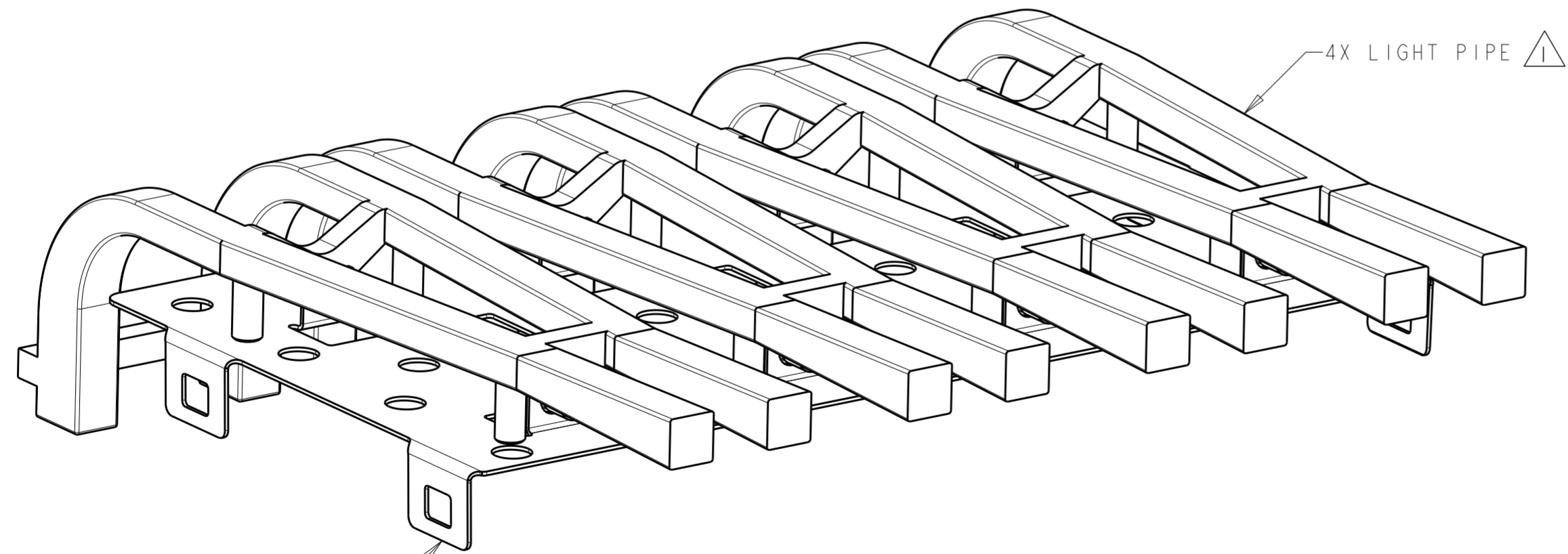
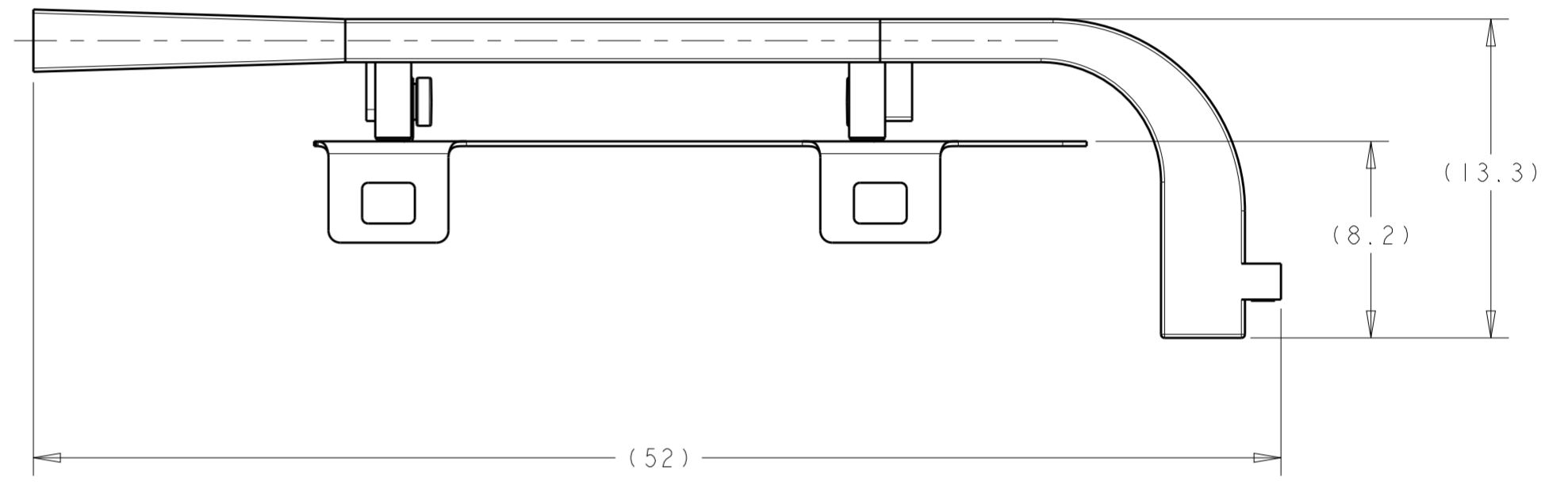
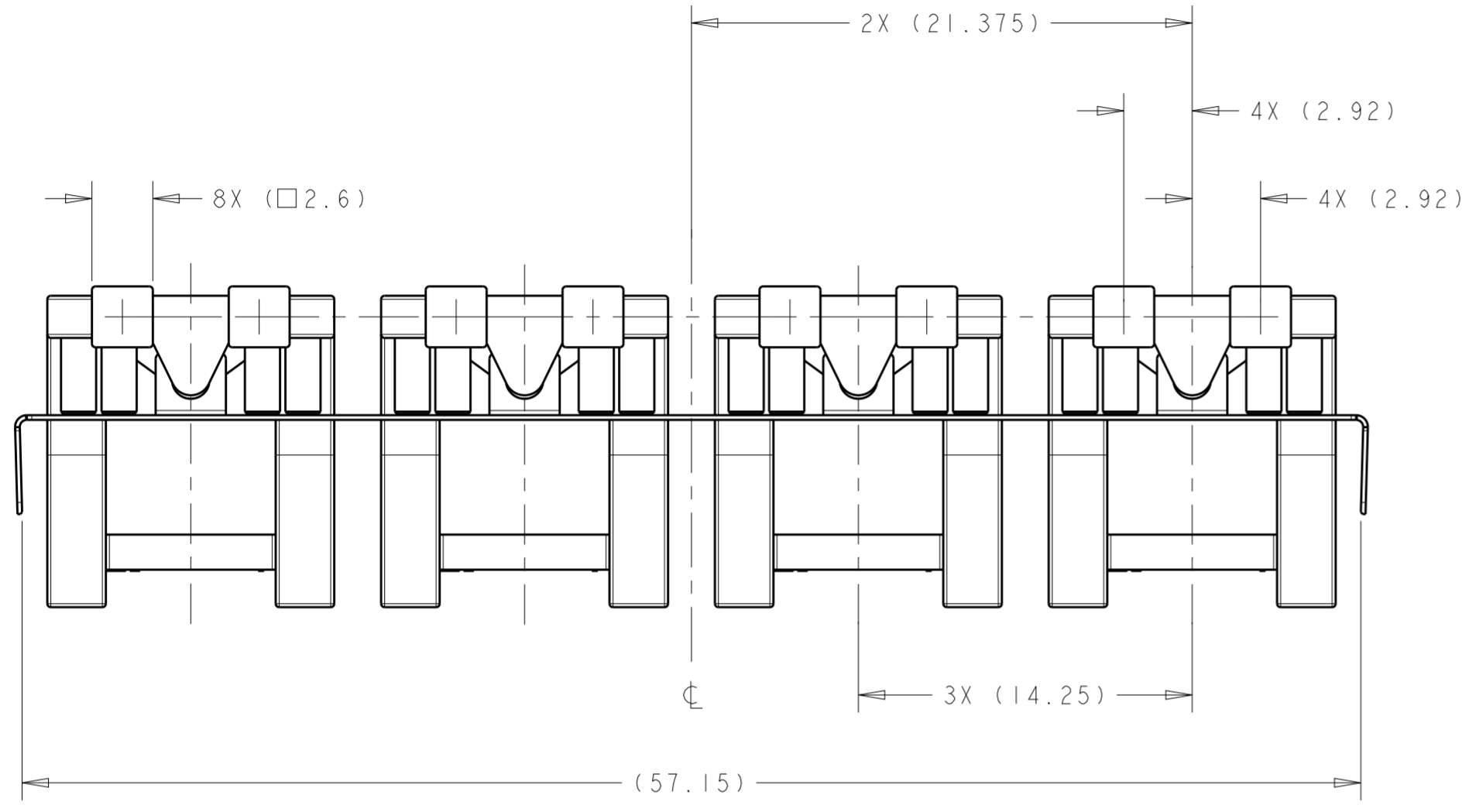
2007099-2
 SCALE 4:1

2007099-2
 PART NUMBER

THIS DRAWING IS A CONTROLLED DOCUMENT.		DWN M.F. COWHER CHK M.J. PHILLIPS APVD M.J. PHILLIPS	TE Connectivity	
DIMENSIONS: mm	TOLERANCES UNLESS OTHERWISE SPECIFIED:	PRODUCT SPEC 108-2364	NAME 1X4 LIGHT PIPE ASSEMBLY SFP+	
0 PLC ±-	1 PLC ±-	APPLICATION SPEC -	SIZE A2	CAGE CODE 100779
2 PLC ±-	3 PLC ±-	WEIGHT -	DRAWING NO. C-2007099	RESTRICTED TO -
4 PLC ±-	ANGLES ±-	MATERIAL	SCALE 4:1	SHEET 2 OF 6
FINISH -	finish_spec_2	Customer Drawing	REV A2	

THIS DRAWING IS UNPUBLISHED. RELEASED FOR PUBLICATION
 © COPYRIGHT 20 BY - ALL RIGHTS RESERVED.

LOC		DIST		REVISIONS			
P	LTR	DESCRIPTION		DATE	DWN	APVD	
-	-	SEE SHEET 1		-	-	-	



2007099-3
SCALE 4:1

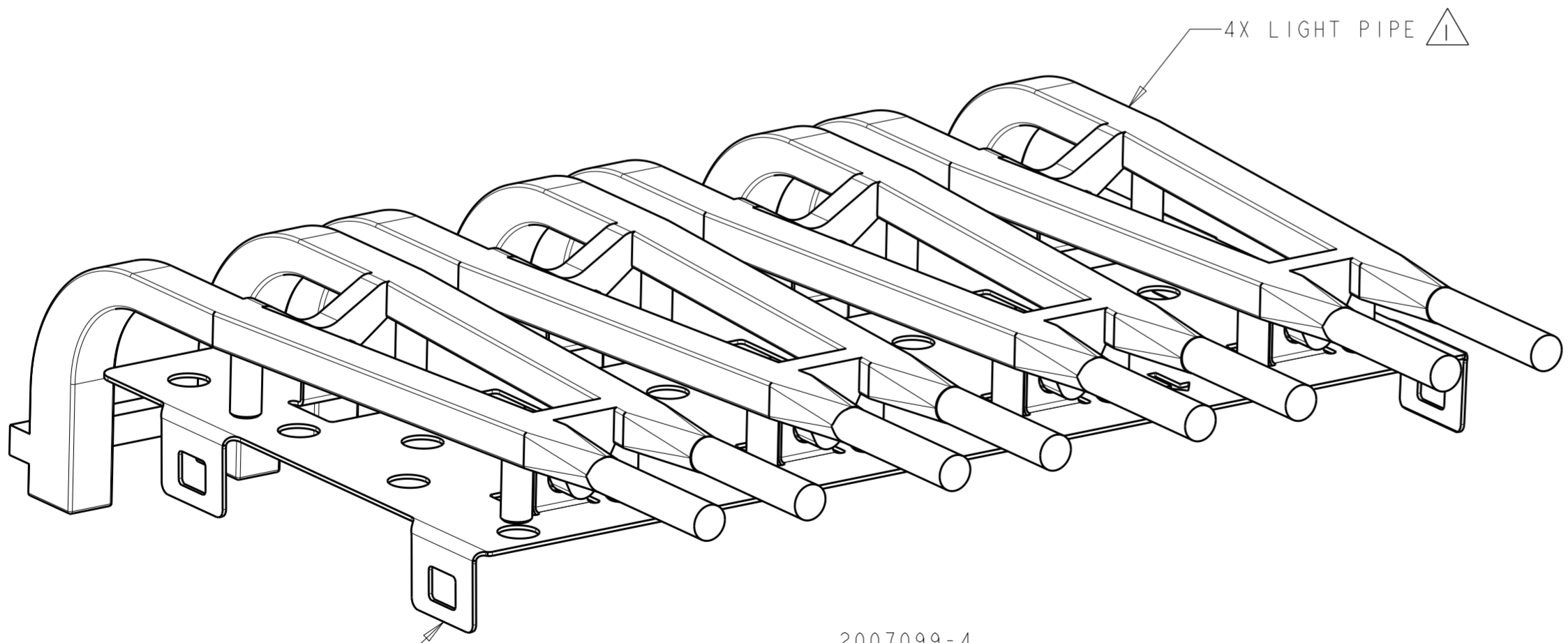
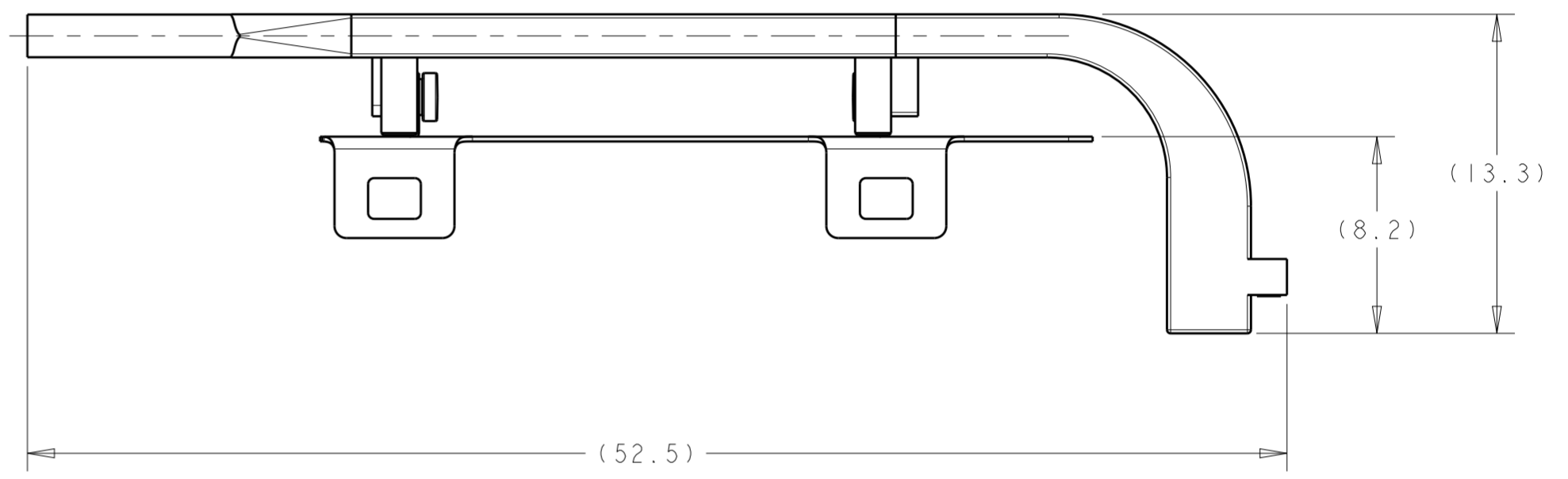
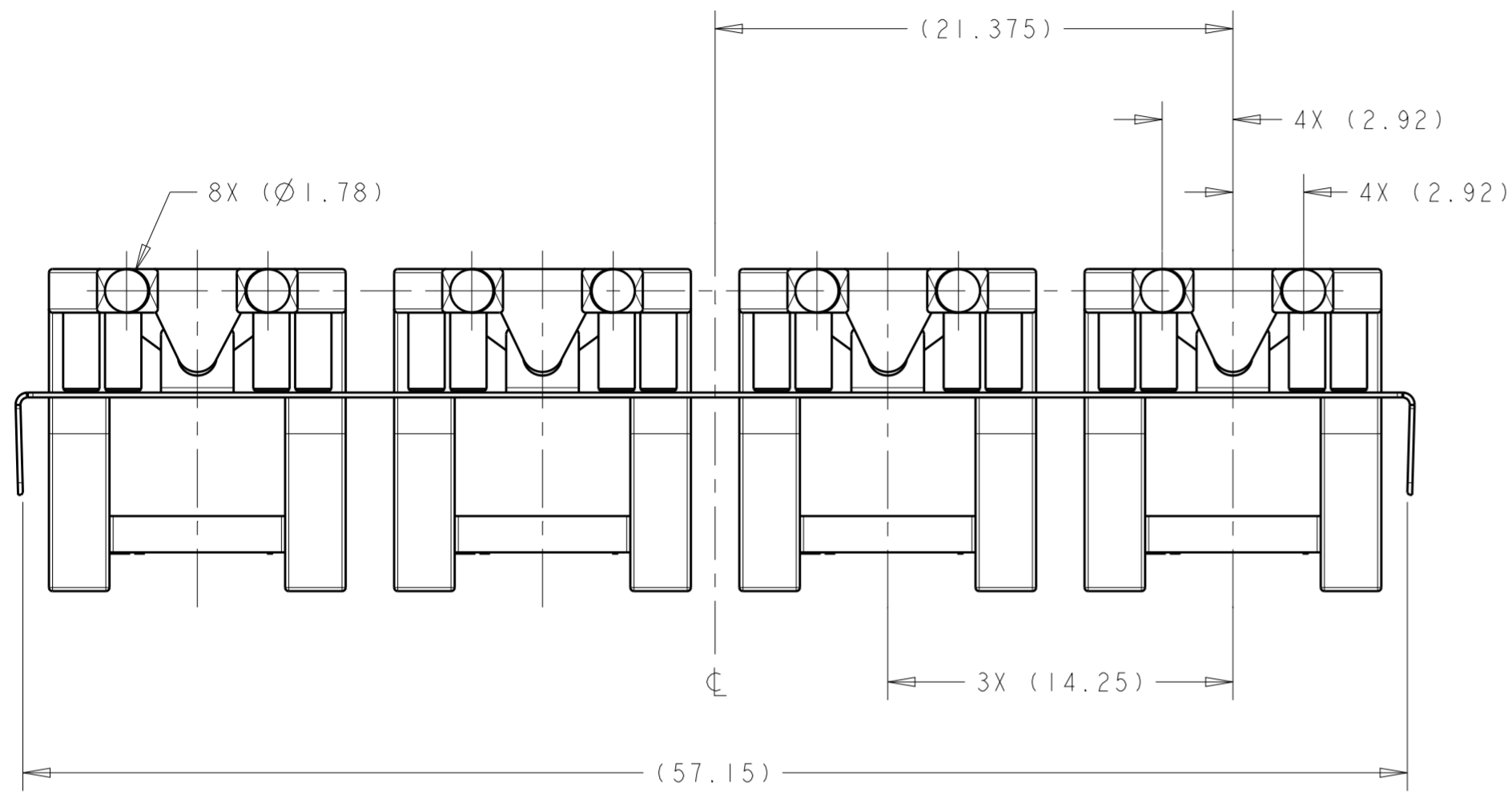
2 LIGHT PIPE BRACKET

2007099-3
PART NUMBER

THIS DRAWING IS A CONTROLLED DOCUMENT.		DWN: M.F. COWHER CHK: M.J. PHILLIPS APVD: M.J. PHILLIPS	TE Connectivity	
DIMENSIONS: mm	TOLERANCES UNLESS OTHERWISE SPECIFIED:	PRODUCT SPEC: 108-2364	NAME: 1X4 LIGHT PIPE ASSEMBLY SFP+	
0 PLC ±-	1 PLC ±-	APPLICATION SPEC: -	SIZE: A2	CAGE CODE: 100779
2 PLC ±-	3 PLC ±-	WEIGHT: -	DRAWING NO: C-2007099	RESTRICTED TO: -
4 PLC ±-	ANGLES ±-	MATERIAL: material_2	SCALE: 4:1	SHEET: 3 OF 6
FINISH: -	finish_spec_2	Customer Drawing		REV: A2

THIS DRAWING IS UNPUBLISHED. RELEASED FOR PUBLICATION
 © COPYRIGHT 20 BY - ALL RIGHTS RESERVED.

LOC		DIST		REVISIONS			
P	LTR	DESCRIPTION	DATE	DWN	APVD		
-	-	SEE SHEET 1	-	-	-		



2007099-4
 SCALE 4:1

2007099-4
 PART NUMBER

THIS DRAWING IS A CONTROLLED DOCUMENT.		DWN M.F.COWHER CHK M.J.PHILLIPS APVD M.J.PHILLIPS	TE Connectivity	
DIMENSIONS: mm	TOLERANCES UNLESS OTHERWISE SPECIFIED: 0 PLC ±- 1 PLC ±- 2 PLC ±- 3 PLC ±- 4 PLC ±- ANGLES ±- FINISH -	10MAY2007 10MAY2007 10MAY2007	NAME 1X4 LIGHT PIPE ASSEMBLY SFP+	
MATERIAL	finish_spec_2	PRODUCT SPEC 108-2364	SIZE A2	CAGE CODE 100779
Customer Drawing		WEIGHT	DRAWING NO C-2007099	RESTRICTED TO
SCALE 4:1		SHEET 4 OF 6		REV A2

4

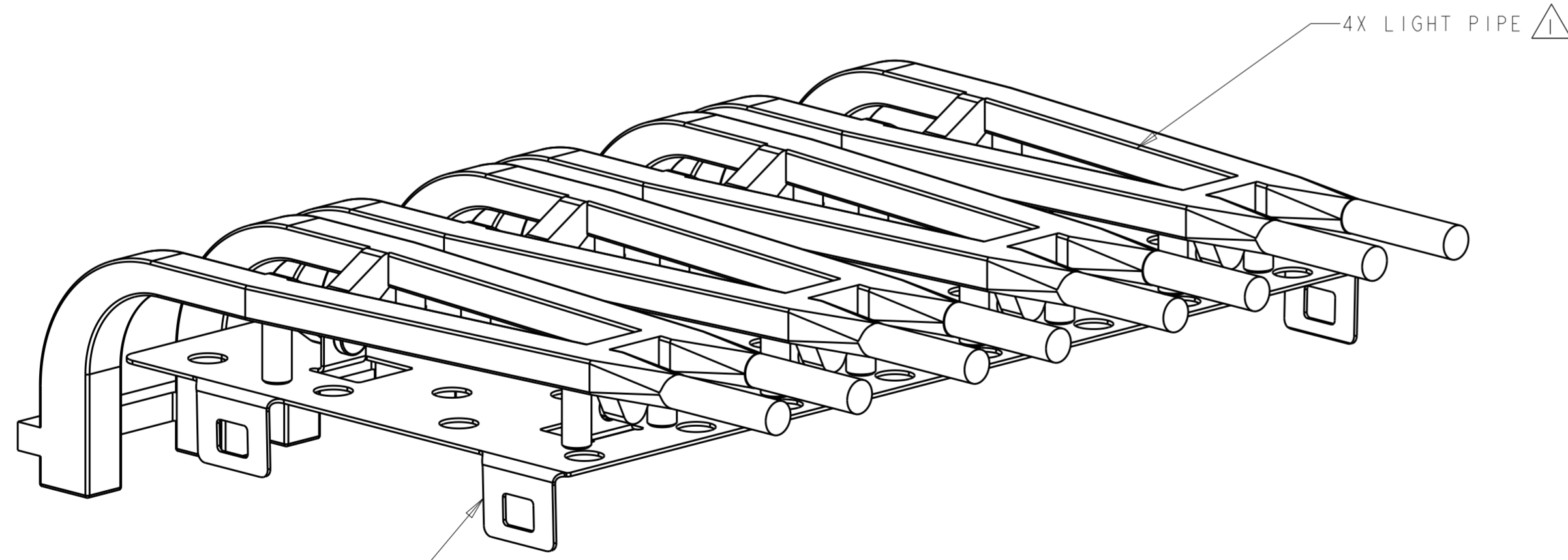
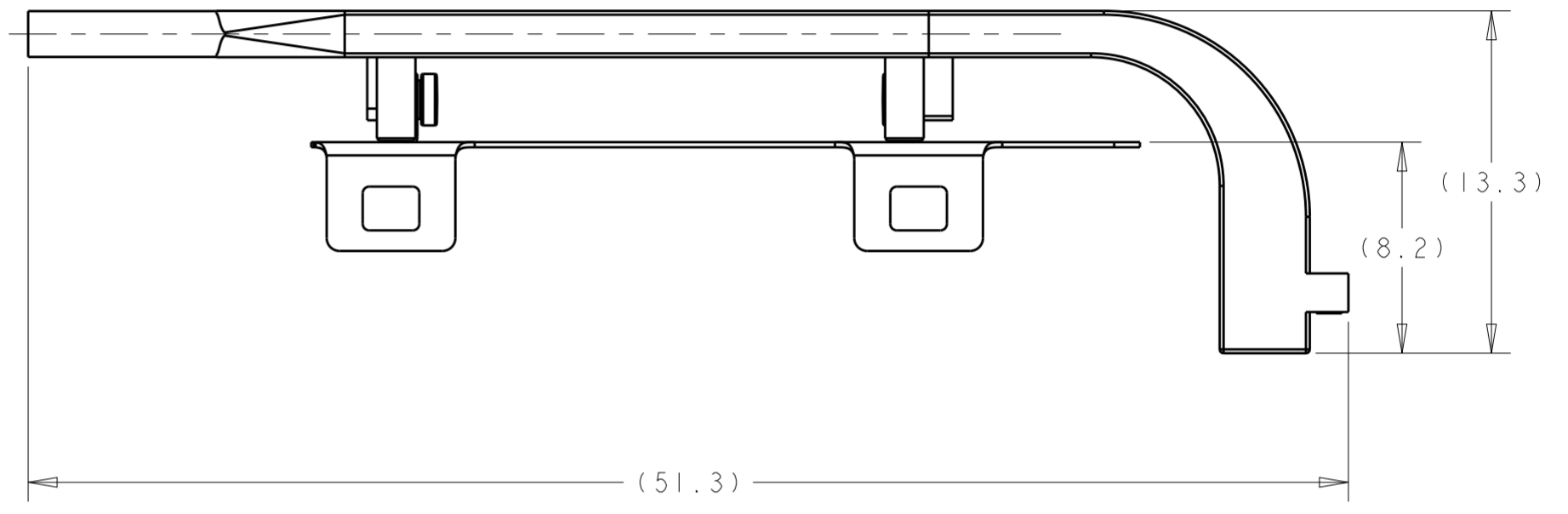
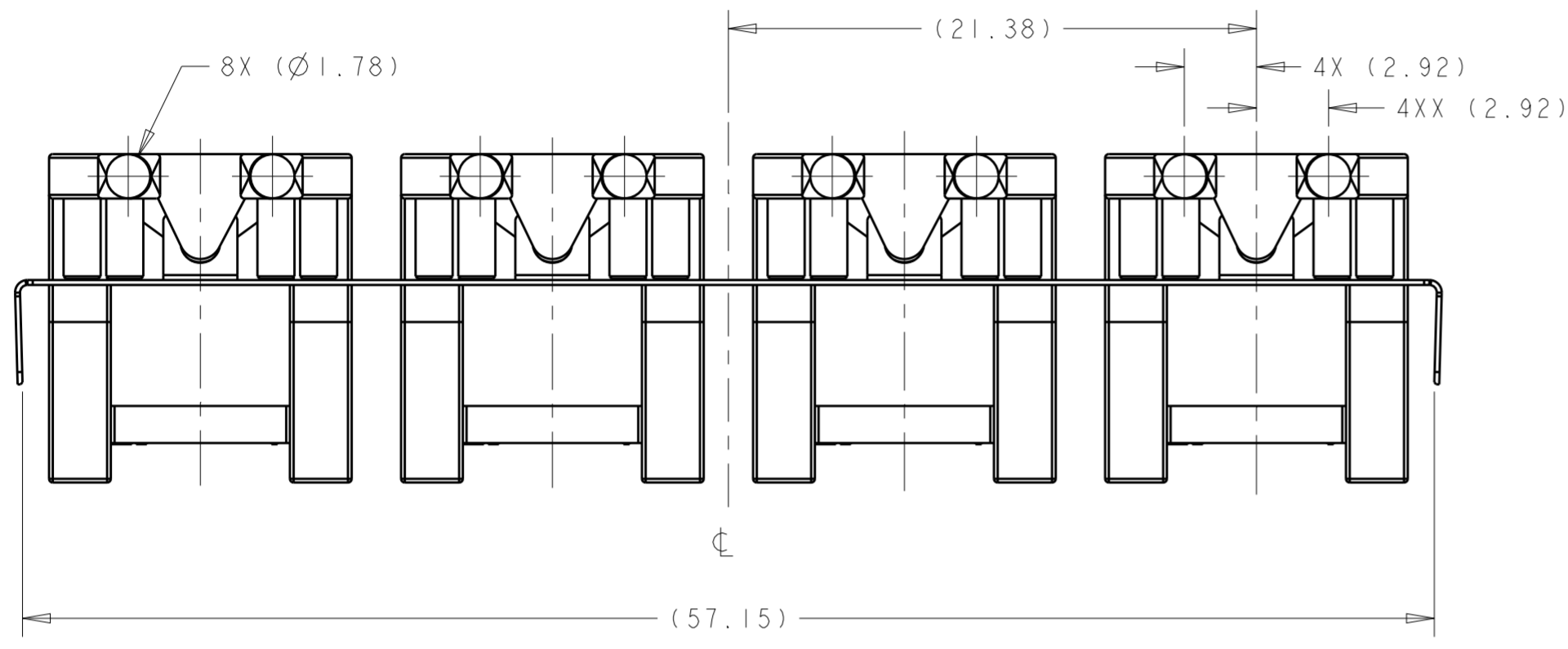
3

2

1

THIS DRAWING IS UNPUBLISHED. RELEASED FOR PUBLICATION
 © COPYRIGHT 20 BY - ALL RIGHTS RESERVED.

LOC		DIST		REVISIONS			
P	LTR	DESCRIPTION		DATE	DWN	APVD	
-		SEE SHEET 1		-	-	-	



1-2007099-0

1-2007099-0

PART NUMBER

THIS DRAWING IS A CONTROLLED DOCUMENT.		DWN M.F. COWHER 10MAY2007	STE TE Connectivity	
DIMENSIONS: mm		CHK M.J. PHILLIPS 10MAY2007		
TOLERANCES UNLESS OTHERWISE SPECIFIED:		APVD M.J. PHILLIPS 10MAY2007	NAME 1X4 LIGHT PIPE ASSEMBLY SFP+	
0 PLC ±- 1 PLC ±- 2 PLC ±- 3 PLC ±- 4 PLC ±- ANGLES ±- FINISH -		PRODUCT SPEC 108-2364	SIZE A2	CAGE CODE 00779
MATERIAL $\triangle 1$ - $\triangle 2$ material_2		APPLICATION SPEC -	DRAWING NO C-2007099	RESTRICTED TO -
finish_spec_2		WEIGHT -	SCALE 4:1	SHEET 5 OF 6
		Customer Drawing	REV A2	

4

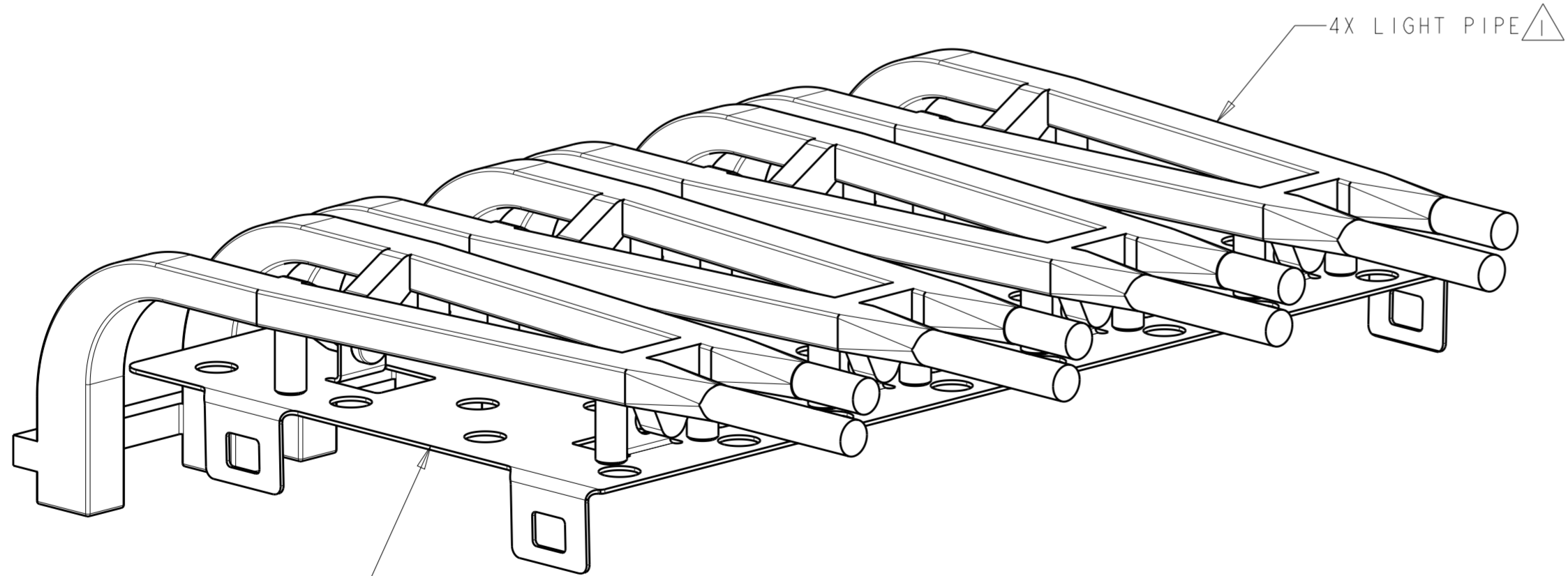
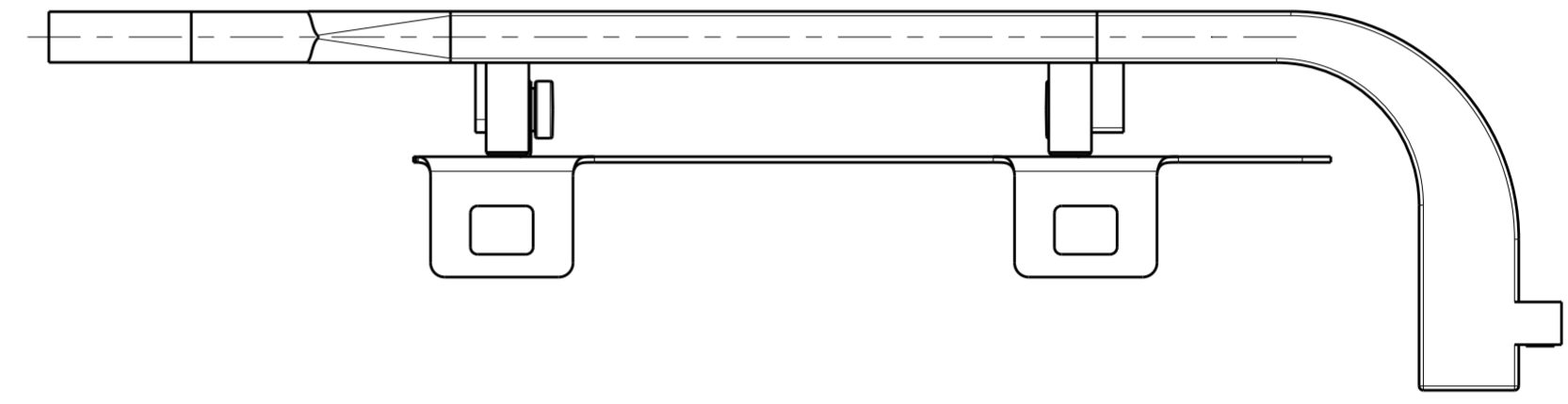
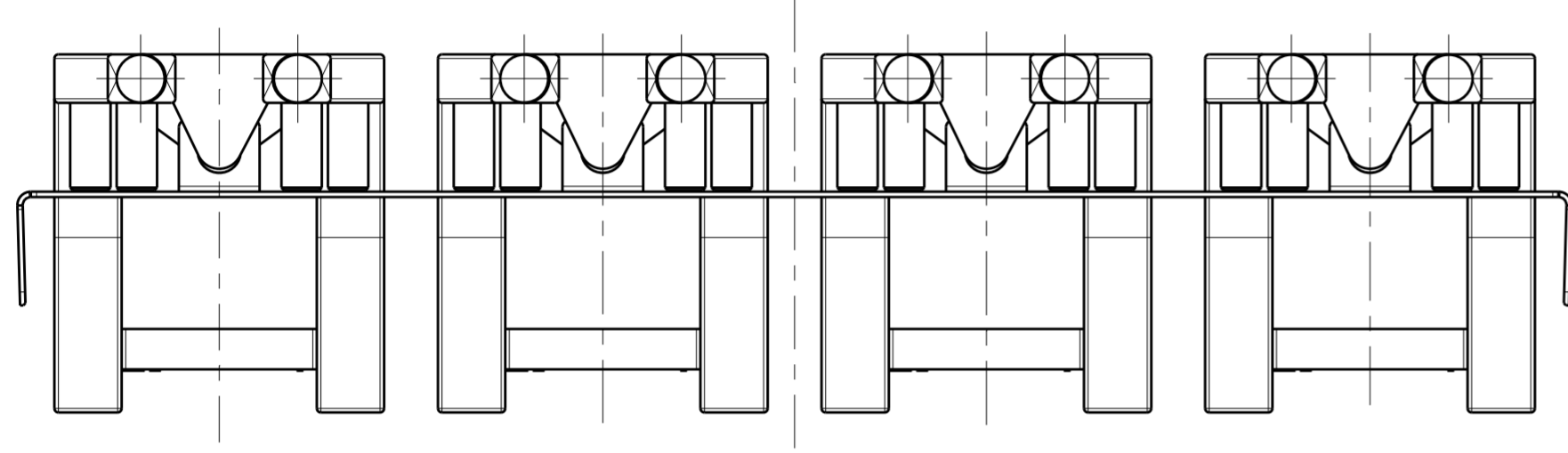
3

2

1

THIS DRAWING IS UNPUBLISHED. RELEASED FOR PUBLICATION
 © COPYRIGHT 20 BY - ALL RIGHTS RESERVED.

LOC		DIST		REVISIONS			
P	LTR	DESCRIPTION	DATE	DWN	APVD		
-	-	SEE SHEET 1	-	-	-		



2-2007099-1
 PART NUMBER

2-2007099-1

THIS DRAWING IS A CONTROLLED DOCUMENT.		DWN M.F. COWHER LOMAY2007	TE Connectivity	
DIMENSIONS: mm		CHK M.J. PHILLIPS LOMAY2007		
TOLERANCES UNLESS OTHERWISE SPECIFIED:		APVD M.J. PHILLIPS LOMAY2007	NAME 1X4 LIGHT PIPE ASSEMBLY	
0 PLC ±-	1 PLC ±-	PRODUCT SPEC	SFP+	
2 PLC ±-	3 PLC ±-	108-2364	SIZE	CAGE CODE
4 PLC ±-	ANGLES ±-	APPLICATION SPEC	A2	100779
MATERIAL	FINISH	WEIGHT	DRAWING NO	
material_2	finish_spec_2	Customer Drawing	C-2007099	
SCALE 4:1		SHEET 6 OF 6		REV A2