



Chipsmall Limited consists of a professional team with an average of over 10 year of expertise in the distribution of electronic components. Based in Hongkong, we have already established firm and mutual-benefit business relationships with customers from,Europe,America and south Asia,supplying obsolete and hard-to-find components to meet their specific needs.

With the principle of “Quality Parts,Customers Priority,Honest Operation,and Considerate Service”,our business mainly focus on the distribution of electronic components. Line cards we deal with include Microchip,ALPS,ROHM,Xilinx,Pulse,ON,Everlight and Freescale. Main products comprise IC,Modules,Potentiometer,IC Socket,Relay,Connector.Our parts cover such applications as commercial,industrial, and automotives areas.

We are looking forward to setting up business relationship with you and hope to provide you with the best service and solution. Let us make a better world for our industry!



Contact us

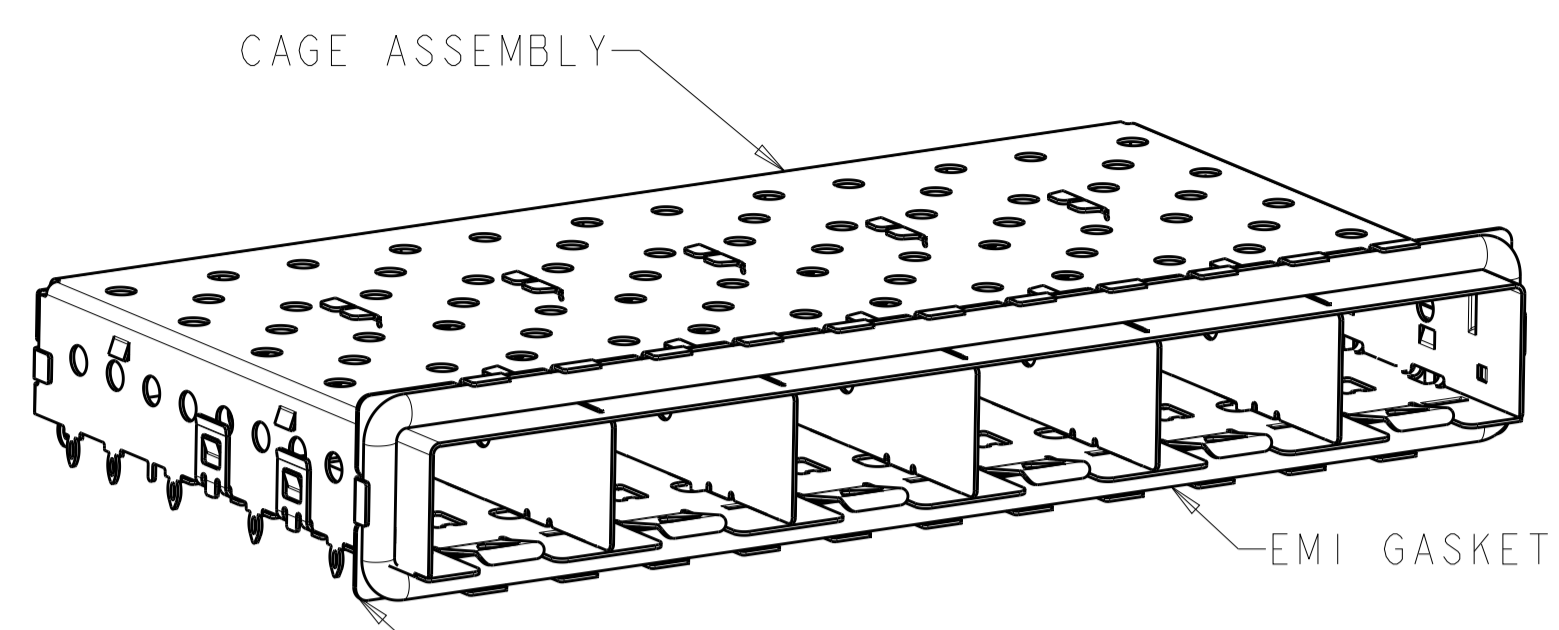
Tel: +86-755-8981 8866 Fax: +86-755-8427 6832

Email & Skype: info@chipsmall.com Web: www.chipsmall.com

Address: A1208, Overseas Decoration Building, #122 Zhenhua RD., Futian, Shenzhen, China

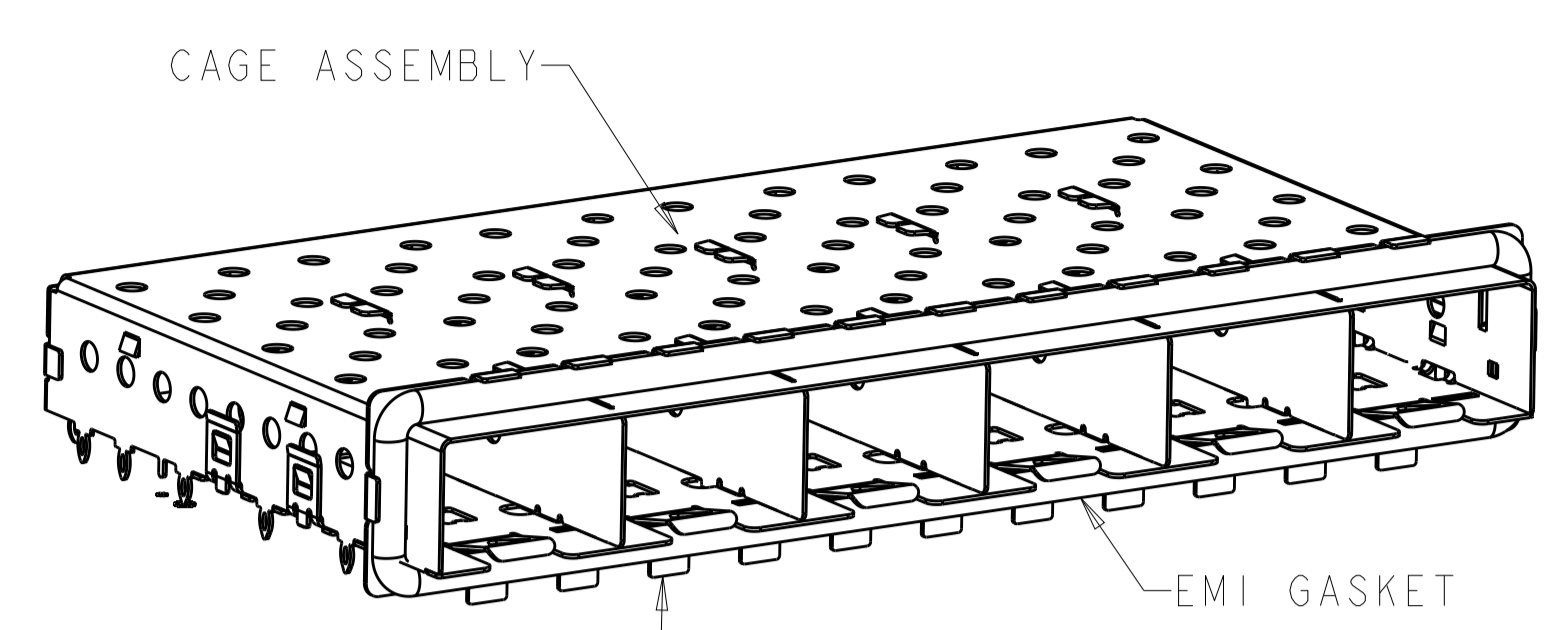


LOC		DIST		REVISIONS			
GP	00	P	LTN	DESCRIPTION	DATE	DWN	APVD
		D		REVISED PER ECO-12-018536	16OCT2012	JY	AC



GASKET RETENTION PLATE
 "KEEPER" FINGER ARE BENT 90°.

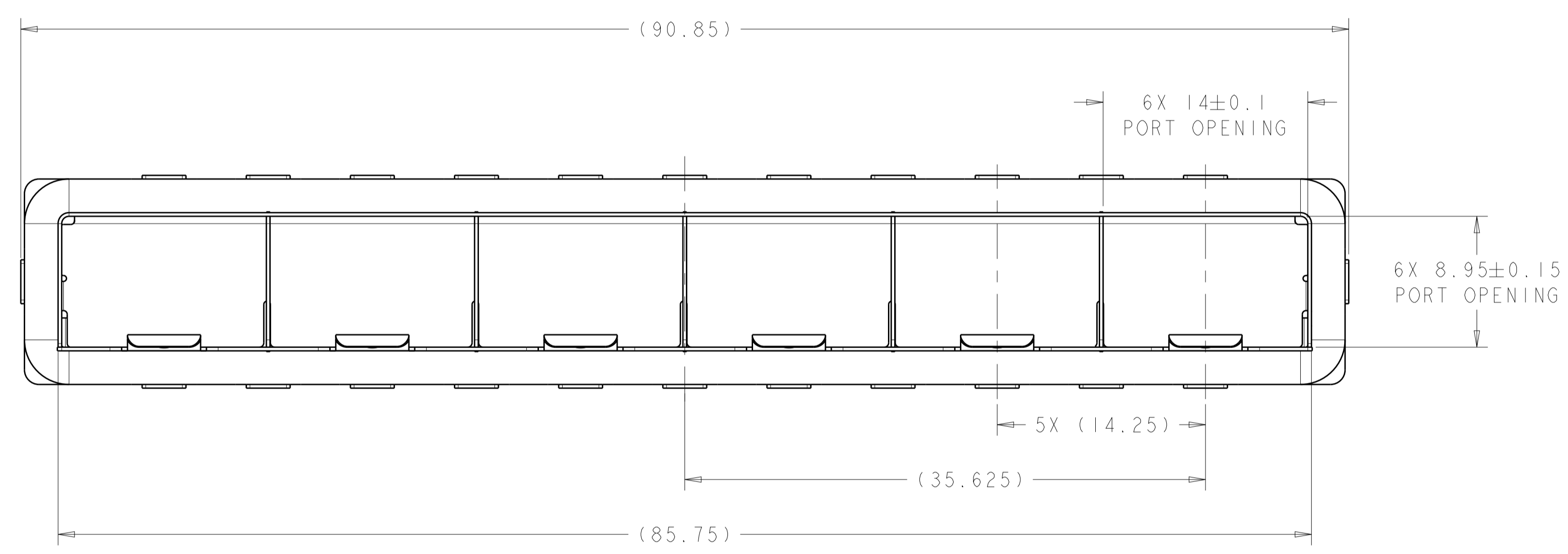
2007170-1
 SCALE 2:1



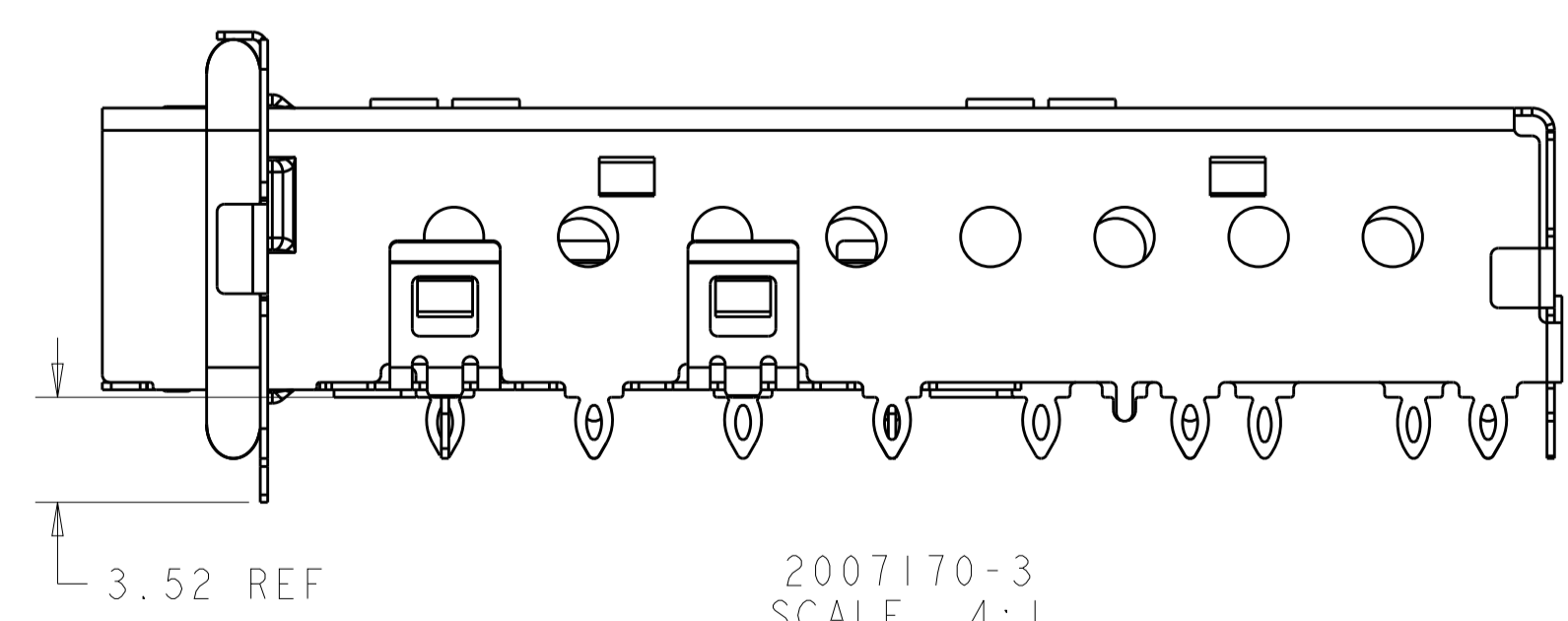
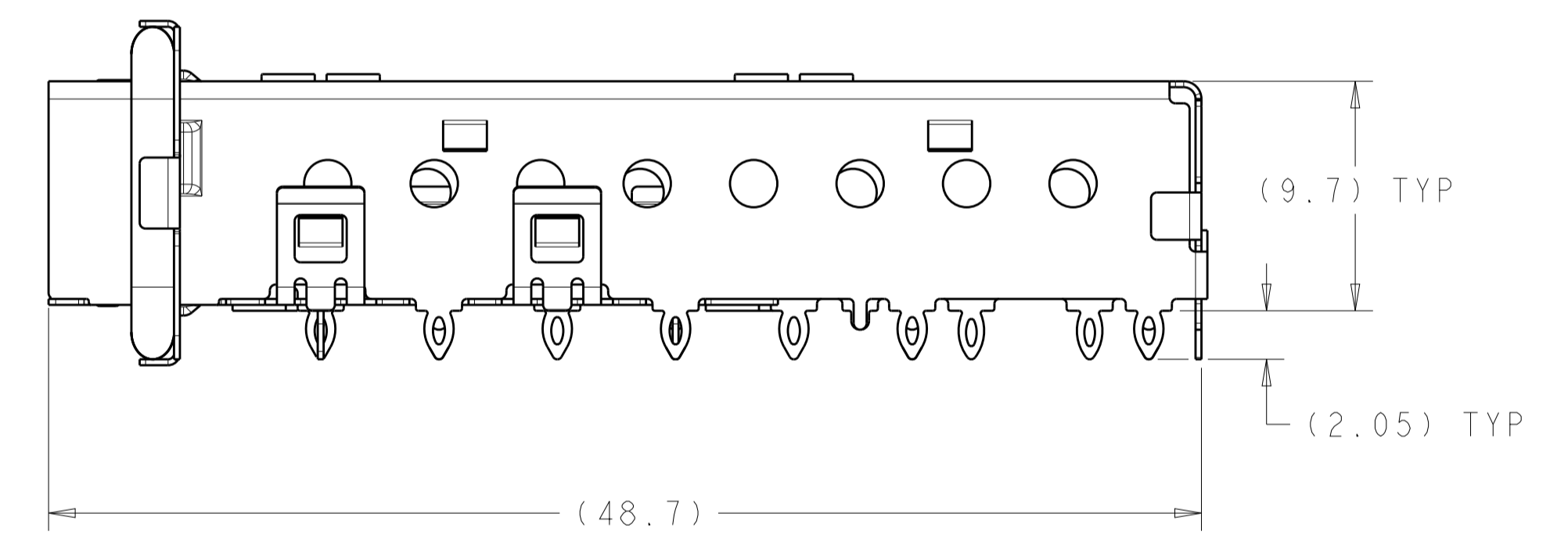
GASKET RETENTION PLATE
 BOTTOM "KEEPER" FINGER ARE
 NOT BENT 90°.

2007170-3
 SCALE 2:1

- 1. MATERIAL:
 CAGE ASSEMBLY: 0.25mm THICK NICKEL SILVER ALLOY
 GASKET RETENTION PLATE: STAINLESS STEEL
 GASKET: PLATED FILLED SILICONE
- 2. DATUM AND BASIC DIMENSION ESTABLISHED BY CUSTOMER.
- 3. MATES WITH SFP MSA COMPLIANT TRANSCEIVERS.
- 4. PADS AND VIAS CHASSIS GROUND.
- 5. INTERPRETATION OF DATUM REFERENCE FRAME IN ACCORDANCE WITH SECT 4.4.1.1 OF ASME Y14.5M-1994.
- 6. MINIMUM PC BOARD THICKNESS = 1.50mm.
- 7. HOLE PATTERN REPEATS FOR EACH PORT. SPACING BETWEEN PORTS IS 14.25mm.
- 8. REFERENCE APPLICATION SPEC. 114-13120, HOLE A, FOR RECOMMENDED DRILL HOLE DIAMETER AND PLATING THICKNESS.
- 9. REFERENCE APPLICATION SPEC. 114-13120, HOLE B, FOR RECOMMENDED DRILL HOLE DIAMETER AND PLATING THICKNESS.
- 10. PRODUCT COMPLIES WITH SPECIFICATION SFF-8433 IMPROVED PLUGGABLE FORM FACTOR FOR SFP+ GANGED CAGES.



2007170-1 AS SHOWN
 SCALE 4:1

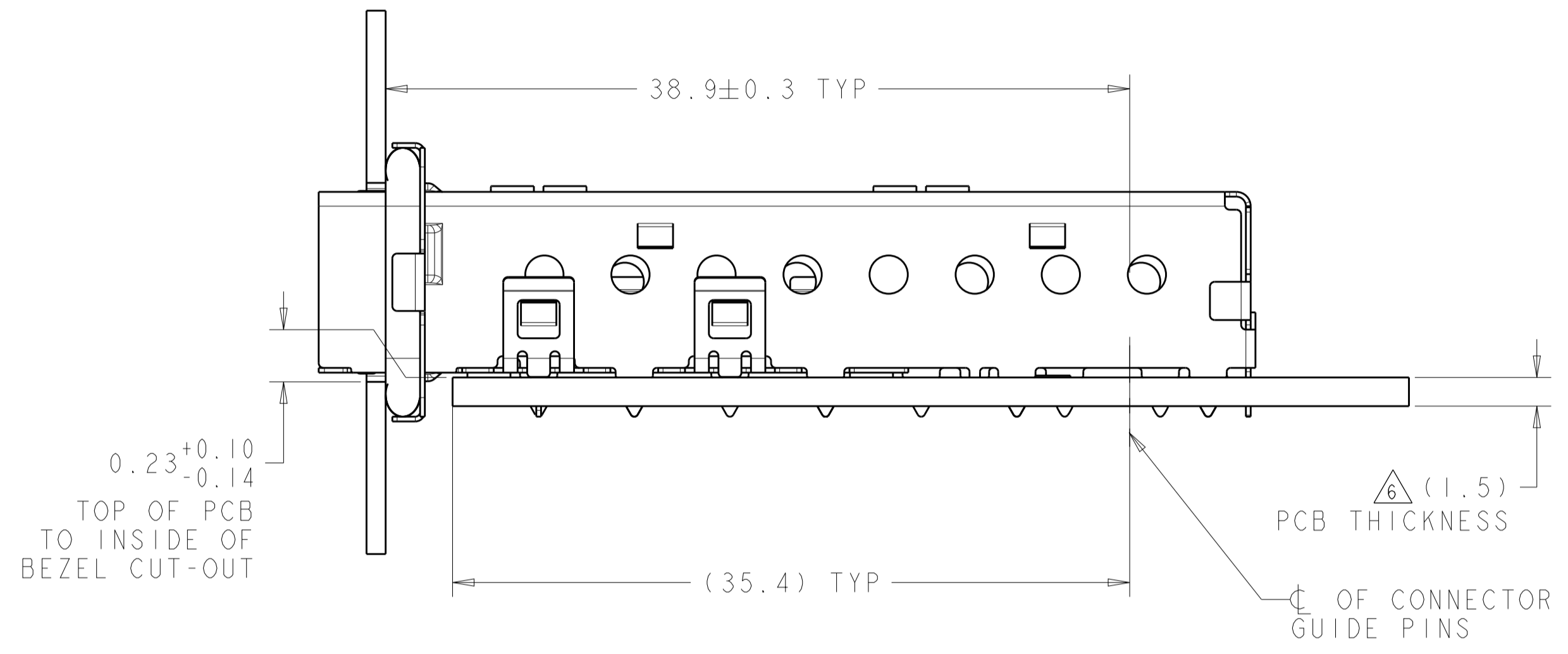
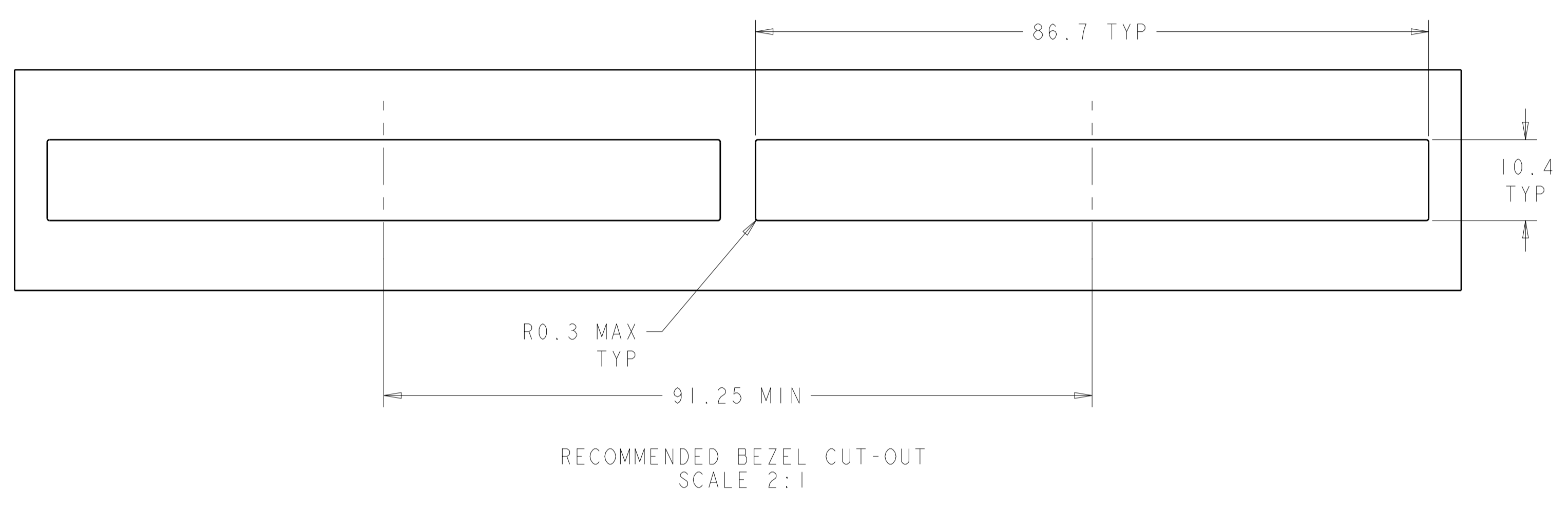


2007170-3
 SCALE 4:1

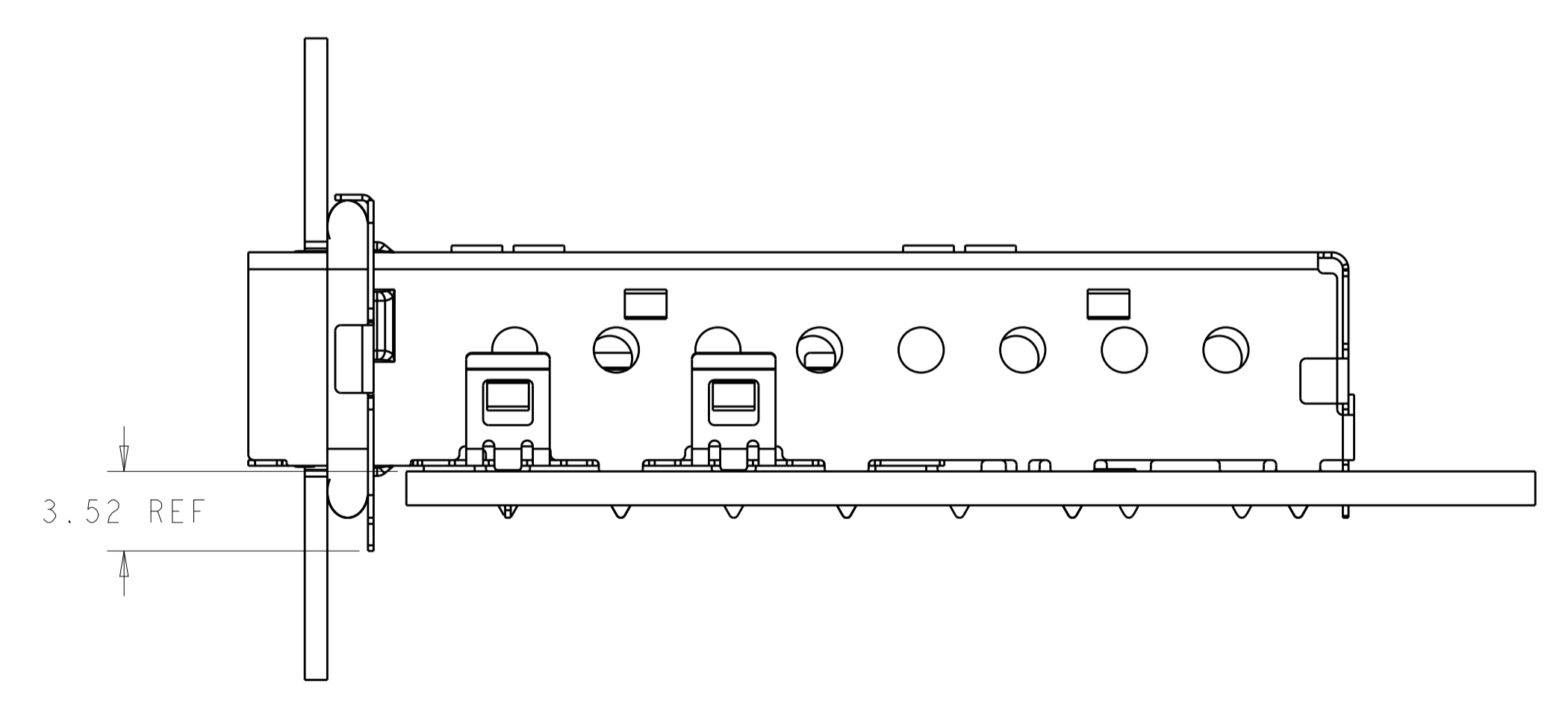
2007170-3
2007170-1
PART NUMBER

THIS DRAWING IS A CONTROLLED DOCUMENT.		DWN: Z.M.BEAM 17JUL2007	TE Connectivity
DIMENSIONS: mm		CHK: M.R.SCHMITT 17JUL2007	
TOLERANCES UNLESS OTHERWISE SPECIFIED:		APVD: R.H.WERTZ 17JUL2007	
0 PLC ±0.1 1 PLC ±0.1 2 PLC ±0.1 3 PLC ±0.1 4 PLC ±0.1 ANGLES ±1°		NAME: SFP+ 1X6 CAGE ASSEMBLY PRESS FIT, EMI GASKET PRODUCT SPEC: 108-2364 APPLICATION SPEC: 114-13120 SIZE: CAGE CODE DRAWING NO: A100779C=2007170 WEIGHT: - Customer Drawing	
MATERIAL:		FINISH: -	RESTRICTED TO: -
		SCALE: 1:1	SHEET 1 OF 3
			REV D

LOC		DIST		REVISIONS			
P	LTN	DESCRIPTION	DATE	DMN	APVD		
-	-	SEE SHEET 1	-	-	-		



2007170-1
MOUNTED ON PC BOARD
SHOWN THRU RECOMMENDED BEZEL



2007170-3
MOUNTED ON PC BOARD
SHOWN THRU RECOMMENDED BEZEL
SCALE 4:1

THIS DRAWING IS A CONTROLLED DOCUMENT.		DMN Z. M. BEAM 17JUL2007	TE Connectivity	
DIMENSIONS: mm		CHK M. B. SCHMITT 17JUL2007		
TOLERANCES UNLESS OTHERWISE SPECIFIED:		APVD B. H. WERTZ 17JUL2007	NAME SFP+ 1X6 CAGE ASSEMBLY PRESS FIT, EMI GASKET	
0 PLC ±0.1 1 PLC ±0.1 2 PLC ±0.1 3 PLC ±0.1 4 PLC ±0.1 ANGLES ±1°		PRODUCT SPEC 108-2364	SIZE A100779C=2007170	
MATERIAL		APPLICATION SPEC 114-13120	RESTRICTED TO	
FINISH		WEIGHT	SCALE 1:1 SHEET 2 OF 3 REV D	
		Customer Drawing		

