



Chipsmall Limited consists of a professional team with an average of over 10 year of expertise in the distribution of electronic components. Based in Hongkong, we have already established firm and mutual-benefit business relationships with customers from,Europe,America and south Asia,supplying obsolete and hard-to-find components to meet their specific needs.

With the principle of “Quality Parts,Customers Priority,Honest Operation,and Considerate Service”,our business mainly focus on the distribution of electronic components. Line cards we deal with include Microchip,ALPS,ROHM,Xilinx,Pulse,ON,Everlight and Freescale. Main products comprise IC,Modules,Potentiometer,IC Socket,Relay,Connector.Our parts cover such applications as commercial,industrial, and automotives areas.

We are looking forward to setting up business relationship with you and hope to provide you with the best service and solution. Let us make a better world for our industry!



Contact us

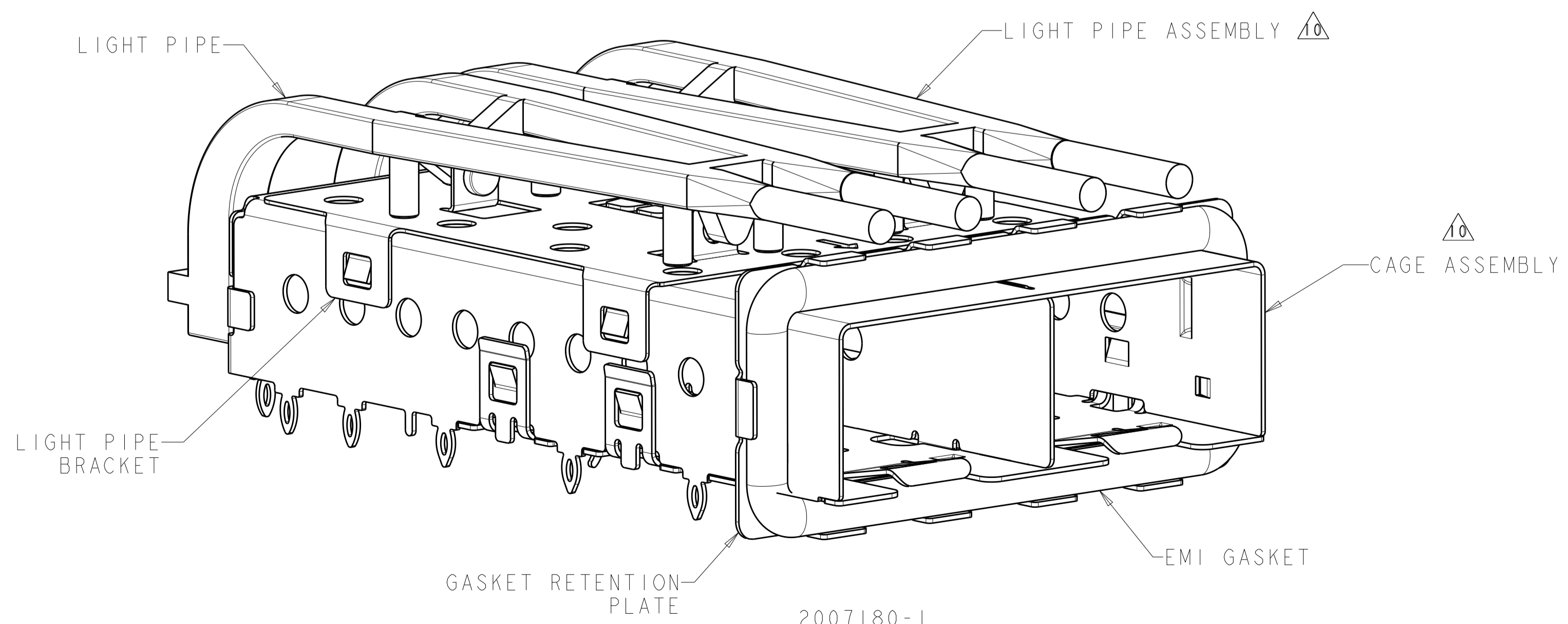
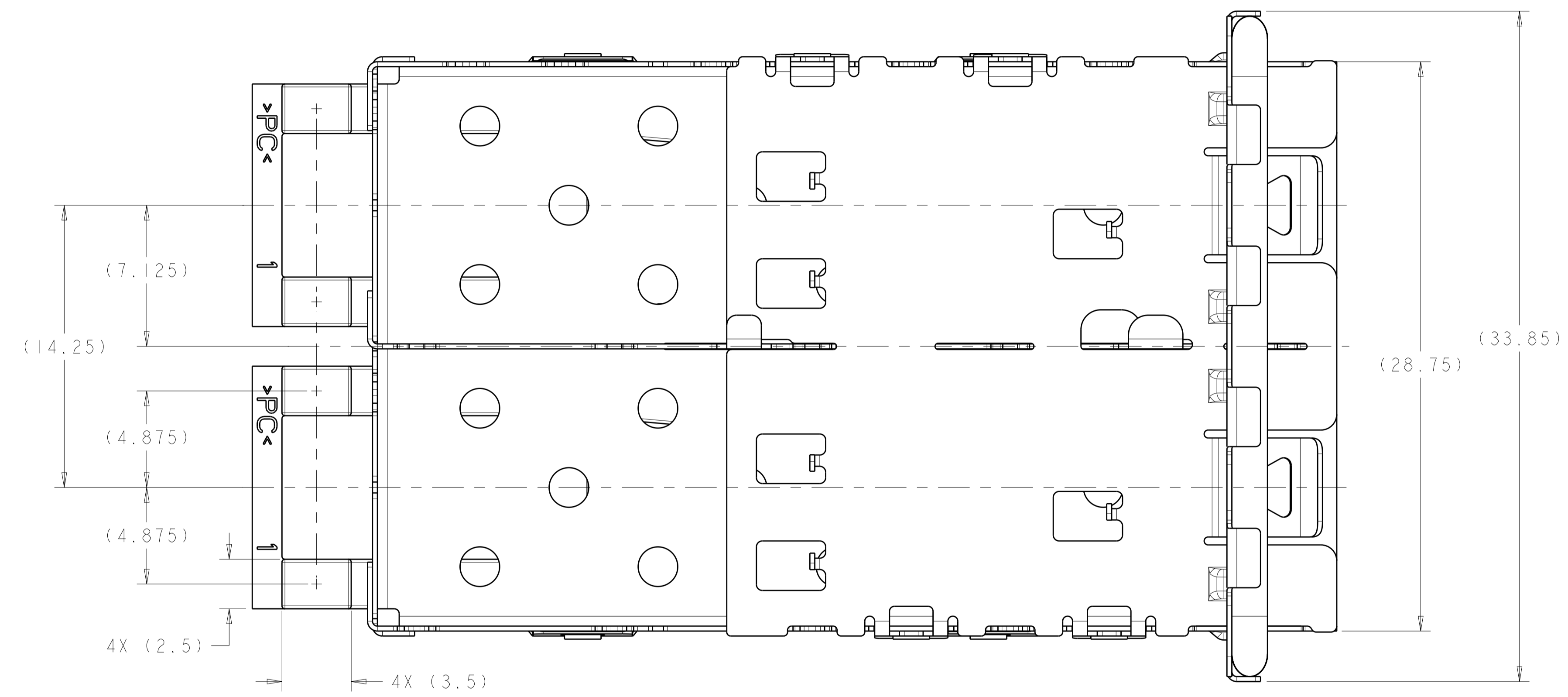
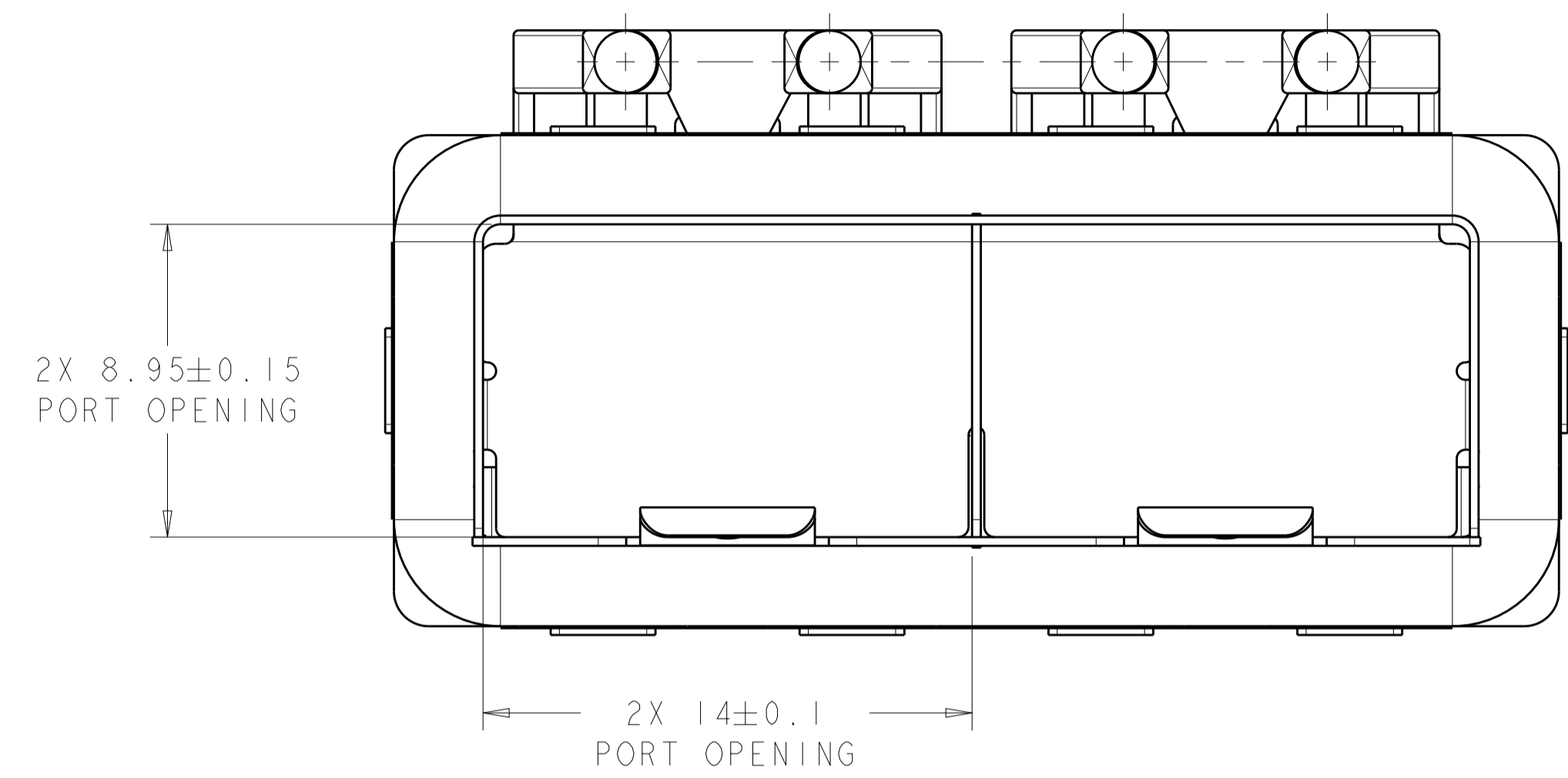
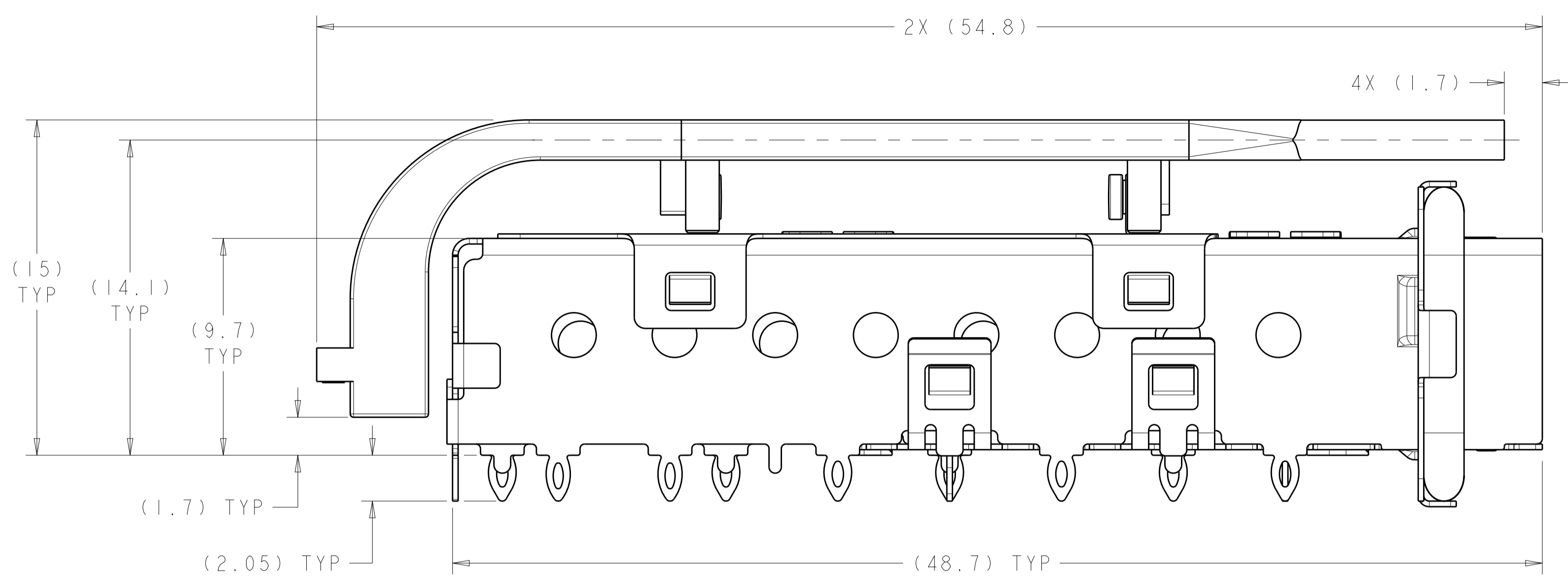
Tel: +86-755-8981 8866 Fax: +86-755-8427 6832

Email & Skype: info@chipsmall.com Web: www.chipsmall.com

Address: A1208, Overseas Decoration Building, #122 Zhenhua RD., Futian, Shenzhen, China



LOC	DIST	REVISIONS			
P	LTN	DESCRIPTION	DATE	DWN	APVD
C1		REVISED PER ECO-11-004835	11MAR2011	RK	HMR
D		REVISED PER ECO-12-014021	07DEC2012	TD	AC



2007180-1
SCALE 5:1

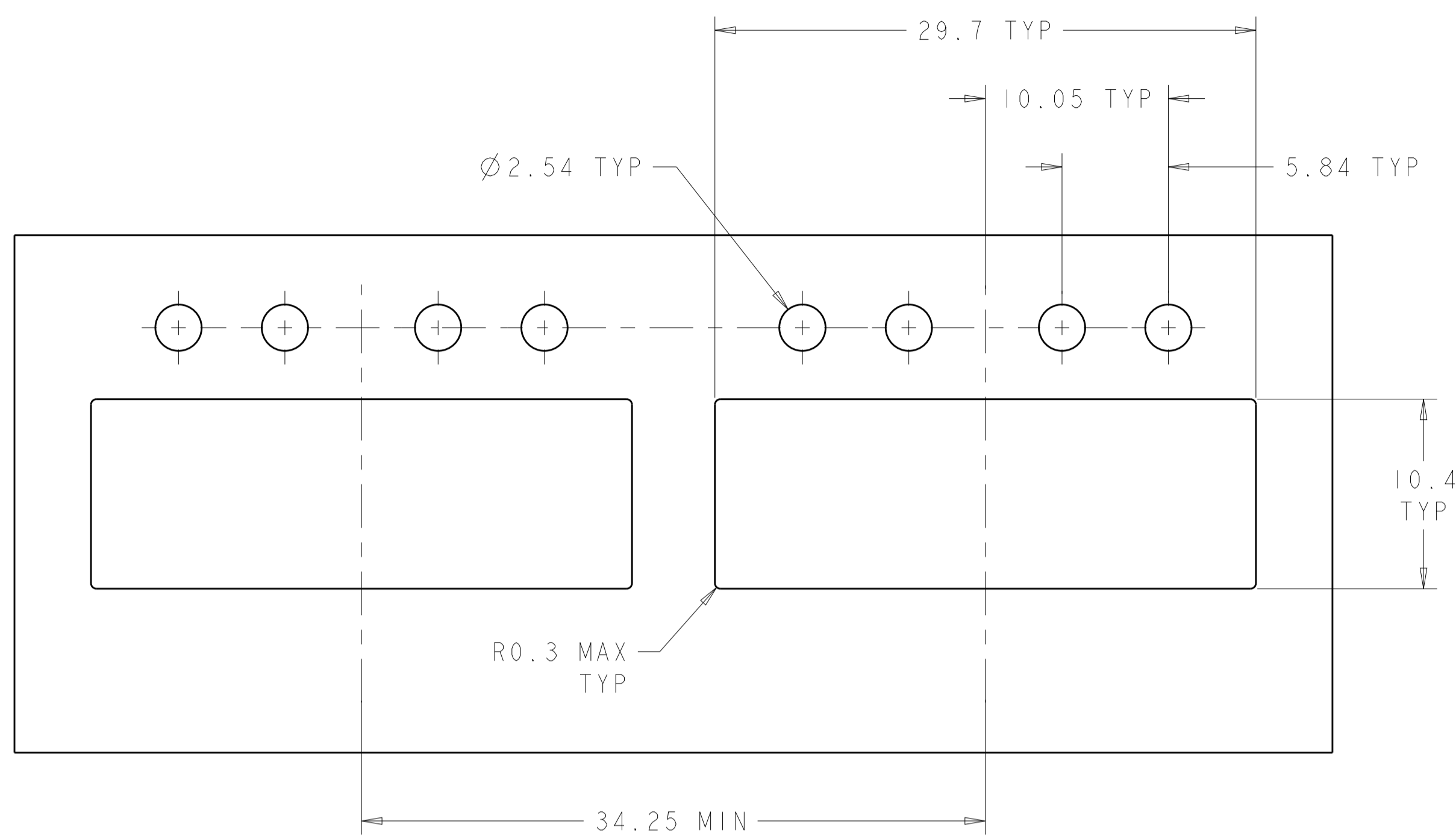
- △ MATERIAL:
 CAGE ASSEMBLY - 0.25mm THICK NICKEL SILVER ALLOY
 GASKET RETENTION PLATE - STAINLESS STEEL
 EMI GASKET - PLATED FILLED SILICONE
 LIGHT PIPE BRACKET - STAINLESS STEEL
 LIGHT PIPE - POLYCARBONATE, CLEAR
- △ DATUM AND BASIC DIMENSION ESTABLISHED BY CUSTOMER.
- 3. MATES WITH SFP MSA COMPLIANT TRANSCEIVERS.
- △ PADS AND VIAS CHASSIS GROUND.
- 5. INTERPRETATION OF DATUM REFERENCE FRAME IN ACCORDANCE WITH SECT 4.4.1.1 OF ASME Y14.5M-1994.
- △ MINIMUM PC BOARD THICKNESS = 1.50mm.
- △ HOLE PATTERN REPEATS FOR EACH PORT. SPACING BETWEEN PORTS IS 14.25mm.
- △ REFERENCE APPLICATION SPEC. 114-13120, HOLE A, FOR RECOMMENDED DRILL HOLE DIAMETER AND PLATING THICKNESS.
- △ REFERENCE APPLICATION SPEC. 114-13120, HOLE B, FOR RECOMMENDED DRILL HOLE DIAMETER AND PLATING THICKNESS.
- △ LIGHT PIPE ASSEMBLY SHIPPED UNASSEMBLED TO CAGE ASSEMBLY. CAGE ASSEMBLY TO BE PRESSED INTO THE PCB PRIOR TO ATTACHING THE LIGHT PIPE ASSEMBLY TO THE CAGE.
- 11. PRODUCT COMPLIES WITH SPECIFICATION SFF-8433 IMPROVED PLUGGABLE FORM FACTOR FOR SFP+ GANGED CAGES.

2007180-1
PART NUMBER

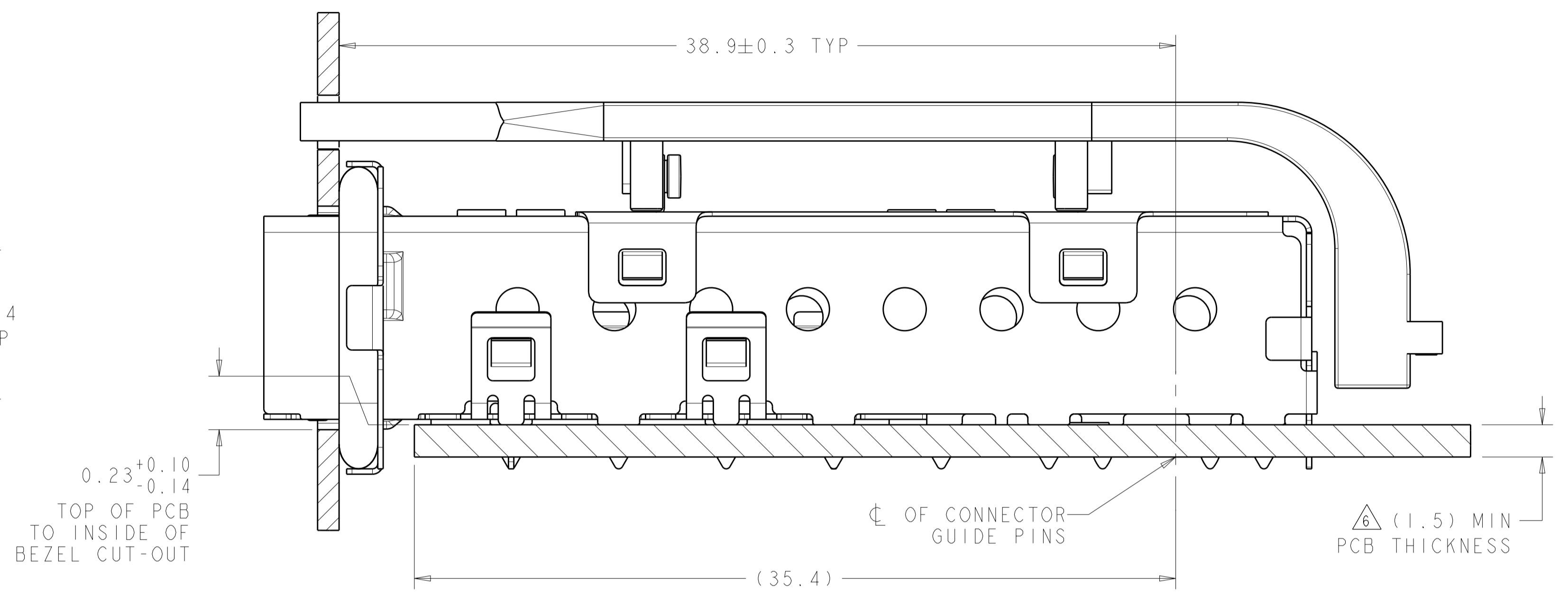
THIS DRAWING IS A CONTROLLED DOCUMENT.		DWN: M.E. COWHER 14JUN2007	TE Connectivity	
DIMENSIONS: mm		CHK: M.J. PHILLIPS 14JUN2007		
TOLERANCES UNLESS OTHERWISE SPECIFIED:		APVD: M.J. PHILLIPS 14JUN2007		
0 PLC	±0.1	PRODUCT SPEC	SFP+ 1X2 CAGE ASSEMBLY	
1 PLC	±0.1	108-2364	PRESS FIT, EMI GASKET	
2 PLC	±0.1	APPLICATION SPEC	WITH LIGHT PIPES	
3 PLC	±0.1	114-13120	SIZE	CAGE CODE DRAWING NO
4 PLC	±0.1	FINISH	A1	00779C=2007180
ANGLES	±0.1	WEIGHT	RESTRICTED TO	
MATERIAL		Customer Drawing	SCALE	6:1
FINISH		SHEET		1 OF 3
REV		REV		D

LOC	DIST	REV	DATE	BY	APPV
GP	00				

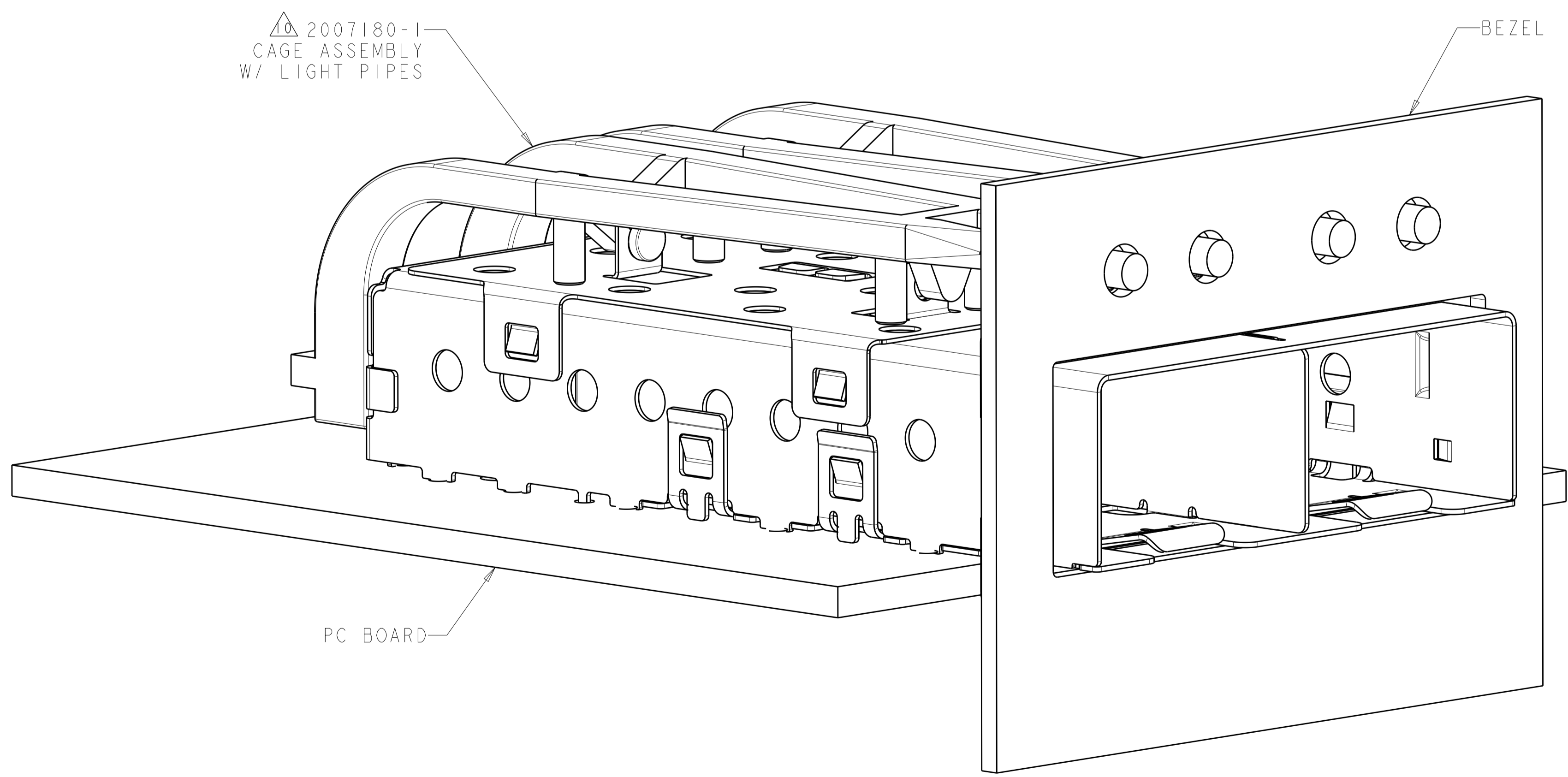
REVISIONS					
REV	DATE	BY	APPV	DESCRIPTION	
-	-	-	-	SEE SHEET 1	



RECOMMENDED BEZEL CUTOUT
 SCALE 4:1



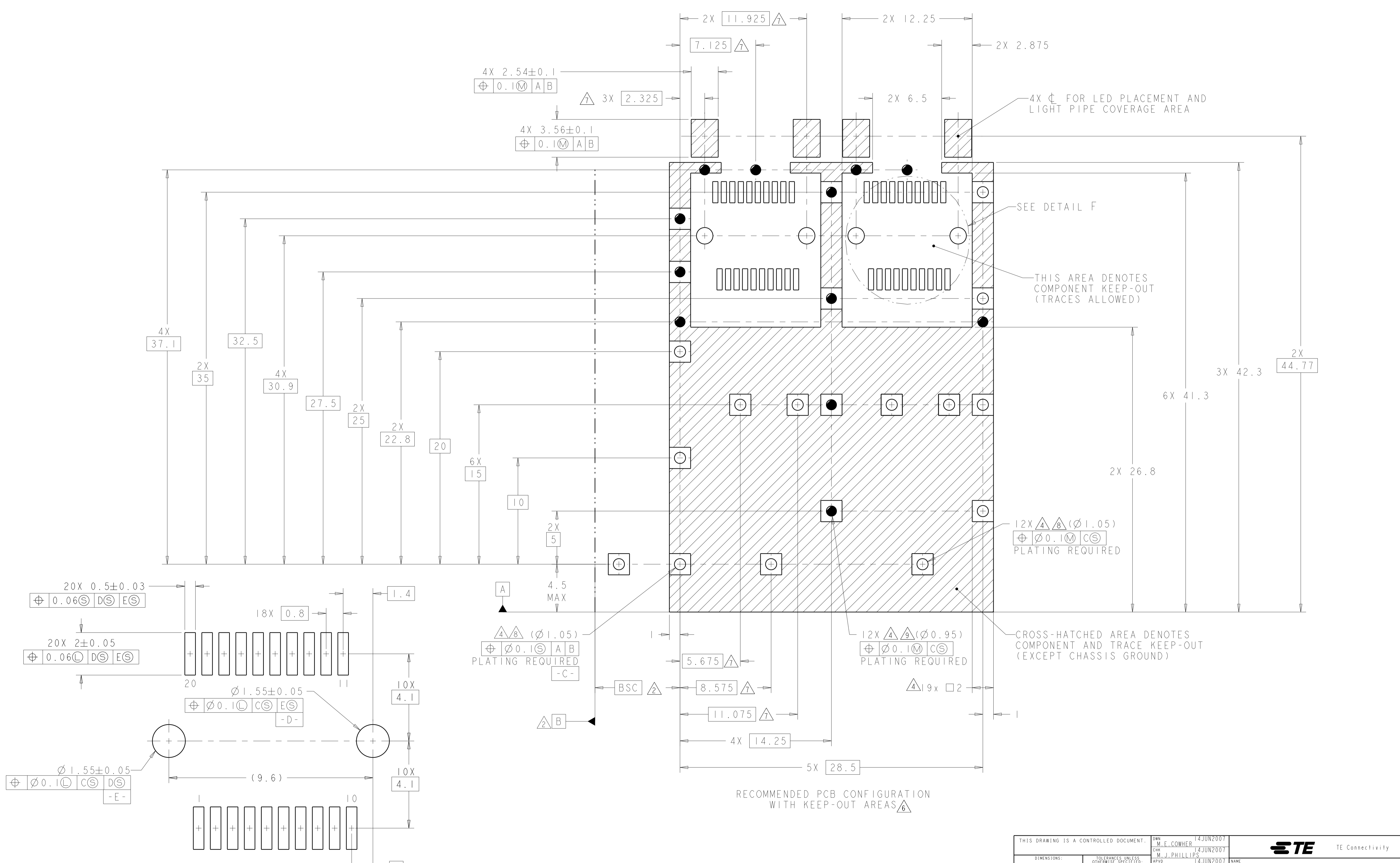
2007180-1
 MOUNTED ON PCB SHOWN
 THRU RECOMMENDED BEZEL



2007180-1
 MOUNTED ON PCB
 SHOWN THRU RECOMMENDED BEZEL

THIS DRAWING IS A CONTROLLED DOCUMENT.		OWN: M.E. COWHER 14JUN2007	TE Connectivity NAME: SFP+ 1X2 CAGE ASSEMBLY PRESS FIT, EMI GASKET WITH LIGHT PIPES SIZE: CAGE CODE DRAWING NO A100779C=2007180 RESTRICTED TO: -
DIMENSIONS: mm		CHK: M.J. PHILLIPS 14JUN2007	
TOLERANCES UNLESS OTHERWISE SPECIFIED:		APPV: M.J. PHILLIPS 14JUN2007	
0 PLC ±0.1 1 PLC ±0.1 2 PLC ±0.1 3 PLC ±0.1 4 PLC ±0.1 ANGLES ±1°		PRODUCT SPEC: 108-2364 APPLICATION SPEC: 114-13120 WEIGHT: - Customer Drawing	
MATERIAL: -		FINISH: -	SCALE: 6:1 SHEET: 2 OF 3 REV: D

LOC	DIST	REVISIONS			
GP	00	REV	DATE	BY	APPV
-	-	SEE SHEET 1	-	-	-



DETAIL F
 RECOMMENDED PT CONNECTOR LAYOUT
 2X INDIVIDUALLY
 SCALE 12:1

THIS DRAWING IS A CONTROLLED DOCUMENT.		OWN: M.E. COWHER 14JUN2007	TE Connectivity NAME: SFP+ 1X2 CAGE ASSEMBLY PRESS FIT, EMI GASKET WITH LIGHT PIPES SIZE: CAGE CODE DRAWING NO: A100779C=2007180 RESTRICTED TO:
DIMENSIONS: mm		CHK: M.J. PHILLIPS 14JUN2007	
TOLERANCES UNLESS OTHERWISE SPECIFIED:		APV: M.J. PHILLIPS 14JUN2007	
0 PLC ±0.1 1 PLC ±0.1 2 PLC ±0.1 3 PLC ±0.1 4 PLC ±0.1 ANGLES ±1°		PRODUCT SPEC: 108-2364 APPLICATION SPEC: 114-13120 WEIGHT: - Customer Drawing	
MATERIAL: -		SCALE: 1:1	SHEET: 3 OF 3