



Chipsmall Limited consists of a professional team with an average of over 10 year of expertise in the distribution of electronic components. Based in Hongkong, we have already established firm and mutual-benefit business relationships with customers from,Europe,America and south Asia,supplying obsolete and hard-to-find components to meet their specific needs.

With the principle of “Quality Parts,Customers Priority,Honest Operation,and Considerate Service”,our business mainly focus on the distribution of electronic components. Line cards we deal with include Microchip,ALPS,ROHM,Xilinx,Pulse,ON,Everlight and Freescale. Main products comprise IC,Modules,Potentiometer,IC Socket,Relay,Connector.Our parts cover such applications as commercial,industrial, and automotives areas.

We are looking forward to setting up business relationship with you and hope to provide you with the best service and solution. Let us make a better world for our industry!



Contact us

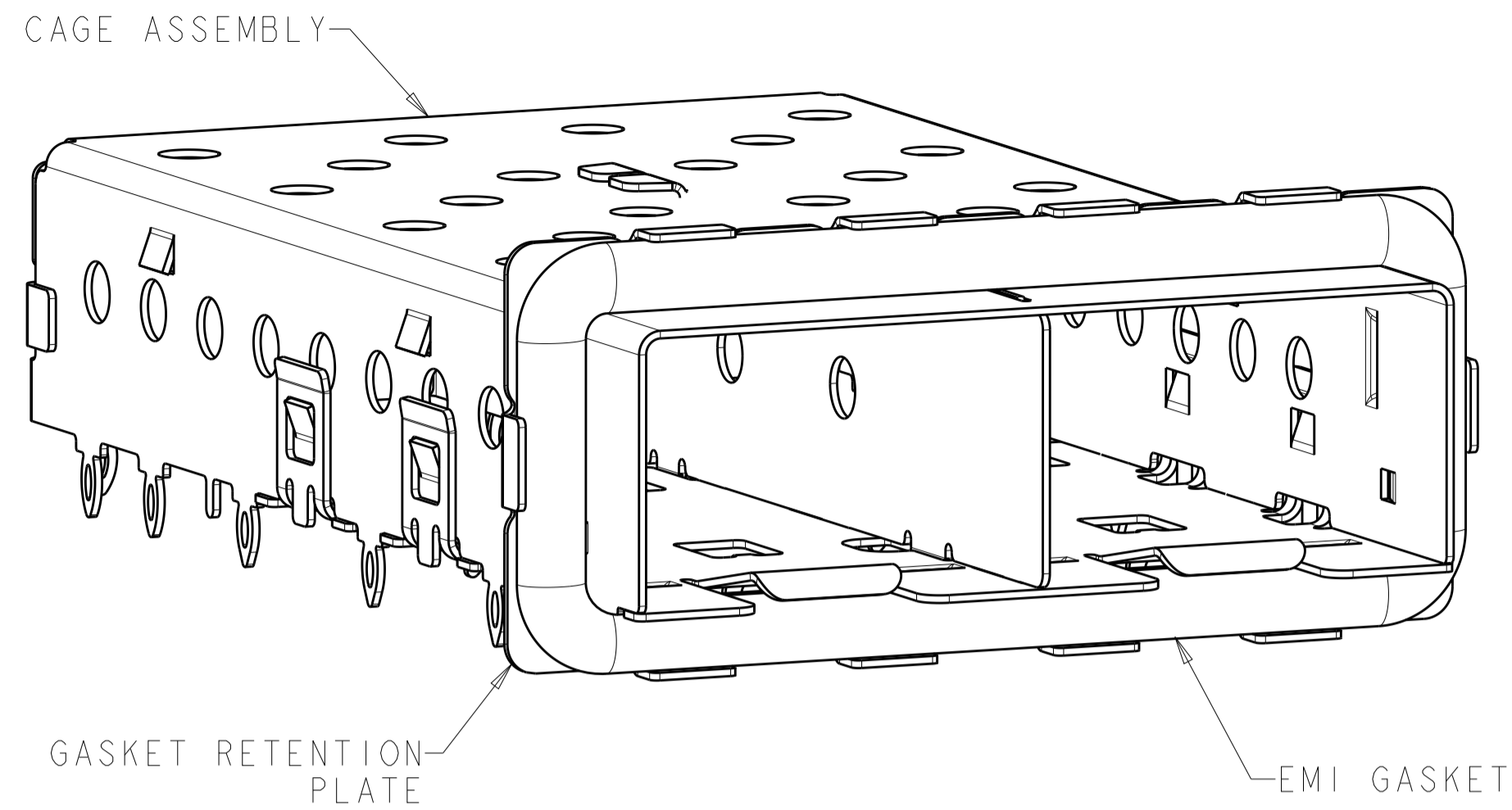
Tel: +86-755-8981 8866 Fax: +86-755-8427 6832

Email & Skype: info@chipsmall.com Web: www.chipsmall.com

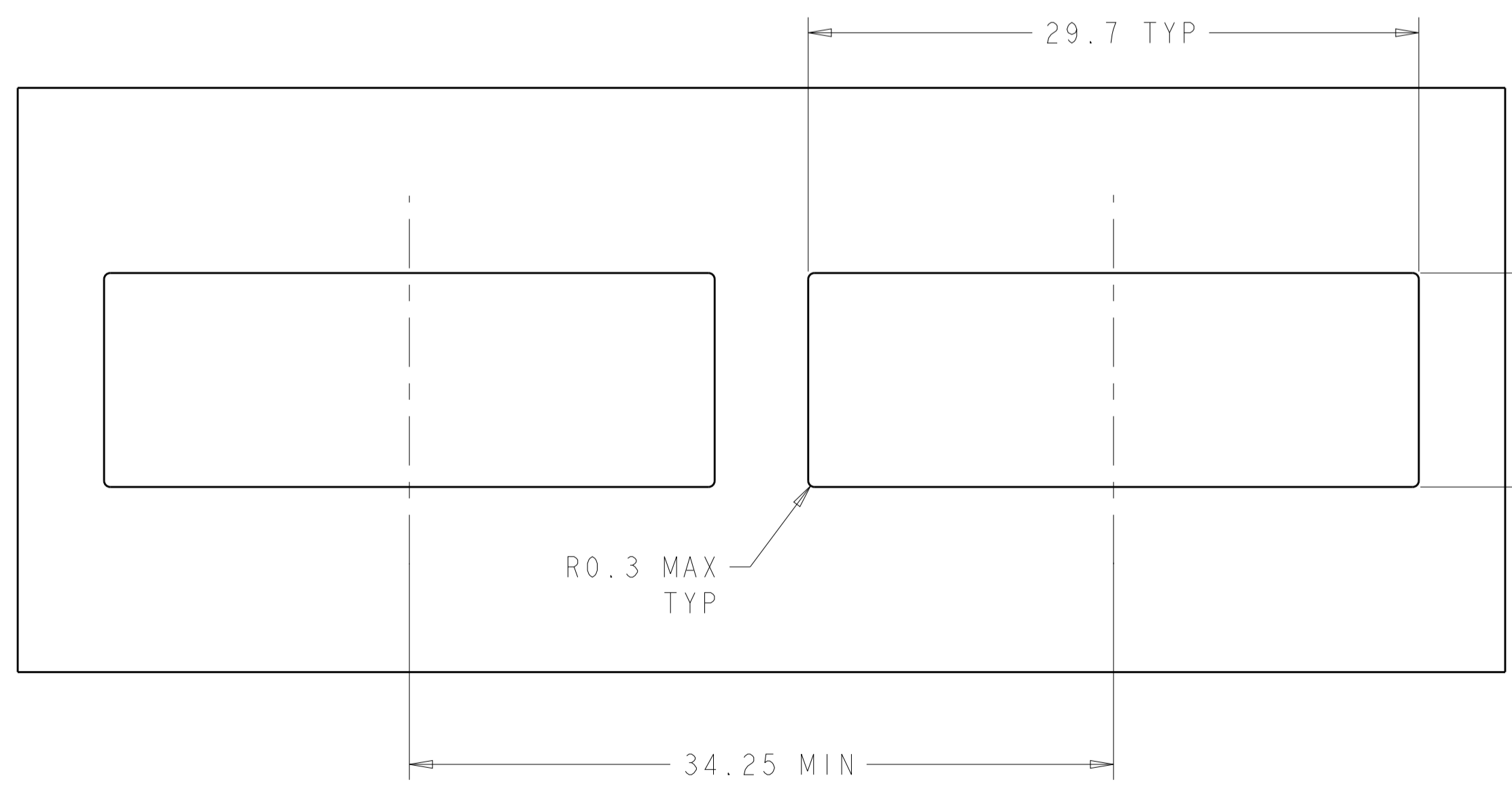
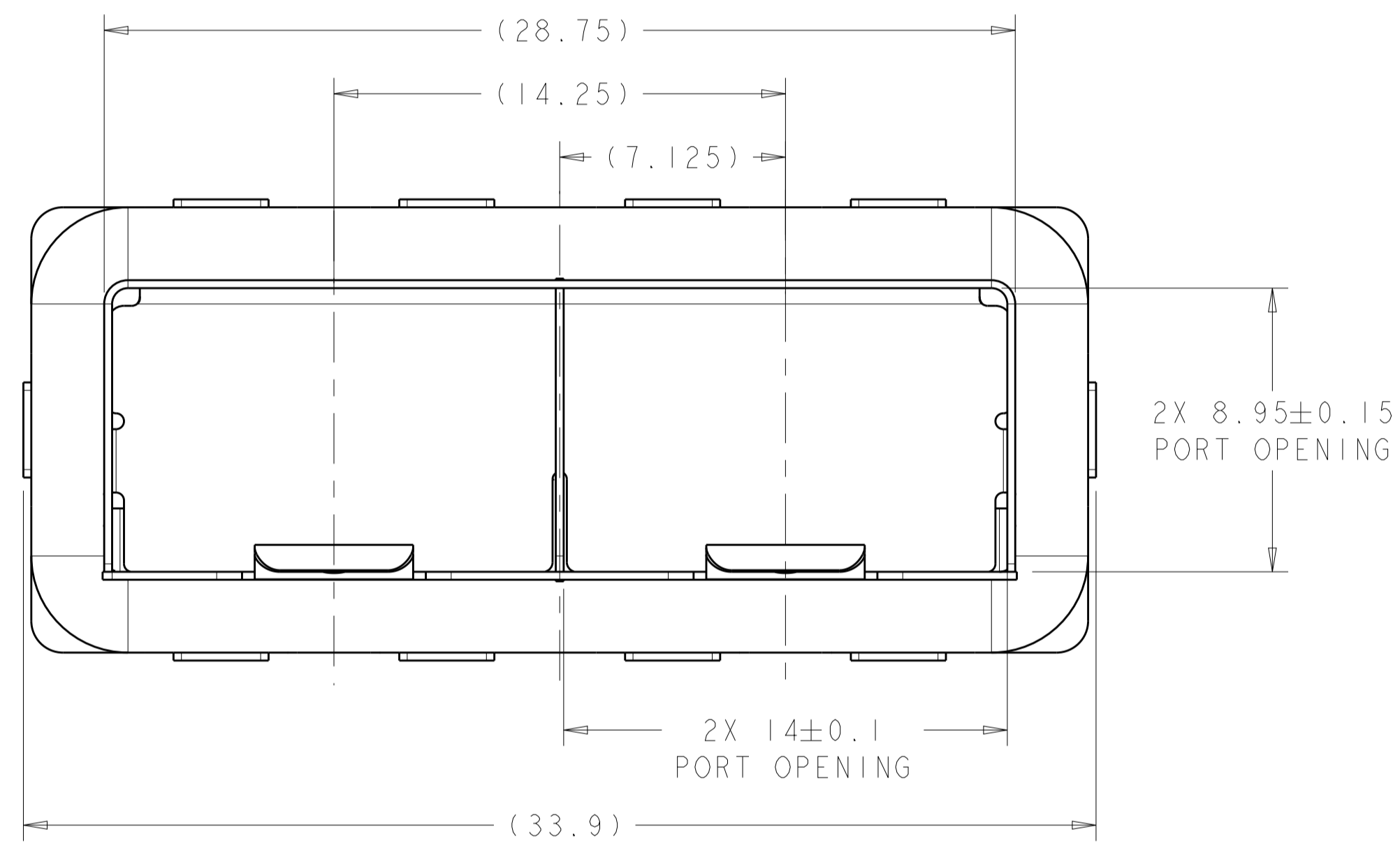
Address: A1208, Overseas Decoration Building, #122 Zhenhua RD., Futian, Shenzhen, China



LOC	DIST	REVISIONS			
P	LTN	DESCRIPTION	DATE	DWN	APVD
GP	00				
	D1	REVISED PER ECO-11-004835	11MAR2011	RK	HMR
	E	REVISED PER ECO-12-014021	10DEC2012	TD	AC

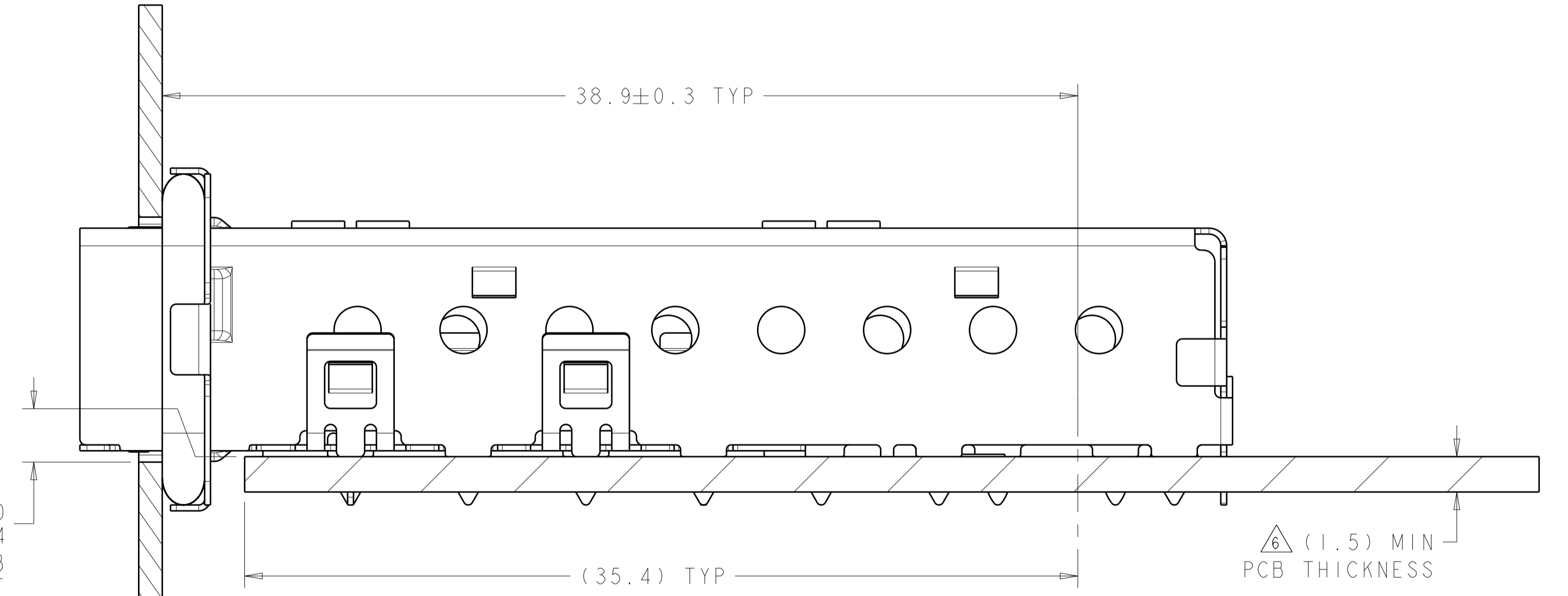
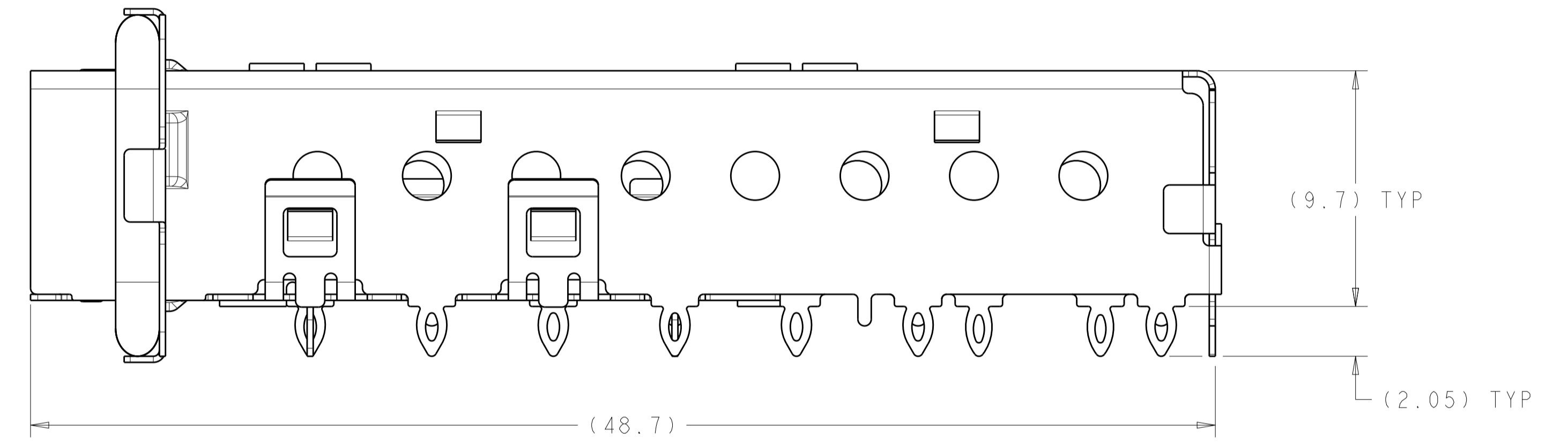


2007181-1
SCALE 5:1



RECOMMENDED BEZEL CUT-OUT
SCALE 4:1

- 1 MATERIAL:
 CAGE ASSEMBLY - 0.25mm THICK NICKEL SILVER ALLOY
 GASKET RETENTION PLATE - STAINLESS STEEL
 EMI GASKET - PLATED FILLED SILICONE
- 2 DATUM AND BASIC DIMENSION ESTABLISHED BY CUSTOMER.
3. MATES WITH SFP MSA COMPLIANT TRANSCEIVERS.
- 4 PADS AND VIAS CHASSIS GROUND.
5. INTERPRETATION OF DATUM REFERENCE FRAME IN ACCORDANCE WITH SECT 4.4.1.1 OF ASME Y14.5M-1994.
- 6 MINIMUM PC BOARD THICKNESS = 1.50mm.
- 7 HOLE PATTERN REPEATS FOR EACH PORT, SPACING BETWEEN PORTS IS 14.25mm.
- 8 REFERENCE APPLICATION SPEC. 114-13120, HOLE A, FOR RECOMMENDED DRILL HOLE DIAMETER AND PLATING THICKNESS.
- 9 REFERENCE APPLICATION SPEC. 114-13120, HOLE B, FOR RECOMMENDED DRILL HOLE DIAMETER AND PLATING THICKNESS.
10. PRODUCT COMPLIES WITH SPECIFICATION SFF-8433 IMPROVED PLUGGABLE FORM FACTOR FOR SFP+ GANGED CAGES.



2007181-1
MOUNTED ON PC BOARD
SHOWN THRU RECOMMENDED BEZEL

2007181-1
PART NUMBER

THIS DRAWING IS A CONTROLLED DOCUMENT.		DWN M. SCHMITT	17JUL2007	TE Connectivity
DIMENSIONS:		CHK M. SCHMITT	17JUL2007	
TOLERANCES UNLESS OTHERWISE SPECIFIED:		APVD B. WERTZ	17JUL2007	
mm		NAME		
0 PLC	±0.1	PRODUCT SPEC		
1 PLC	±0.1	108-2364		
2 PLC	±0.1	APPLICATION SPEC		
3 PLC	±0.1	114-13120		
4 PLC	±0.1	WEIGHT		
ANGLES	±1°	A100779C=2007181		
MATERIAL	FINISH	Customer Drawing		
		SCALE 6:1 SHEET 1 OF 2 REV E		

