



Chipsmall Limited consists of a professional team with an average of over 10 year of expertise in the distribution of electronic components. Based in Hongkong, we have already established firm and mutual-benefit business relationships with customers from,Europe,America and south Asia,supplying obsolete and hard-to-find components to meet their specific needs.

With the principle of "Quality Parts,Customers Priority,Honest Operation,and Considerate Service",our business mainly focus on the distribution of electronic components. Line cards we deal with include Microchip,ALPS,ROHM,Xilinx,Pulse,ON,Everlight and Freescale. Main products comprise IC,Modules,Potentiometer,IC Socket,Relay,Connector.Our parts cover such applications as commercial,industrial, and automotives areas.

We are looking forward to setting up business relationship with you and hope to provide you with the best service and solution. Let us make a better world for our industry!



## Contact us

Tel: +86-755-8981 8866 Fax: +86-755-8427 6832

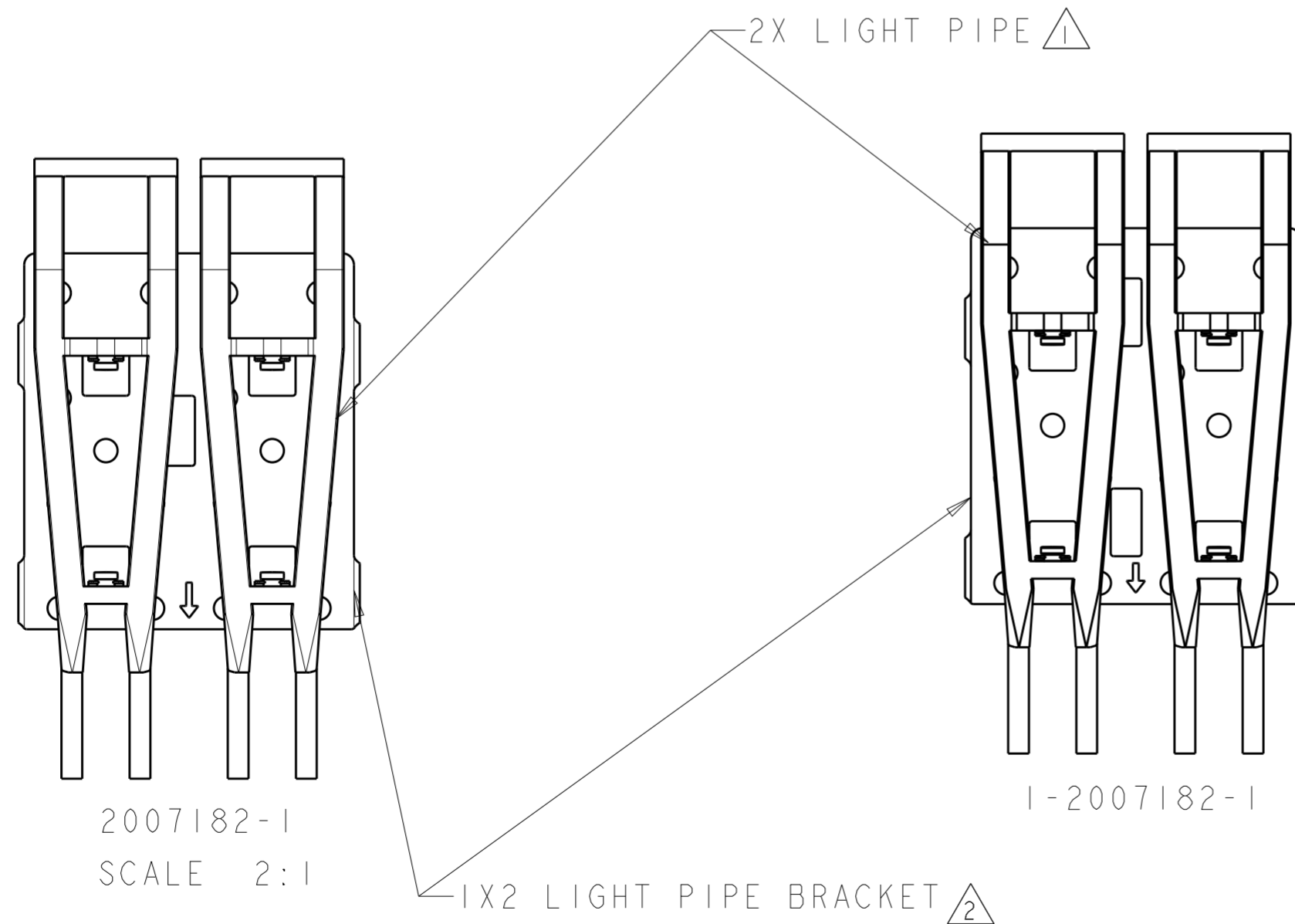
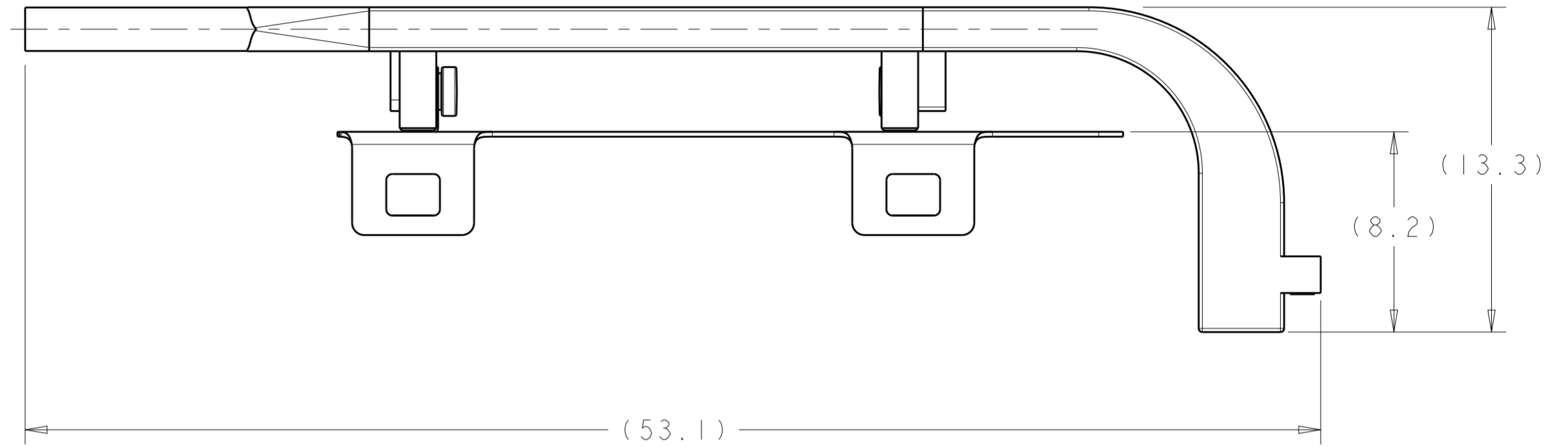
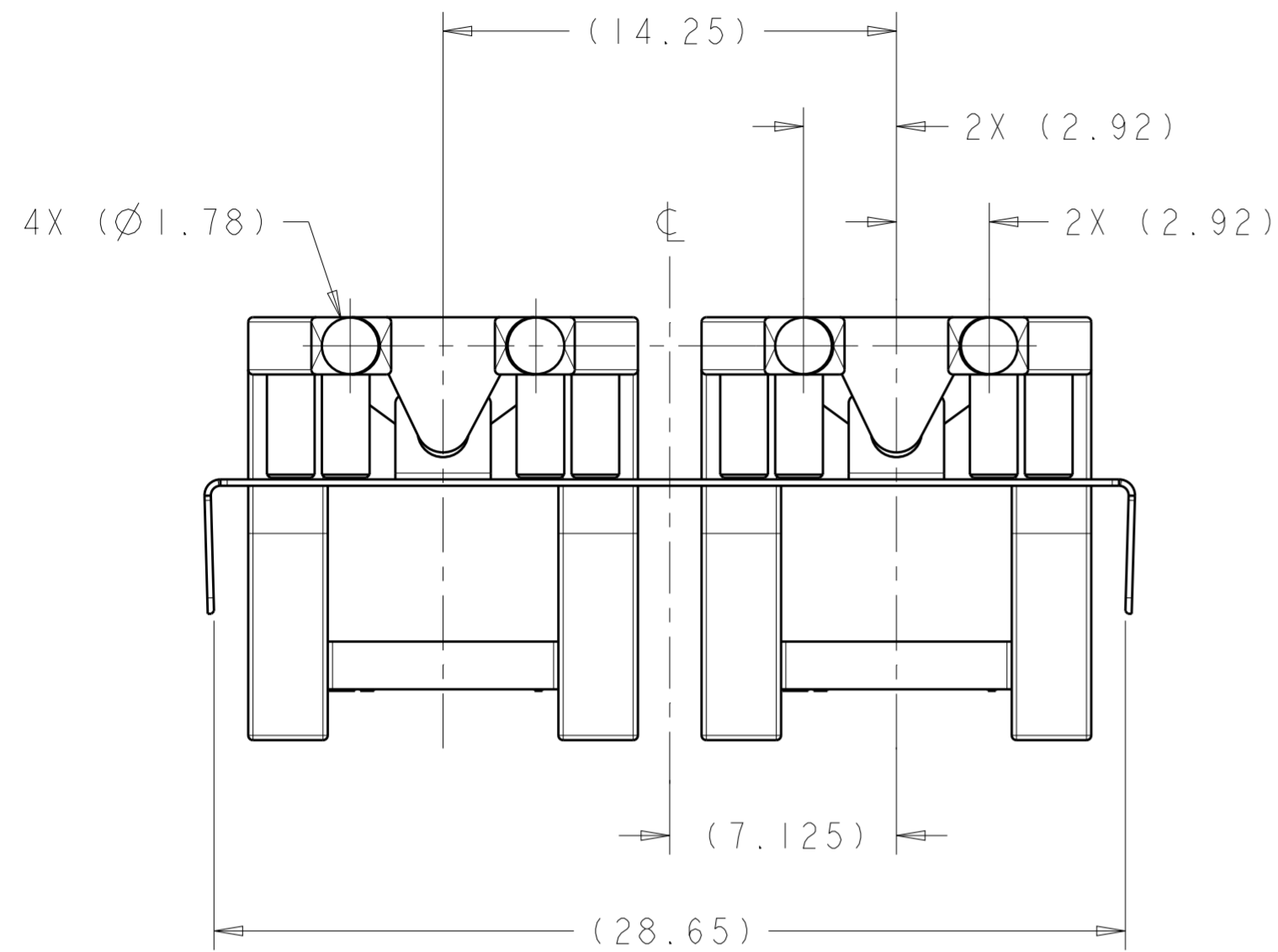
Email & Skype: info@chipsmall.com Web: www.chipsmall.com

Address: A1208, Overseas Decoration Building, #122 Zhenhua RD., Futian, Shenzhen, China



THIS DRAWING IS UNPUBLISHED. RELEASED FOR PUBLICATION 20  
 © COPYRIGHT 20 BY - ALL RIGHTS RESERVED.

REVISIONS					
P	LTR	DESCRIPTION	DATE	DWN	APVD
A1		REVISED PER ECO-14-004940	29MAR2014	PP	SH
A2		ADD DASH NUMBER FOR zSFP+			



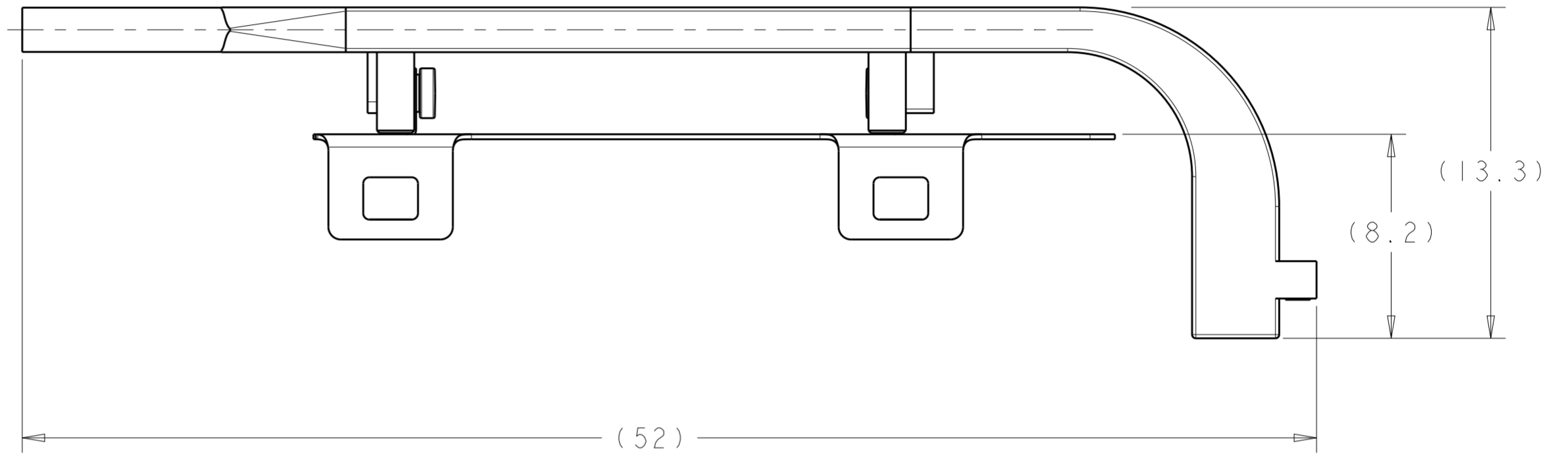
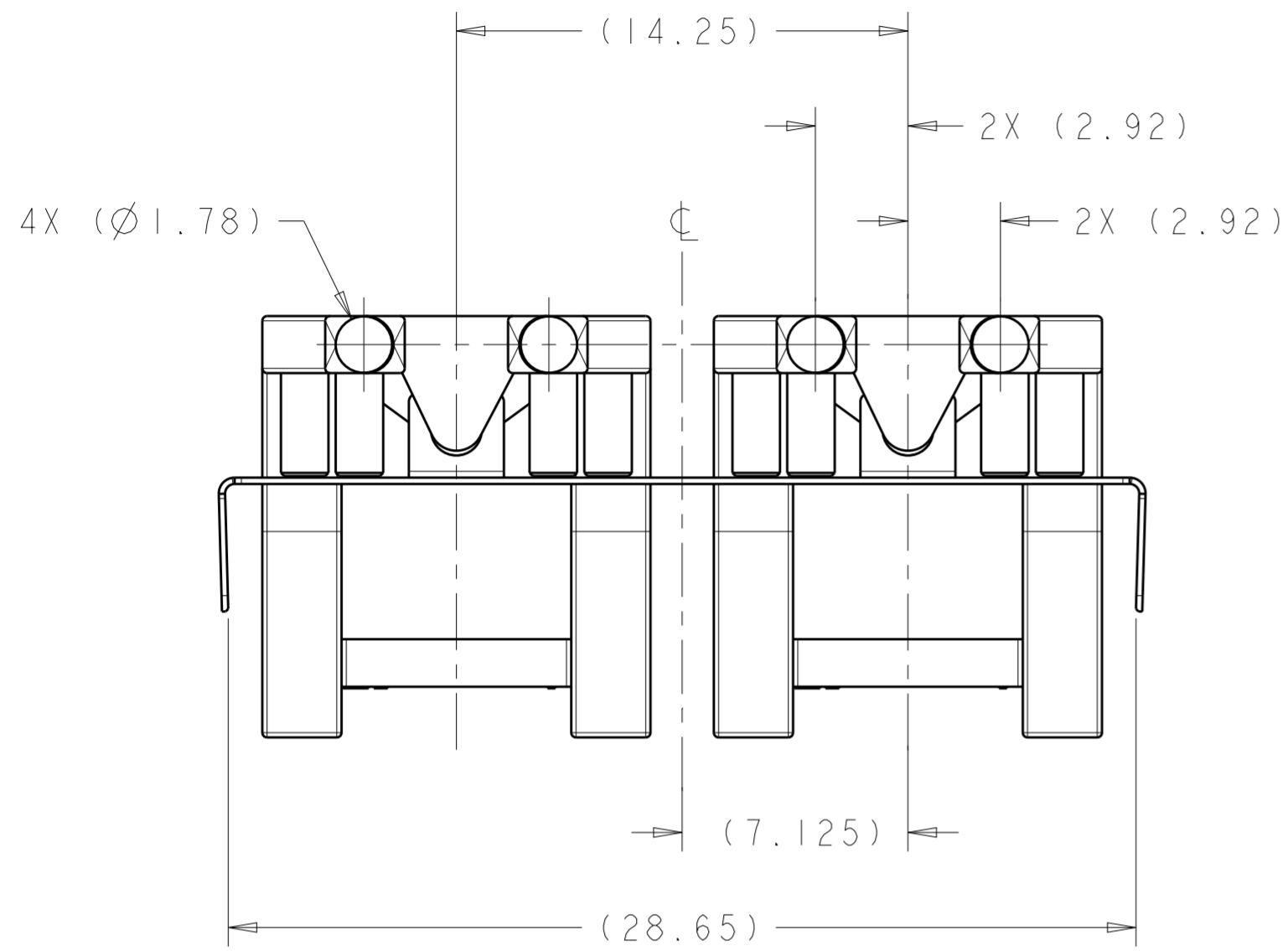
- $\triangle 1$  POLYCARBONATE, CLEAR, UL 94V-2.
- $\triangle 2$  STAINLESS STEEL PER ASTM A 666

APPLIED TO zSFP+	1-2007182-1
APPLIED TO SFP+	2007182-1
REMARK	PART NUMBER

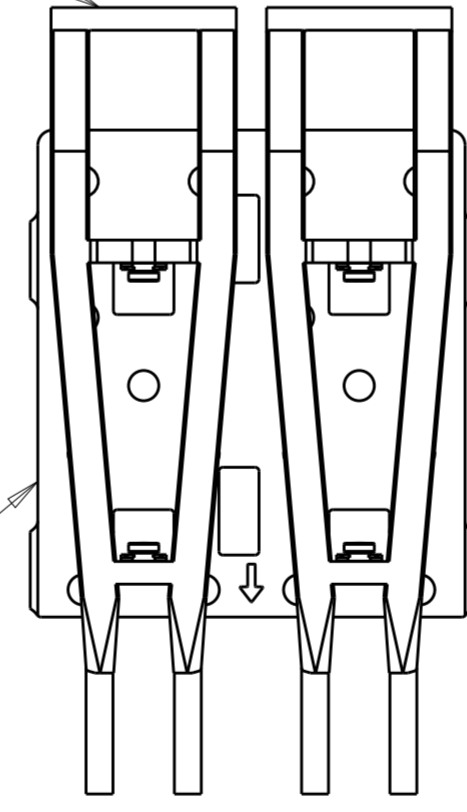
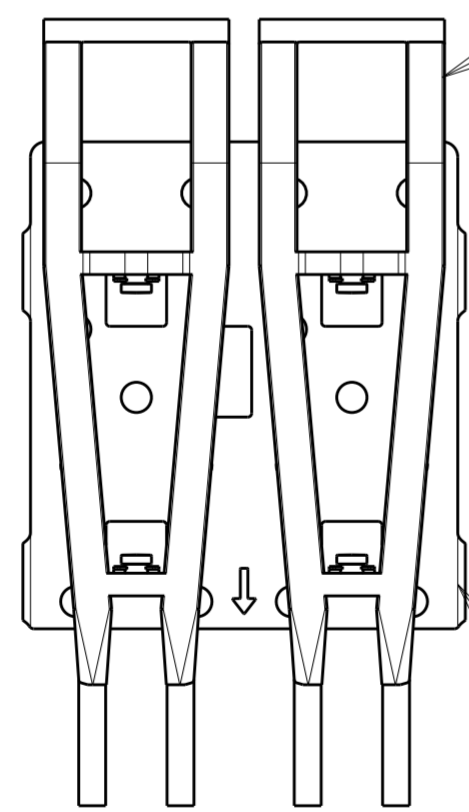
THIS DRAWING IS A CONTROLLED DOCUMENT.		DWN M.E.COWHER 14 JUN 2007	<b>STE</b> TE Connectivity	
DIMENSIONS: mm		CHK M.J.PHILLIPS 14 JUN 2007		
TOLERANCES UNLESS OTHERWISE SPECIFIED:		APVD M.J.PHILLIPS 14 JUN 2007	NAME 1X2 LIGHT PIPE ASSEMBLY, SFP+	
0 PLC ±		PRODUCT SPEC 108-2364	SIZE CAGE CODE DRAWING NO RESTRICTED TO	
1 PLC ±		APPLICATION SPEC	A200779 C-2007182	
2 PLC ±		WEIGHT	SCALE 5:1 SHEET 1 OF 5 REV A2	
3 PLC ±		Customer Drawing		
4 PLC ±				
ANGLES ±				
FINISH				

THIS DRAWING IS UNPUBLISHED. RELEASED FOR PUBLICATION 20  
 © COPYRIGHT 20 BY - ALL RIGHTS RESERVED.

REVISIONS				
P	LTR	DESCRIPTION	DATE	APVD
-		SEE SHEET 1	-	-



2X LIGHT PIPE



1X2 LIGHT PIPE BRACKET

APPLIED TO zSFP+	1-2007182-2
APPLIED TO SFP+	2007182-2
REMARK	PART NUMBER

THIS DRAWING IS A CONTROLLED DOCUMENT.

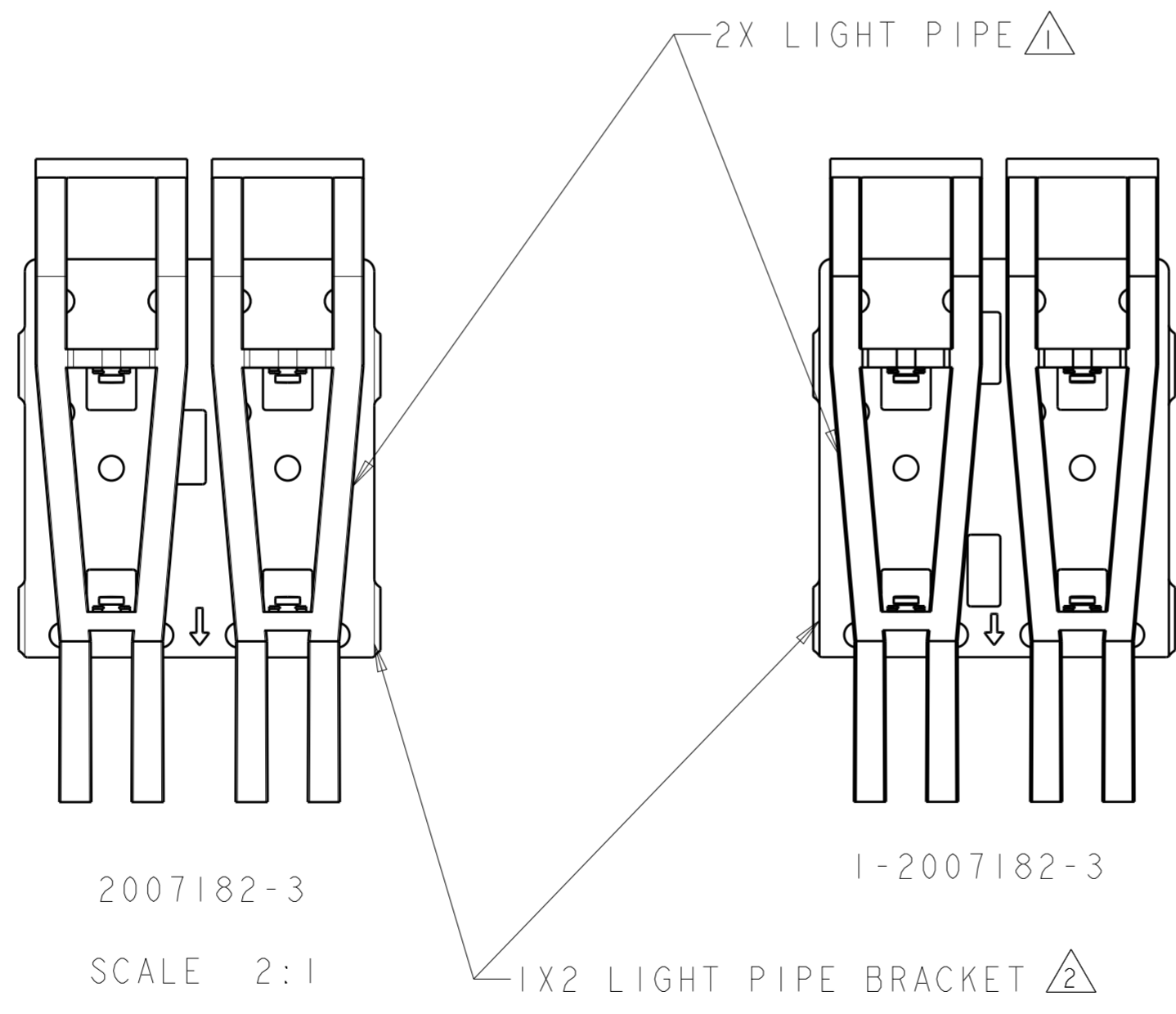
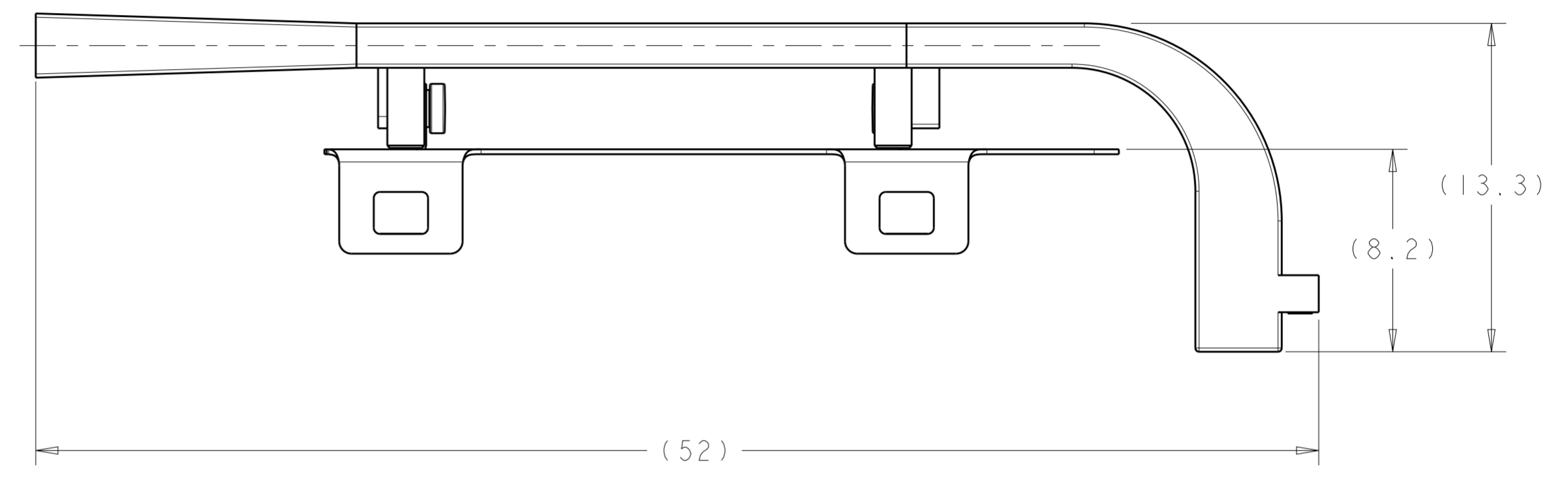
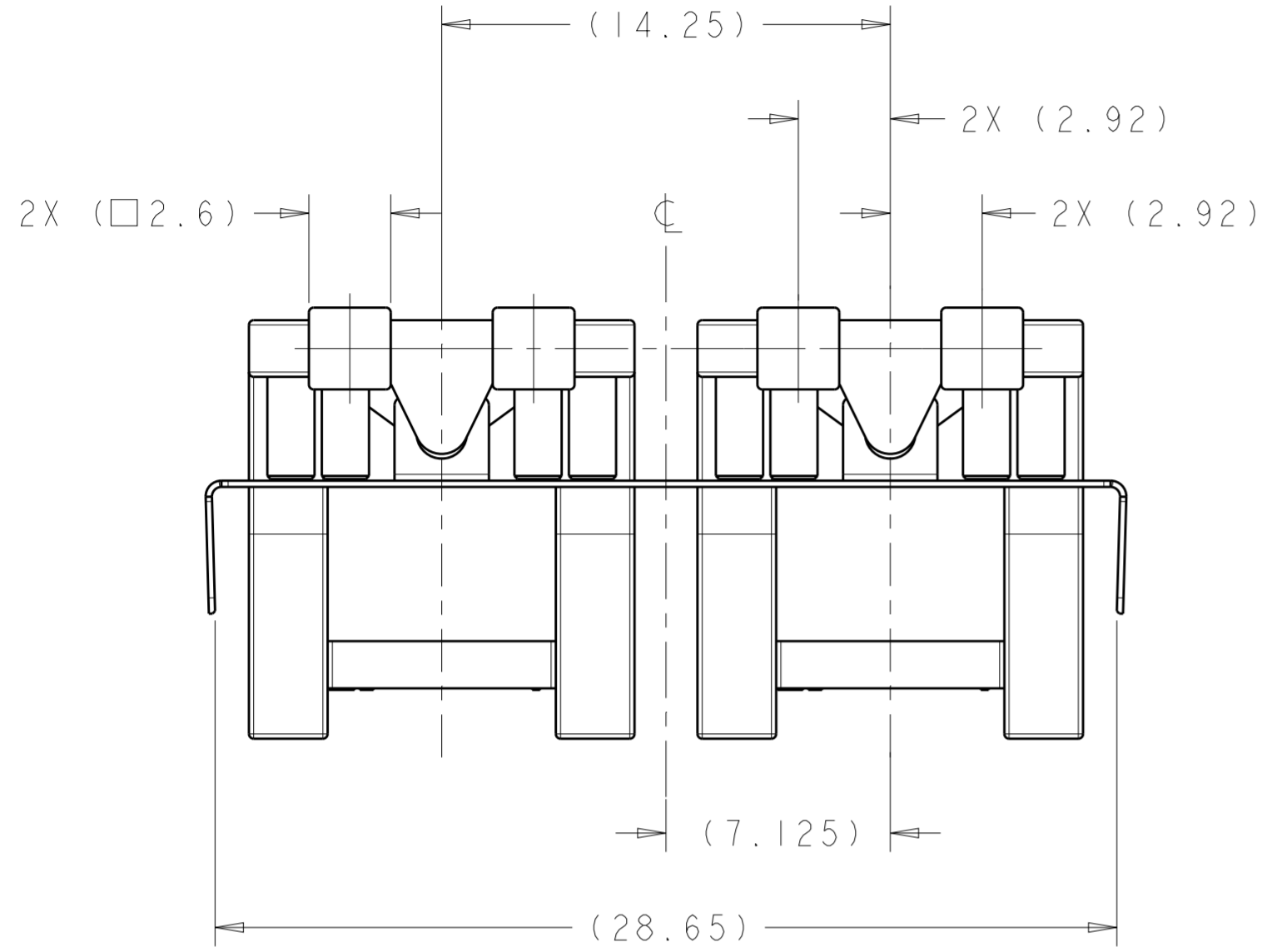
DIMENSIONS:	TOLERANCES UNLESS OTHERWISE SPECIFIED:
mm	0 PLC ±
	1 PLC ±
	2 PLC ±
	3 PLC ±
	4 PLC ±
	ANGLES ±
	FINISH -
	-

DWN	14 JUN 2007
CHK	M. E. COWHER
APVD	14 JUN 2007
	M. J. PHILLIPS
	M. J. PHILLIPS
PRODUCT SPEC	
APPLICATION SPEC	108-2364
WEIGHT	-
Customer Drawing	

<b>STE</b> TE Connectivity	
NAME	1X2 LIGHT PIPE ASSEMBLY, SFP+
SIZE	A200779
CAGE CODE	C-2007182
DRAWING NO	
RESTRICTED TO	-
SCALE	5:1
SHEET	2 OF 5
REV	A2

THIS DRAWING IS UNPUBLISHED. RELEASED FOR PUBLICATION 20  
 © COPYRIGHT 20 BY - ALL RIGHTS RESERVED.

REVISIONS				
P	LTR	DESCRIPTION	DATE	APVD
-		SEE SHEET 1	-	-



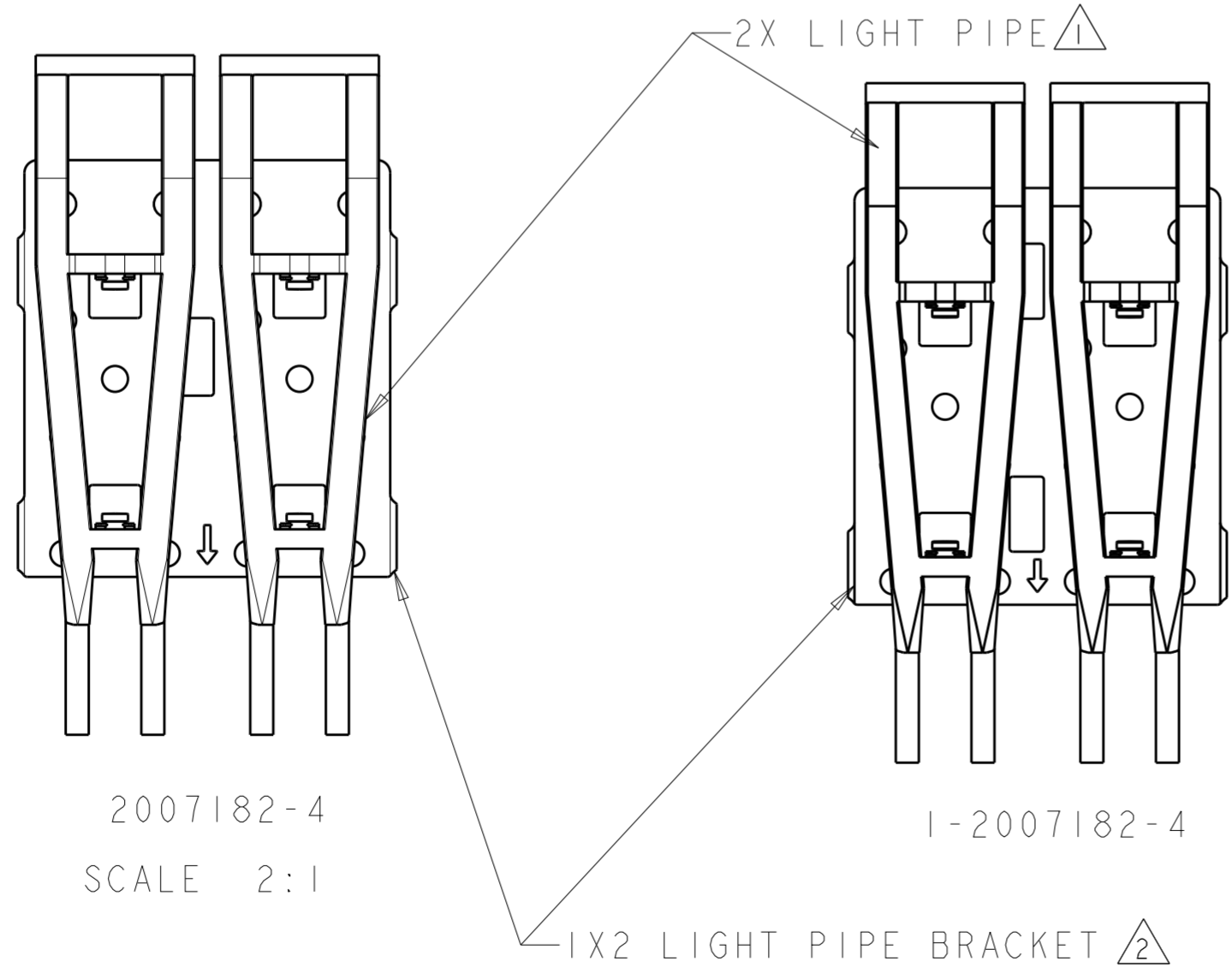
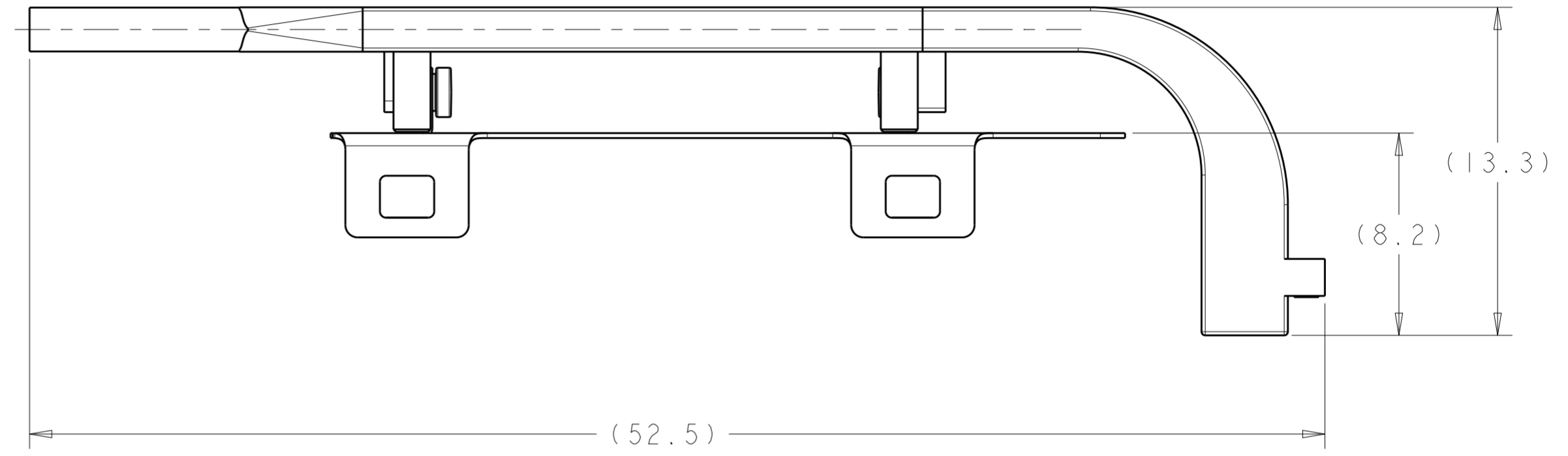
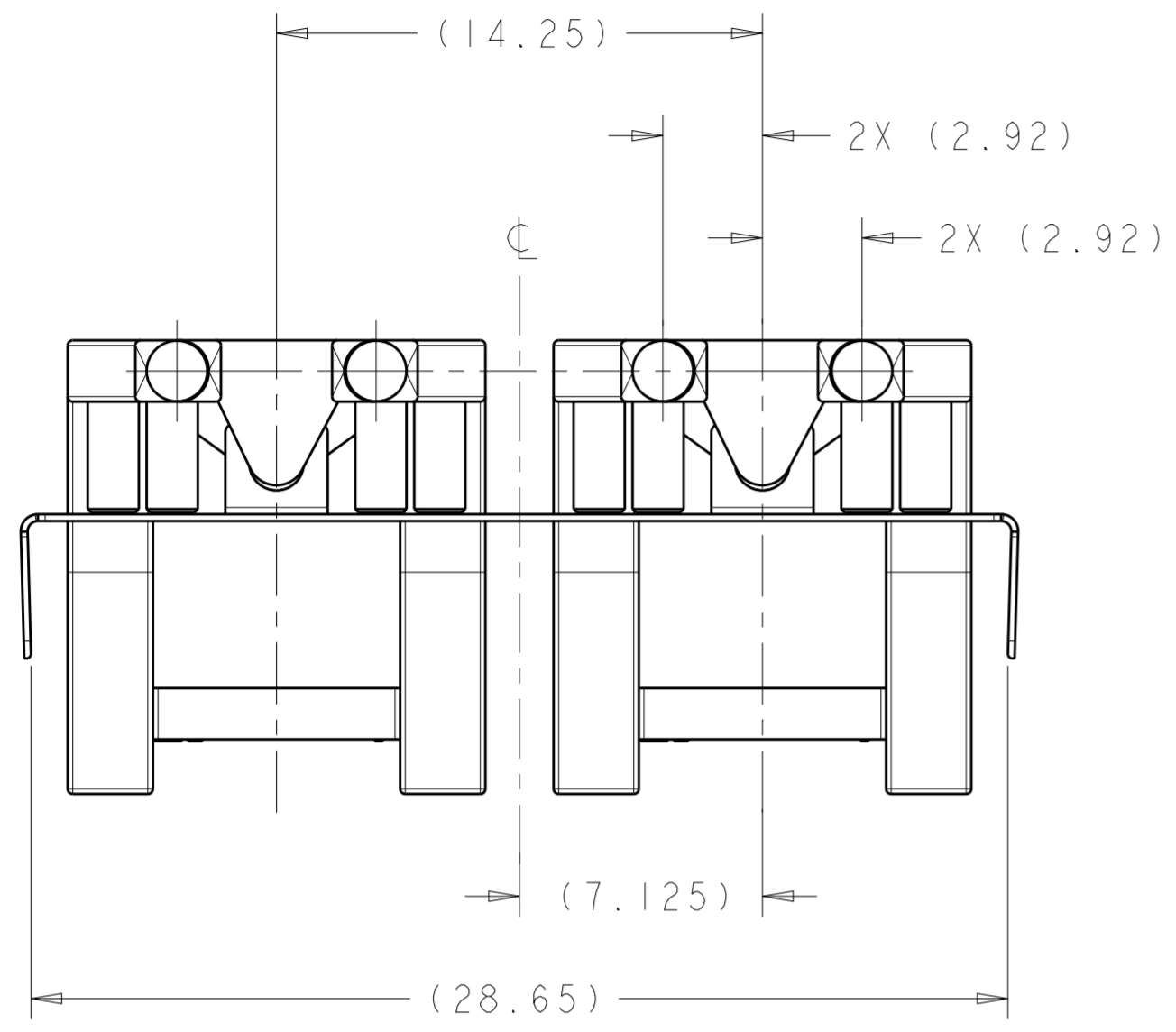
APPLIED TO zSFP+	1-2007182-3
APPLIED TO SFP+	2007182-3
REMARK	PART NUMBER

THIS DRAWING IS A CONTROLLED DOCUMENT.		DWN M.E.COWHER 14 JUN 2007
DIMENSIONS: mm		CHK M.J.PHILLIPS 14 JUN 2007
TOLERANCES UNLESS OTHERWISE SPECIFIED:		APVD M.J.PHILLIPS 14 JUN 2007
0 PLC ±	1 PLC ±	PRODUCT SPEC
2 PLC ±	3 PLC ±	108-2364
4 PLC ±	ANGLES ±	APPLICATION SPEC
MATERIAL	FINISH	WEIGHT
1 2	-	-
Customer Drawing		SCALE 5:1 SHEET 3 OF 5 REV A2

<b>STE</b> TE Connectivity	
NAME 1X2 LIGHT PIPE ASSEMBLY, SFP+	
SIZE A2	CAGE CODE 00779
DRAWING NO C-2007182	RESTRICTED TO

THIS DRAWING IS UNPUBLISHED. RELEASED FOR PUBLICATION 20  
 © COPYRIGHT 20 BY - ALL RIGHTS RESERVED.

REVISIONS				
P	LTR	DESCRIPTION	DATE	APVD
-		SEE SHEET 1	-	-

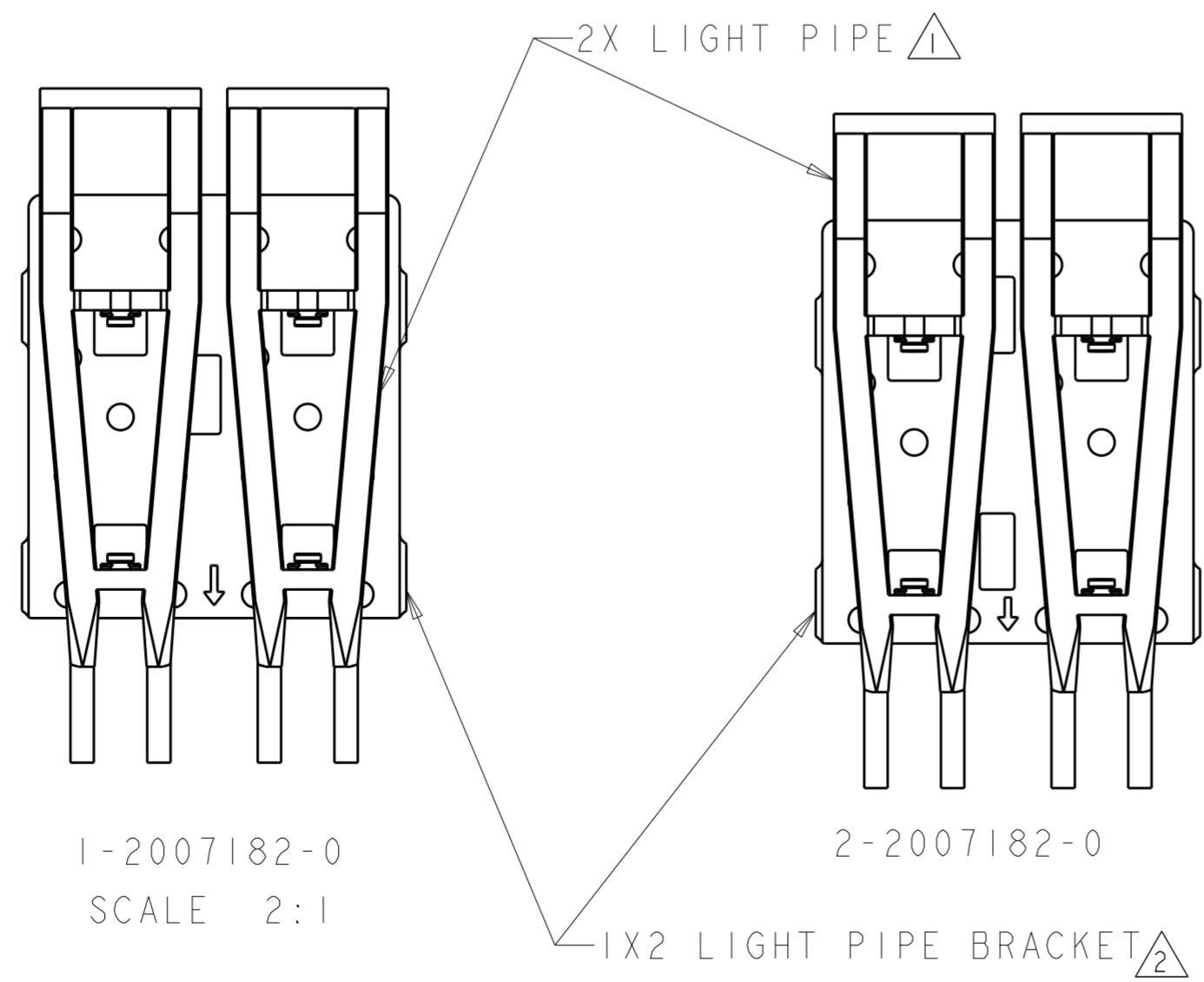
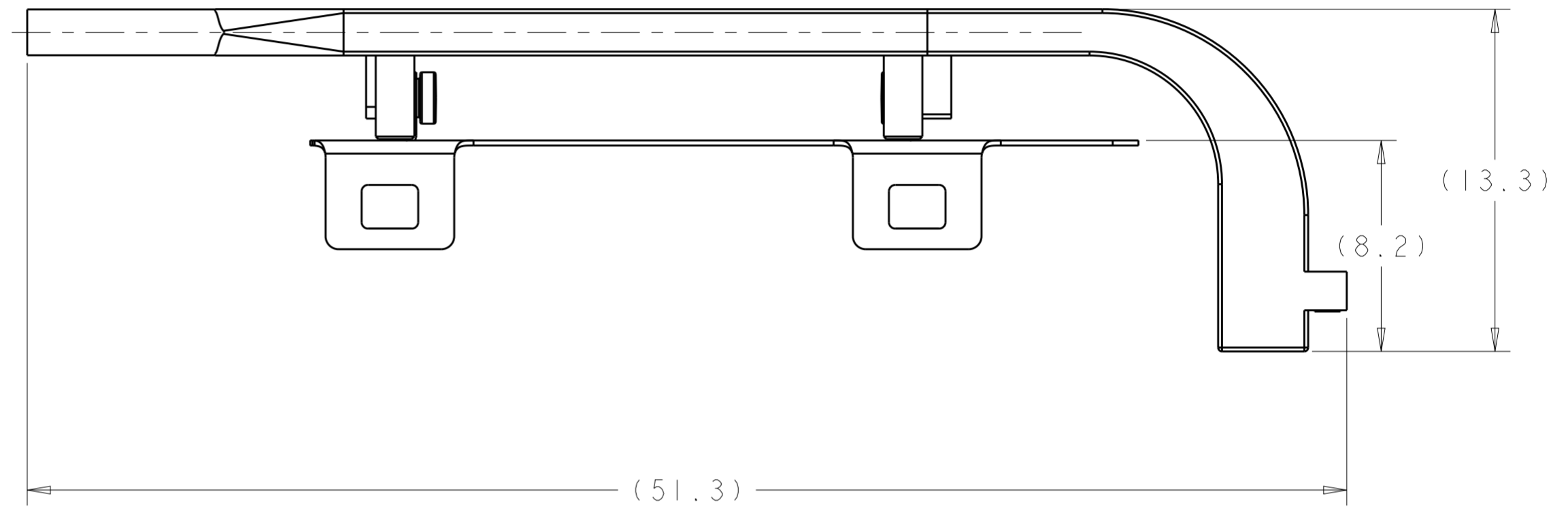
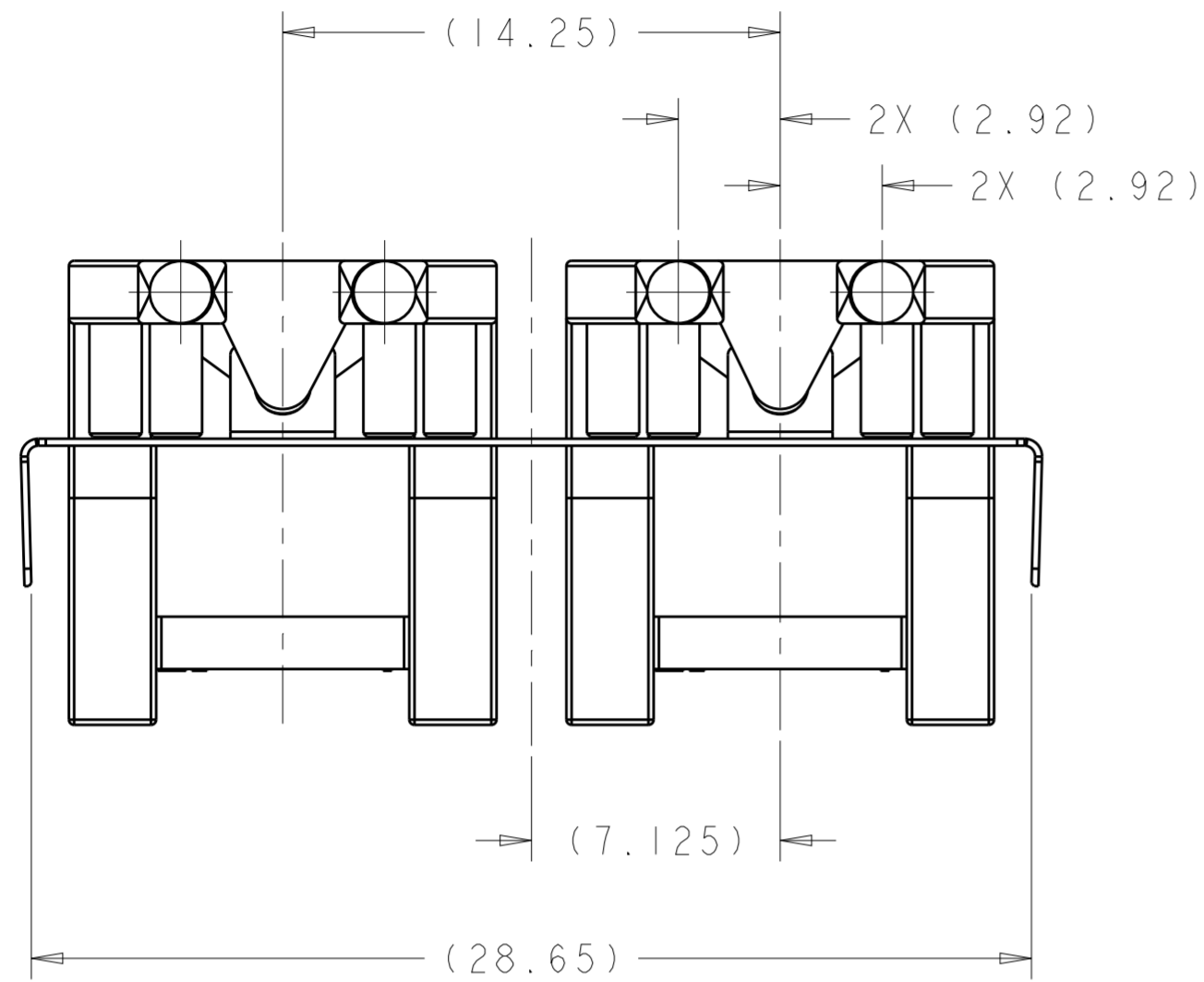


APPLIED TO zSFP+	1-2007182-4
APPLIED TO SFP+	2007182-4
REMARK	PART NUMBER

THIS DRAWING IS A CONTROLLED DOCUMENT.		DWN M.E.COWHER 14 JUN 2007	TE Connectivity	
DIMENSIONS: mm		CHK M.J.PHILLIPS 14 JUN 2007		
TOLERANCES UNLESS OTHERWISE SPECIFIED:		APVD M.J.PHILLIPS 14 JUN 2007		
0 PLC ± 1 PLC ± 2 PLC ± 3 PLC ± 4 PLC ± ANGLES ± FINISH -		PRODUCT SPEC 108-2364 APPLICATION SPEC - WEIGHT -		
MATERIAL		Customer Drawing	NAME 1X2 LIGHT PIPE ASSEMBLY, SFP+	RESTRICTED TO -
		SCALE 5:1	SIZE A2 CAGE CODE C-2007182	SHEET 4 OF 5
				REV A2

THIS DRAWING IS UNPUBLISHED. RELEASED FOR PUBLICATION 20  
 © COPYRIGHT 20 BY - ALL RIGHTS RESERVED.

REVISIONS				
P	LTR	DESCRIPTION	DATE	APVD
-		SEE SHEET 1	-	-



APPLIED TO zSFP+	2-2007182-0
APPLIED TO SFP+	1-2007182-0
REMARK	PART NUMBER

THIS DRAWING IS A CONTROLLED DOCUMENT.		DWN M.E.COWHER 14 JUN 2007	TE Connectivity	
DIMENSIONS: mm		CHK M.J.PHILLIPS 14 JUN 2007		
TOLERANCES UNLESS OTHERWISE SPECIFIED:		APVD M.J.PHILLIPS 14 JUN 2007		
0 PLC ± 1 PLC ± 2 PLC ± 3 PLC ± 4 PLC ± ANGLES ± FINISH -		PRODUCT SPEC 108-2364 APPLICATION SPEC - WEIGHT -		
MATERIAL		NAME 1X2 LIGHT PIPE ASSEMBLY, SFP+		RESTRICTED TO
		SIZE A2 CAGE CODE C-2007182 DRAWING NO. A200779		SCALE 5:1 SHEET 5 OF 5 REV A2
Customer Drawing				