



Chipsmall Limited consists of a professional team with an average of over 10 year of expertise in the distribution of electronic components. Based in Hongkong, we have already established firm and mutual-benefit business relationships with customers from,Europe,America and south Asia,supplying obsolete and hard-to-find components to meet their specific needs.

With the principle of “Quality Parts,Customers Priority,Honest Operation,and Considerate Service”,our business mainly focus on the distribution of electronic components. Line cards we deal with include Microchip,ALPS,ROHM,Xilinx,Pulse,ON,Everlight and Freescale. Main products comprise IC,Modules,Potentiometer,IC Socket,Relay,Connector.Our parts cover such applications as commercial,industrial, and automotives areas.

We are looking forward to setting up business relationship with you and hope to provide you with the best service and solution. Let us make a better world for our industry!



Contact us

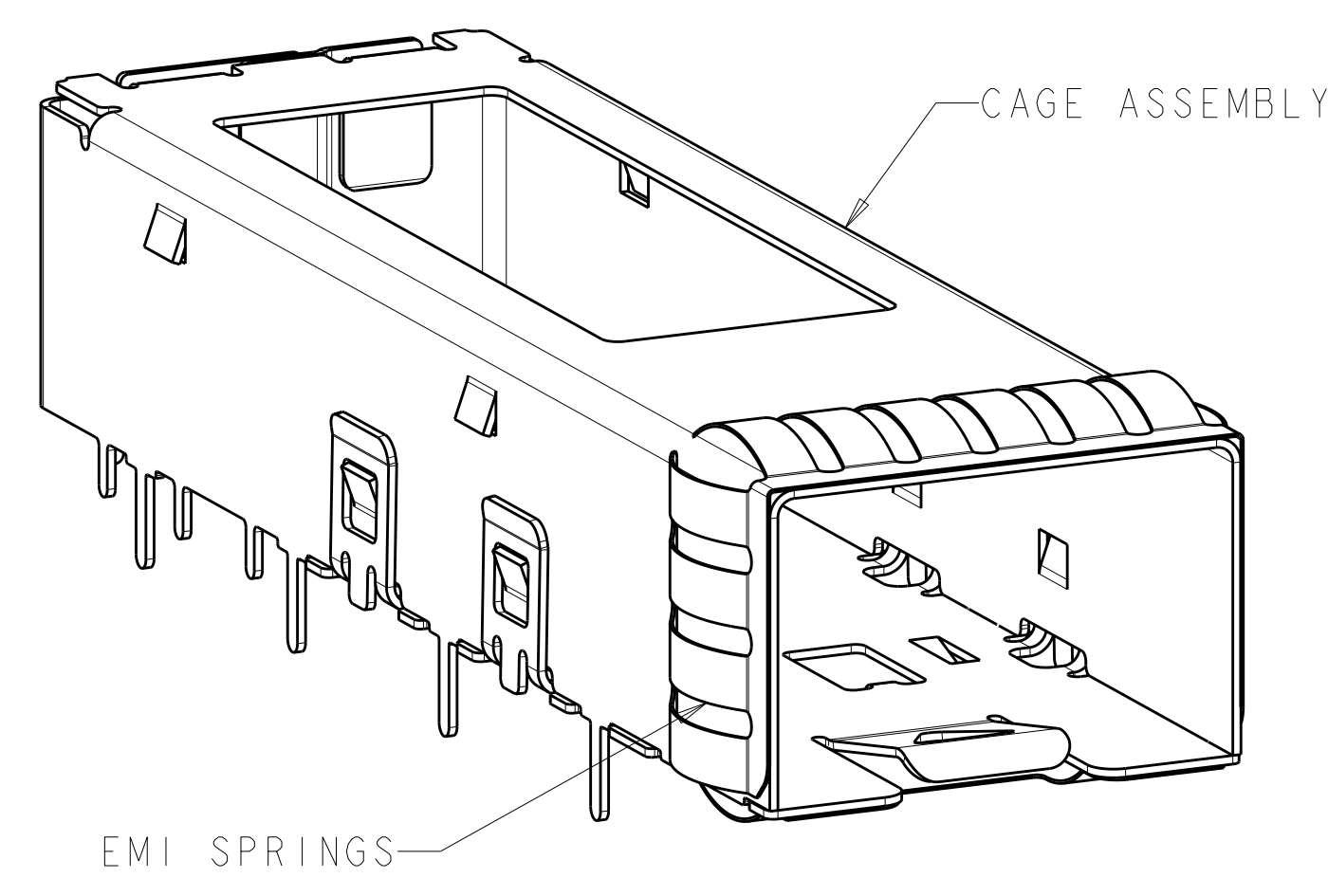
Tel: +86-755-8981 8866 Fax: +86-755-8427 6832

Email & Skype: info@chipsmall.com Web: www.chipsmall.com

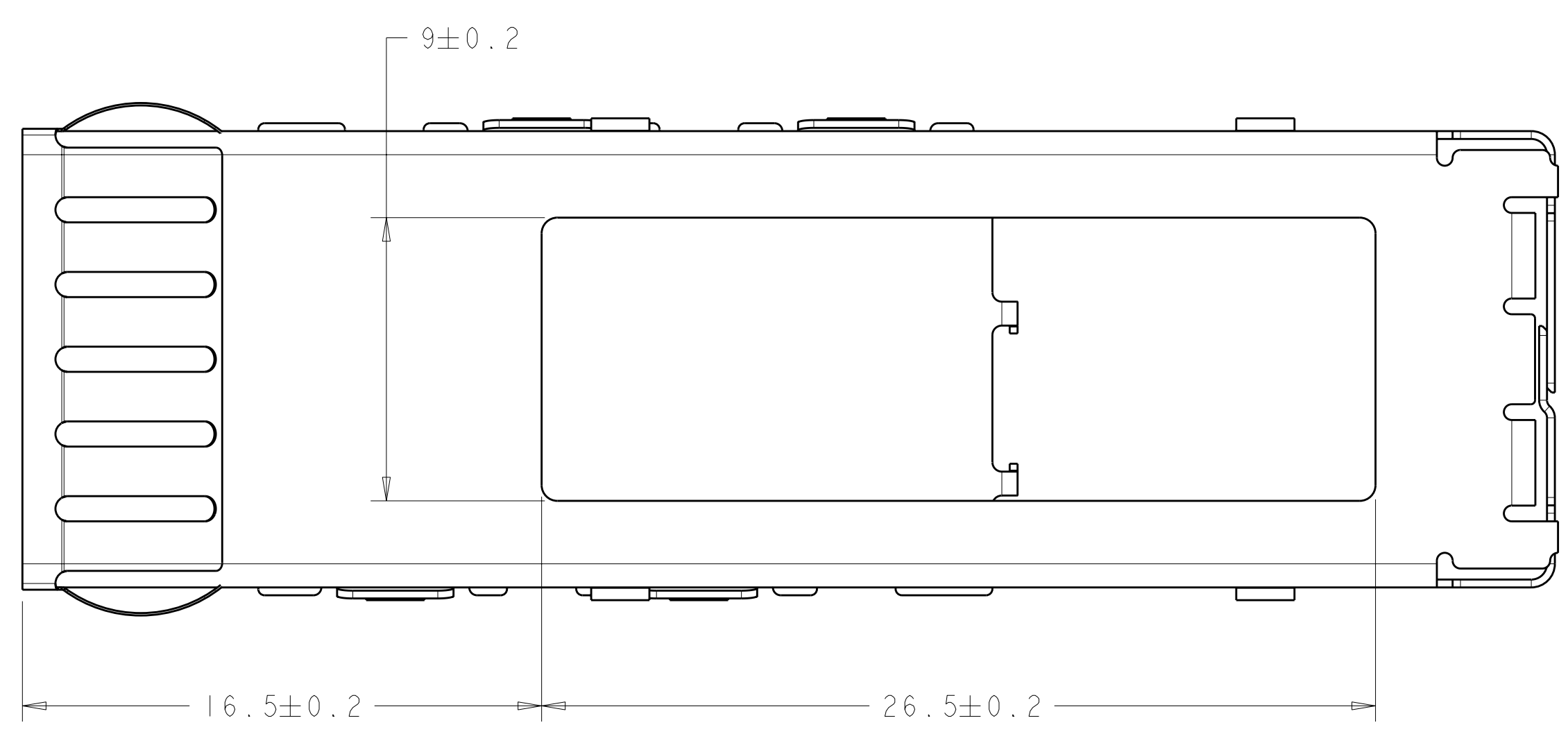
Address: A1208, Overseas Decoration Building, #122 Zhenhua RD., Futian, Shenzhen, China



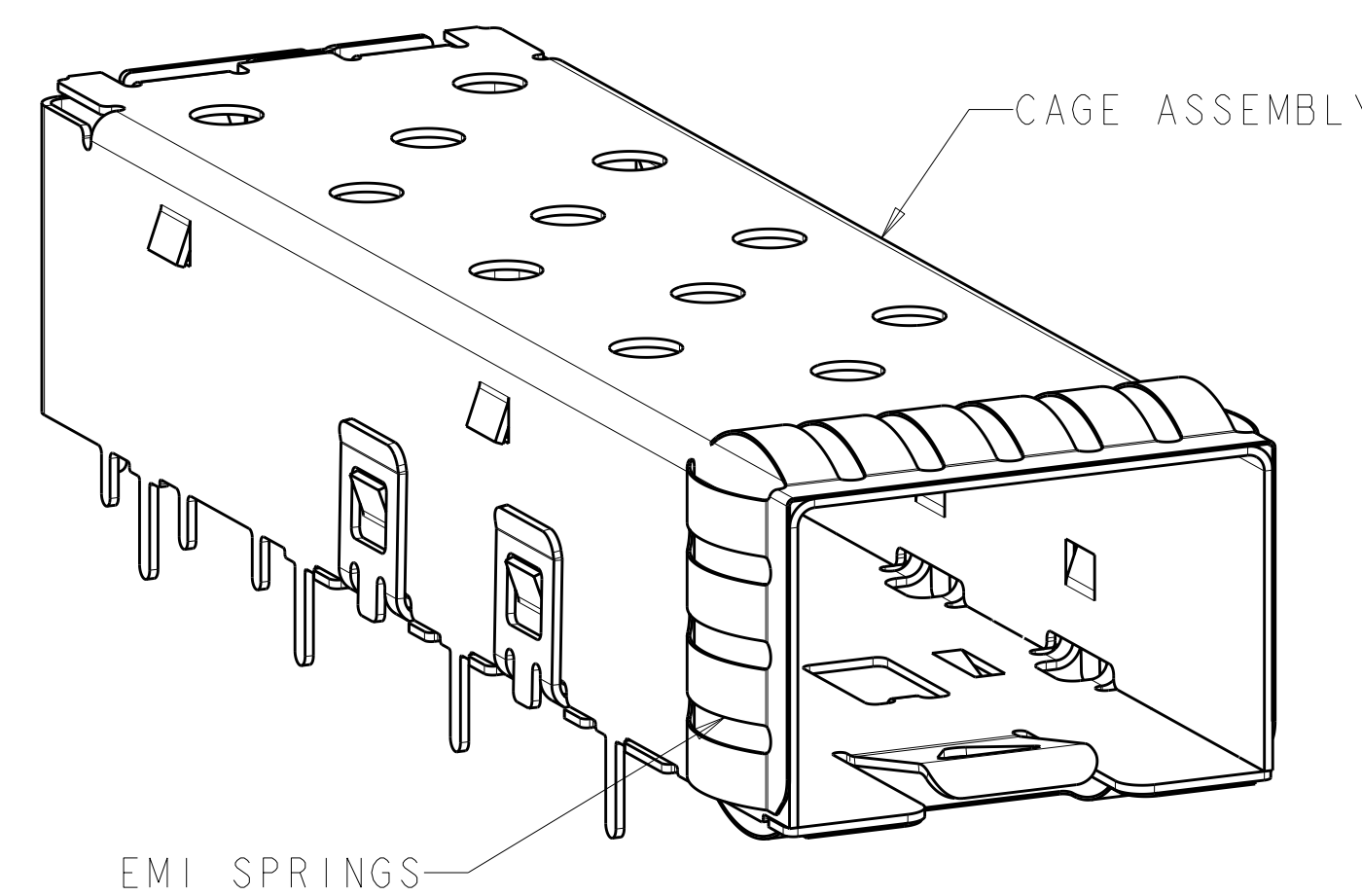
LOC	DIST	REV	DATE	BY	CHKD	APVD
GP	00					
		C1	11MAR2011	RK	HMR	
		D	05JAN2012	TX	AC	



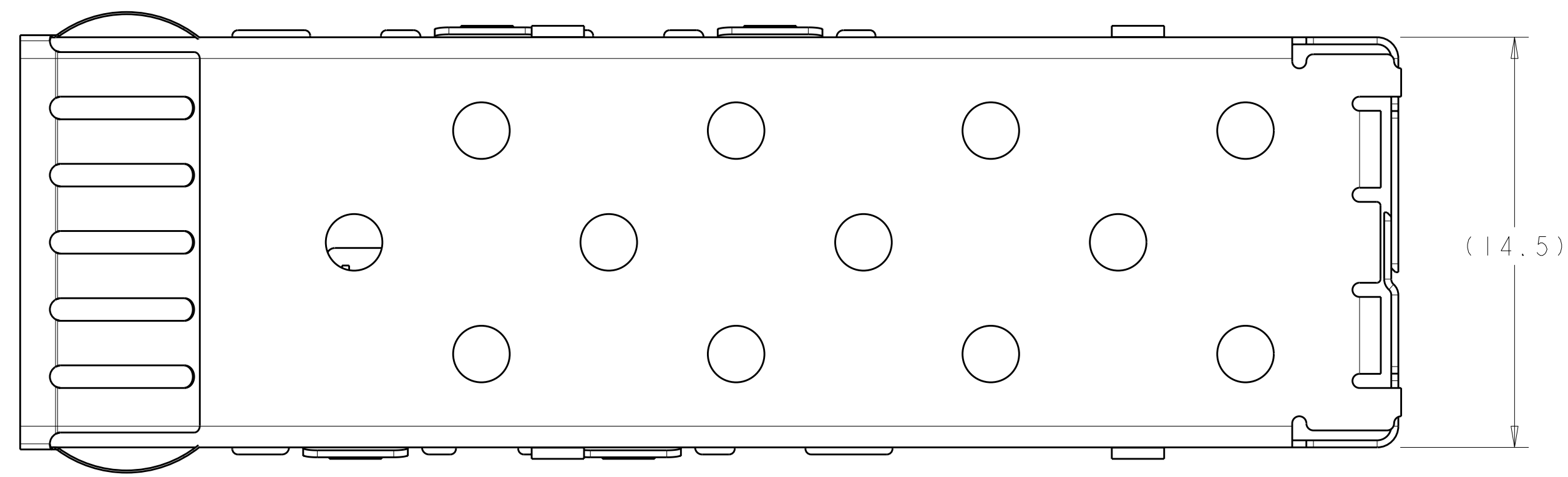
2007194-2
SCALE 5:1



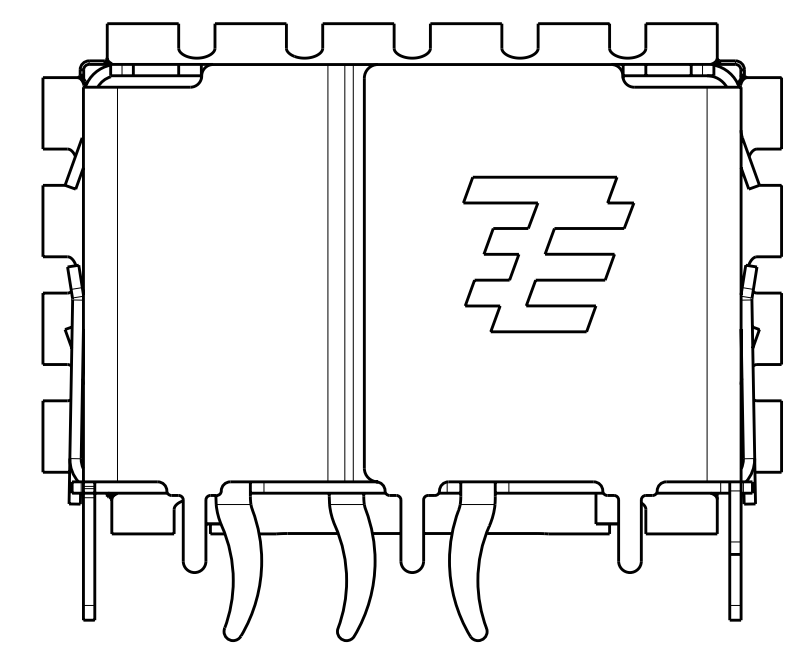
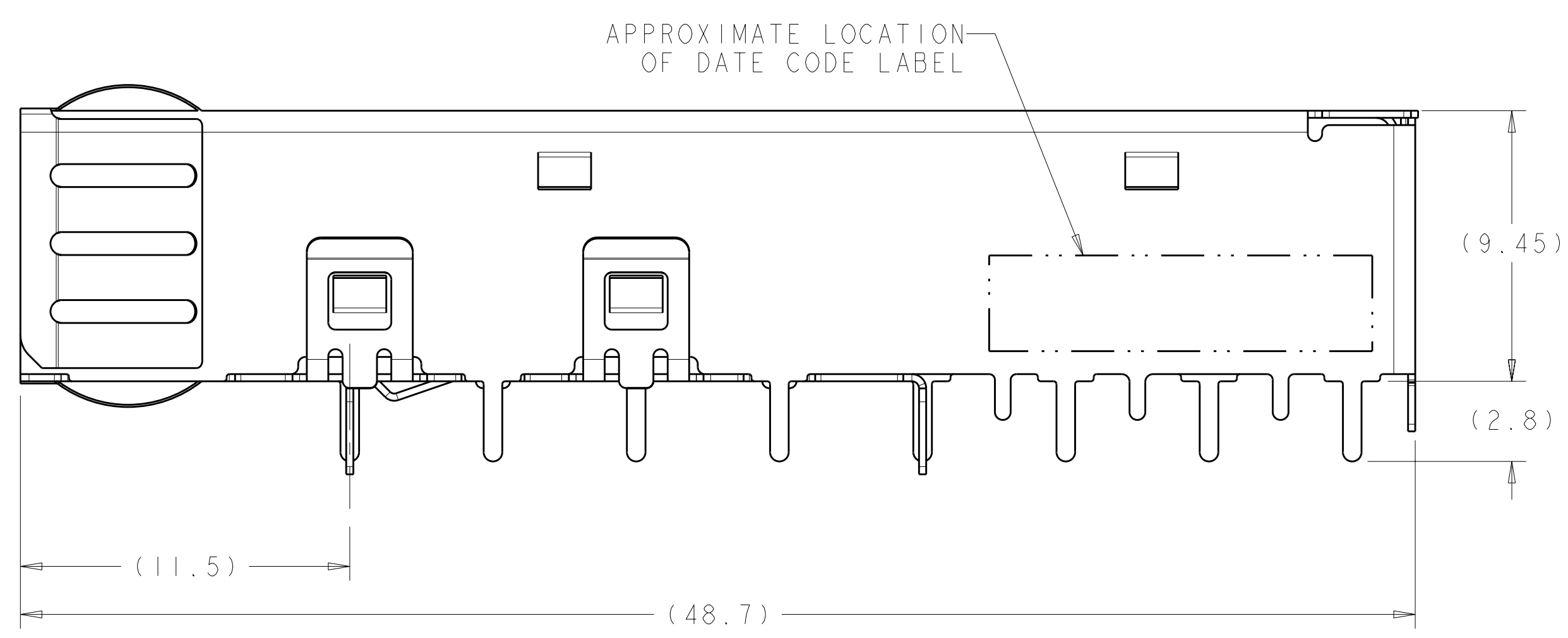
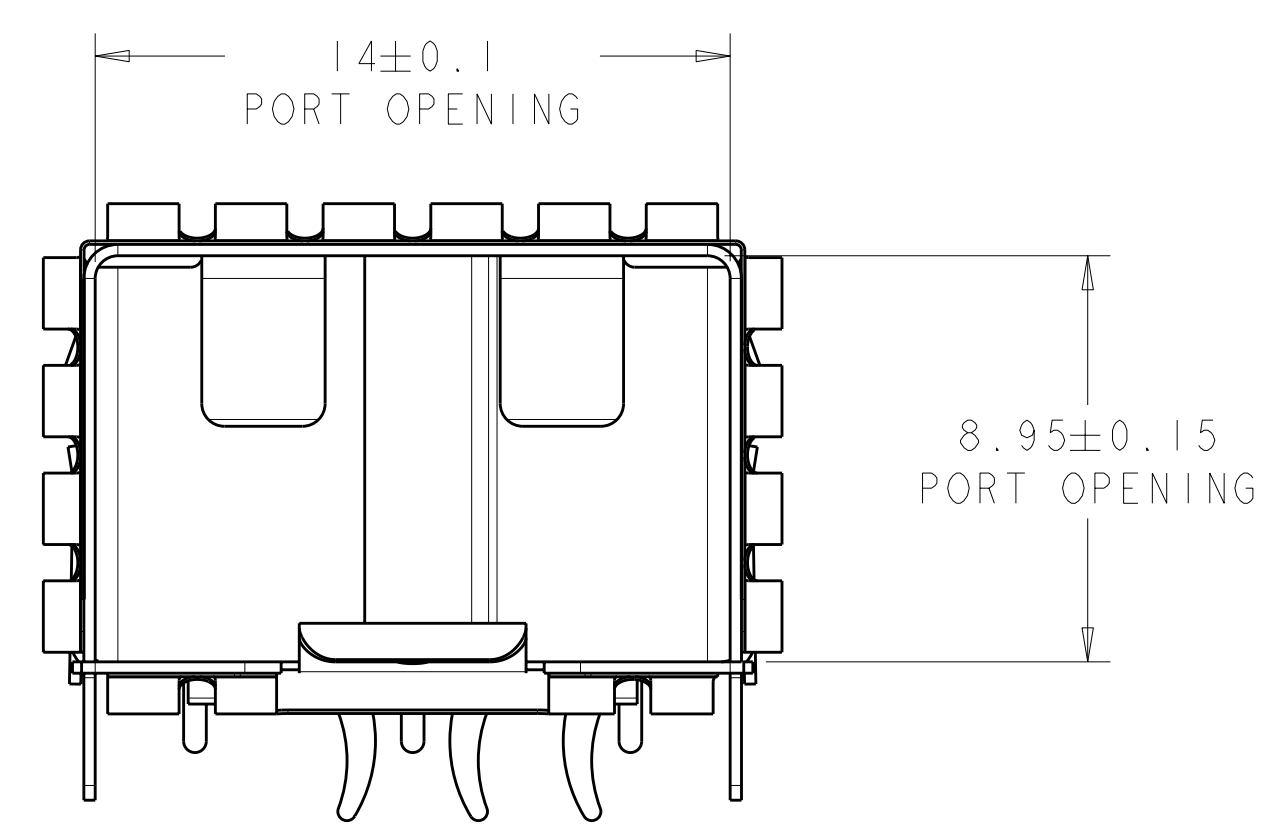
2007194-2
SAME AS 2007194-1 EXCEPT AS SHOWN
TOP VIEW



2007194-1
SCALE 5:1



2007194-1
TOP VIEW



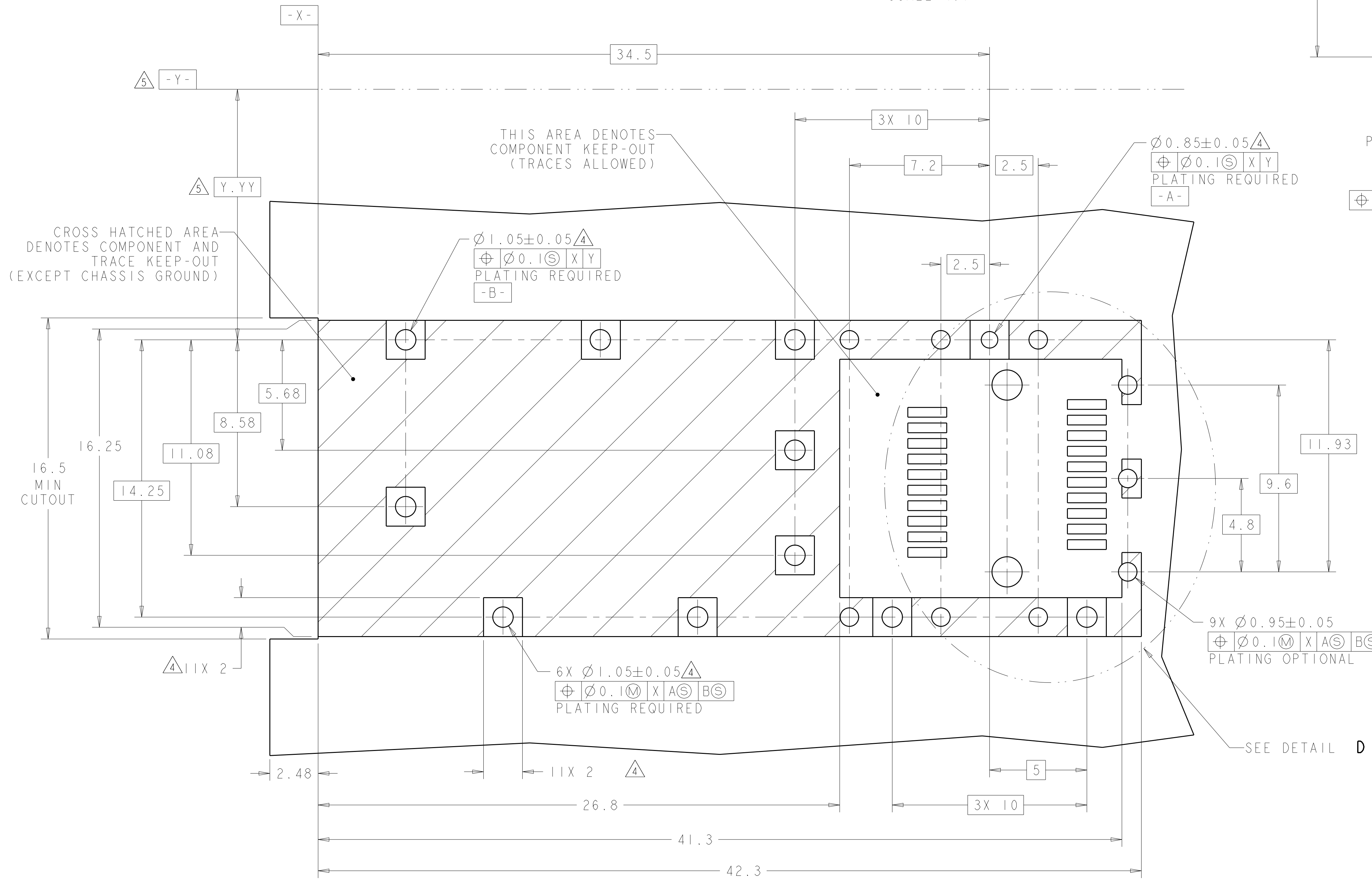
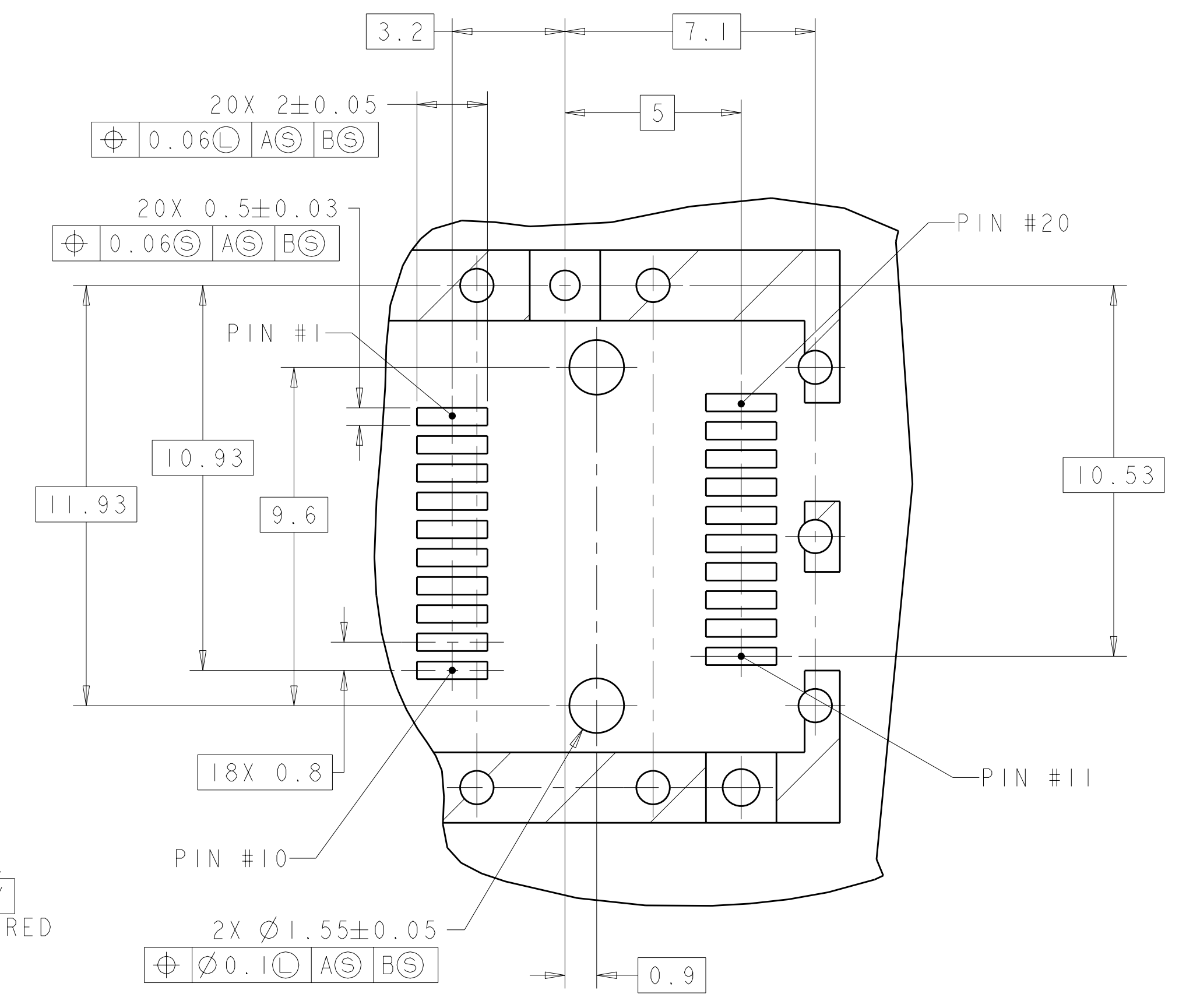
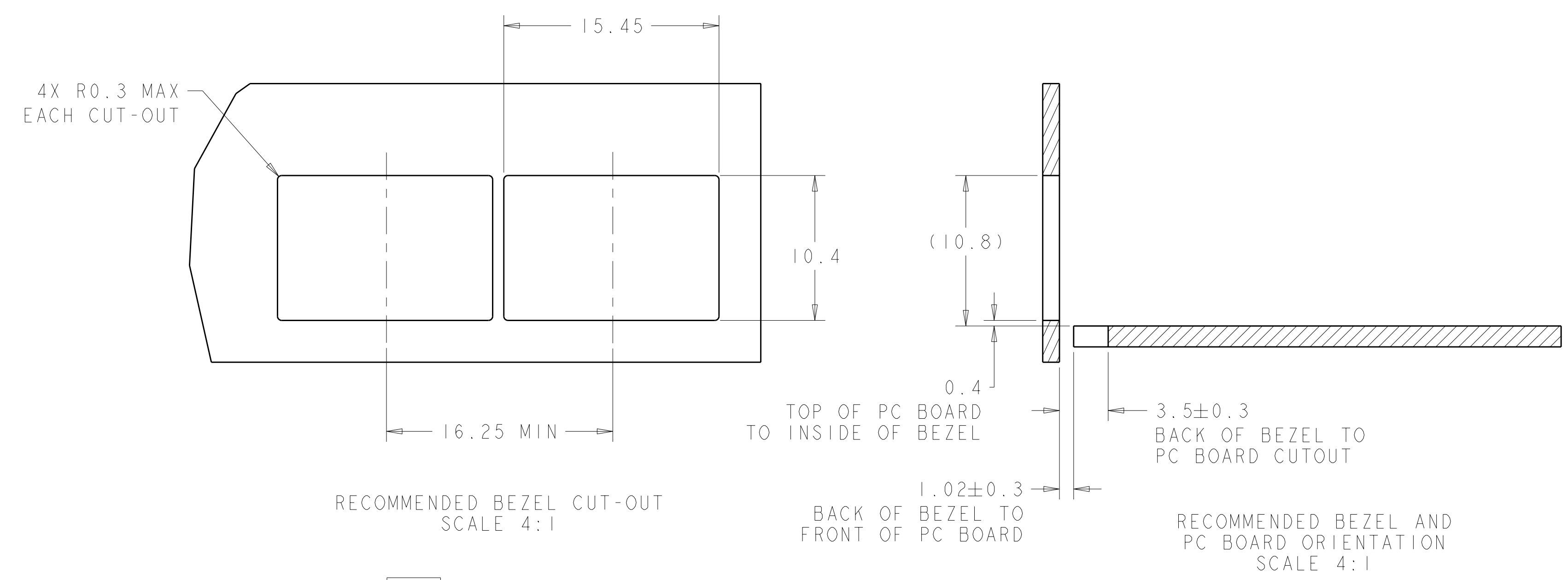
HEATSINK OPENING	2007194-2
EMI HOLES	2007194-1
DESCRIPTION	PART NUMBER

- 1 MATERIAL:
CAGE ASSEMBLY - 0.25mm THICK NICKEL-SILVER ALLOY.
EMI SPRINGS - COPPER ALLOY.
- 2 FINISH:
EMI SPRINGS - 0.8um MIN MATTE TIN OVER 0.8um MIN NICKEL
NON PLATED EDGES PERMISSIBLE.
- 3. MATES WITH SFP MSA COMPLIANT TRANSCEIVERS.
- 4 PADS AND VIAS CHASSIS GROUND.
- 5 DATUMS AND BASIC DIMENSIONS ESTABLISHED BY CUSTOMER.
- 6. MINIMUM PC BOARD THICKNESS:
SINGLE SIDED = 1.50mm.
- 7. NOTE DELETED

THIS DRAWING IS A CONTROLLED DOCUMENT.		OWN	Z. M. BEAM	10JUL2007
DIMENSIONS:		CHKD	M. R. SCHMITT	10JUL2007
mm		APVD	R. H. WERTZ	10JUL2007
TOLERANCES UNLESS OTHERWISE SPECIFIED:		PRODUCT SPEC	NAME	
9 PLC	±0.1	108-2364	SFP+ 1X1 CAGE ASSEMBLY, PCI, SOLDER TAILS, EXTERNAL EMI SPRINGS	
1 PLC	±0.1	APPLICATION SPEC	SIZE	CAGE CODE
3 PLC	±0.1	114-13120	A100779	C=2007194
5 PLC	±0.05	WEIGHT	RESTRICTED TO	
4 PLC	±0.05	CUSTOMER DRAWING	SCALE 6:1 SHEET 1 OF 2 REV D	
ANGLES	±0.05			
MATERIAL				
FINISH				

LOC	DIST	REV	DATE	BY	APPD
GP	00				

REVISIONS		DATE	BY	APPD
1	SEE SHEET 1			



THIS DRAWING IS A CONTROLLED DOCUMENT.		OWN	Z. M. BEAM	10JUL2007
DIMENSIONS:		CHK	M. R. SCHMITT	10JUL2007
mm	TOLERANCES UNLESS OTHERWISE SPECIFIED:	APPD	P. H. WERTZ	10JUL2007
∅	9 PLC ±0.1	NAME		
PLC	1 PLC ±0.1	SFP+ 1X1 CAGE ASSEMBLY,		
PLC	3 PLC ±0.1	PCI, SOLDER TAILS,		
PLC	4 PLC ±0.05	EXTERNAL EMI SPRINGS		
ANGLES	±0.05	PRODUCT SPEC	108-2364	
MATERIAL		APPLICATION SPEC	114-13120	
FINISH		WEIGHT	A100779C=2007194	
		CUSTOMER DRAWING	SCALE	6:1 SHEET 2 OF 2 REV D