



Chipsmall Limited consists of a professional team with an average of over 10 year of expertise in the distribution of electronic components. Based in Hongkong, we have already established firm and mutual-benefit business relationships with customers from,Europe,America and south Asia,supplying obsolete and hard-to-find components to meet their specific needs.

With the principle of “Quality Parts,Customers Priority,Honest Operation,and Considerate Service”,our business mainly focus on the distribution of electronic components. Line cards we deal with include Microchip,ALPS,ROHM,Xilinx,Pulse,ON,Everlight and Freescale. Main products comprise IC,Modules,Potentiometer,IC Socket,Relay,Connector.Our parts cover such applications as commercial,industrial, and automotives areas.

We are looking forward to setting up business relationship with you and hope to provide you with the best service and solution. Let us make a better world for our industry!



Contact us

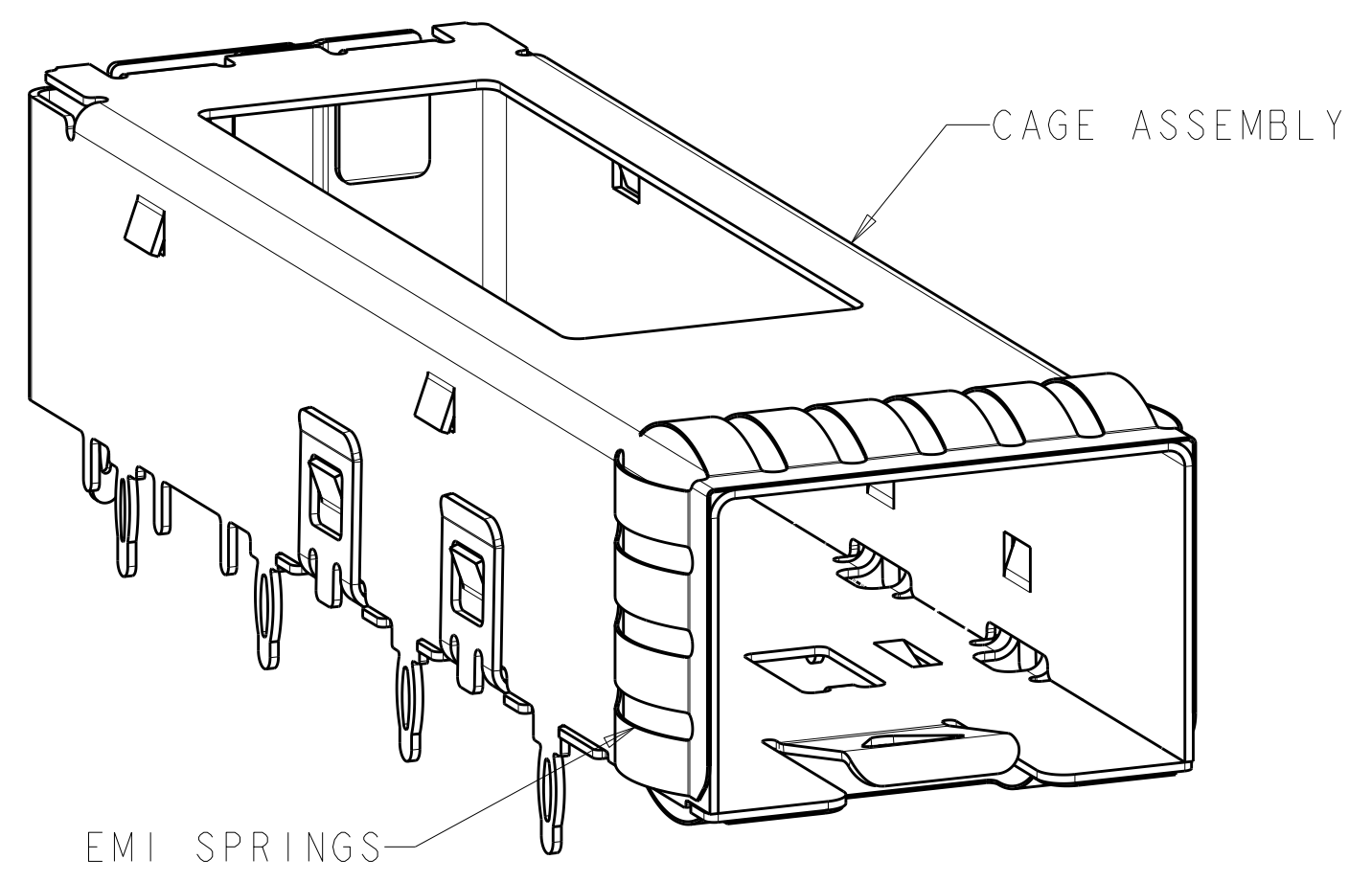
Tel: +86-755-8981 8866 Fax: +86-755-8427 6832

Email & Skype: info@chipsmall.com Web: www.chipsmall.com

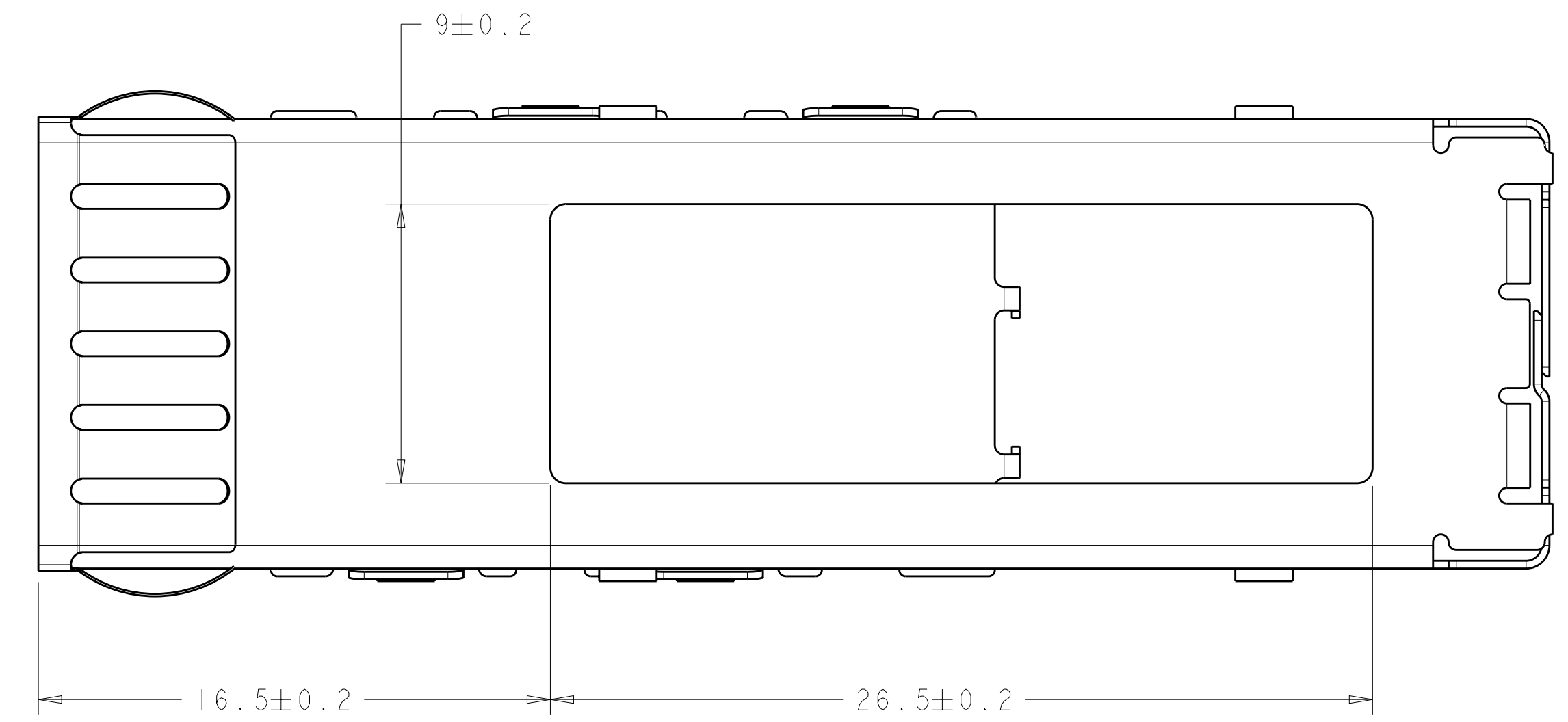
Address: A1208, Overseas Decoration Building, #122 Zhenhua RD., Futian, Shenzhen, China



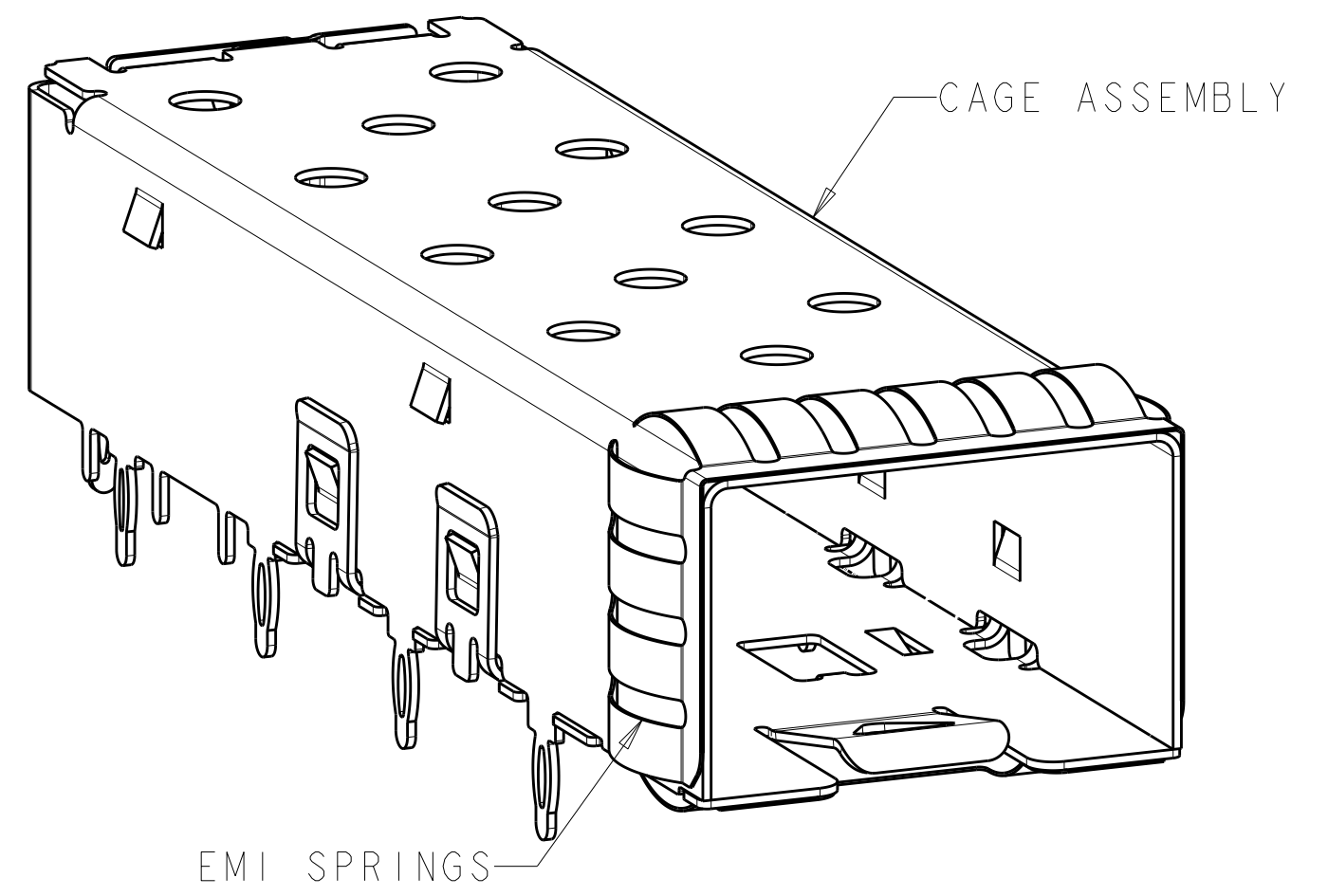
LOC	DIST	REVISIONS			
GP	00	REV	DATE	BY	APPD
		B	200CT2009	CR	MS
		C	07DEC2011	TX	AC



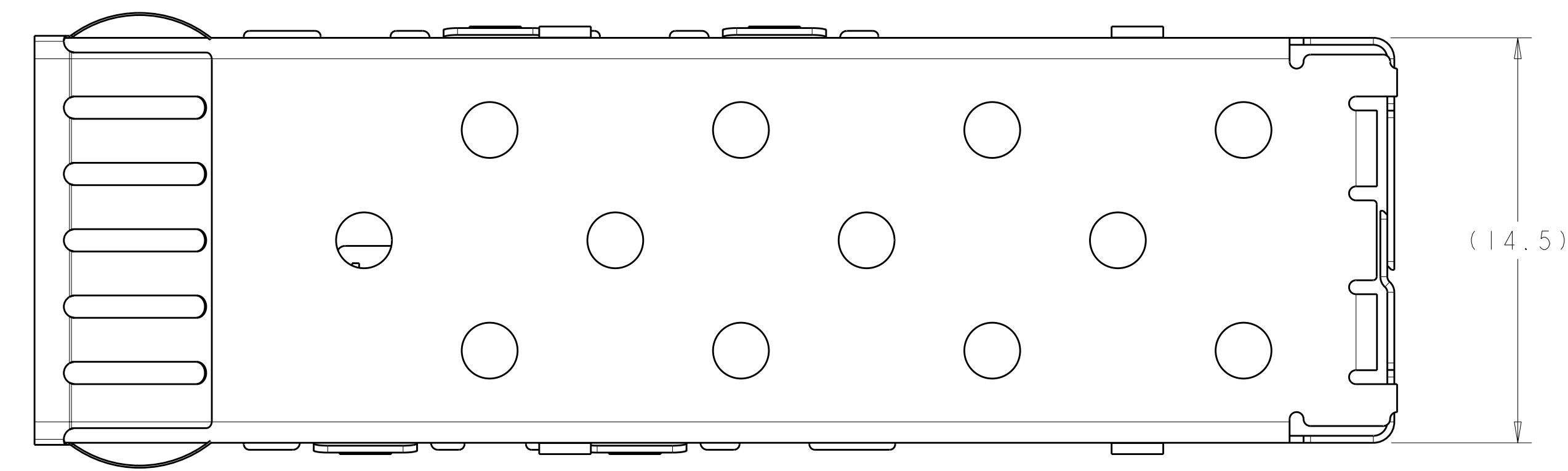
2007215-2
SCALE 5:1



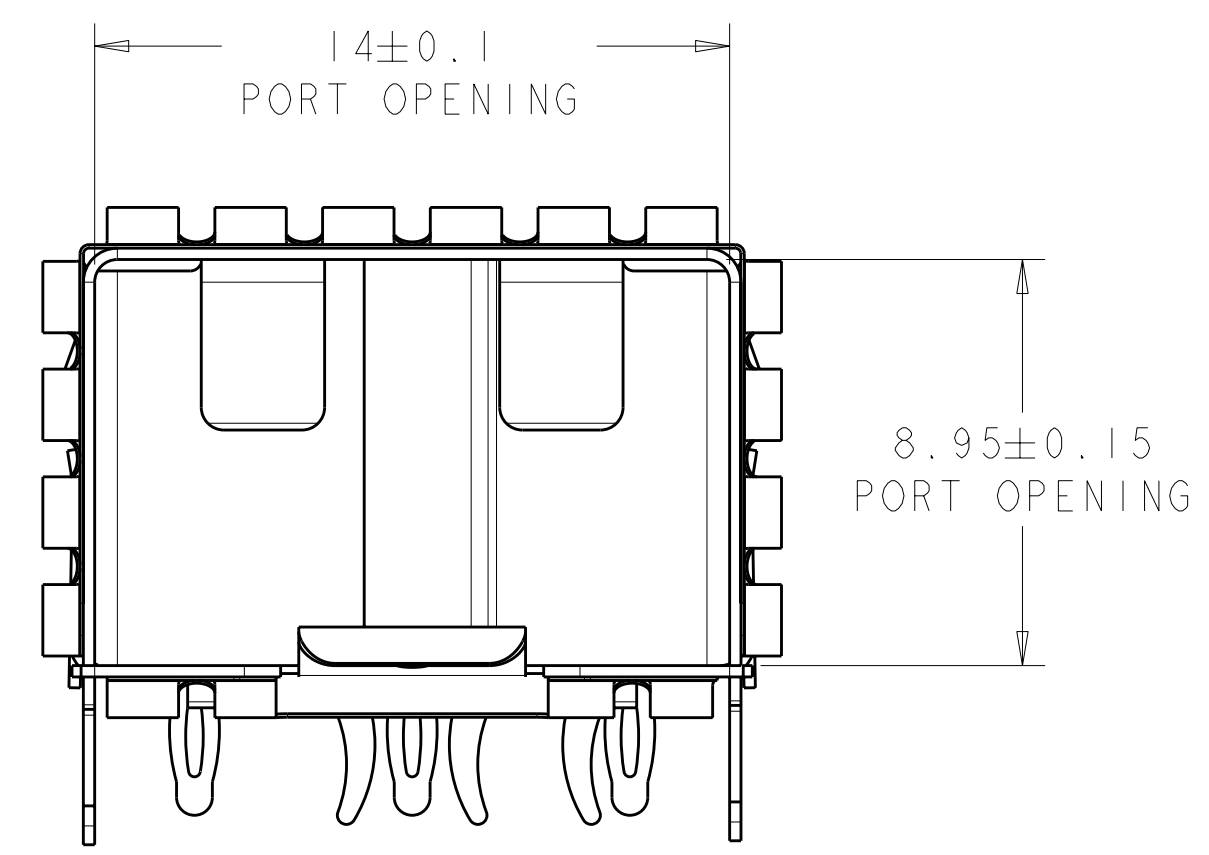
2007215-2
SAME AS 2007215-1 EXCEPT AS SHOWN
TOP VIEW



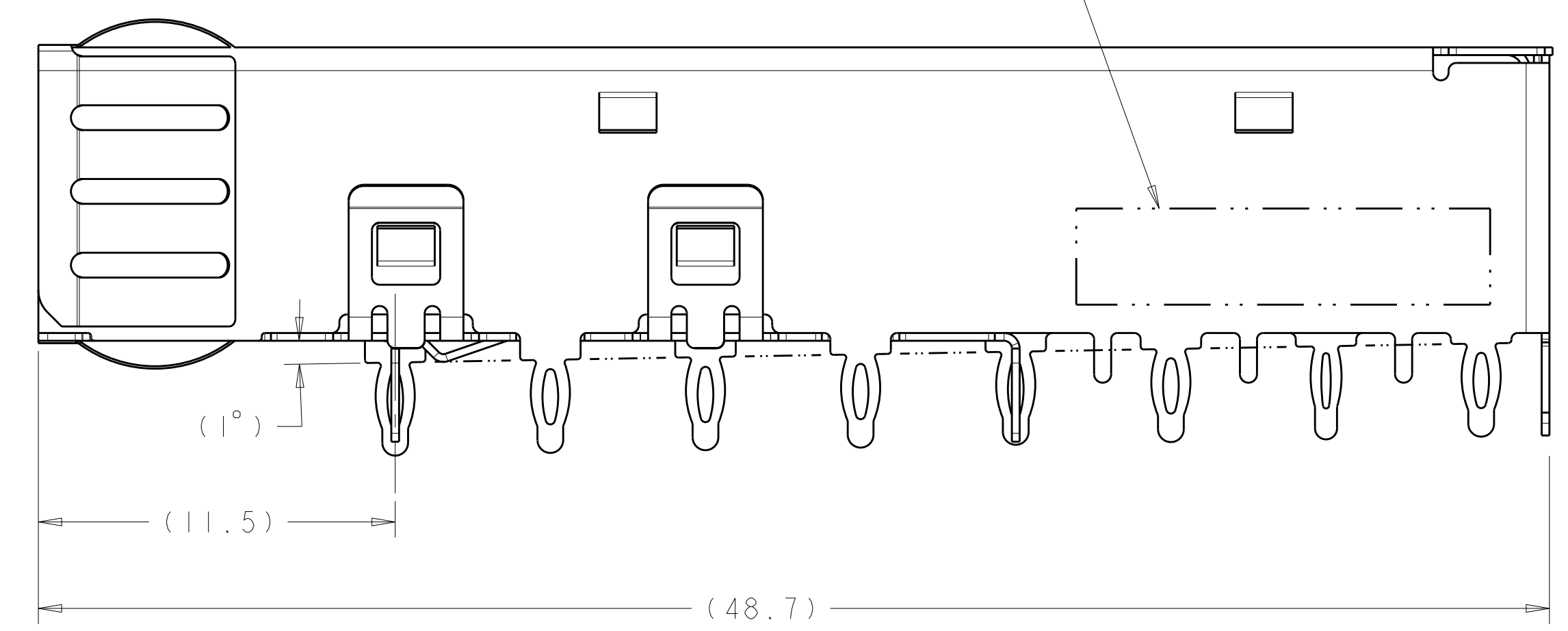
2007215-1
SCALE 5:1



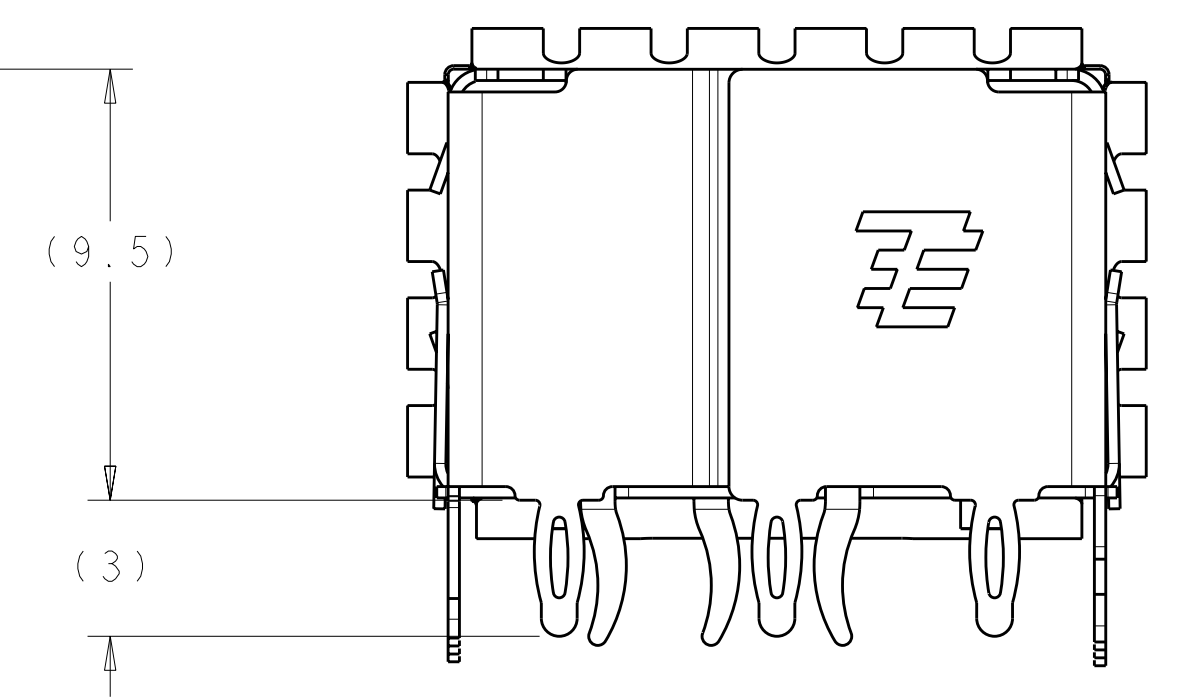
2007215-1
TOP VIEW



APPROXIMATE LOCATION
OF DATE CODE LABEL



- 1 MATERIAL:
CAGE ASSEMBLY - 0.25mm THICK NICKEL-SILVER ALLOY.
EMI SPRINGS - COPPER ALLOY.
- 2 FINISH:
EMI SPRINGS - 0.8um MIN TIN OVER 0.8um MIN NICKEL,
NON PLATED EDGES PERMISSIBLE.
- 3. MATES WITH SFP MSA COMPLIANT TRANSCEIVERS.
- 4 PADS AND VIAS CHASSIS GROUND.
- 5 DATUMS AND BASIC DIMENSIONS ESTABLISHED BY CUSTOMER.
- 6. MINIMUM PC BOARD THICKNESS:
SINGLE SIDED = 1.50mm
- 7 REFERENCE APPLICATION SPEC. 114-13120, HOLE A,
FOR RECOMMENDED DRILL HOLE DIAMETER AND PLATING
THICKNESS.
- 8 REFERENCE APPLICATION SPEC. 114-13120, HOLE C,
FOR RECOMMENDED DRILL HOLE DIAMETER AND PLATING
THICKNESS.
- 9. NOTE DELETED



HEATSINK OPENING	2007215-2
EMI HOLES	2007215-1
DESCRIPTION	PART NUMBER

THIS DRAWING IS A CONTROLLED DOCUMENT.

DIMENSIONS:	TOLERANCES UNLESS OTHERWISE SPECIFIED:	APPROVED:	DATE:
mm	0 PLC ±0.1 1 PLC ±0.1 2 PLC ±0.1 3 PLC ±0.1 4 PLC ±0.05 ANGLES ±0.05	M. SCHMITT	6AUG2007
MATERIAL:	FINISH:	APPROVED:	DATE:
		B. WERTZ	6AUG2007

NAME: SFP+ IXI CAGE ASSEMBLY, PCI, PRESS-FIT EMI SPRING FINGERS

PRODUCT SPEC: 108-2364

APPLICATION SPEC: 114-13120

SIZE: A100779 C=2007215

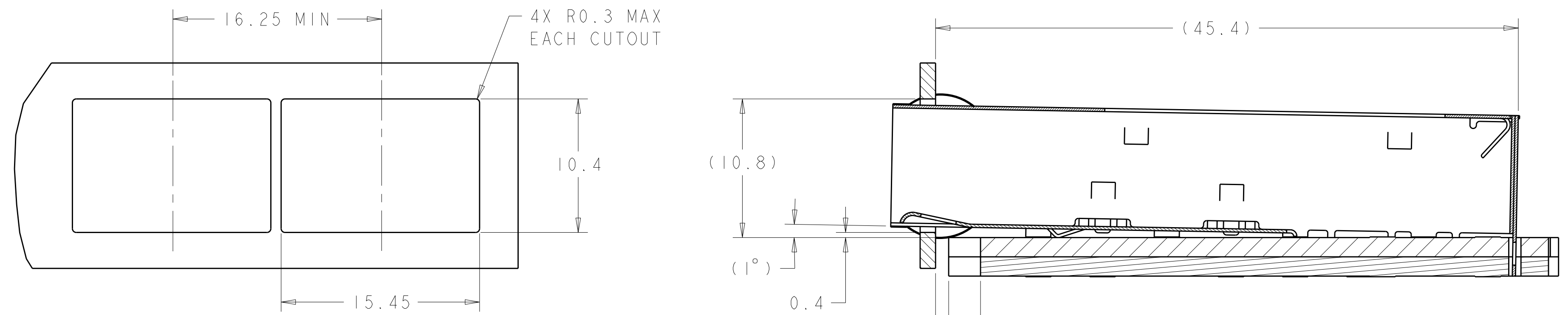
RESTRICTED TO: -

CUSTOMER DRAWING

SCALE: 6:1 SHEET: 1 OF 2 REV: C

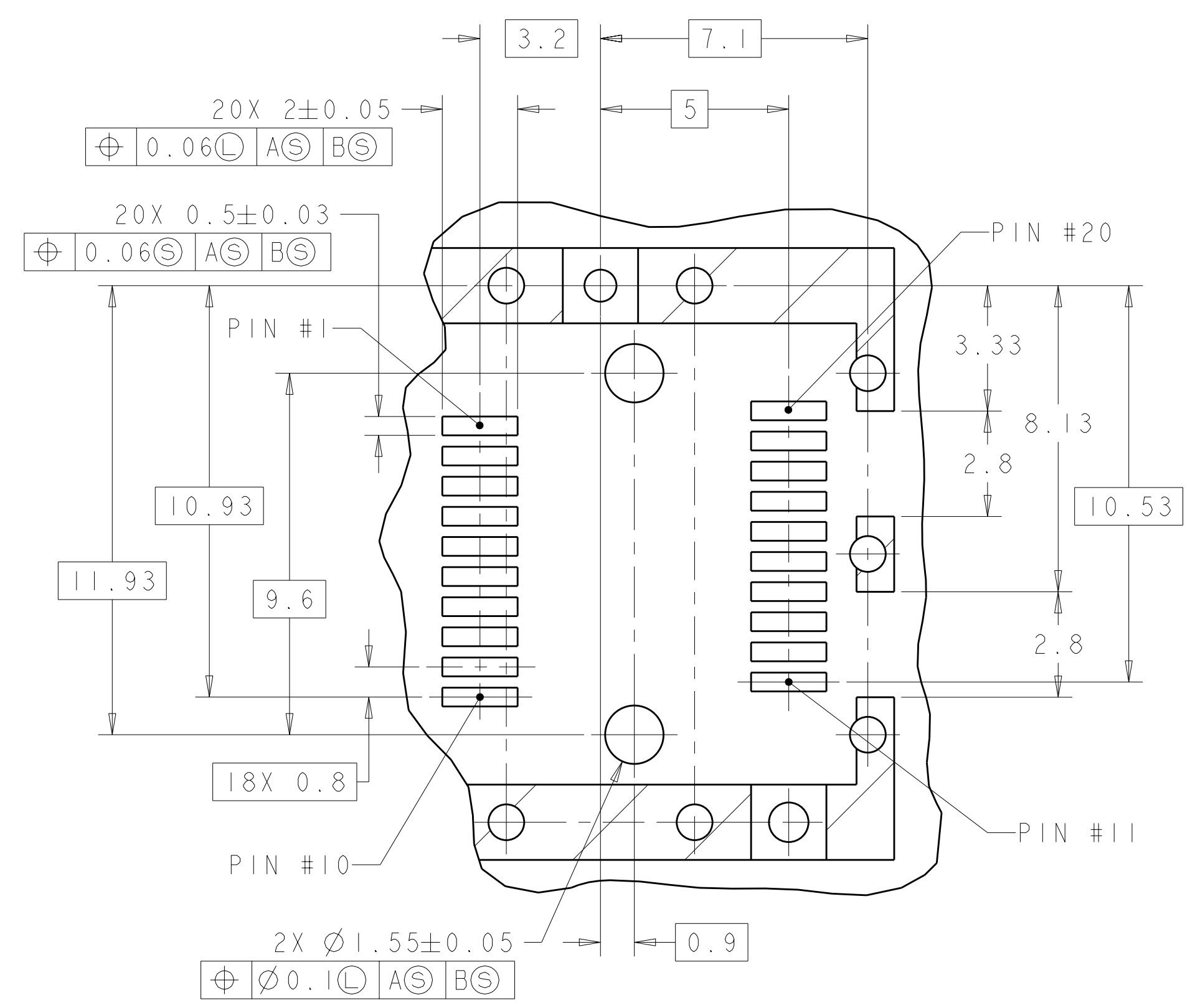
LOC	DIST	REV	DATE	BY	APPD
GP	00				

REVISIONS		DATE	BY	APPD
1	SEE SHEET 1			

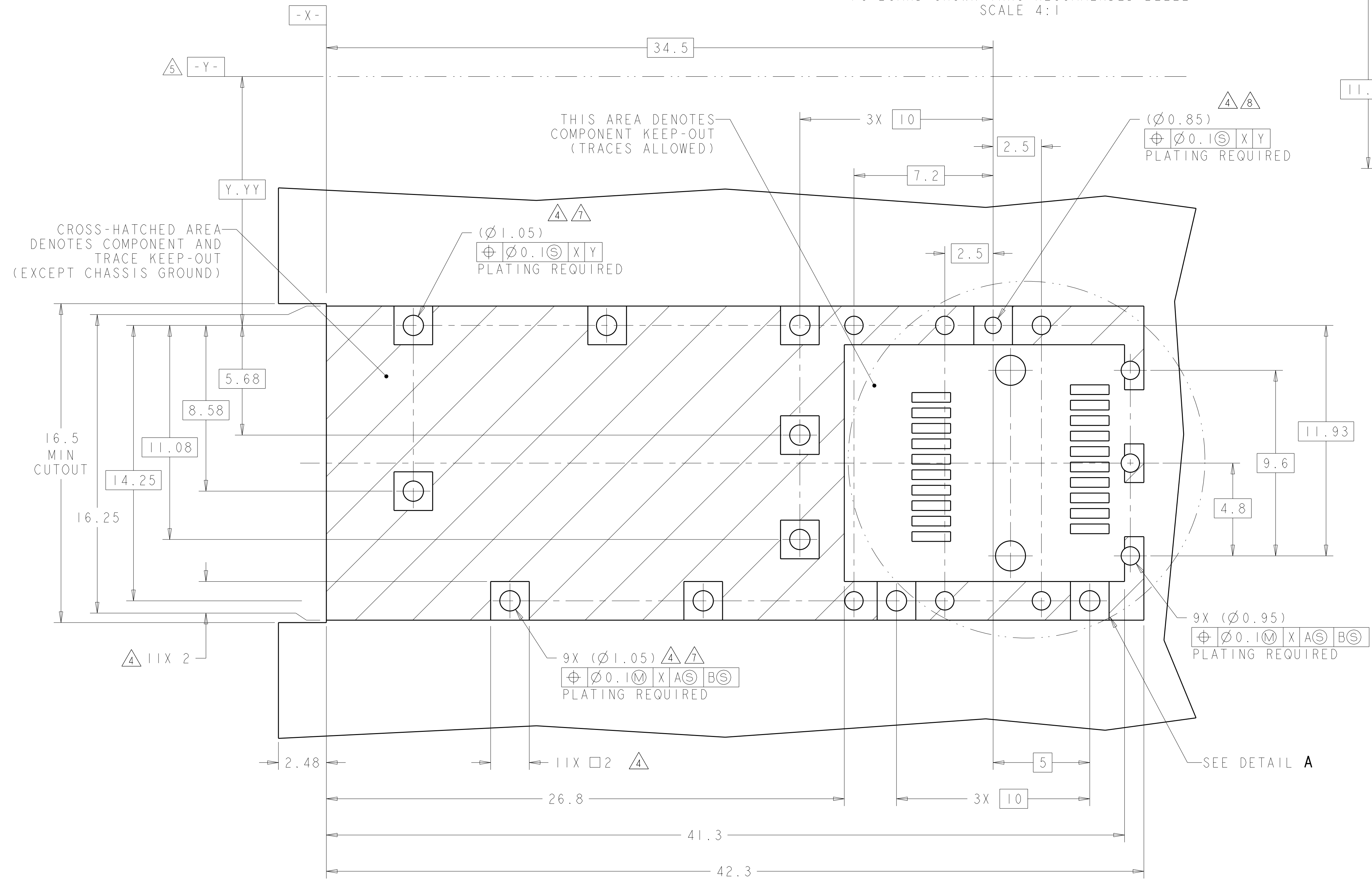


RECOMMENDED BEZEL CUTOUT SCALE 4:1

3.5±0.3 BACK OF BEZEL TO PC BOARD CUTOUT
 1.02±0.3 BACK OF BEZEL TO FRONT OF PC BOARD
 CAGE ASSEMBLY MOUNTED ON RECOMMENDED PC BOARD SHOWN THRU RECOMMENDED BEZEL SCALE 4:1



DETAIL A SCALE 8:1



RECOMMENDED PCB LAYOUT SCALE 8:1

THIS DRAWING IS A CONTROLLED DOCUMENT.		DWN M. SCHMITT 6AUG2007	TE Connectivity
DIMENSIONS: mm		CHK M. SCHMITT 6AUG2007	
TOLERANCES UNLESS OTHERWISE SPECIFIED:		APVD B. WERTZ 6AUG2007	NAME SFP+ IXI CAGE ASSEMBLY, PCI, PRESS-FIT EMI SPRING FINGERS
9 PLC ±0.1	1 PLC ±0.1	PRODUCT SPEC 108-2364	SIZE CAGE CODE DRAWING NO. RESTRICTED TO
5 PLC ±0.1	4 PLC ±0.05	APPLICATION SPEC 114-13120	A100779C=2007215
4 PLC ±0.05	ANGLES ±0.05	WEIGHT	SCALE 6:1 SHEET 2 OF 2 REV C
MATERIAL	FINISH	CUSTOMER DRAWING	