



Chipsmall Limited consists of a professional team with an average of over 10 year of expertise in the distribution of electronic components. Based in Hongkong, we have already established firm and mutual-benefit business relationships with customers from,Europe,America and south Asia,supplying obsolete and hard-to-find components to meet their specific needs.

With the principle of “Quality Parts,Customers Priority,Honest Operation,and Considerate Service”,our business mainly focus on the distribution of electronic components. Line cards we deal with include Microchip,ALPS,ROHM,Xilinx,Pulse,ON,Everlight and Freescale. Main products comprise IC,Modules,Potentiometer,IC Socket,Relay,Connector.Our parts cover such applications as commercial,industrial, and automotives areas.

We are looking forward to setting up business relationship with you and hope to provide you with the best service and solution. Let us make a better world for our industry!



Contact us

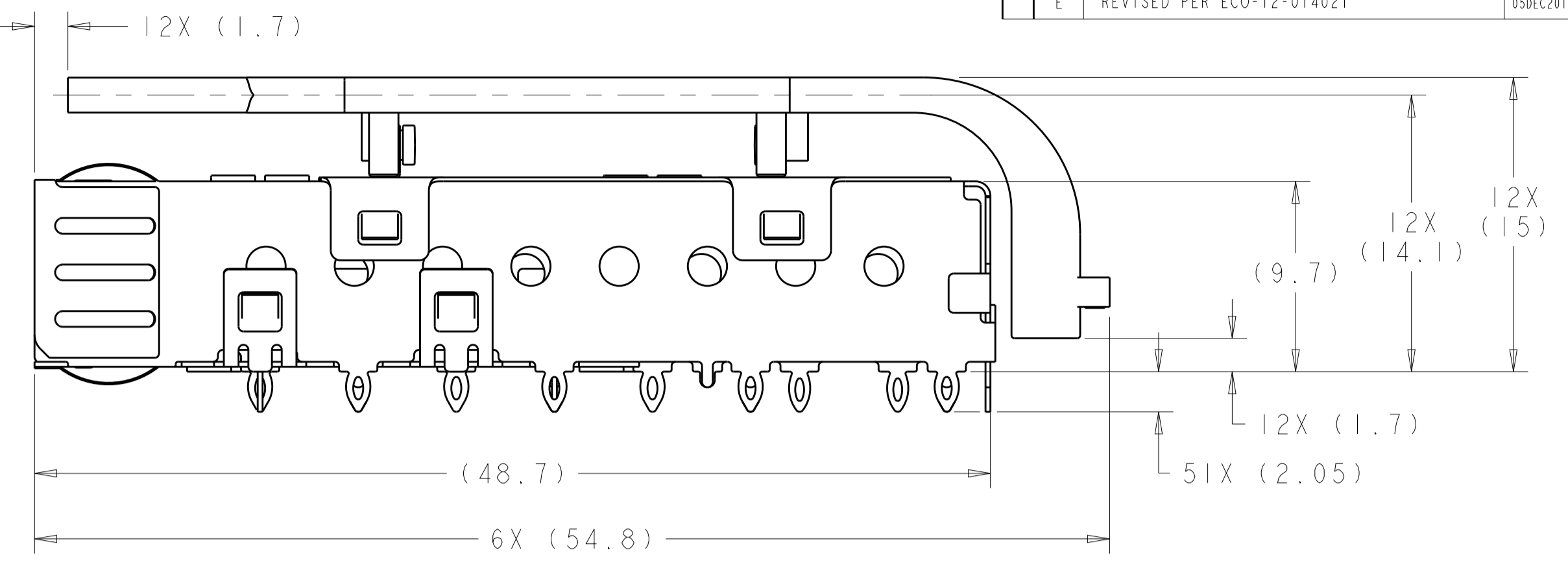
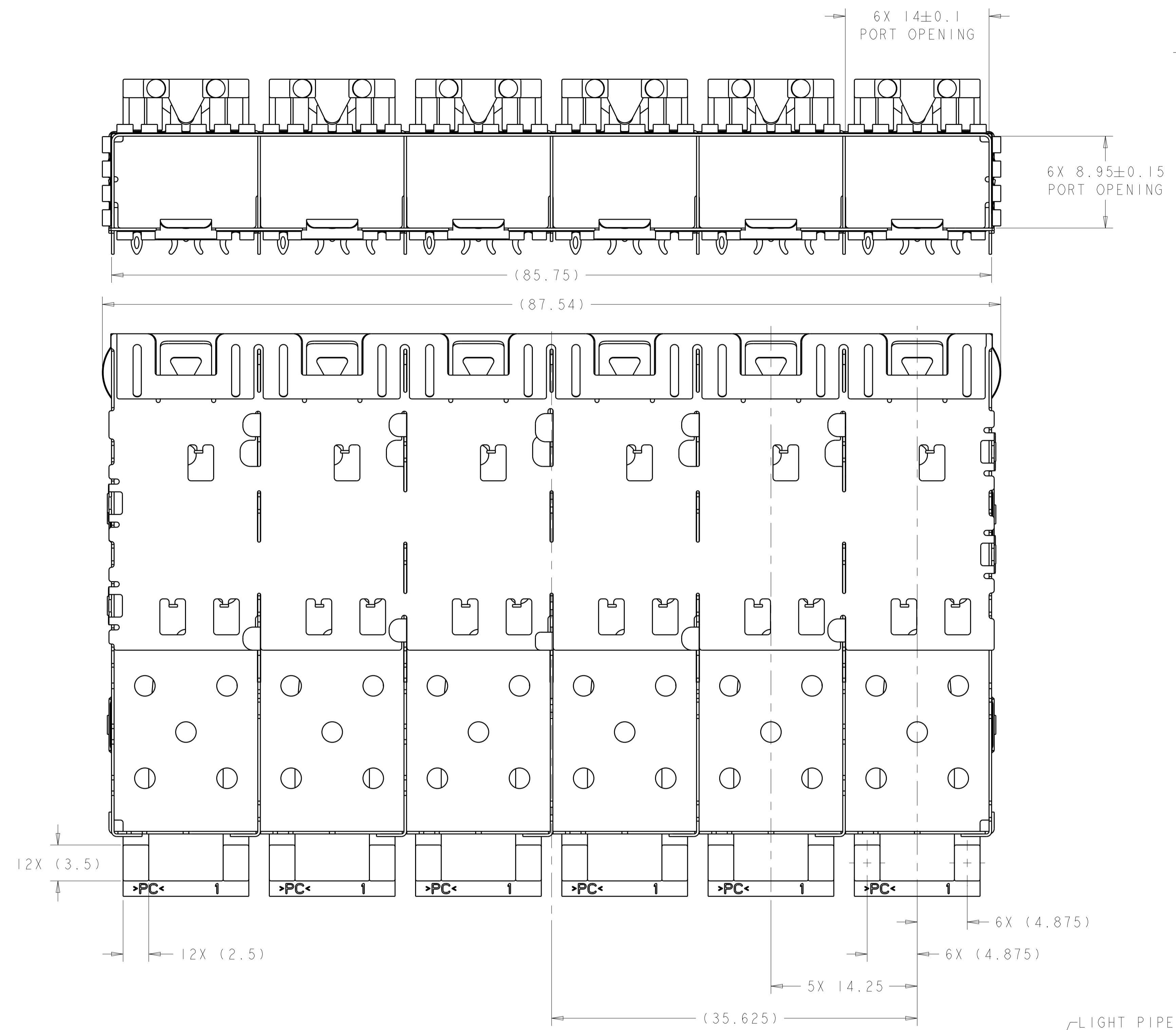
Tel: +86-755-8981 8866 Fax: +86-755-8427 6832

Email & Skype: info@chipsmall.com Web: www.chipsmall.com

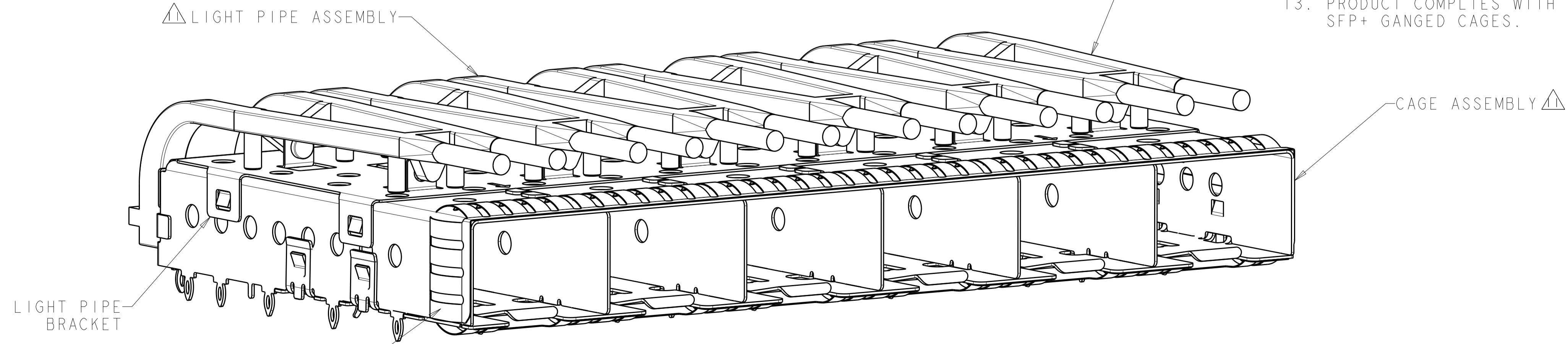
Address: A1208, Overseas Decoration Building, #122 Zhenhua RD., Futian, Shenzhen, China



LOC		DIST		REVISIONS			
GP	00	P	LTN	DESCRIPTION	DATE	DWN	APVD
		B		REVISED PER ECO-09-022874	20OCT2009	CR	MS
		C		REVISED PER ECO-10-004036	01MAR2010	CJV	MRS
		D		REVISED PER ECO-11-019224	10JAN2012	TX	AC
		E		REVISED PER ECO-12-014021	05DEC2012	TD	AC



- 1. MATERIAL:
 CAGE ASSEMBLY: 0.25mm THICK NICKEL SILVER ALLOY.
 LIGHT PIPE CLIP: STAINLESS STEEL
 LIGHT PIPE: POLYCARBONATE, CLEAR
- 2. FINISH:
 SPRINGS: MINIMUM OF 0.8um TIN PLATE OVER A MINIMUM OF 0.8um NICKEL UNDERPLATE.
 NON-PLATED EDGES PERMISSIBLE.
- 3. MATES WITH SFP MSA COMPLIANT TRANSCEIVERS.
- 4. PADS AND VIAS CHASSIS GROUND.
- 5. INTERPRETATION OF DATUM REFERENCE FRAME IN ACCORDANCE WITH SECT 4.4.1.1 OF ASME Y14.5M-1994.
- 6. MINIMUM PCB BOARD THICKNESS:
 SINGLE SIDED = 1.50
 DOUBLE SIDED = 2.25
- 7. HOLE PATTERN REPEATS FOR EACH PORT. SPACING BETWEEN PORTS IS 14.25mm.
- 8. DATUM AND BASIC DIMENSION ESTABLISHED BY CUSTOMER.
- 9. REFERENCE APPLICATION SPEC. 114-13120, HOLE A, FOR RECOMMENDED DRILL HOLE DIAMETER AND PLATING THICKNESS.
- 10. REFERENCE APPLICATION SPEC. 114-13120, HOLE B, FOR RECOMMENDED DRILL HOLE DIAMETER AND PLATING THICKNESS.
- 11. LIGHT PIPE ASSEMBLY SHIPPED UNASSEMBLED TO CAGE ASSEMBLY. CAGE ASSEMBLY TO BE PRESSED INTO THE PCB PRIOR TO ATTACHING THE LIGHT PIPE ASSEMBLY TO THE CAGE.
- 12. CERTAIN MATING TRANSCEIVERS MAY REQUIRE ADDITIONAL PCB THICKNESS THAT WOULD NEED TO BE DETERMINED BY THE CUSTOMER.
- 13. PRODUCT COMPLIES WITH SPECIFICATION SFF-8433 IMPROVED PLUGGABLE FORM FACTOR FOR SFP+ GANGED CAGES.



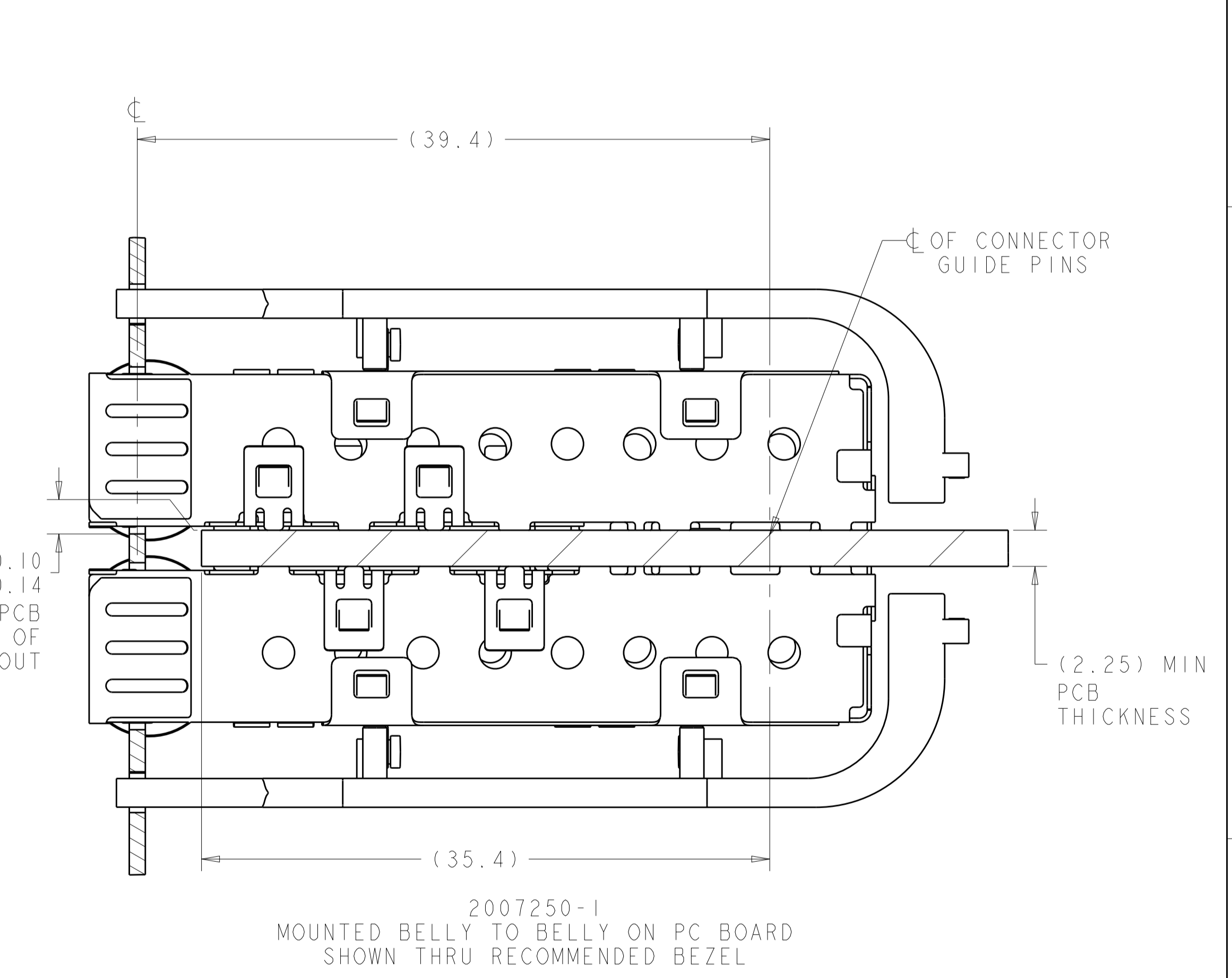
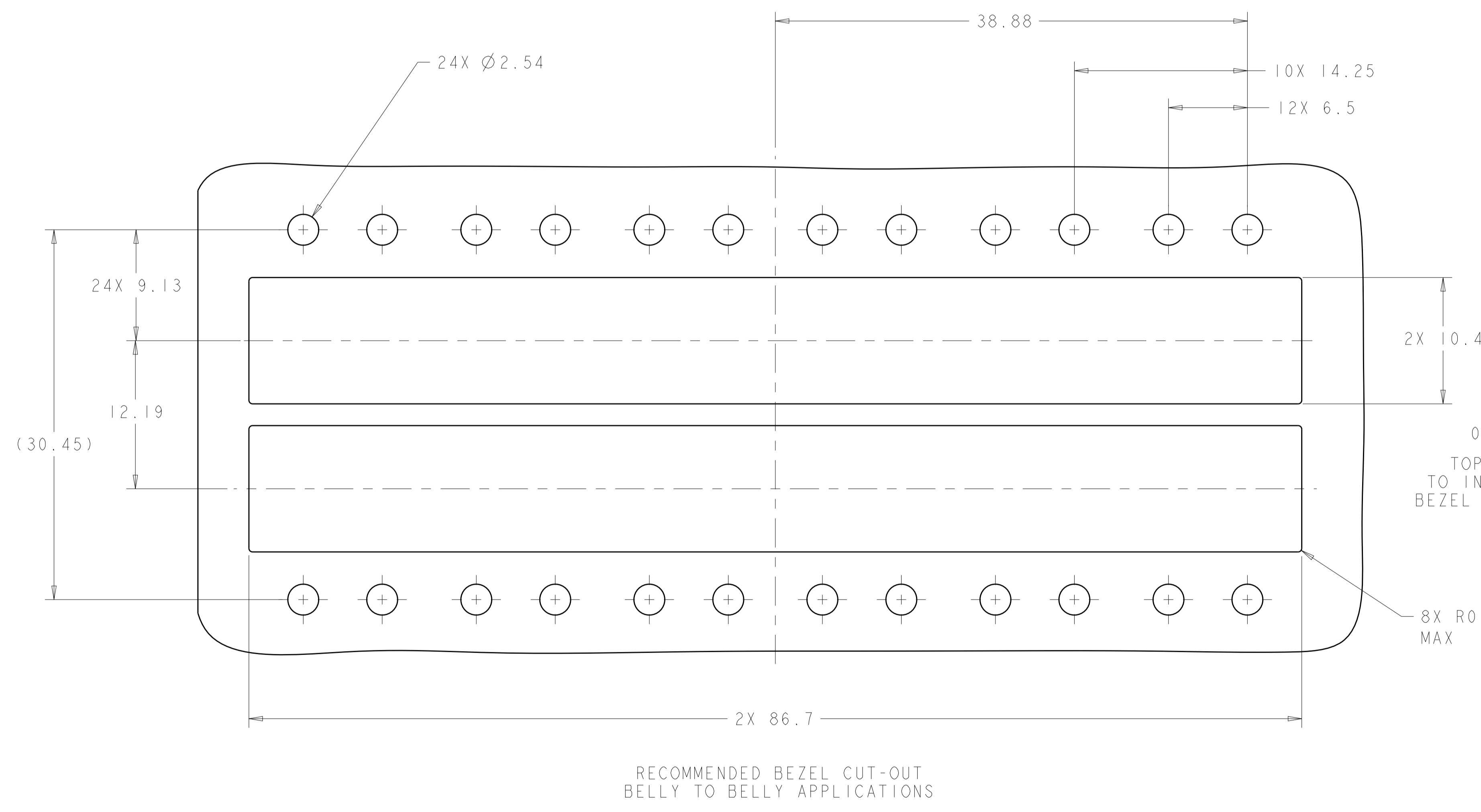
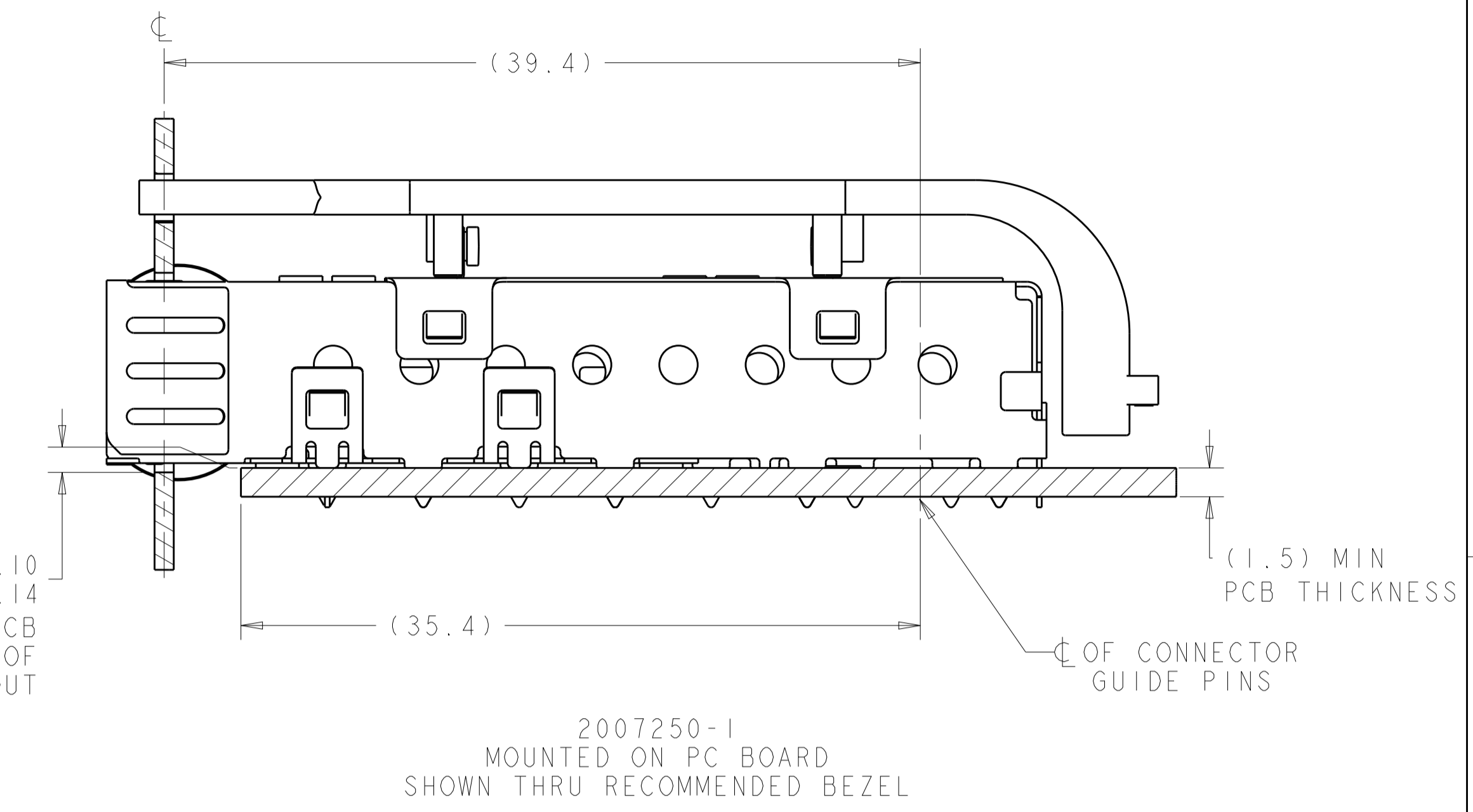
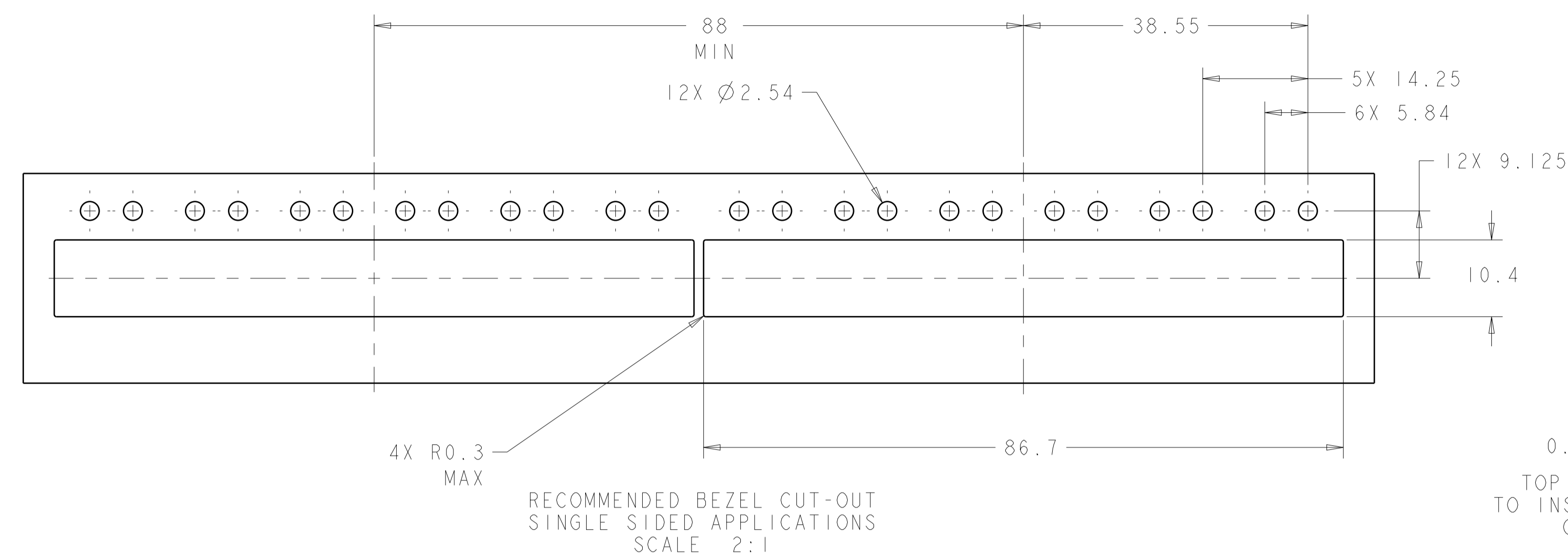
2007250-1
 FINISHED ASSEMBLY
 SCALE 4:1

2007250-1
 PART NUMBER

THIS DRAWING IS A CONTROLLED DOCUMENT.		DWN	Z. M. BEAM	17JUL2007	TE Connectivity NAME: SFP+ 1X6 CAGE ASSEMBLY PRESS FIT, EXTERNAL EMI SPRINGS WITH LIGHT PIPES
DIMENSIONS:		CHK	M. R. SCHMITT	17JUL2007	
mm		APVD	R. H. WERTZ	17JUL2007	
0 PLC ±0.1 1 PLC ±0.1 2 PLC ±0.1 3 PLC ±0.1 4 PLC ±0.1 ANGLES ±0.1°		TOLERANCES UNLESS OTHERWISE SPECIFIED:		PRODUCT SPEC 108-2364 APPLICATION SPEC 114-13120	
MATERIAL		FINISH		WEIGHT	SIZE
△		△		Customer Drawing	A100779C=2007250
				SCALE	4:1
				SHEET	1 OF 4
				REV	E

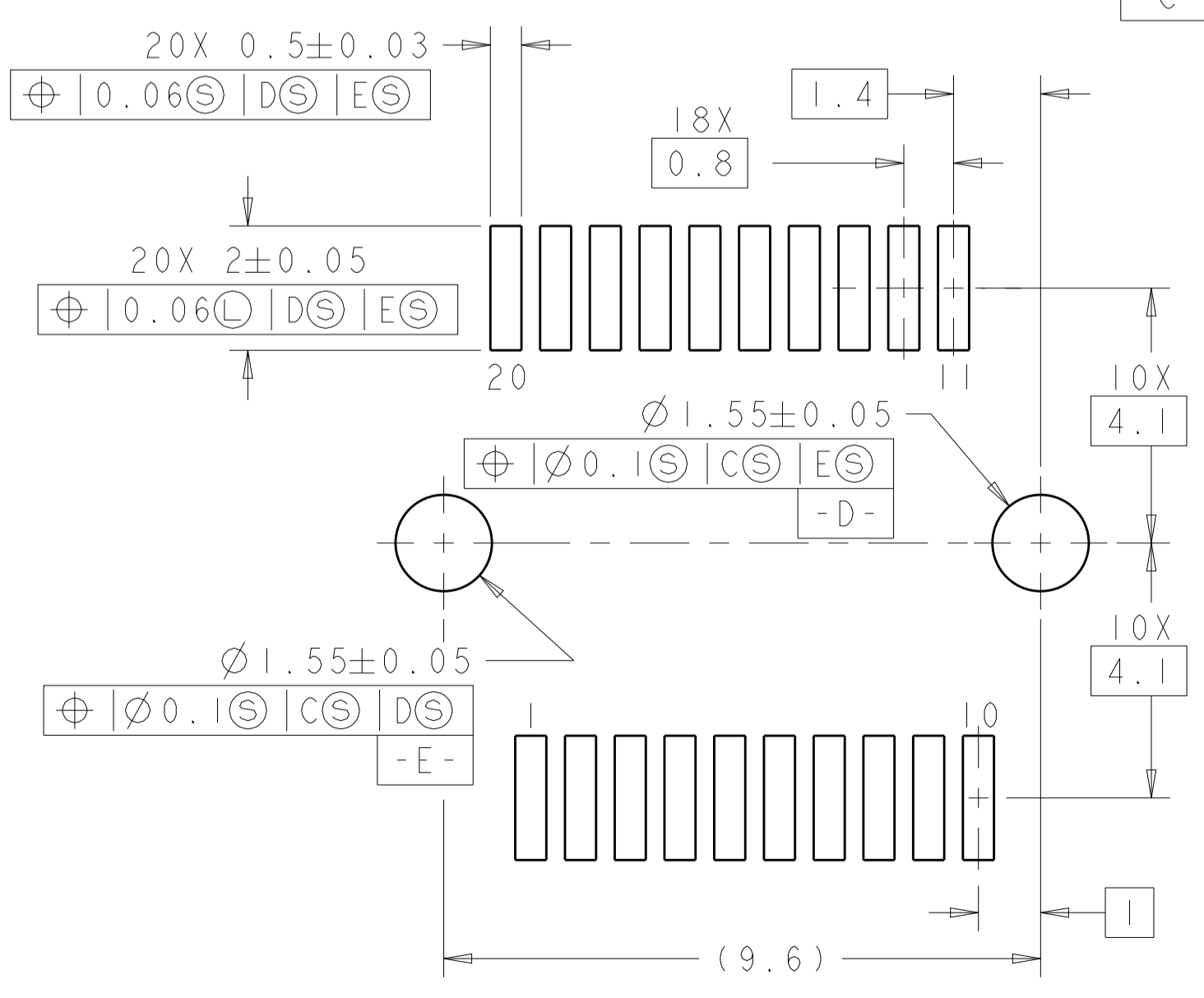
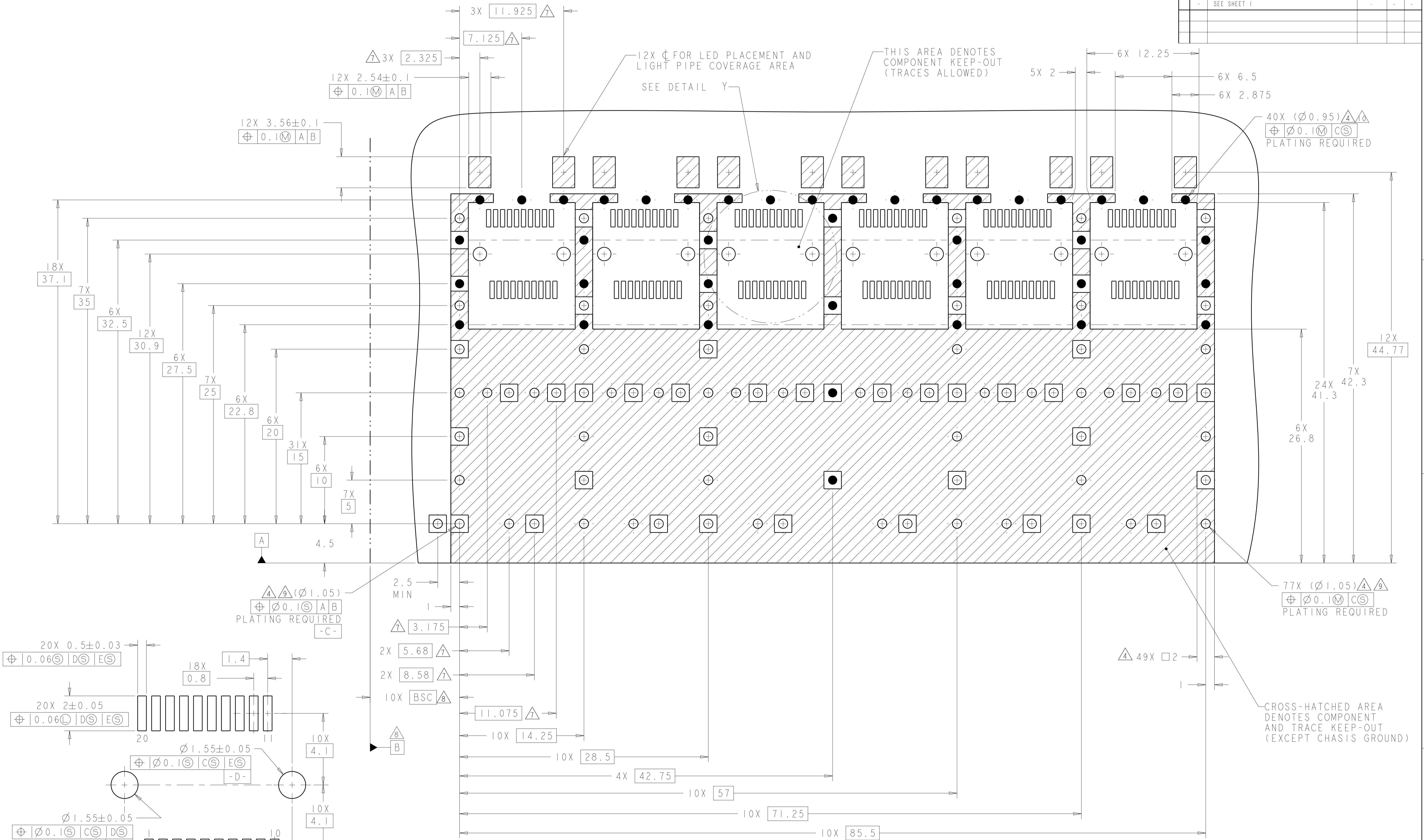
LOC	DIST	REV	DATE	BY	APPD
GP	00				

REVISIONS		DATE	BY	APPD
1	SEE SHEET 1			



THIS DRAWING IS A CONTROLLED DOCUMENT.		OWN	Z. M. BEAM	17 JUL 2007
DIMENSIONS:		CHK	M. R. SCHMITT	17 JUL 2007
mm	TOLERANCES UNLESS OTHERWISE SPECIFIED:	APPD	B. H. WERTZ	17 JUL 2007
	0 PLC	NAME		
	1 PLC	SFP+ 1X6 CAGE ASSEMBLY		
	2 PLC	PRESS FIT, EXTERNAL EMI SPRINGS		
	3 PLC	WITH LIGHT PIPES		
	4 PLC	PRODUCT SPEC		
	ANGLES	108-2364		
	FINISH	APPLICATION SPEC		
MATERIAL		SIZE	CAGE CODE	DRAWING NO
		114-13120	A100779	C=2007250
		WEIGHT	RESTRICTED TO	
			Customer Drawing	
		SCALE	SHEET	REV
		4:1	2 OF 4	E

LOC	DIST	REV	DATE	APPD	REVISED
GP	00				
		DESCRIPTION		DATE	DWN
		SEE SHEET 1			



RECOMMENDED PC BOARD CONFIGURATION
 WITH KEEP-OUT AREAS
 BELLY TO BELLY APPLICATIONS Δ
 SCALE 5:1

THIS DRAWING IS A CONTROLLED DOCUMENT.		DWN: Z.M.BEAM 17JUL2007	TE Connectivity
DIMENSIONS: mm		CHK: M.B.SCHMITT 17JUL2007	
TOLERANCES UNLESS OTHERWISE SPECIFIED:		APVD: B.H.WERTZ 17JUL2007	NAME: SFP+ 1X6 CAGE ASSEMBLY PRESS FIT, EXTERNAL EMI SPRINGS WITH LIGHT PIPES
0 PLC \pm 0.1	1 PLC \pm 0.1	PRODUCT SPEC: 108-2364	SIZE: CAGE CODE DRAWING NO: A100779C=2007250
2 PLC \pm 0.1	3 PLC \pm 0.1	APPLICATION SPEC: 114-13120	RESTRICTED TO: -
4 PLC \pm 0.1	ANGLES \pm 0.1	WEIGHT: -	SCALE: 4:1 SHEET 4 OF 4 REV E
MATERIAL: -	FINISH: -	Customer Drawing	