



Chipsmall Limited consists of a professional team with an average of over 10 year of expertise in the distribution of electronic components. Based in Hongkong, we have already established firm and mutual-benefit business relationships with customers from,Europe,America and south Asia,supplying obsolete and hard-to-find components to meet their specific needs.

With the principle of “Quality Parts,Customers Priority,Honest Operation,and Considerate Service”,our business mainly focus on the distribution of electronic components. Line cards we deal with include Microchip,ALPS,ROHM,Xilinx,Pulse,ON,Everlight and Freescale. Main products comprise IC,Modules,Potentiometer,IC Socket,Relay,Connector.Our parts cover such applications as commercial,industrial, and automotives areas.

We are looking forward to setting up business relationship with you and hope to provide you with the best service and solution. Let us make a better world for our industry!



## Contact us

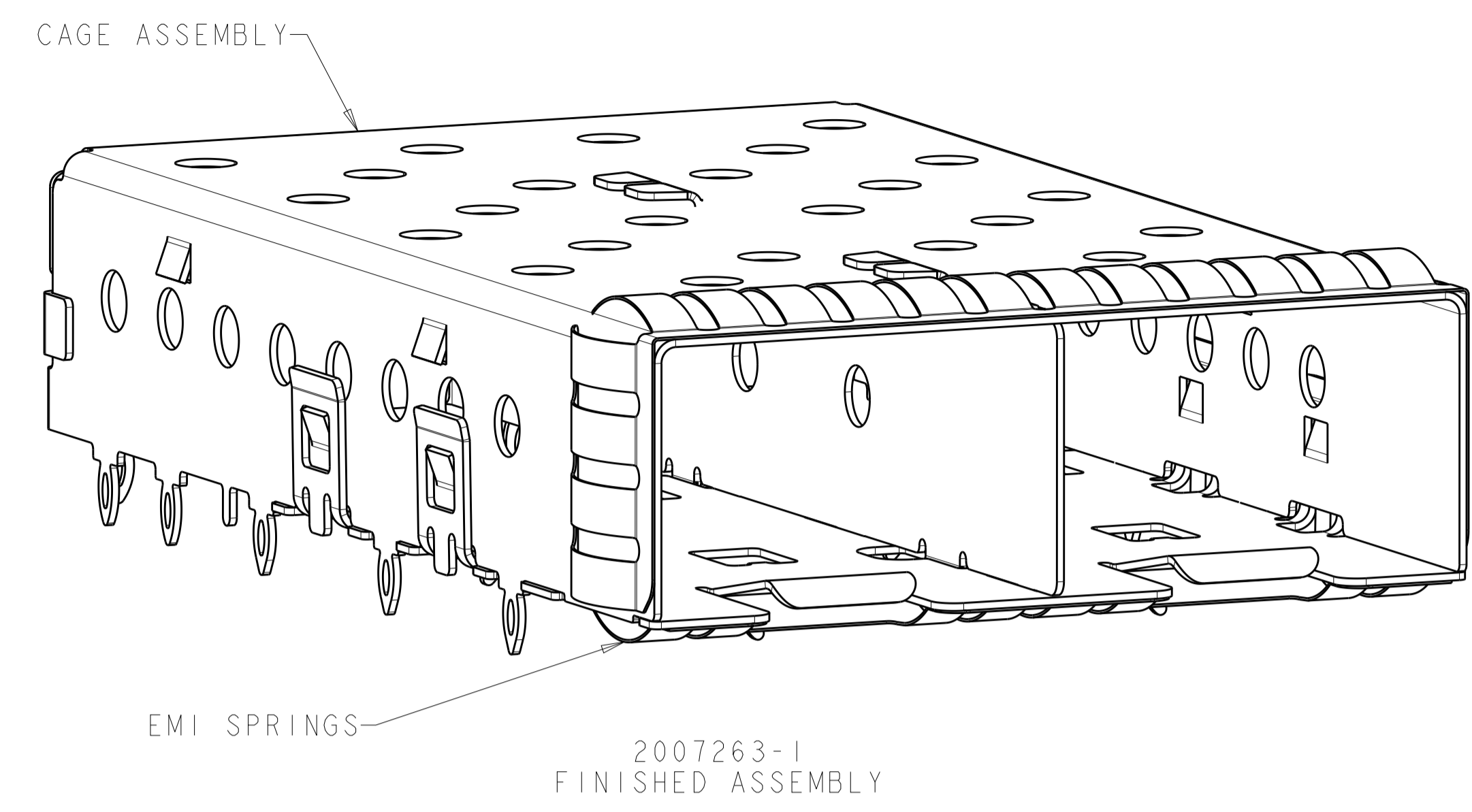
Tel: +86-755-8981 8866 Fax: +86-755-8427 6832

Email & Skype: info@chipsmall.com Web: www.chipsmall.com

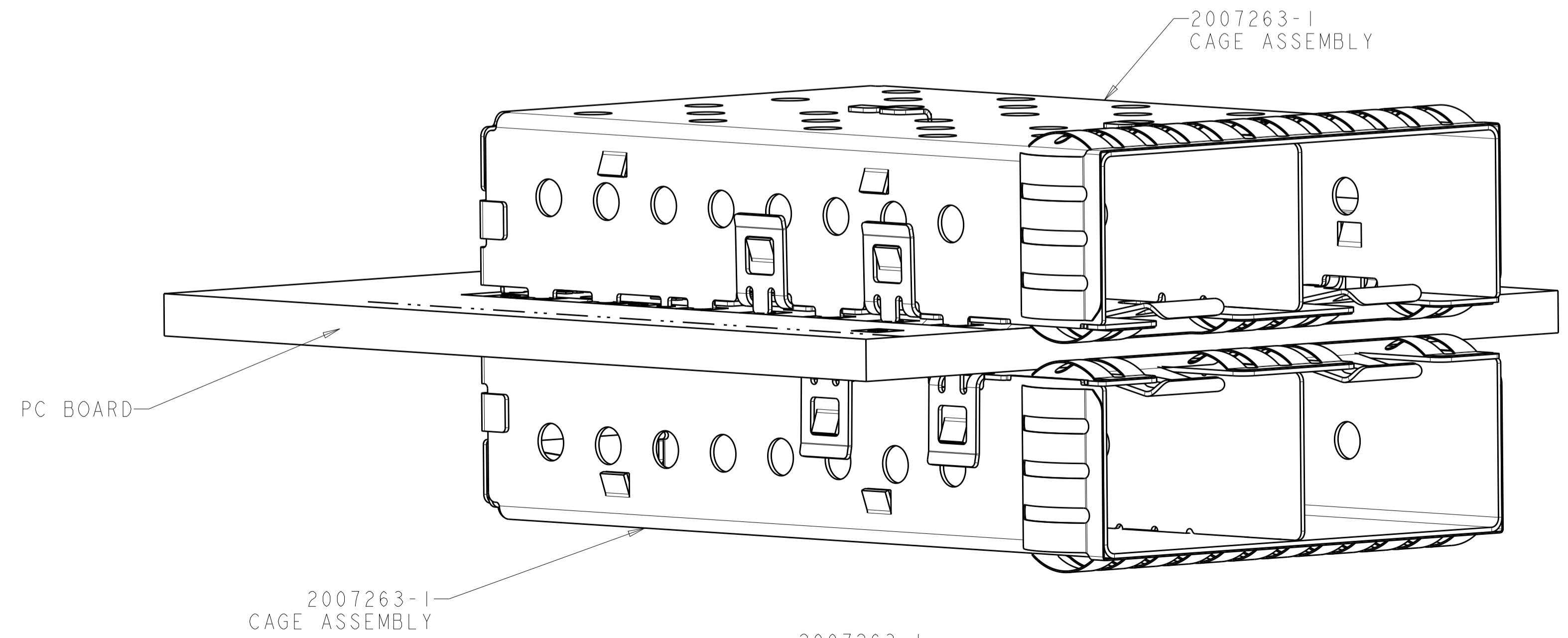
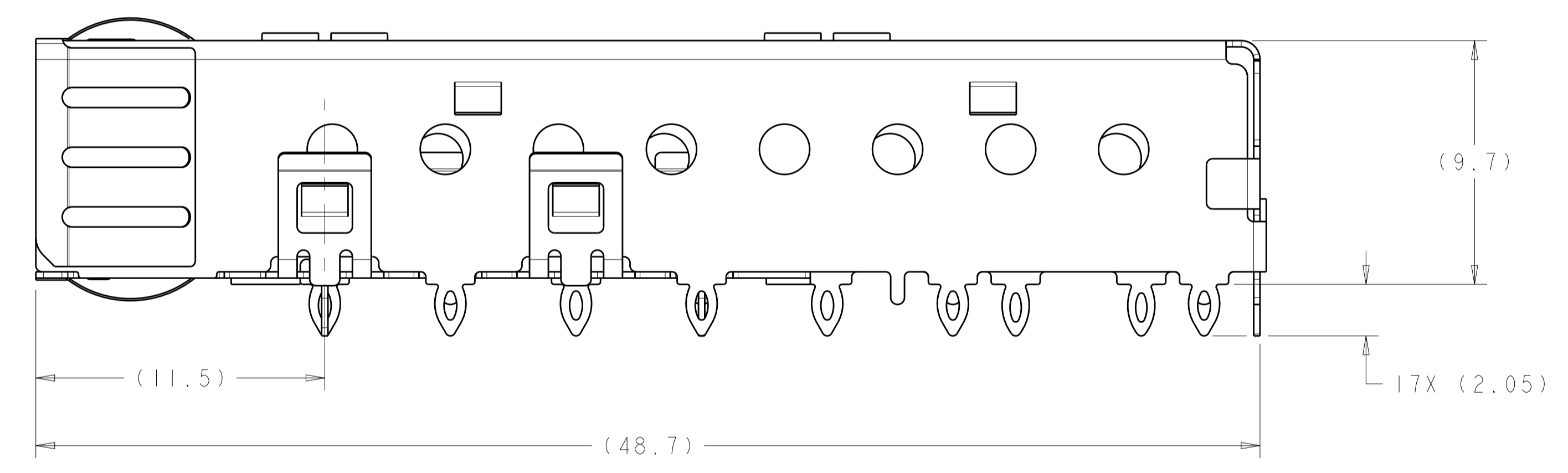
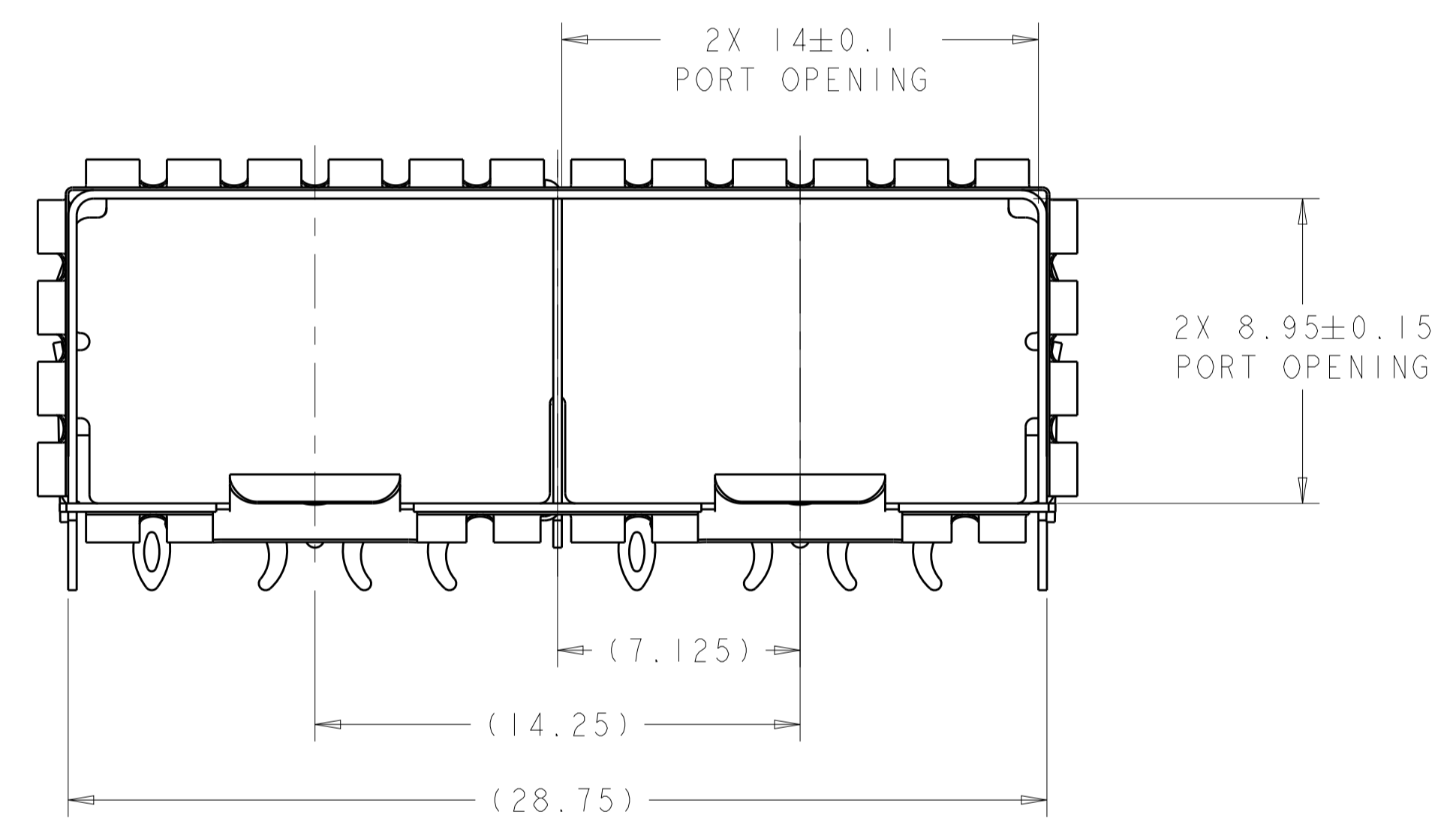
Address: A1208, Overseas Decoration Building, #122 Zhenhua RD., Futian, Shenzhen, China



LOC	DIST	REVISIONS					
GP	00	P	LTN	DESCRIPTION	DATE	DWN	APVD
		B1		REVISED PER ECO-11-004835	11MAR2011	RK	HMR
		C		REVISED PER ECO-11-024172	07DEC2011	TX	AC
		D		REVISED PER ECO-12-014021	10DEC2012	TD	AC



- 1. MATERIAL: CAGE ASSEMBLY: 0.25mm THICK NICKEL SILVER ALLOY  
EMI SPRINGS: COPPER ALLOY
- 2. FINISH:  
SPRINGS - MINIMUM OF 0.8um MATTE TIN PLATED OVER A MINIMUM OF 0.8um NICKEL UNDERPLATE.  
NON-PLATED EDGES PERMISSIBLE.
- 3. MATES WITH SFP MSA COMPLIANT TRANSCEIVERS.
- 4. PADS AND VIAS CHASSIS GROUND.
- 5. INTERPRETATION OF DATUM REFERENCE FRAME IN ACCORDANCE WITH SECT 4.4.1.1 OF ASME Y14.5M-1994.
- 6. MINIMUM PC BOARD THICKNESS:  
SINGLE SIDED = 1.50  
DOUBLE SIDED = 2.25
- 7. HOLE PATTERN REPEATS FOR EACH PORT, SPACING BETWEEN PORTS IS 14.25mm.
- 8. DATUM AND BASIC DIMENSION ESTABLISHED BY CUSTOMER.
- 9. REFERENCE APPLICATION SPEC. 114-13120, HOLE A, FOR RECOMMENDED DRILL HOLE DIAMETER AND PLATING THICKNESS.
- 10. REFERENCE APPLICATION SPEC. 114-13120, HOLE B, FOR RECOMMENDED DRILL HOLE DIAMETER AND PLATING THICKNESS.
- 11. CERTAIN MATING TRANSCEIVERS MAY REQUIRE ADDITIONAL PCB THICKNESS THAT WOULD NEED TO BE DETERMINED BY THE CUSTOMER.
- 12. PRODUCT COMPLIES WITH SPECIFICATION SFF-8433 IMPROVED PLUGGABLE FORM FACTOR FOR SFP+ GANGED CAGES.

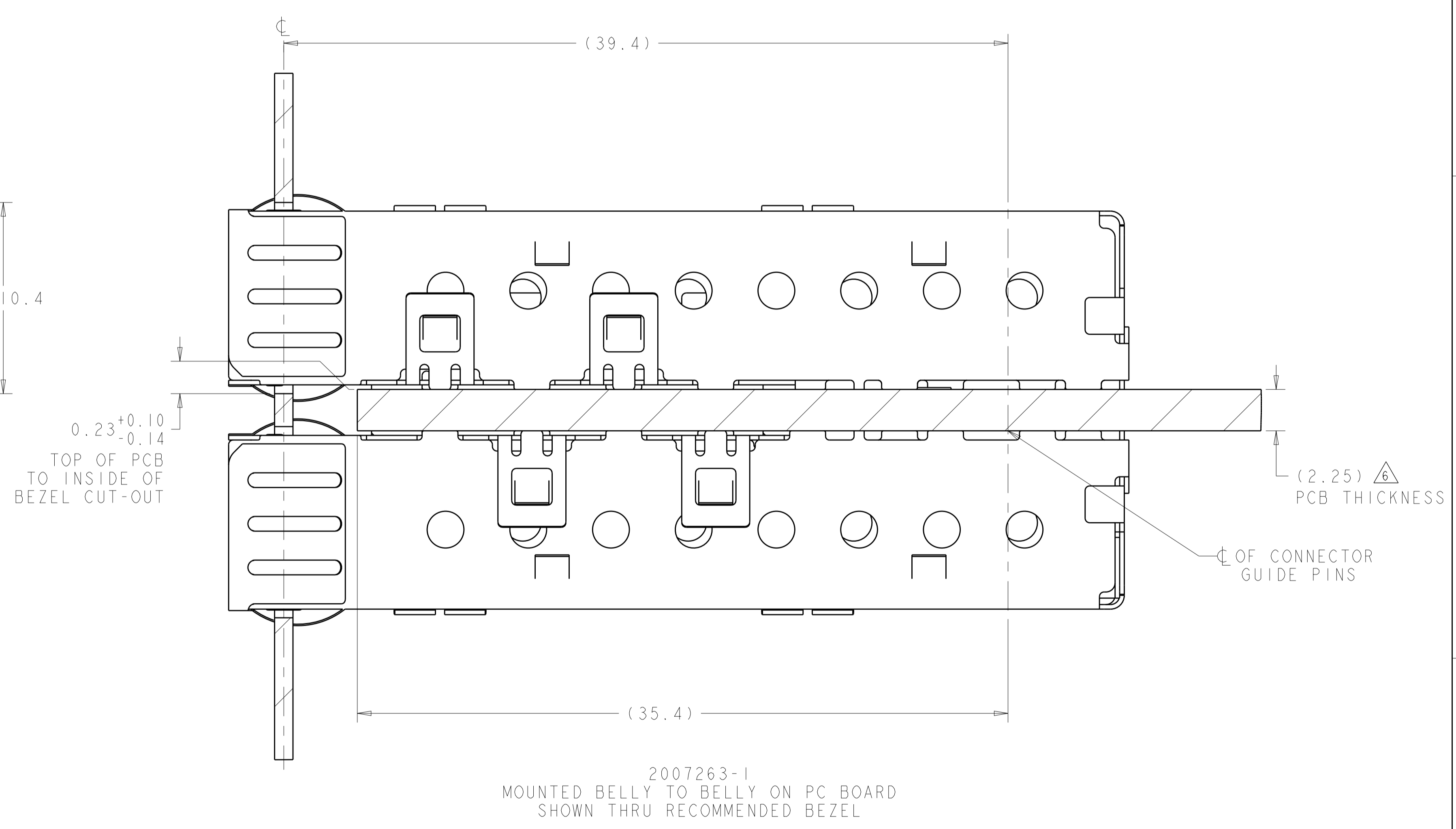
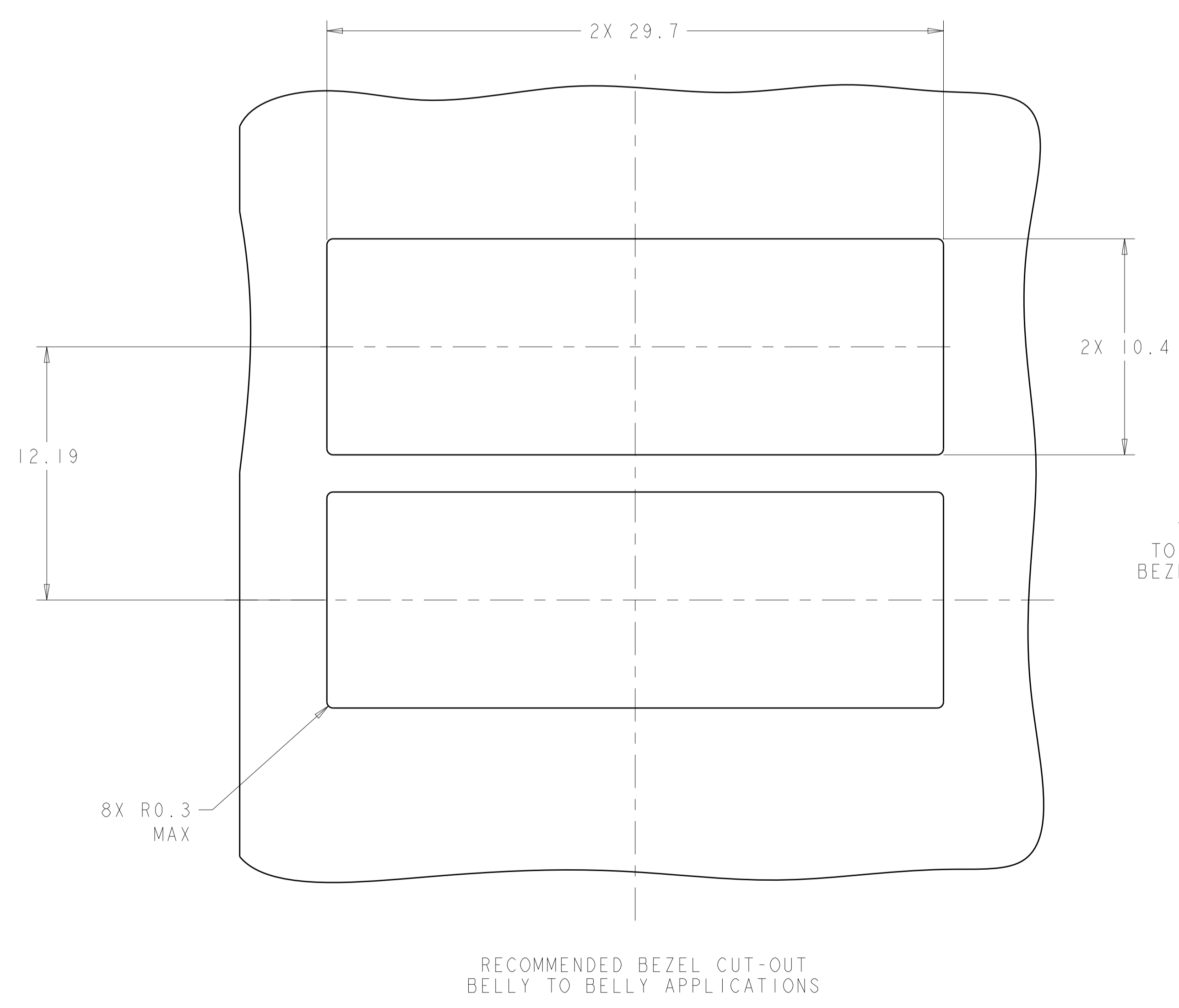
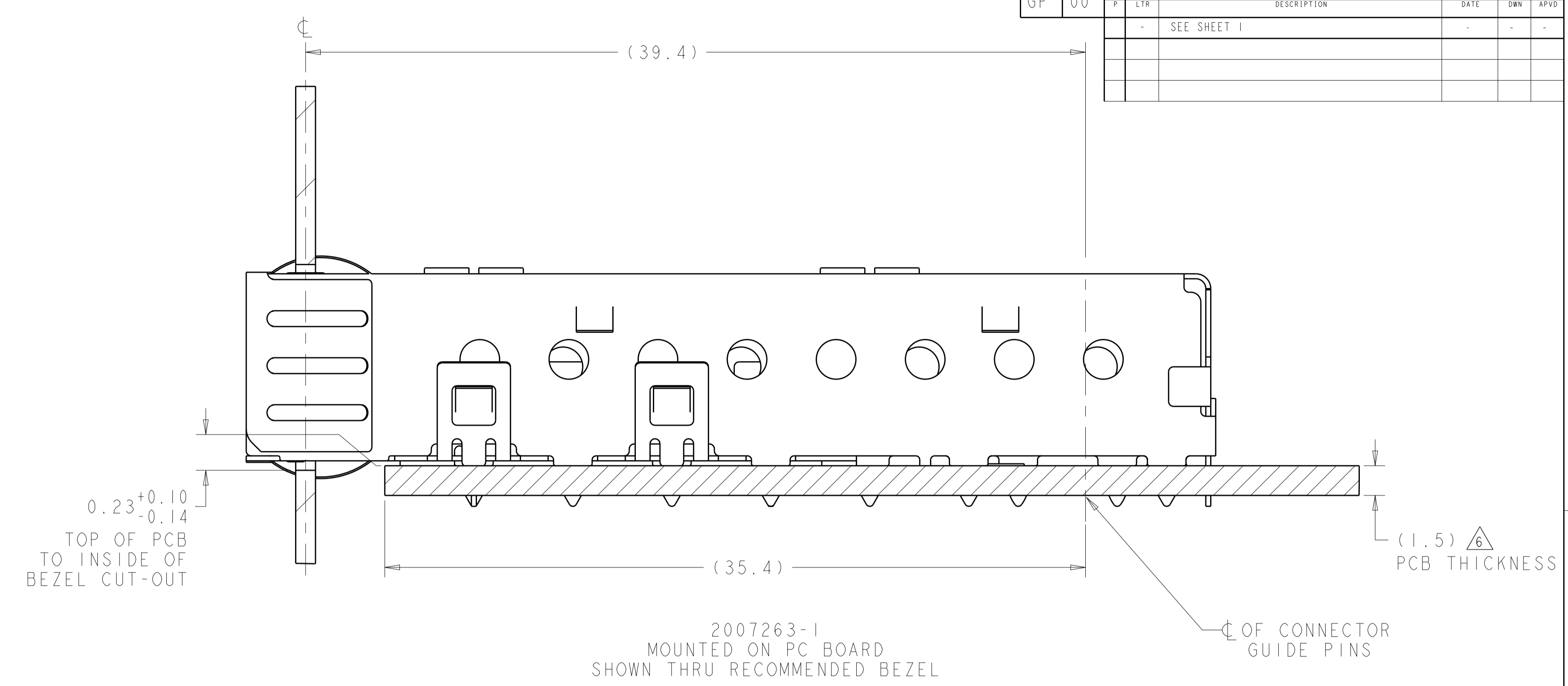
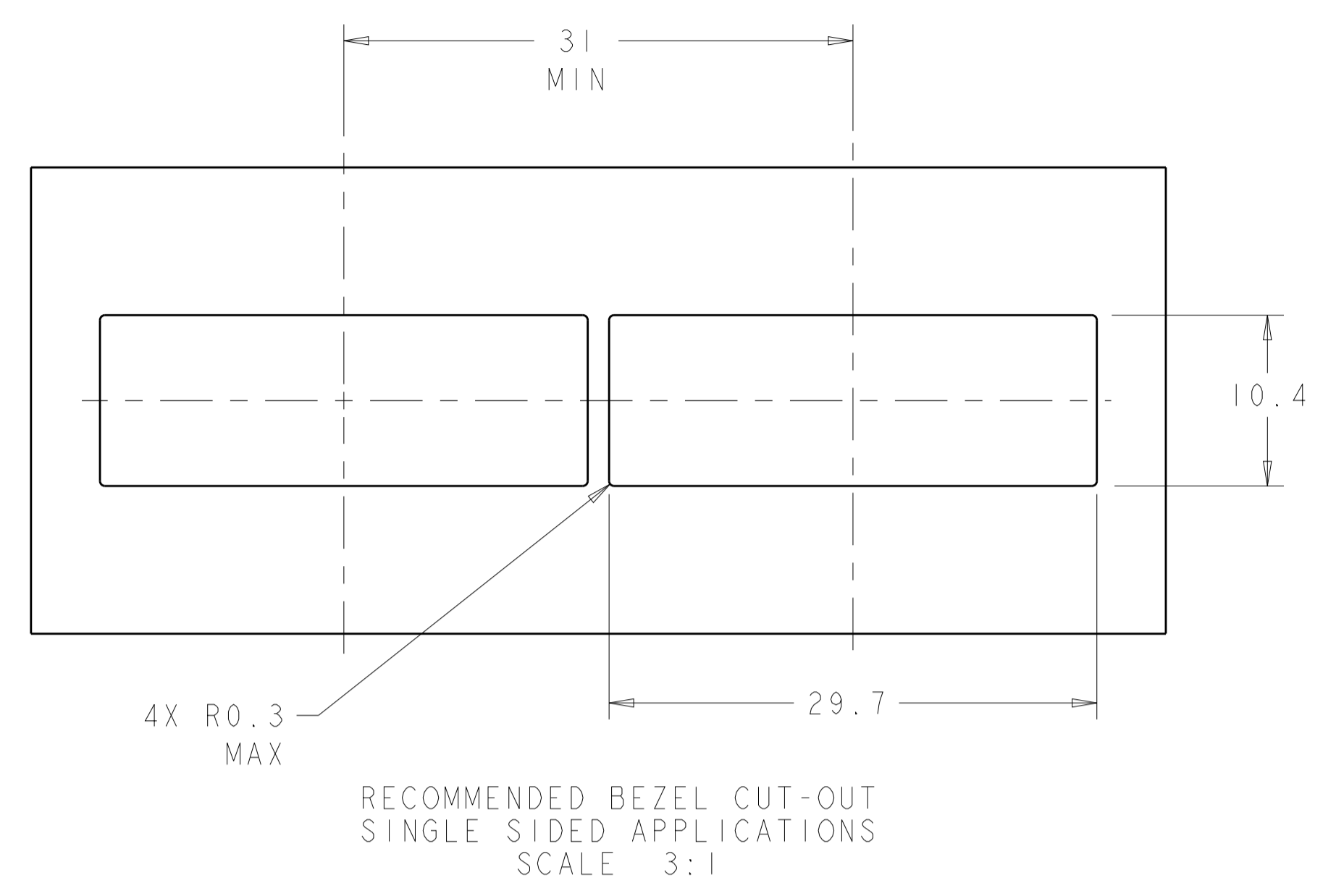


2007263-1  
MOUNTED BELLY TO BELLY ON PC BOARD  
SCALE 5:1

2007263-1  
PART NUMBER

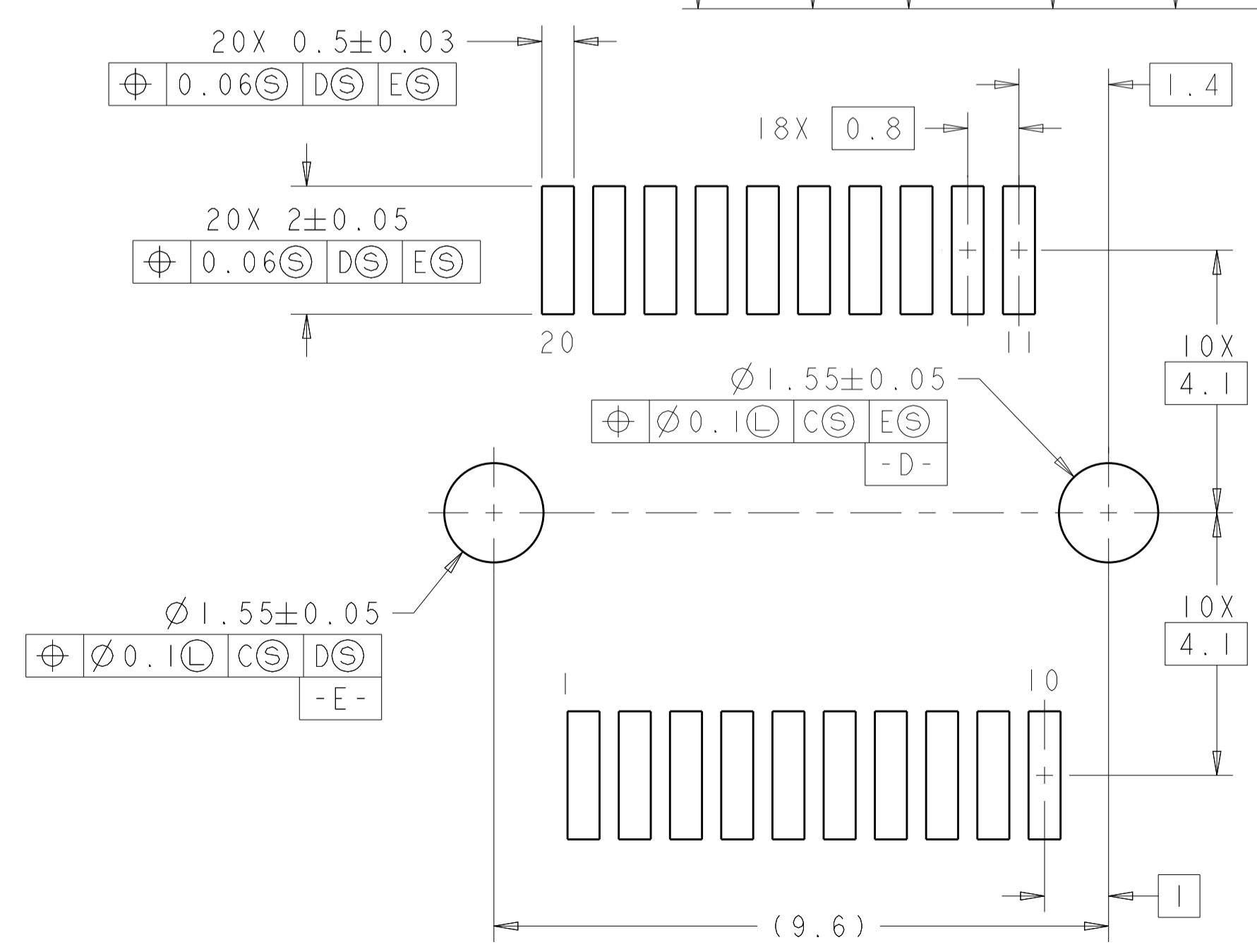
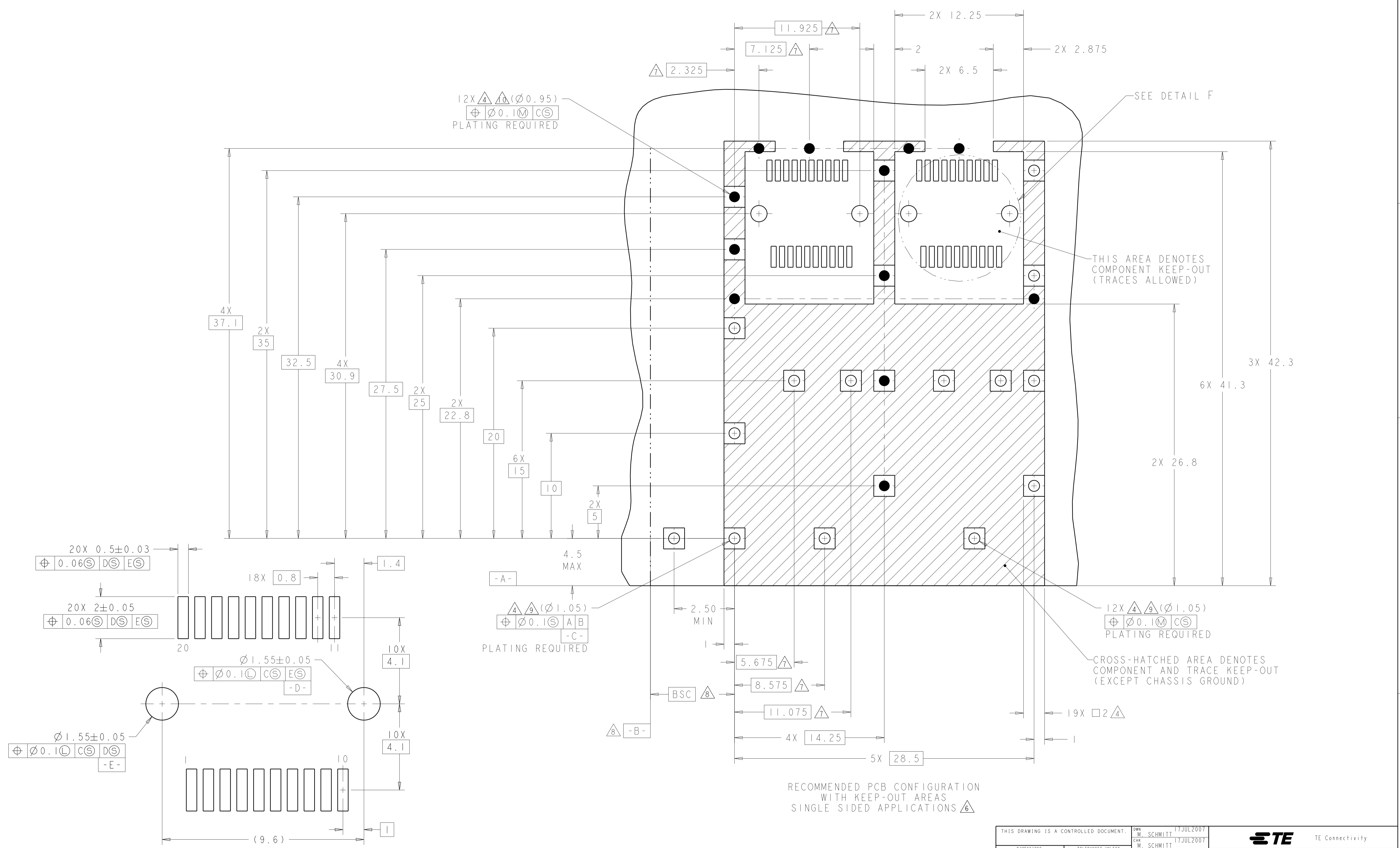
THIS DRAWING IS A CONTROLLED DOCUMENT.		DWN M. SCHMITT 17JUL2007	TE Connectivity	
DIMENSIONS:		CHK M. SCHMITT 17JUL2007	NAME	
mm	TOLERANCES UNLESS OTHERWISE SPECIFIED:	APVD B. WERTZ 17JUL2007	SFP+ 1X2 CAGE ASSEMBLY PRESS FIT, EXTERNAL EMI SPRINGS	
0 PLC	±0.1	PRODUCT SPEC	SIZE CAGE CODE DRAWING NO	
1 PLC	±0.1	108-2364	RESTRICTED TO	
2 PLC	±0.1	APPLICATION SPEC	A100779C=2007263	
3 PLC	±0.1	114-13120	Customer Drawing	
4 PLC	±0.1	WEIGHT	SCALE 6:1 SHEET 1 OF 4 REV D	
ANGLES	±1°			
MATERIAL	FINISH			

LOC		DIST		REVISIONS				
GP	00	P	LTN	DESCRIPTION	DATE	DMN	APVD	
-	-	-	-	SEE SHEET 1	-	-	-	



THIS DRAWING IS A CONTROLLED DOCUMENT.		DMN M. SCHMITT 17JUL2007	TE Connectivity
DIMENSIONS: mm		CHK M. SCHMITT 17JUL2007	
TOLERANCES UNLESS OTHERWISE SPECIFIED:		APVD B. WERTZ 17JUL2007	NAME SFP+ 1X2 CAGE ASSEMBLY
0 PLC	±0.1	PRODUCT SPEC	108-2364
1 PLC	±0.1	APPLICATION SPEC	114-13120
2 PLC	±0.1	WEIGHT	A100779C=2007263
3 PLC	±0.1	Customer Drawing	SCALE 6:1 SHEET 2 OF 4 REV D
4 PLC	±0.1		
ANGLES	±1°		
FINISH			

LOC		DIST		REVISONS			
GP	00	P	LTN	DESCRIPTION	DATE	DWN	APVD
				SEE SHEET 1			

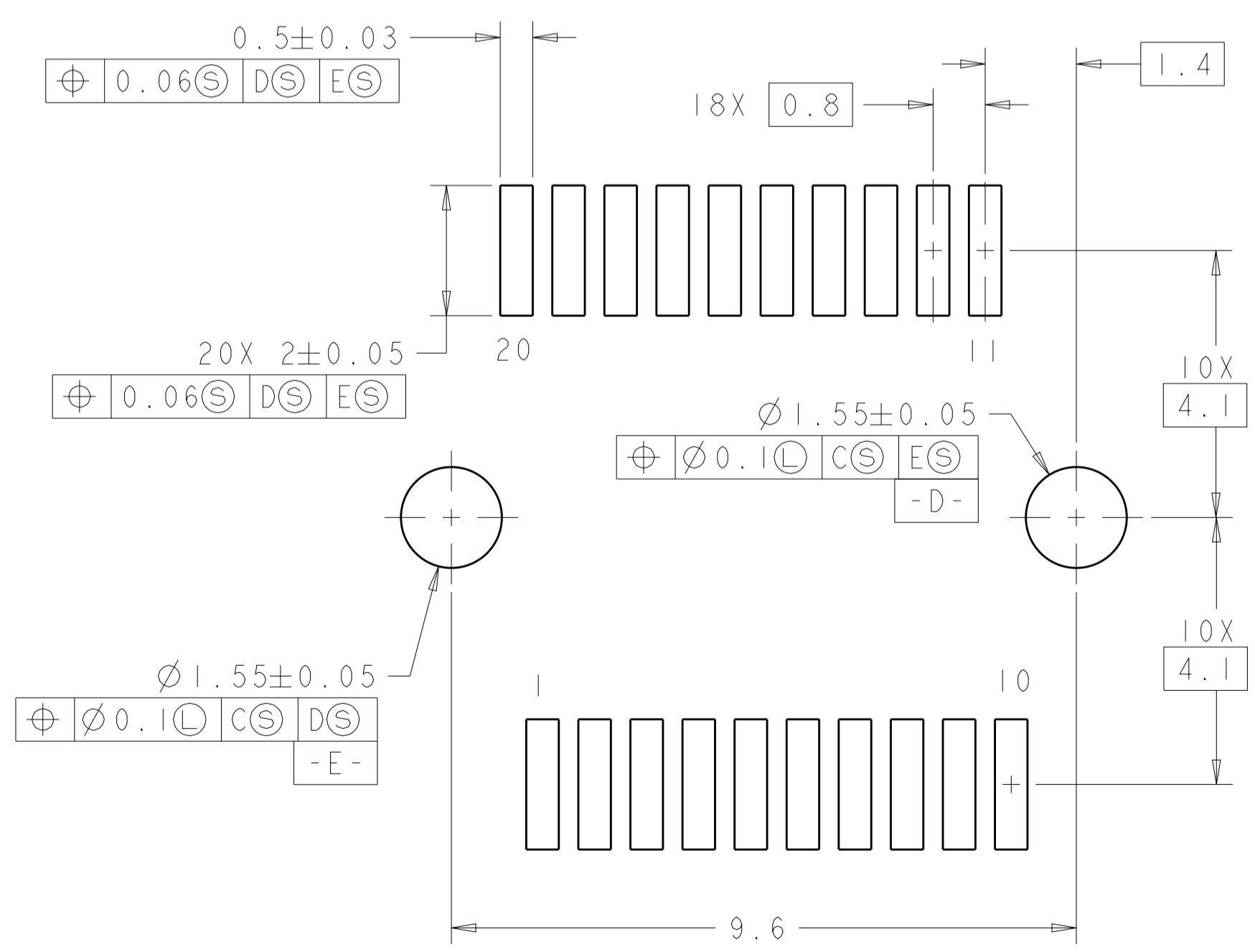
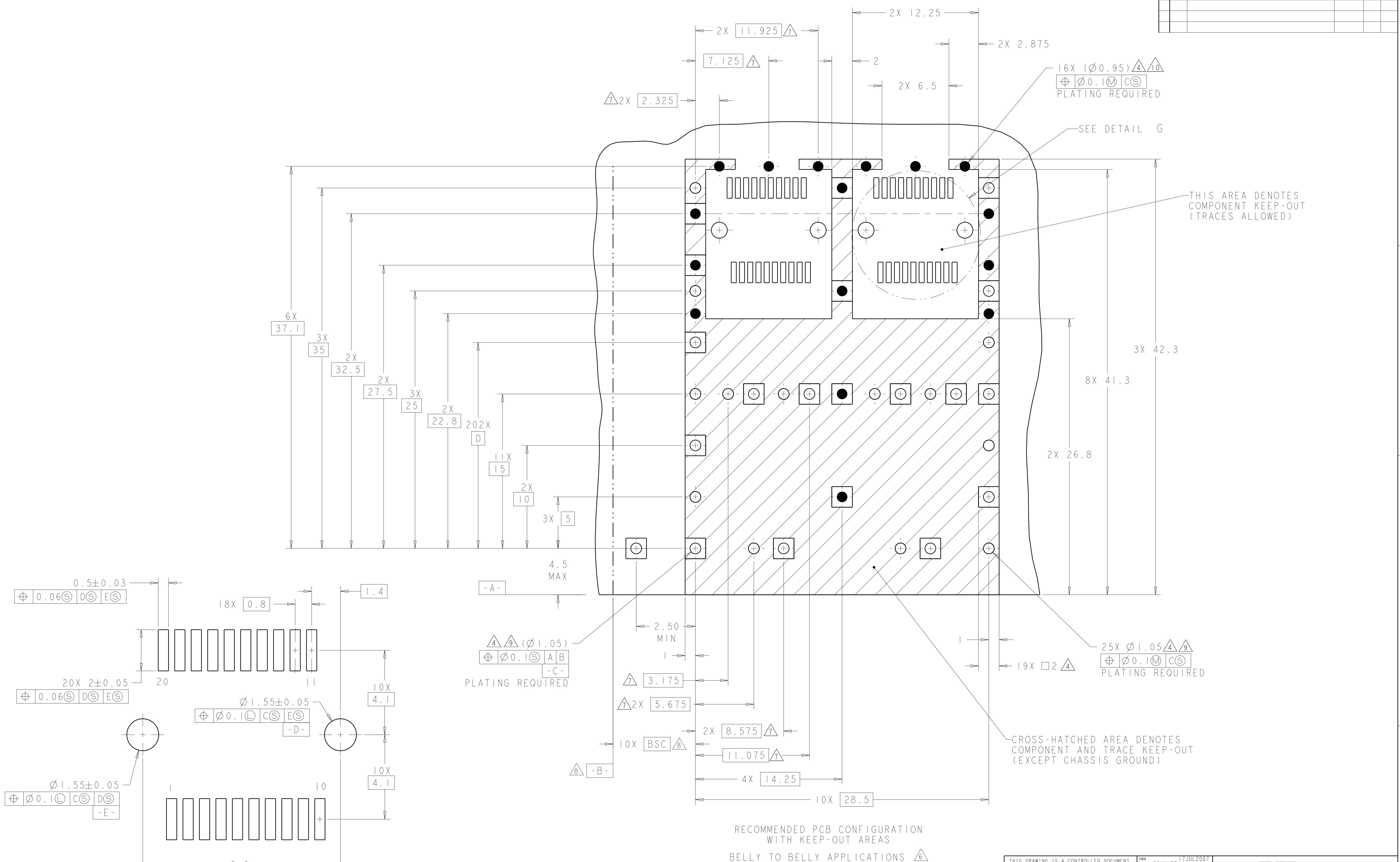


DETAIL F  
 RECOMMENDED PT CONNECTOR LAYOUT  
 2X INDIVIDUALLY  
 SCALE 12:1

RECOMMENDED PCB CONFIGURATION  
 WITH KEEP-OUT AREAS  
 SINGLE SIDED APPLICATIONS

THIS DRAWING IS A CONTROLLED DOCUMENT.		DWN M. SCHMITT 17JUL2007	TE Connectivity NAME SFP+ 1X2 CAGE ASSEMBLY PRESS FIT, EXTERNAL EMI SPRINGS
DIMENSIONS:		CHK M. SCHMITT 17JUL2007	
TOLERANCES UNLESS OTHERWISE SPECIFIED:		APVD B. WERTZ 17JUL2007	PRODUCT SPEC
mm			108-2364
0 PLC ±0.1			APPLICATION SPEC
1 PLC ±0.1			114-13120
2 PLC ±0.1			WEIGHT
3 PLC ±0.1			Customer Drawing
4 PLC ±0.1			SCALE 6:1
ANGLES ±1°			SHEET 3 OF 4
FINISH			REV D

LOC	DIST	REVISIONS					
GP	00	P	LTN	DESCRIPTION	DATE	DMN	APVD
		-		SEE SHEET 1			



DETAIL G  
 RECOMMENDED PT CONNECTOR LAYOUT  
 4X INDIVIDUALLY  
 SCALE 12:1

RECOMMENDED PCB CONFIGURATION  
 WITH KEEP-OUT AREAS  
 BELLY TO BELLY APPLICATIONS

THIS DRAWING IS A CONTROLLED DOCUMENT.		DMN M. SCHMITT 17JUL2007	TE Connectivity NAME SFP+ 1X2 CAGE ASSEMBLY PRESS FIT, EXTERNAL EMI SPRINGS
DIMENSIONS: mm		CHK M. SCHMITT 17JUL2007	
TOLERANCES UNLESS OTHERWISE SPECIFIED:		APVD B. WERTZ 17JUL2007	PRODUCT SPEC
0 PLC ±0.1			108-2364
1 PLC ±0.1			APPLICATION SPEC
2 PLC ±0.1			114-13120
3 PLC ±0.1			WEIGHT
4 PLC ±0.1			Customer Drawing
ANGLES ±1°			SCALE 6:1
FINISH			SHEET 4 OF 4
			REV D