



Chipsmall Limited consists of a professional team with an average of over 10 year of expertise in the distribution of electronic components. Based in Hongkong, we have already established firm and mutual-benefit business relationships with customers from,Europe,America and south Asia,supplying obsolete and hard-to-find components to meet their specific needs.

With the principle of "Quality Parts,Customers Priority,Honest Operation,and Considerate Service",our business mainly focus on the distribution of electronic components. Line cards we deal with include Microchip,ALPS,ROHM,Xilinx,Pulse,ON,Everlight and Freescale. Main products comprise IC,Modules,Potentiometer,IC Socket,Relay,Connector.Our parts cover such applications as commercial,industrial, and automotives areas.

We are looking forward to setting up business relationship with you and hope to provide you with the best service and solution. Let us make a better world for our industry!



## Contact us

Tel: +86-755-8981 8866 Fax: +86-755-8427 6832

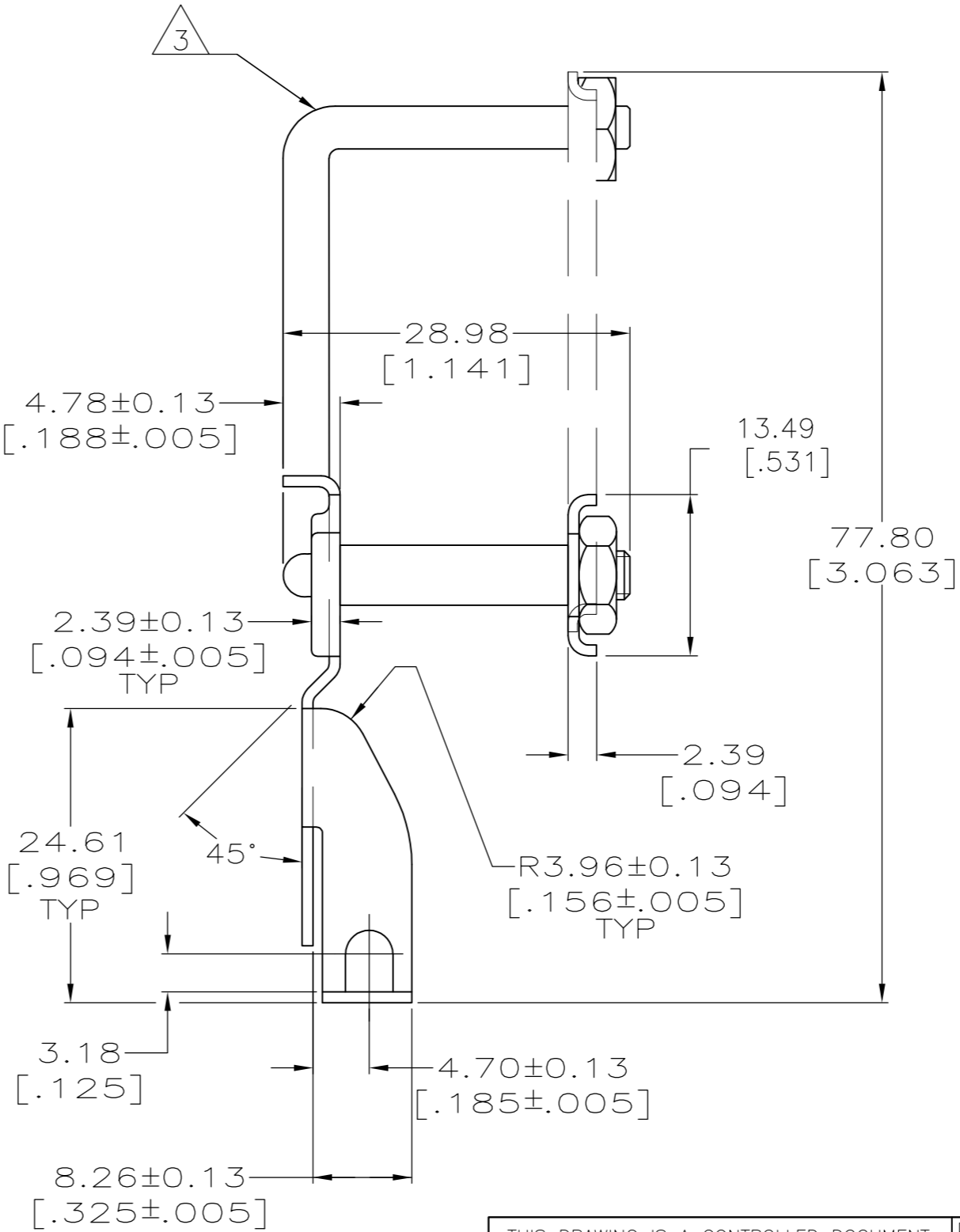
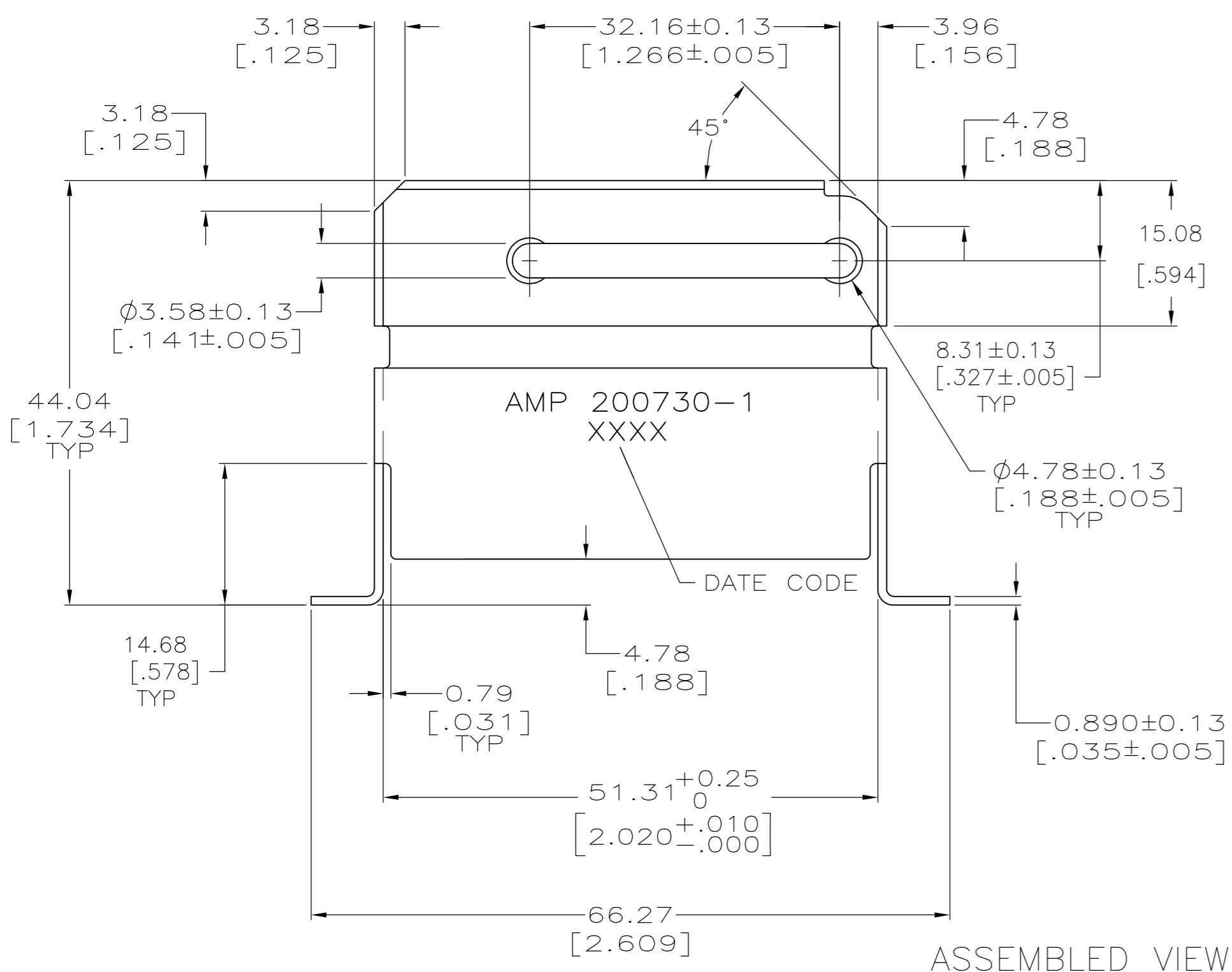
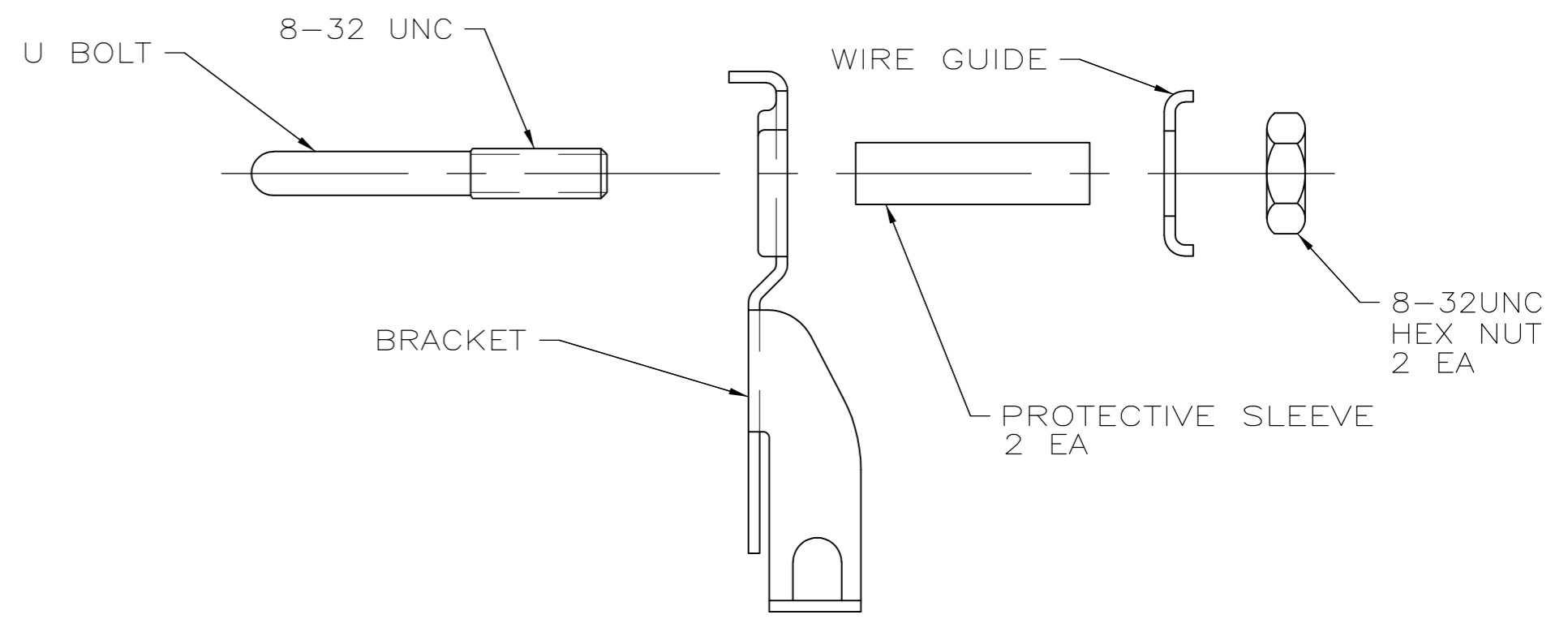
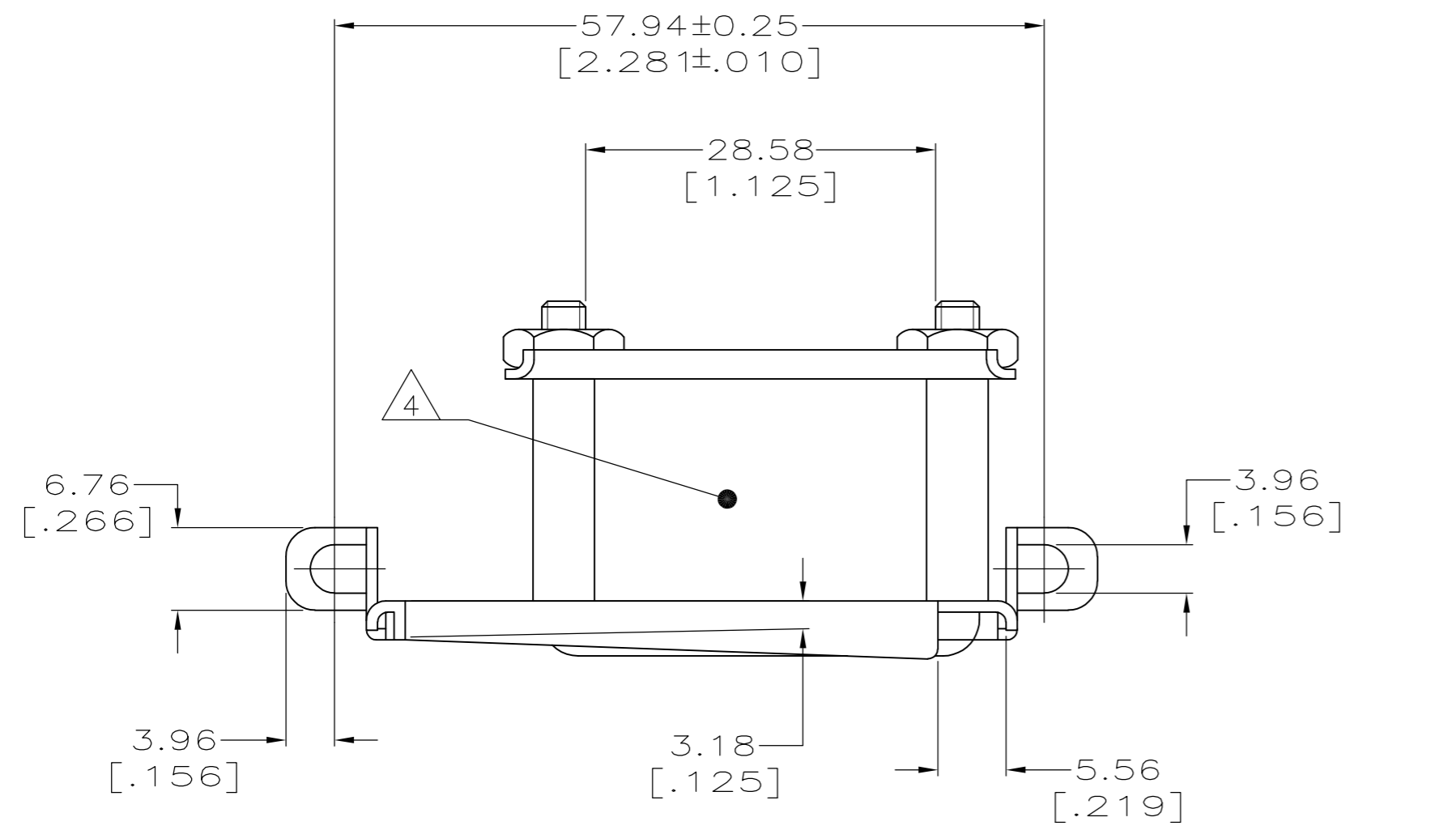
Email & Skype: info@chipsmall.com Web: www.chipsmall.com

Address: A1208, Overseas Decoration Building, #122 Zhenhua RD., Futian, Shenzhen, China



THIS DRAWING IS UNPUBLISHED. RELEASED FOR PUBLICATION  
 © COPYRIGHT BY TYCO ELECTRONICS CORPORATION. ALL INTERNATIONAL RIGHTS RESERVED.

LOC	DIST	REVISIONS					
FT	0	P	LTR	DESCRIPTION	DATE	DWN	APVD
		M		REVISED PER ECO-10-021995	12JAN11	HMR	MG



- 1 BRACKET, HEX NUT & WIRE GUIDE: CARBON STEEL. U BOLT: STAINLESS STEEL. PROTECTIVE SLEEVE: POLYVINYL CHLORIDE.
- 2 BRACKET & WIRE GUIDE: 5.08um[.000200] MIN NICKEL. HEX NUT: ZINC PLATED. U BOLT: PASSIVATED.
- 3 ALTERNATE POSITION OF U BOLT FOR 90° CABLE OUTLET.
- 4 513.55 SQ mm[.796 SQ IN] MAX CABLE CLAMP AREA.

200730-4	200730-1
SUPERSEDED BY 200730-4	
PART NUMBER	

THIS DRAWING IS A CONTROLLED DOCUMENT.		DWN M.BINNER 5 AUG 96	Tyco Electronics Corporation Harrisburg, PA 17105-3608	
DIMENSIONS: mm [INCHES]		CHK R.STONE 13 AUG 96	NAME CLAMP KIT, UNASSEMBLED RECTANGULAR STRAIN RELIEF, 75 PLACE, M SERIES	
TOLERANCES UNLESS OTHERWISE SPECIFIED:		APVD G.STEINHAUER 21 JAN 97	PRODUCT SPEC	
0 PLC ± -		APPLICATION SPEC		
1 PLC ± -		114-10015		
2 PLC ± 0.41 [.016]		WEIGHT -		
3 PLC ± -		SIZE A2		
4 PLC ± -		CAGE CODE 00779		
ANGLES ± -		DRAWING NO C=200730		
FINISH -		RESTRICTED TO -		
MATERIAL -		CUSTOMER DRAWING		
		SCALE 2:1		SHEET 1 OF 1
				REV M