



Chipsmall Limited consists of a professional team with an average of over 10 year of expertise in the distribution of electronic components. Based in Hongkong, we have already established firm and mutual-benefit business relationships with customers from,Europe,America and south Asia,supplying obsolete and hard-to-find components to meet their specific needs.

With the principle of “Quality Parts,Customers Priority,Honest Operation,and Considerate Service”,our business mainly focus on the distribution of electronic components. Line cards we deal with include Microchip,ALPS,ROHM,Xilinx,Pulse,ON,Everlight and Freescale. Main products comprise IC,Modules,Potentiometer,IC Socket,Relay,Connector.Our parts cover such applications as commercial,industrial, and automotives areas.

We are looking forward to setting up business relationship with you and hope to provide you with the best service and solution. Let us make a better world for our industry!



Contact us

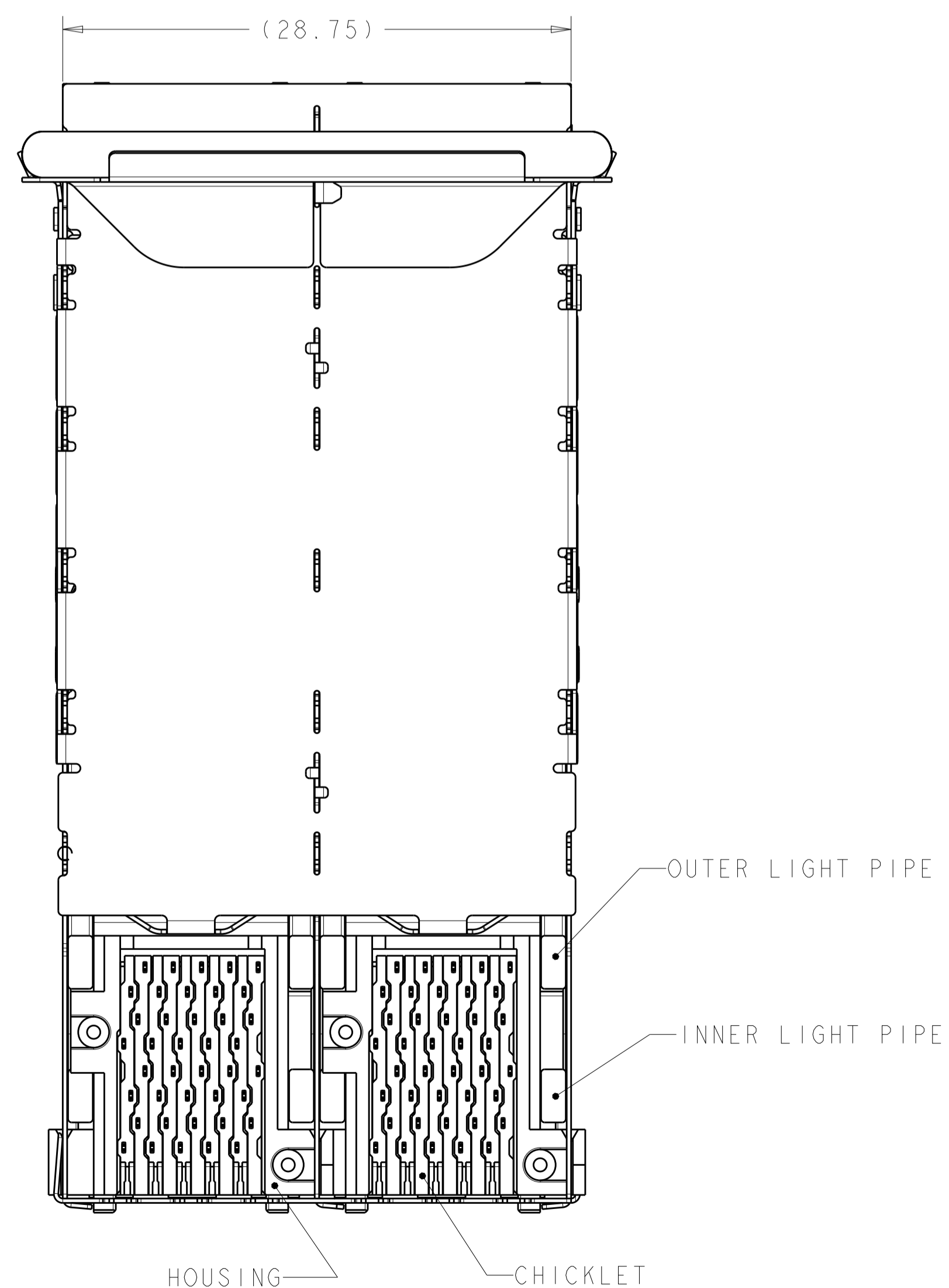
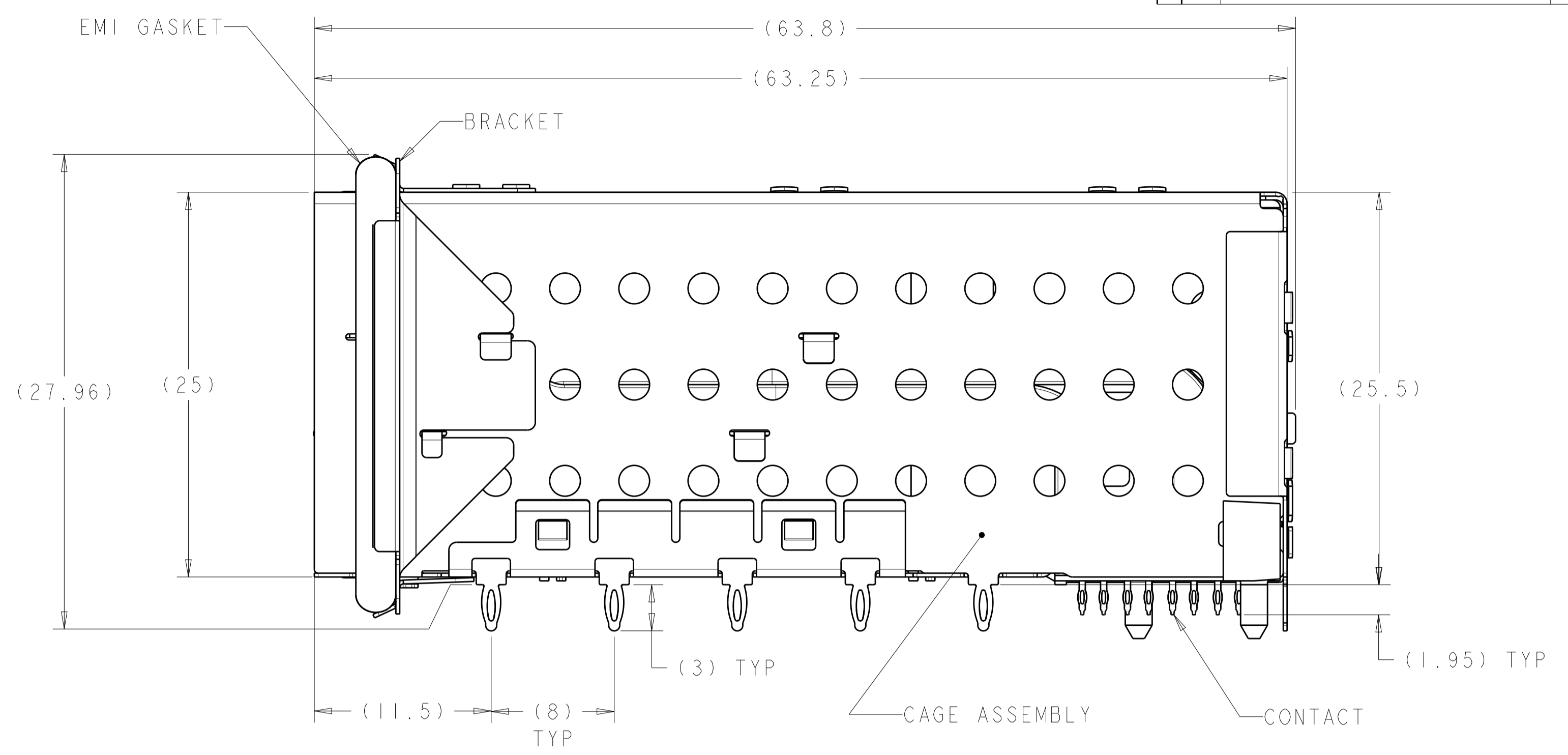
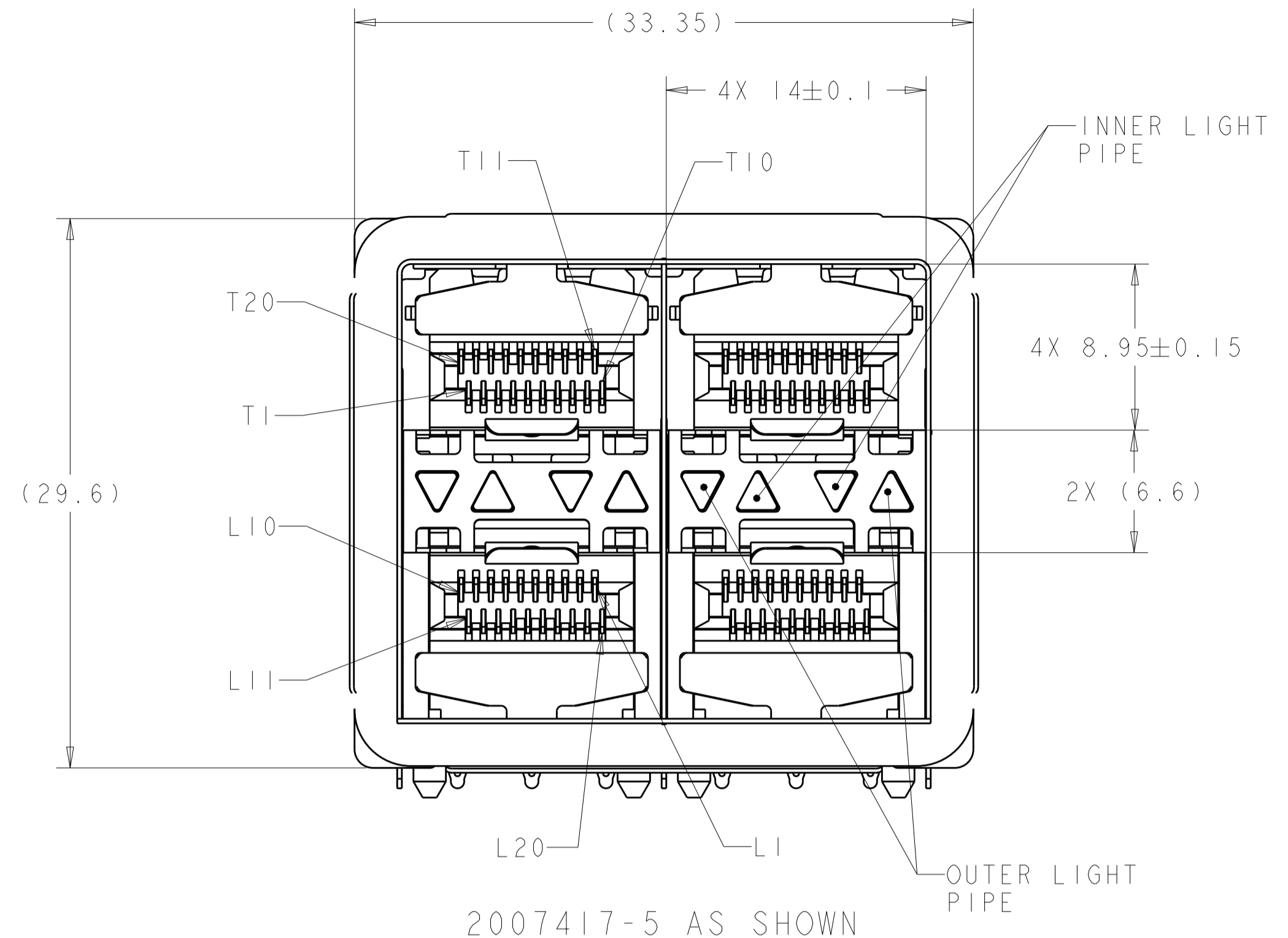
Tel: +86-755-8981 8866 Fax: +86-755-8427 6832

Email & Skype: info@chipsmall.com Web: www.chipsmall.com

Address: A1208, Overseas Decoration Building, #122 Zhenhua RD., Futian, Shenzhen, China



REVISIONS				
P.	LTM	DESCRIPTION	DATE	OWN APVD
D		REVISED PER ECO-15-017922	09APR2016	AP RP



- △ MATERIALS:
 CAGE ASSEMBLY- NICKEL SILVER ALLOY PER ASTM B 122.
 BRACKET- STAINLESS STEEL.
 EMI GASKET- PLATED FILLED SILICONE.
 HOUSING- BLACK LCP, UL 94V-0 RATED.
 CHICKLET- BLACK LCP, UL 94V-0 RATED.
 LIGHT PIPE- POLYCARBONATE, CLEAR.
 INSERT - (FOR LIGHT PIPE PART NUMBERS ONLY) - LCP, BLACK, UL 94V-0.
 CONTACT- COPPER ALLOY.
- △ DATUM AND BASIC DIMENSIONS ESTABLISHED BY CUSTOMER.
- 3. MINIMUM PCB THICKNESS OF 1.5.
- △ CONTACT FINISH- CONFORMS TO THE REQUIREMENTS OF TYCO ELECTRONICS PRODUCT SPECIFICATION 108-2331, BASED ON EIA/ECA-364-1000.01A, (CONTROLLED ENVIRONMENT APPLICATIONS) ON MATING INTERFACE, TIN-LEAD ON NEEDLE EYE.
- △ CONTACT FINISH- CONFORMS TO THE REQUIREMENTS OF TYCO ELECTRONICS PRODUCT SPECIFICATION 108-2331, BASED ON EIA/ECA-364-1000.01A, (CONTROLLED ENVIRONMENT APPLICATIONS) ON MATING INTERFACE, TIN ON NEEDLE EYE.
- △ FOR HOLE SIZE AND PLATINGS, SEE APPLICATION SPEC 114-13219.
- △ THE ENTIRE AREA OF THE CONNECTOR FOOTPRINT, INDICATED BY THE DASHED LINE, TO BE CONSIDERED THE KEEPOUT AREA FOR COMPONENTS AND SIGNAL TRACES, TOP SIDE ONLY, TOP SIDE TRACES ALLOWED WITHIN CONNECTOR HOLE PATTERN.
- △ LIGHT PIPE PAD LAYOUT IS FOR 0805 LOW PROFILE LED PACKAGE WITH A HEIGHT OF 0.8mm.
- △ ADDITIONAL COMPONENT LOCATED WITHIN LATCHPLATE FOR EMI SUPPRESSION.

YES △	△	NO	△	DESCRIPTION	PART NUMBER
				NO LIGHT PIPES	1-2007417-8
				OUTER 2 LIGHT PIPES	1-2007417-7
				INNER 2 LIGHT PIPES	1-2007417-6
				4 LIGHT PIPES	1-2007417-5
				NO LIGHT PIPES	2007417-8
				OUTER 2 LIGHT PIPES	2007417-7
				INNER 2 LIGHT PIPES	2007417-6
				4 LIGHT PIPES	2007417-5
				NO LIGHT PIPES	2007417-4
				OUTER 2 LIGHT PIPES	2007417-3
				INNER 2 LIGHT PIPES	2007417-2
				4 LIGHT PIPES	2007417-1
SUPERSEDED	NO		△		
	ENHANCED EMI	FINISH		DESCRIPTION	PART NUMBER

THIS DRAWING IS A CONTROLLED DOCUMENT. DWN: M. SHIRK, 23OCT2007
 CHK: D. SZCZESNY, 23OCT2007
 APVD: D. SZCZESNY, 23OCT2007

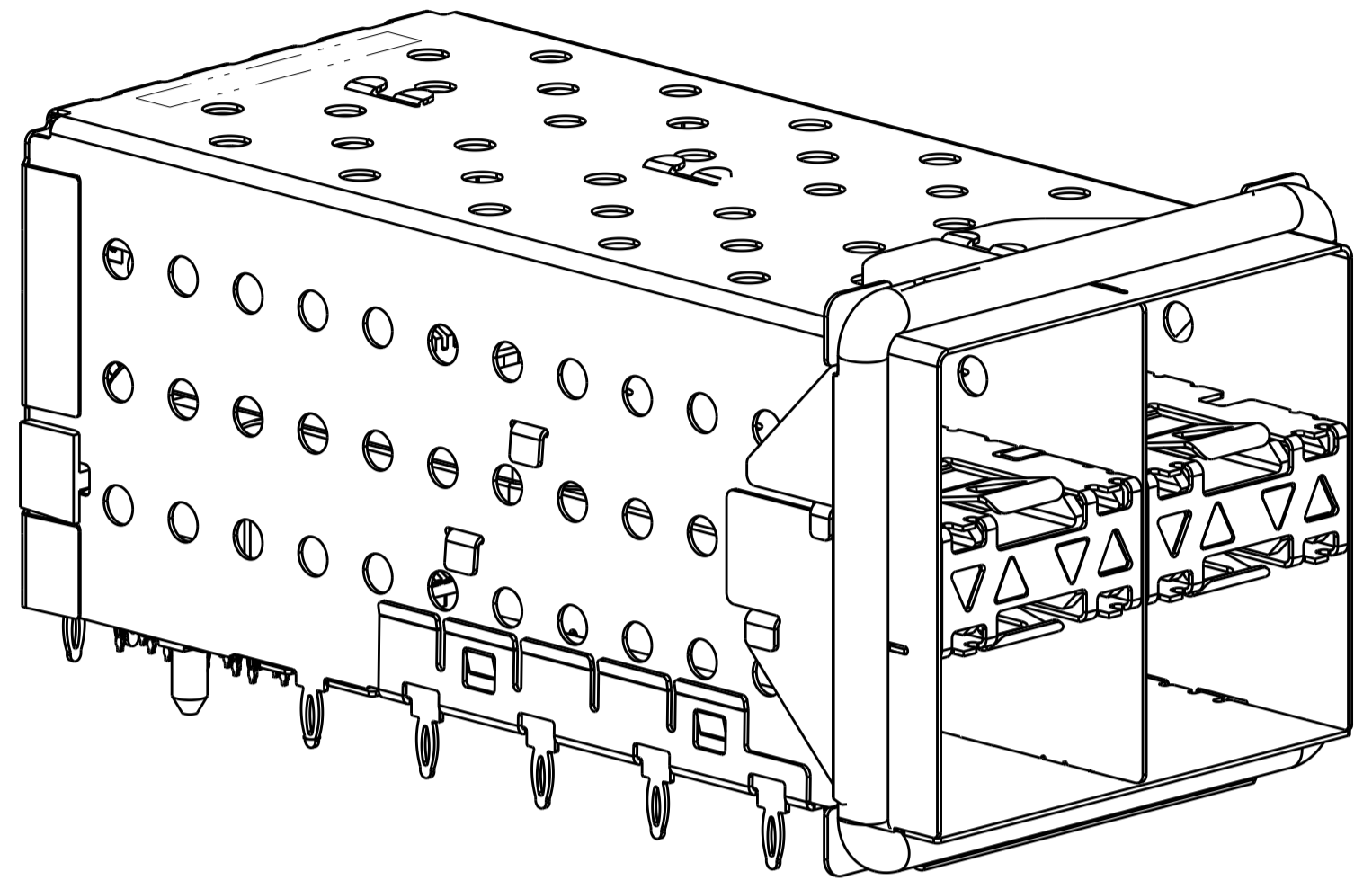
DIMENSIONS: mm
 TOLERANCES UNLESS OTHERWISE SPECIFIED:
 0 PLC ±0.10
 1 PLC ±0.10
 2 PLC ±0.10
 3 PLC ±0.10
 4 PLC ±0.10
 ANGLES ±°

MATERIAL: △
 FINISH: △ △ △

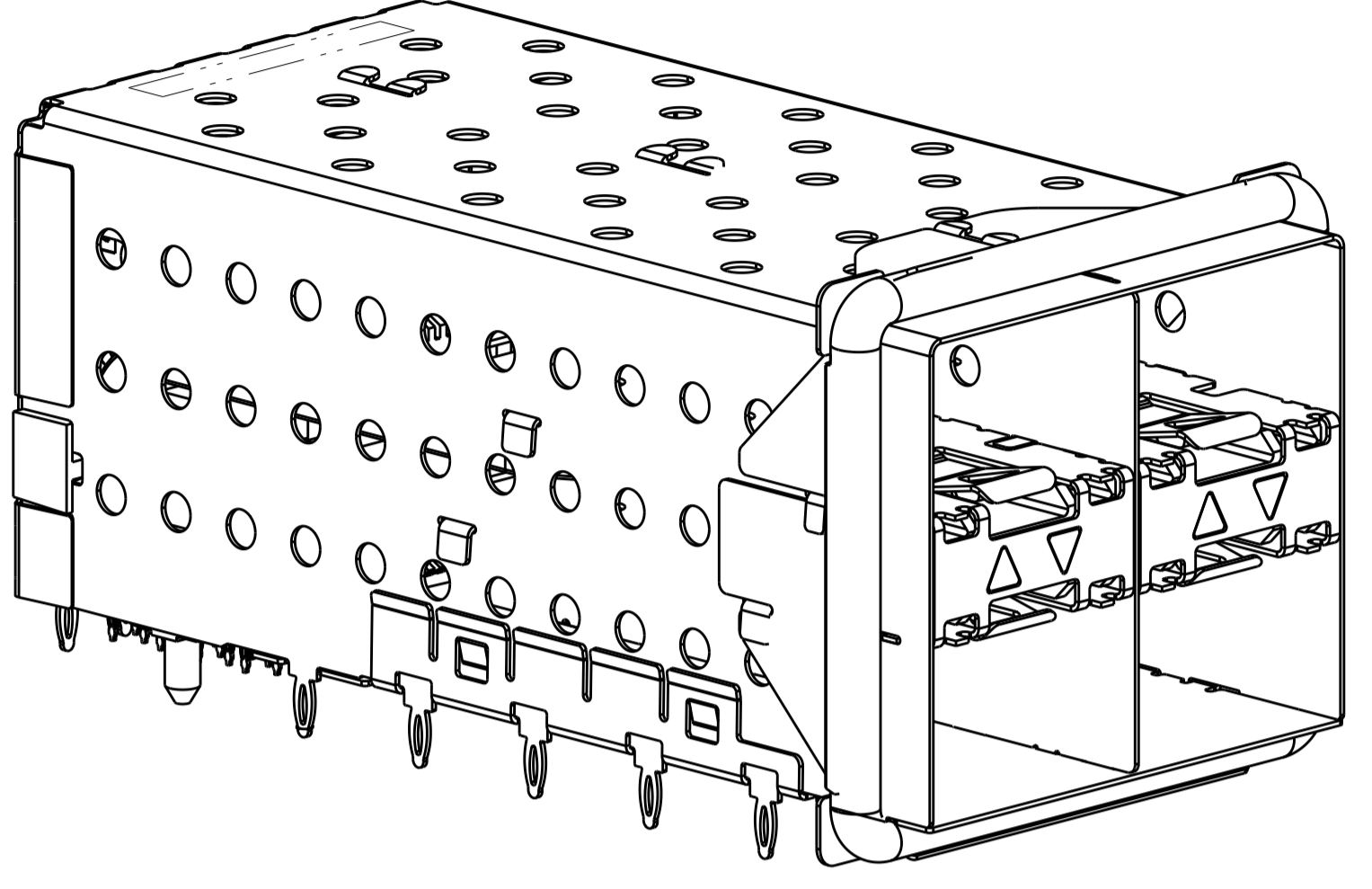
NAME: CAGE AND PT CONNECTOR ASSEMBLY, WITH EMI GASKET, PRESS FIT, 2X2, STACKED SFP+
 PRODUCT SPEC: 108-2331
 APPLICATION SPEC: 114-13219
 SIZE: 114-13219
 WEIGHT: -
 CUSTOMER DRAWING

SCALE: 4:1 SHEET 1 OF 4 REV D

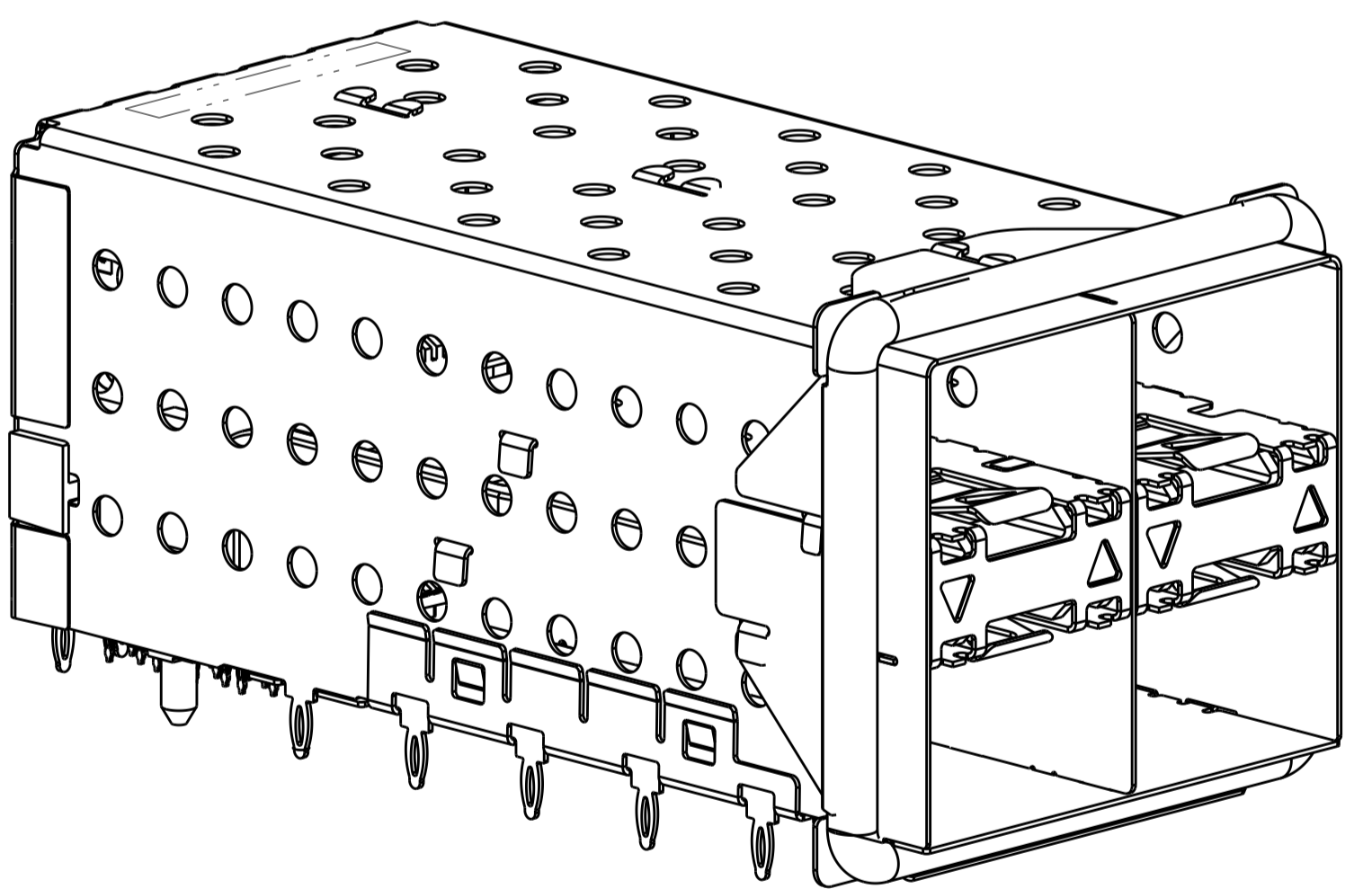
REVISIONS				
P.	LTN	DESCRIPTION	DATE	APVD
-	-	SEE SHEET 1	-	-



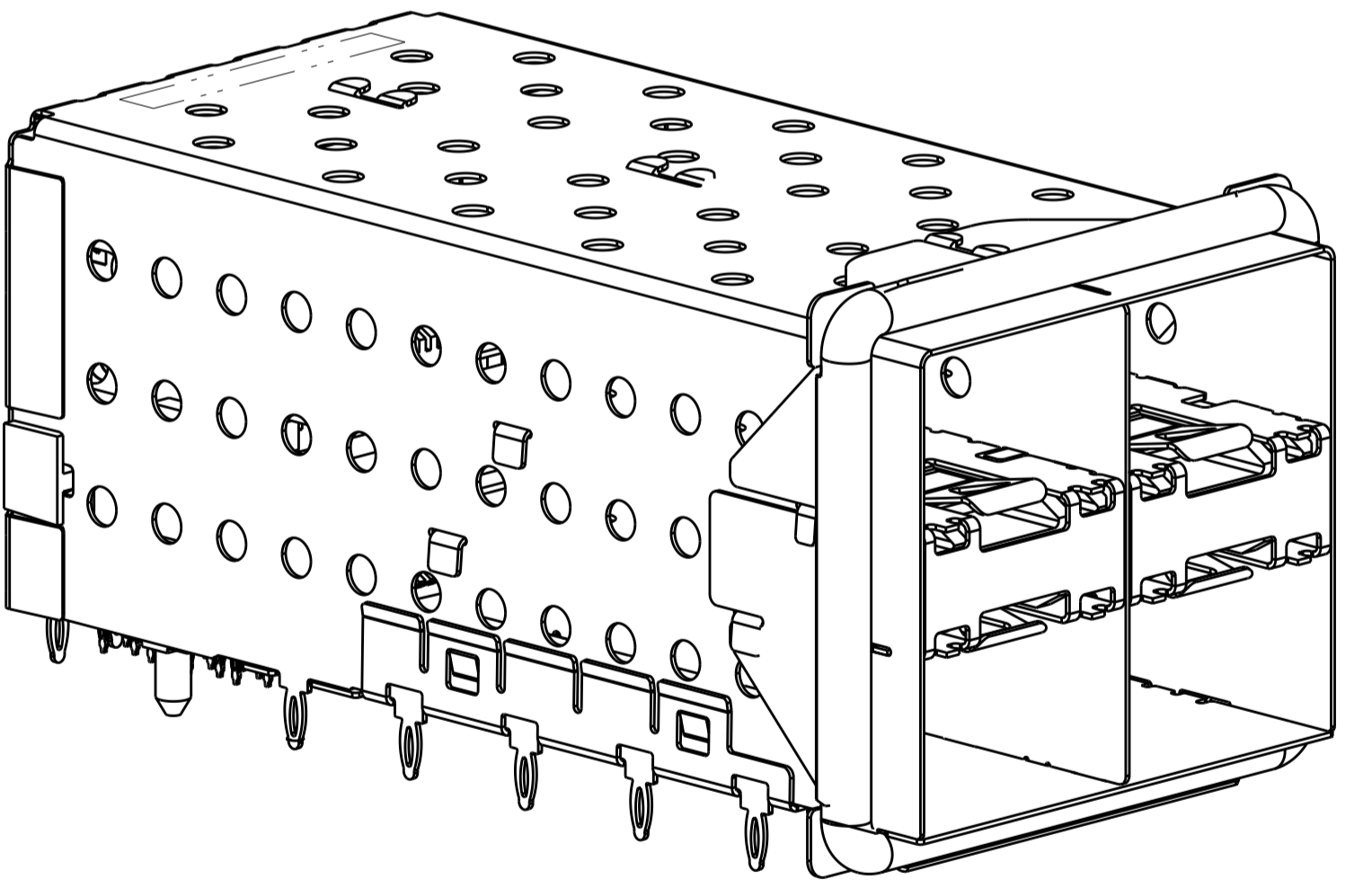
2007417-5 AND 1-2007417-5
SCALE 3:1



2007417-6 AND 1-2007417-6
SCALE 3:1



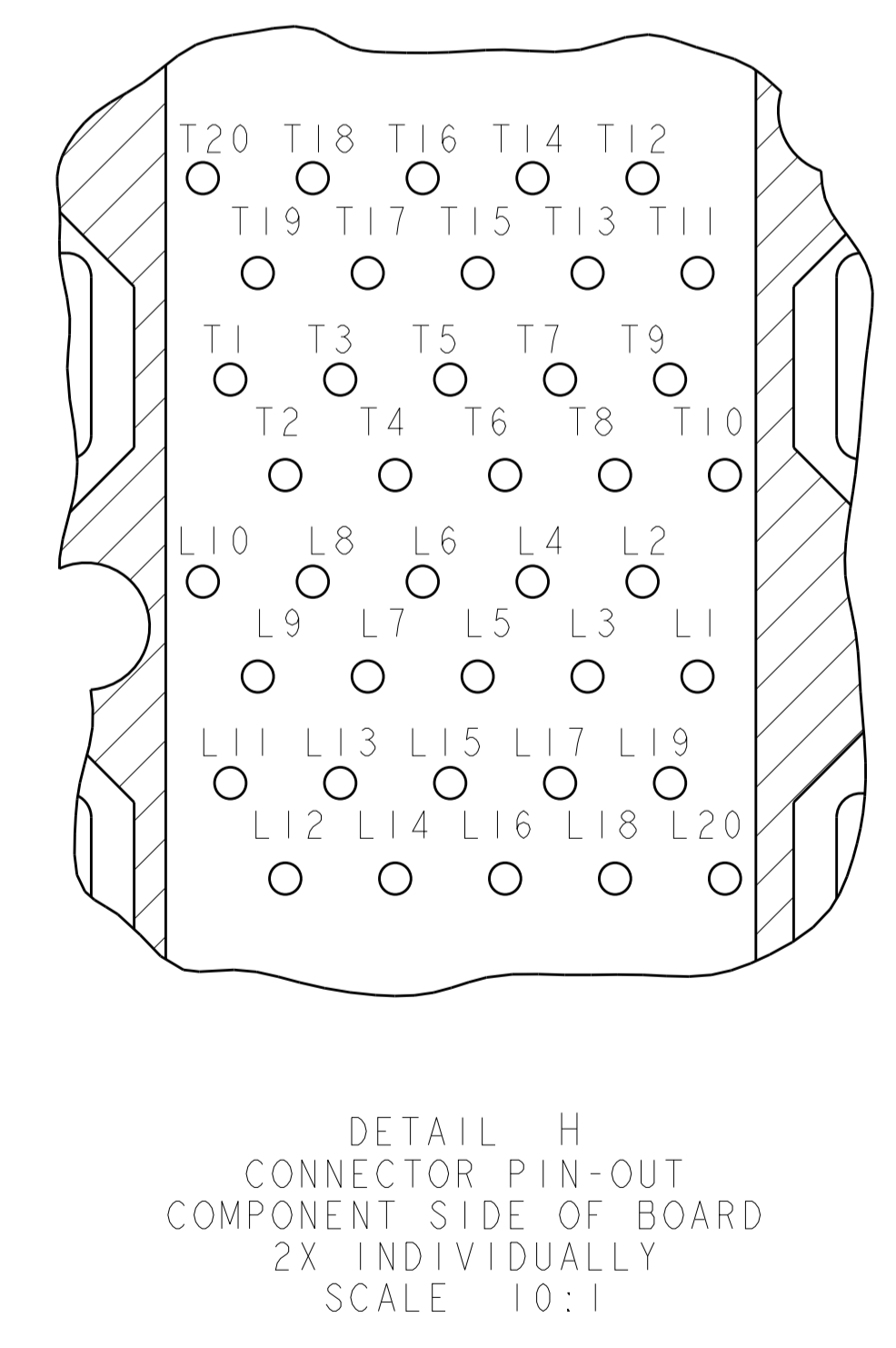
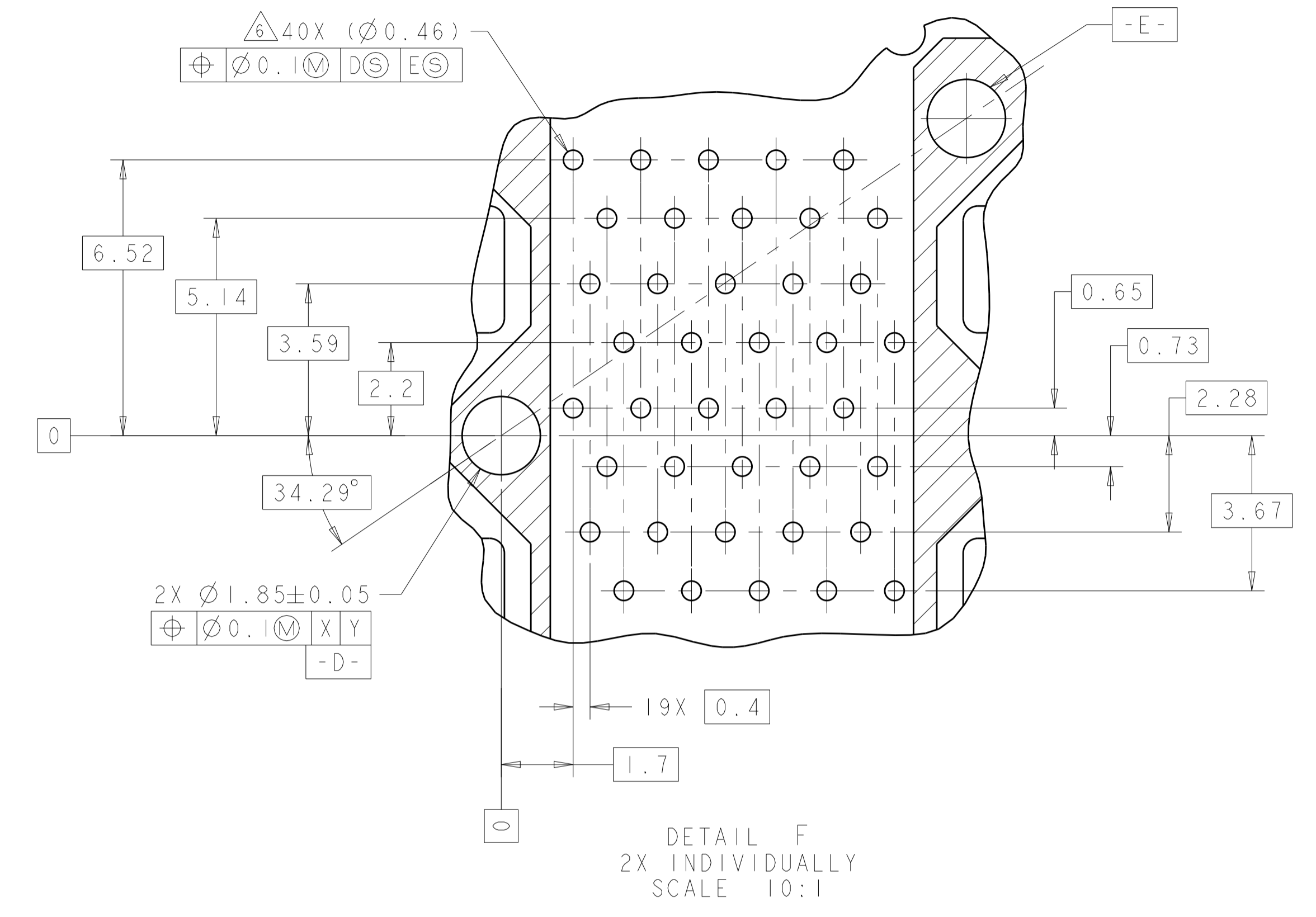
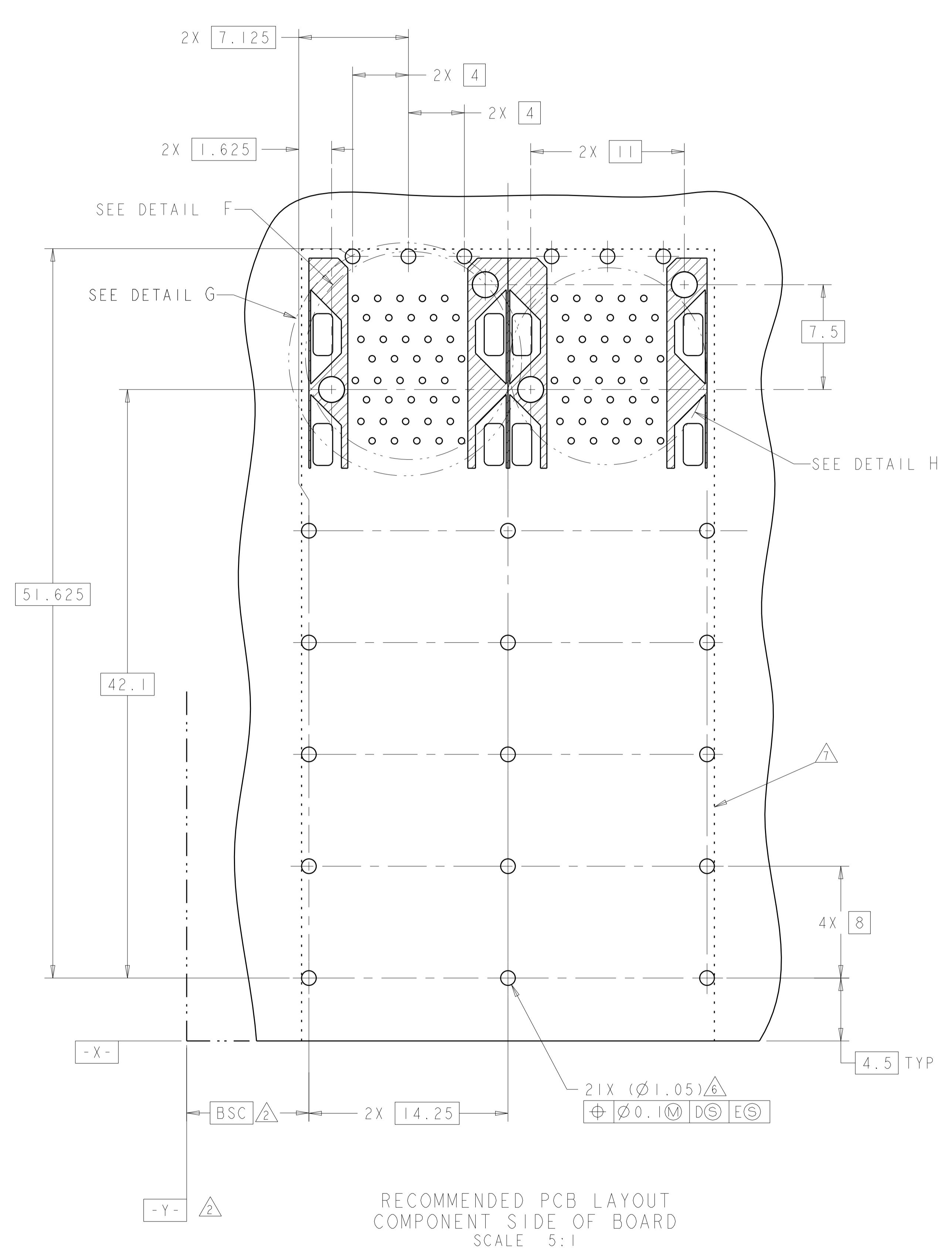
2007417-7 AND 1-2007417-7
SCALE 3:1



2007417-8 AND 1-2007417-8
SCALE 3:1

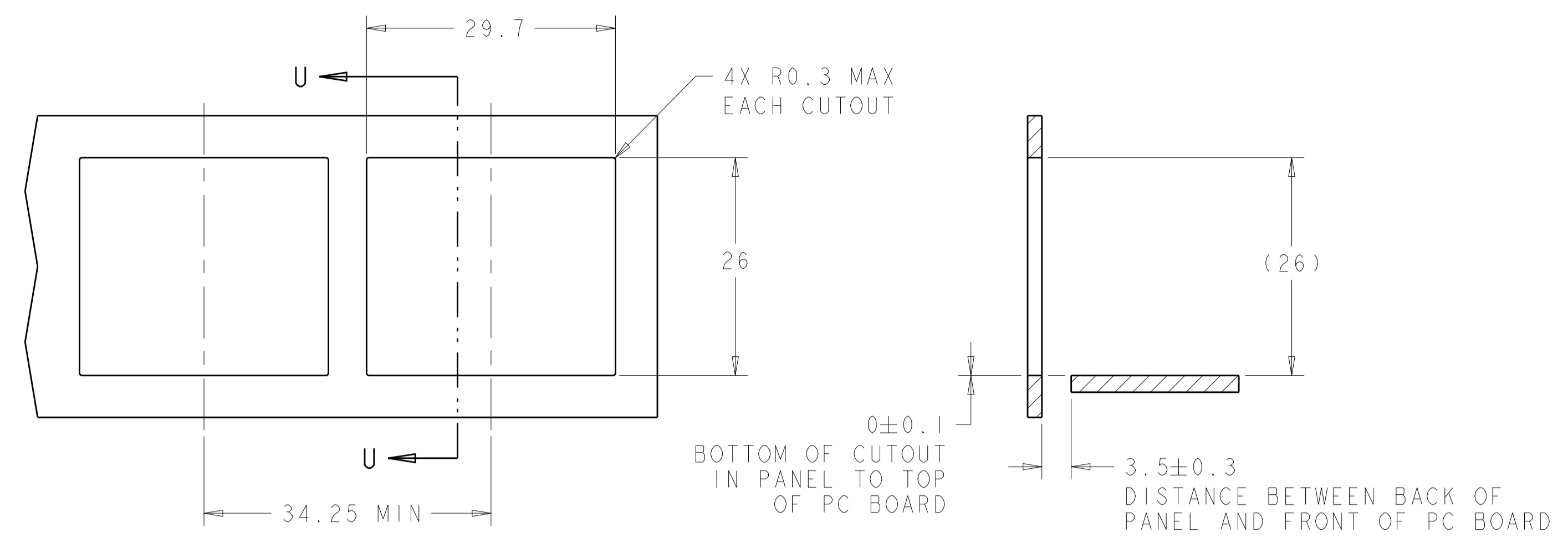
THIS DRAWING IS A CONTROLLED DOCUMENT.		DWN: M. SHIRK 23OCT2007	STE TE Connectivity
DIMENSIONS: mm		CHK: D. SZCZESNY 23OCT2007	
TOLERANCES UNLESS OTHERWISE SPECIFIED:		APVD: D. SZCZESNY 23OCT2007	NAME: CAGE AND PT CONNECTOR ASSEMBLY, WITH EMI GASKET, PRESS FIT, 2X2, STACKED SFP+
0 PLC ±0.10		PRODUCT SPEC: 108-2331	
1 PLC ±0.10		APPLICATION SPEC: 114-13219	SIZE: A100779 C=2007417
2 PLC ±0.10		WEIGHT: -	
3 PLC ±0.10		FINISH: -	RESTRICTED TO: -
4 PLC ±0.10		MATERIAL: -	SCALE: 4:1 SHEET 2 OF 4 REV D
ANGLES ±°		CUSTOMER DRAWING	

REVISIONS				
P.	LTN.	DESCRIPTION	DATE	APP'D.
-	-	SEE SHEET 1	-	-

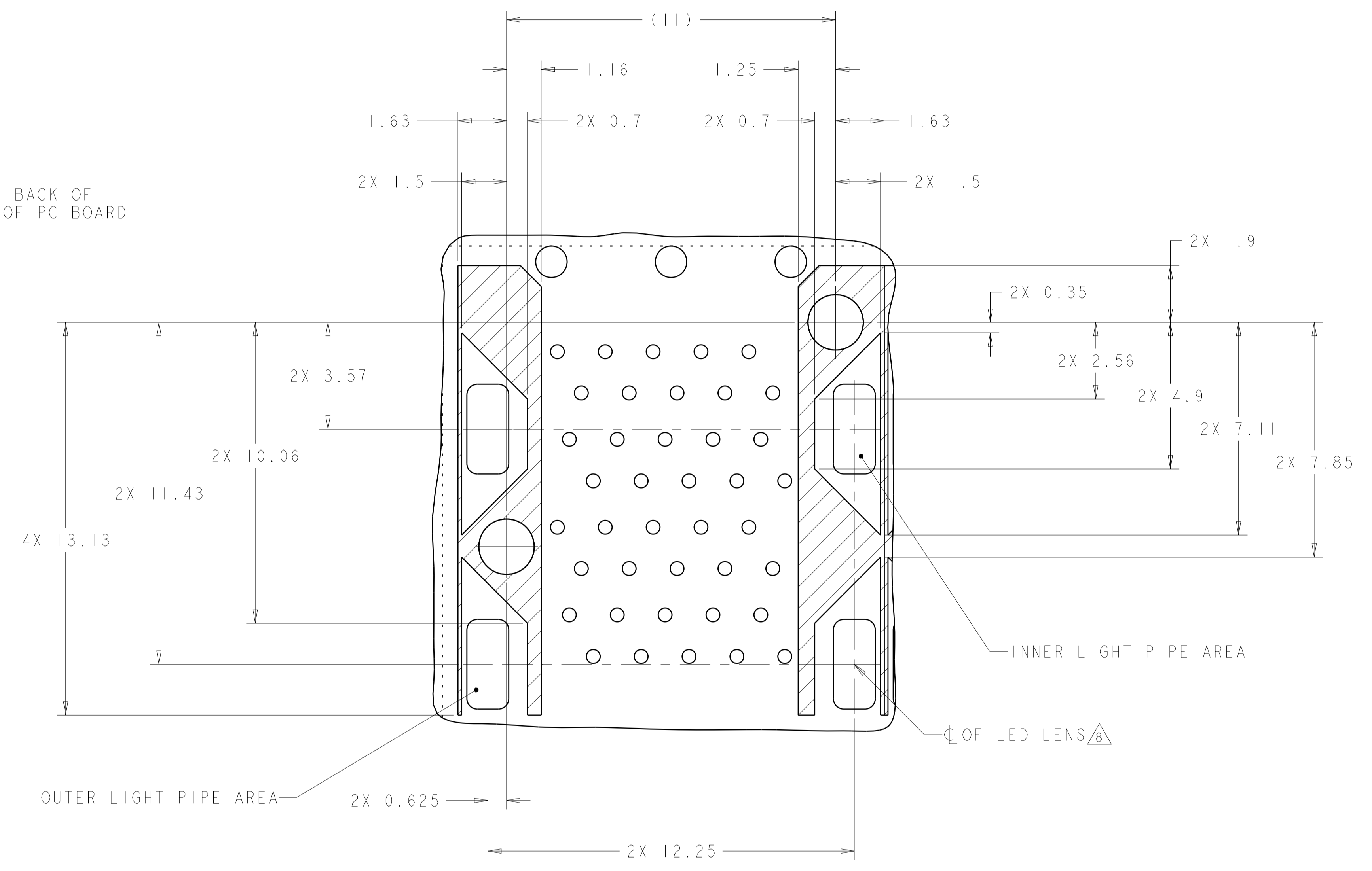


THIS DRAWING IS A CONTROLLED DOCUMENT.		DWN: M. SHIRK 23OCT2007 CHK: D. SZCZESNY 23OCT2007 APVD: D. SZCZESNY 23OCT2007	TE Connectivity
DIMENSIONS: mm	TOLERANCES UNLESS OTHERWISE SPECIFIED: 0 PLC ±0.10 1 PLC ±0.10 2 PLC ±0.10 3 PLC ±0.10 4 PLC ±0.10 ANGLES ±°	PRODUCT SPEC: 108-2331 APPLICATION SPEC: 114-13219 WEIGHT: -	
MATERIAL: -		FINISH: - WEIGHT: -	RESTRICTED TO: - SCALE: 4:1 SHEET 1 OF 4 REV D

REVISIONS				
P.	LTN.	DESCRIPTION	DATE	APVD.
-	-	SEE SHEET 1	-	-



RECOMMENDED PANEL CUTOUT AND PC BOARD, PANEL POSITION
 SCALE 2:1



DETAIL G
 CONNECTOR HOUSING
 KEEPOUT ZONE
 2X INDIVIDUALLY
 SCALE 10:1

THIS DRAWING IS A CONTROLLED DOCUMENT.		DWN: M. SHIRK 23OCT2007 CHK: D. SZCZESNY 23OCT2007 APVD: D. SZCZESNY 23OCT2007	TE Connectivity
DIMENSIONS: mm	TOLERANCES UNLESS OTHERWISE SPECIFIED: 0 PLC ±0.10 1 PLC ±0.10 2 PLC ±0.10 3 PLC ±0.10 4 PLC ±0.10 ANGLES ±°	NAME: CAGE AND PT CONNECTOR ASSEMBLY, WITH EMI GASKET, PRESS FIT, 2X2, STACKED SFP+ PRODUCT SPEC: 108-2331 APPLICATION SPEC: 114-13219	
MATERIAL:	FINISH:	WEIGHT: - CUSTOMER DRAWING	SIZE: A100779 CAGE CODE: C=2007417 SCALE: 4:1 SHEET 1 OF 4 REV D