



Chipsmall Limited consists of a professional team with an average of over 10 year of expertise in the distribution of electronic components. Based in Hongkong, we have already established firm and mutual-benefit business relationships with customers from,Europe,America and south Asia,supplying obsolete and hard-to-find components to meet their specific needs.

With the principle of “Quality Parts,Customers Priority,Honest Operation,and Considerate Service”,our business mainly focus on the distribution of electronic components. Line cards we deal with include Microchip,ALPS,ROHM,Xilinx,Pulse,ON,Everlight and Freescale. Main products comprise IC,Modules,Potentiometer,IC Socket,Relay,Connector.Our parts cover such applications as commercial,industrial, and automotives areas.

We are looking forward to setting up business relationship with you and hope to provide you with the best service and solution. Let us make a better world for our industry!



Contact us

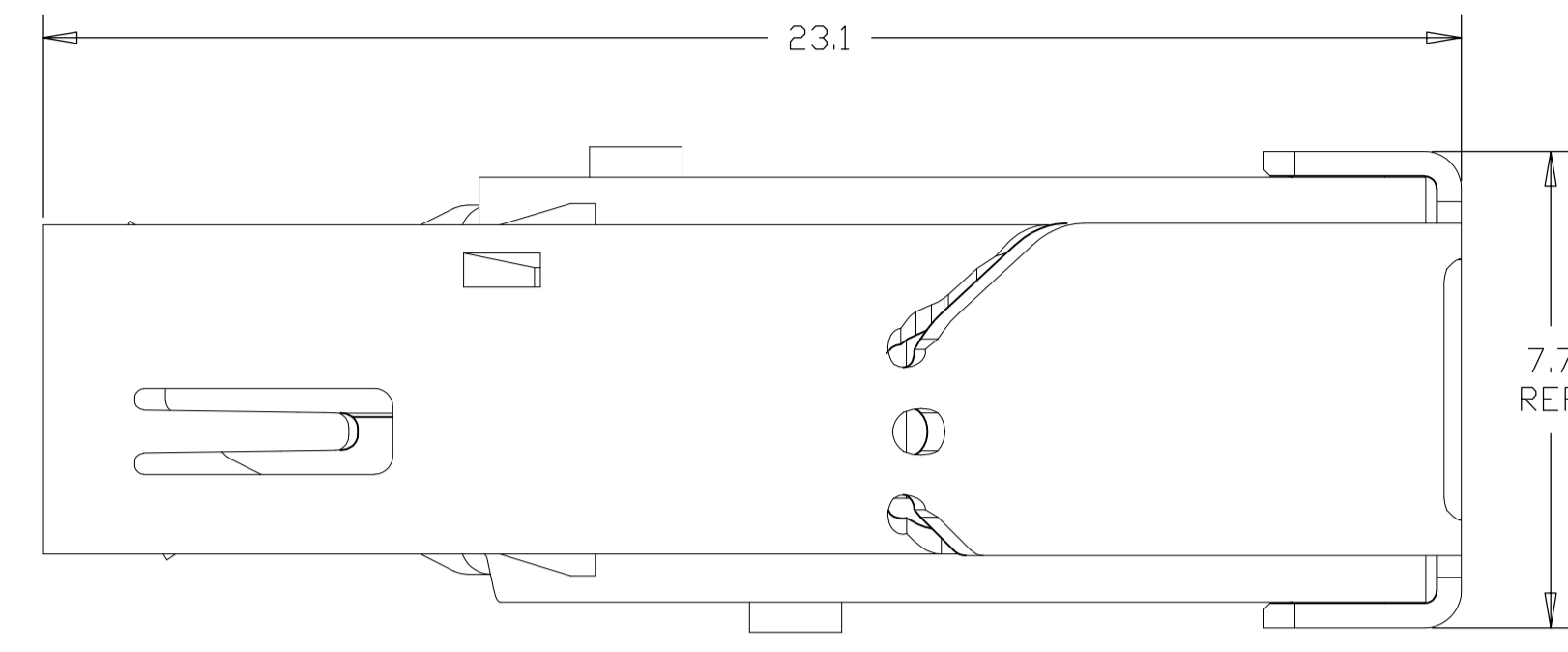
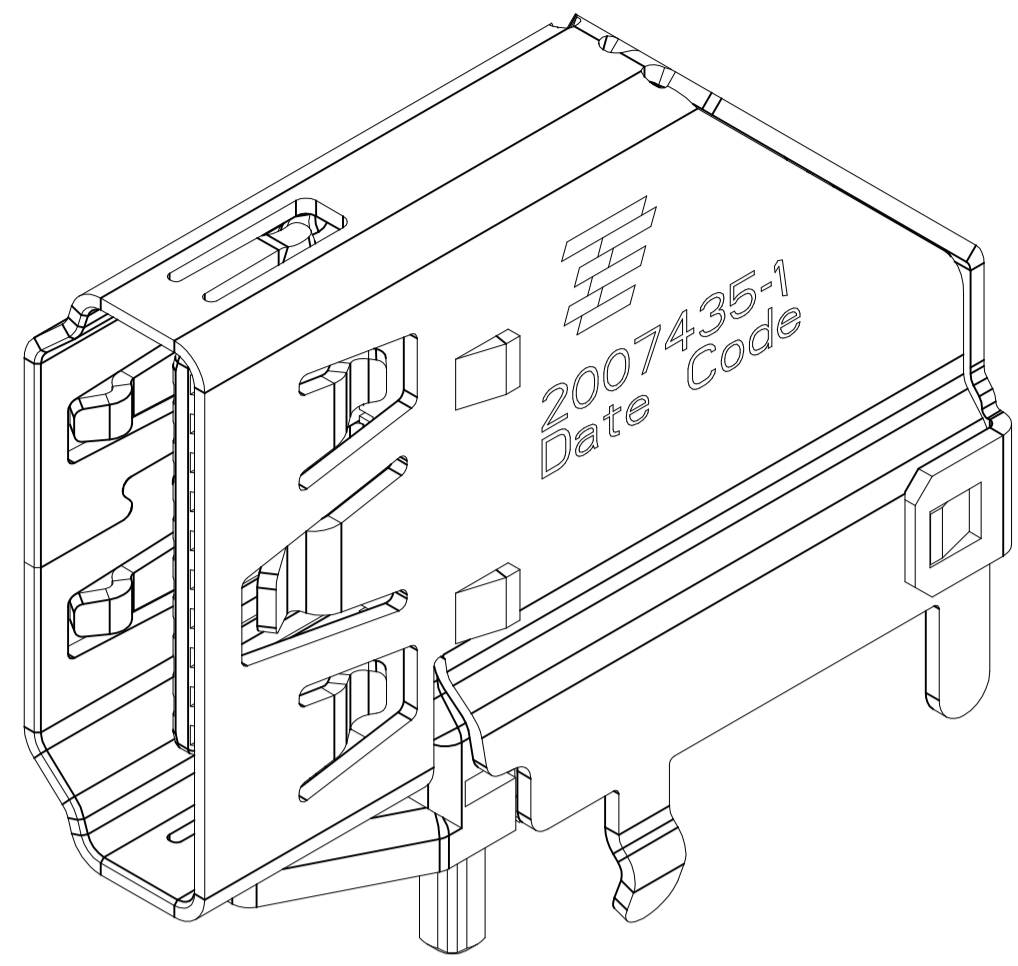
Tel: +86-755-8981 8866 Fax: +86-755-8427 6832

Email & Skype: info@chipsmall.com Web: www.chipsmall.com

Address: A1208, Overseas Decoration Building, #122 Zhenhua RD., Futian, Shenzhen, China

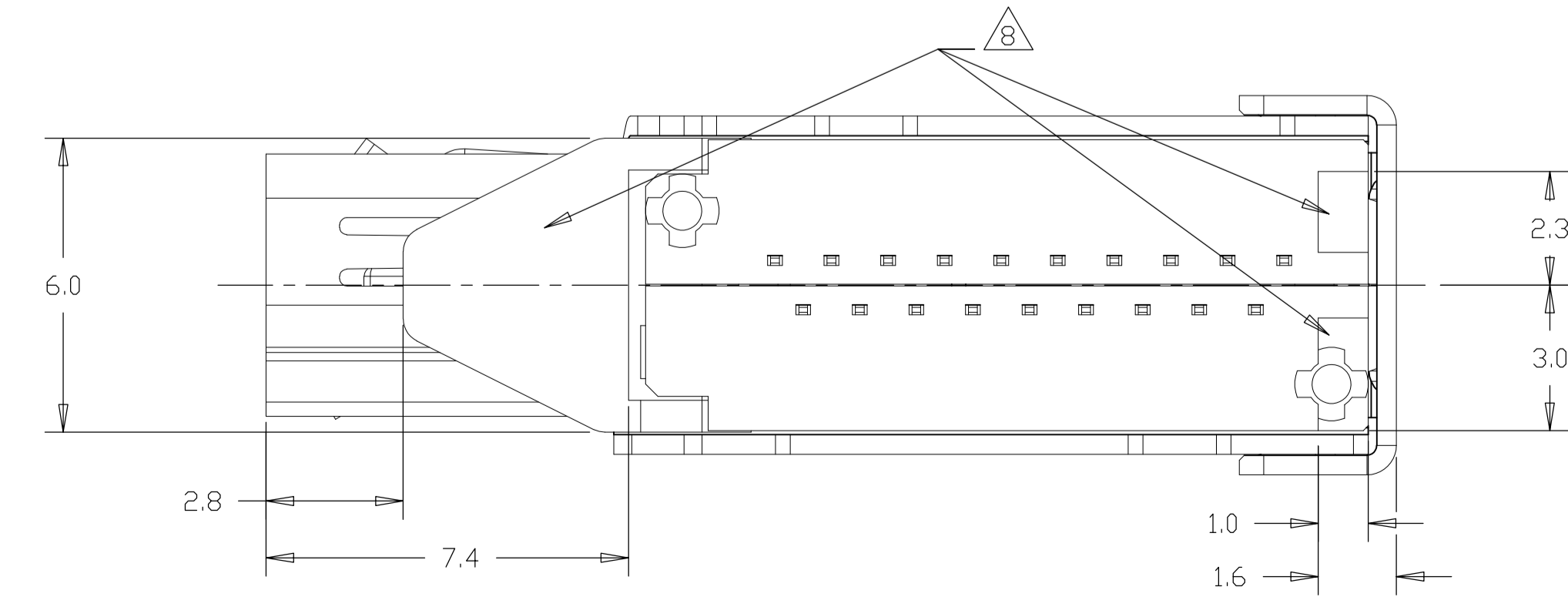
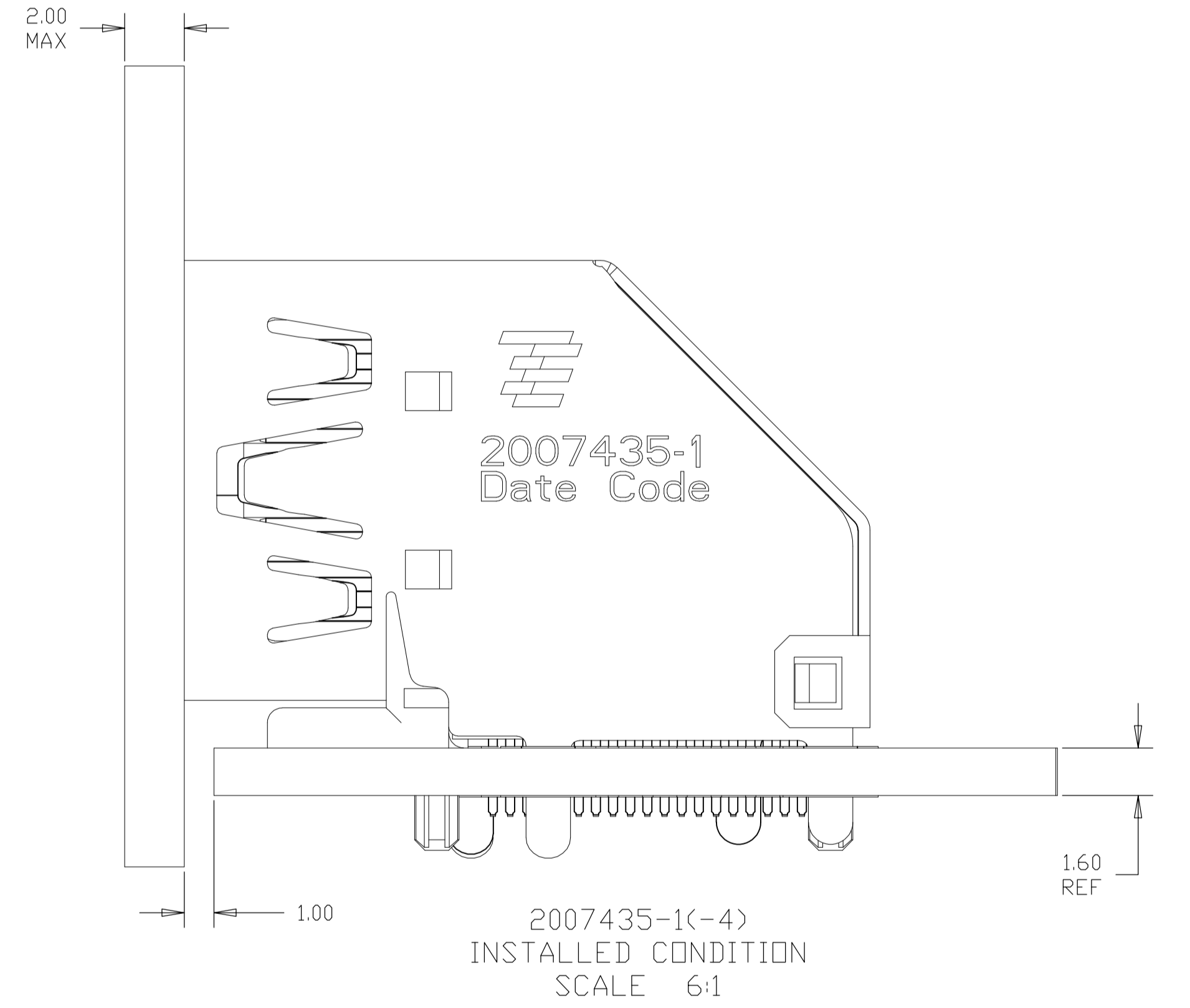
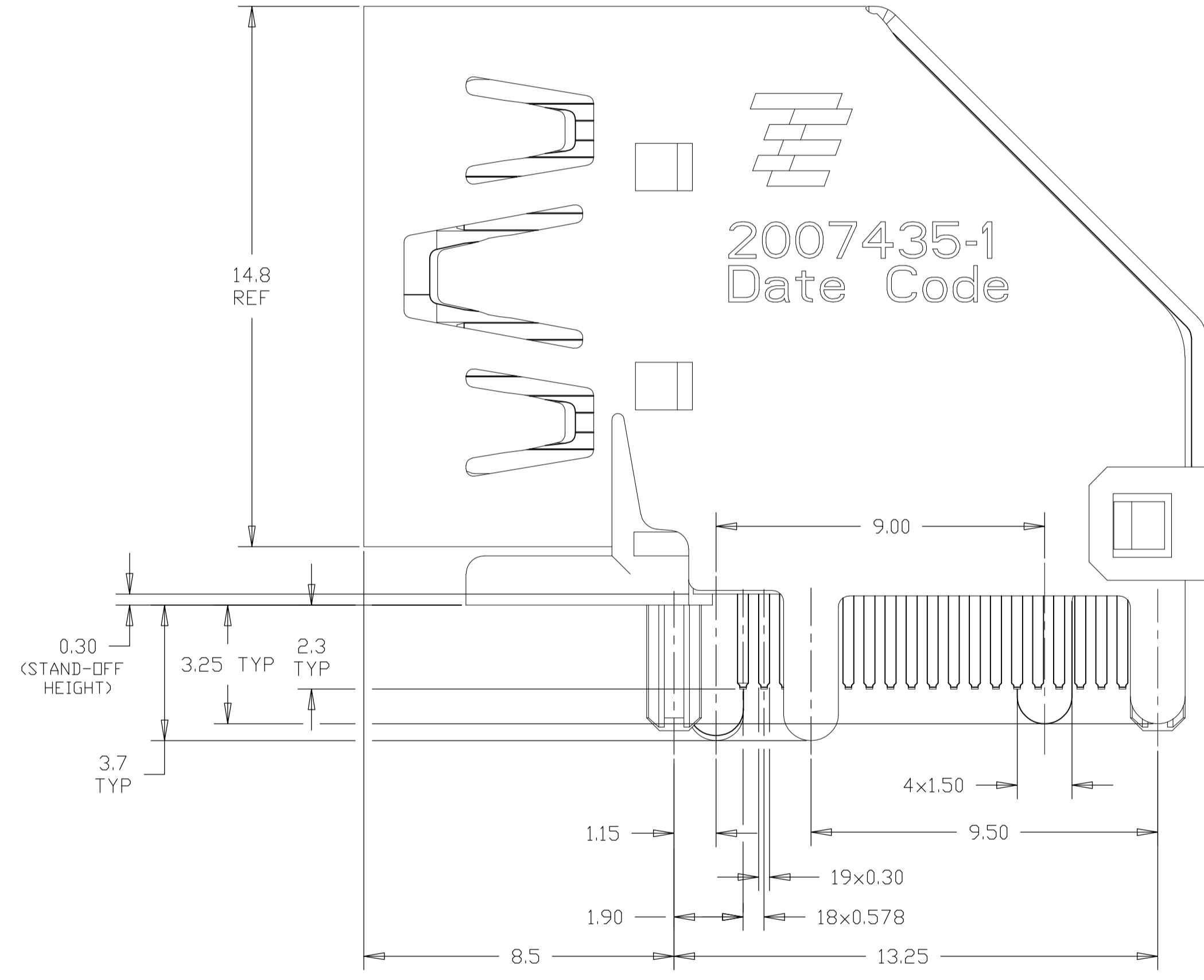
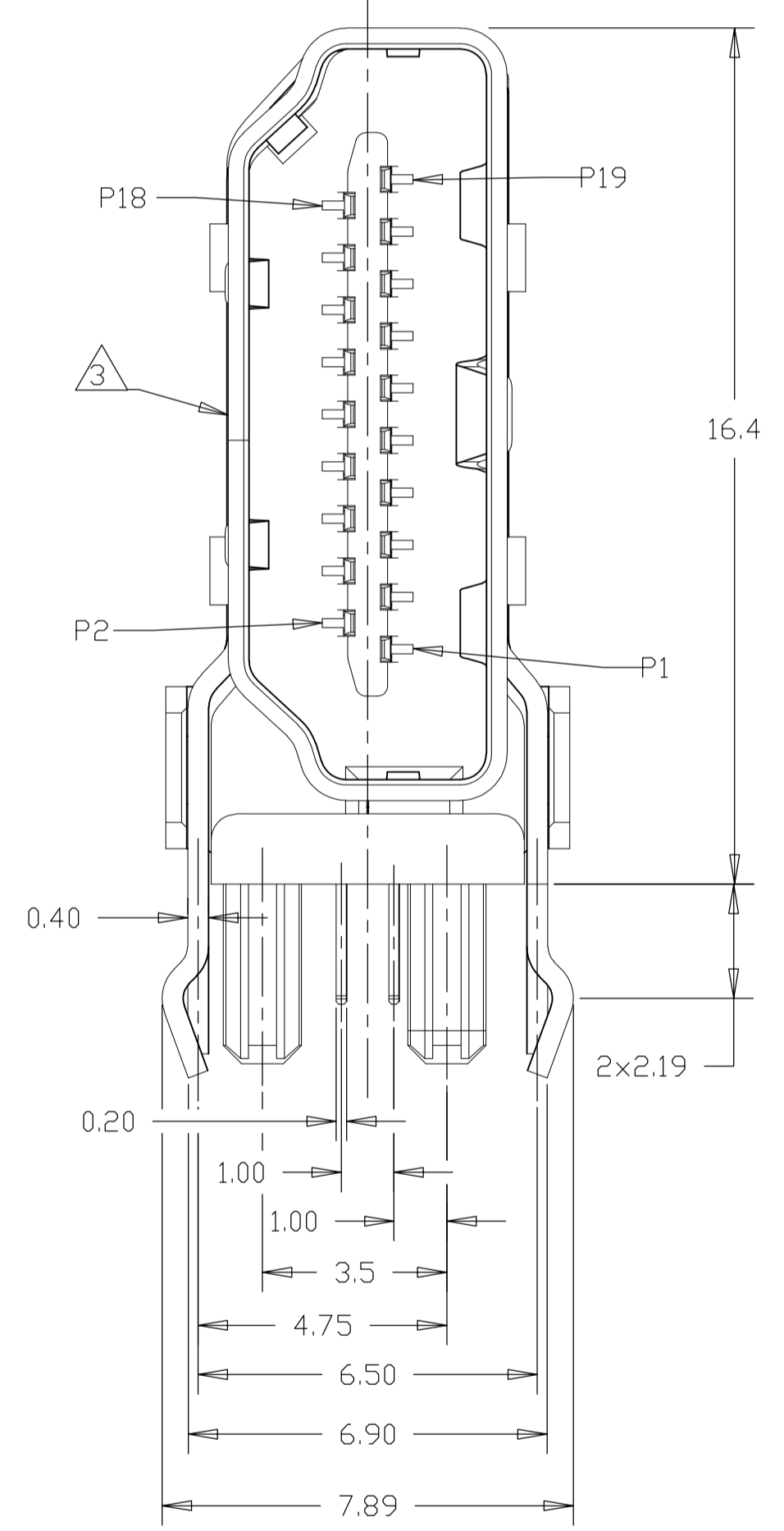


REVISONS		DATE	DN	APVD
P	LTR	DESCRIPTION		
C		RELEASE PER ECR-10-024107	8/31/2010	FL SY
C1		RELEASE PER ECR-11-016951	7/20/2011	JJ SY
D		RELEASED PER ECR-12-000920	11/08/2011	JJ SY



- 1 MATERIALS:
HOUSING: HIGH TEMP THERMOPLASTIC, UL94V-0, BLACK, PBT.
CONTACTS: COPPER ALLOY.
SHIELD: STAINLESS STEEL.
- 2 FINISH:
CONTACTS:
MATING AREA: CONFORMS TO HDMI SPECIFICATION VERSION 1.3a TABLE 4-6 AND 4-7 (ELECTRICAL AND ENVIRONMENTAL PERFORMANCE), BASED ON EIA/ECA - 364-1000.01A (CONTROLLED ENVIRONMENT APPLICATIONS).
SOLDER TAILS: TIN OVER NICKEL.
- 3 INTERFACE DIMENSIONS PER HDMI SPECIFICATION VERSION 1.3a.
- 4 WAVE SOLDER COMPATIBLE PER 109-202. CONDITION B. NO CLEAN FLUX IS RECOMMENDED.
- 5 THIS DIMENSION HAS AN ADDITIONAL 1.0 CLEARANCE OVER HDMI V1.3a SPECIFICATION MAXIMUM CABLE TYPE A PLUG HEIGHT.
- 6 REMOVE CAP IS RECOMMENDED AFTER WAVE SOLDER.
- 7 MATERIALS:
HOUSING: HIGH TEMP THERMOPLASTIC, UL94V-0, BLACK, LCP.
CONTACTS: COPPER ALLOY.
SHIELD: STAINLESS STEEL.
- 8 STAND-OFF AREA.

2007435-1(-4)
SCALE 6:1



EMBOSS TAPE	WITHOUT POLYIMIDE TAPE	WITHOUT KINK AND WITH CAP	0.38 μm	△	2.00	2007435-7
EMBOSS TAPE	WITH POLYIMIDE TAPE	WITHOUT KINK AND WITHOUT CAP	0.38 μm	△	2.00	2007435-6
TRAY	WITHOUT POLYIMIDE TAPE	WITH KINK AND WITH CAP	0.38 μm	△	1.60	2007435-5
		WITH KINK AND WITHOUT CAP	0.76 μm	△	1.60	2007435-4
		WITHOUT KINK AND WITH CAP	0.38 μm	△	1.60	2007435-3
		WITHOUT KINK AND WITHOUT CAP	0.38 μm	△	2.40	2007435-2
PACKAGE		WITH KINK AND WITHOUT CAP	0.38 μm	△	1.60	2007435-1
REMARK		GOLD PLATING ON CONTACT AREA	MATERIAL	PCB THICKNESS	PART NO.	

THIS DRAWING IS A CONTROLLED DOCUMENT.

Francis Lee 31AUG2010
Martin Li 31AUG2010
Steven Yao 31AUG2010

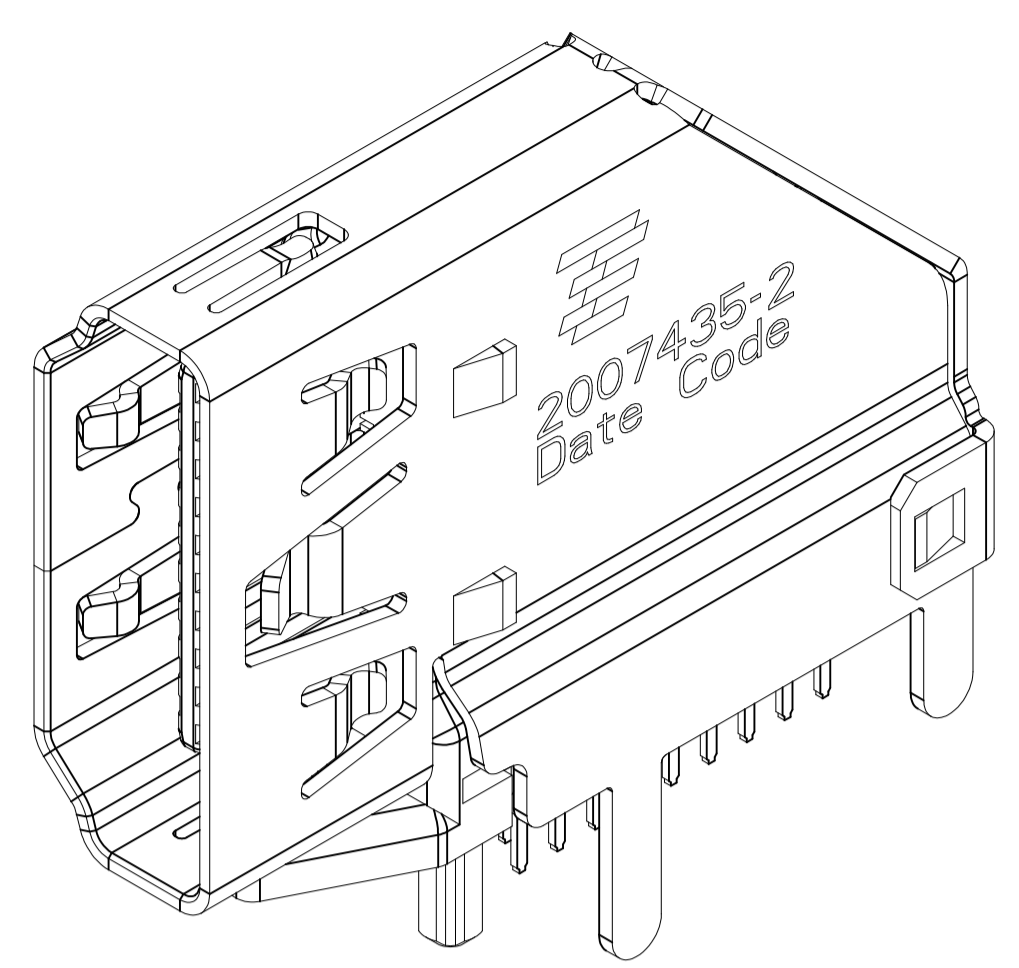
STE TE Connectivity

HDMI FLAG CONNECTOR ASSEMBLY

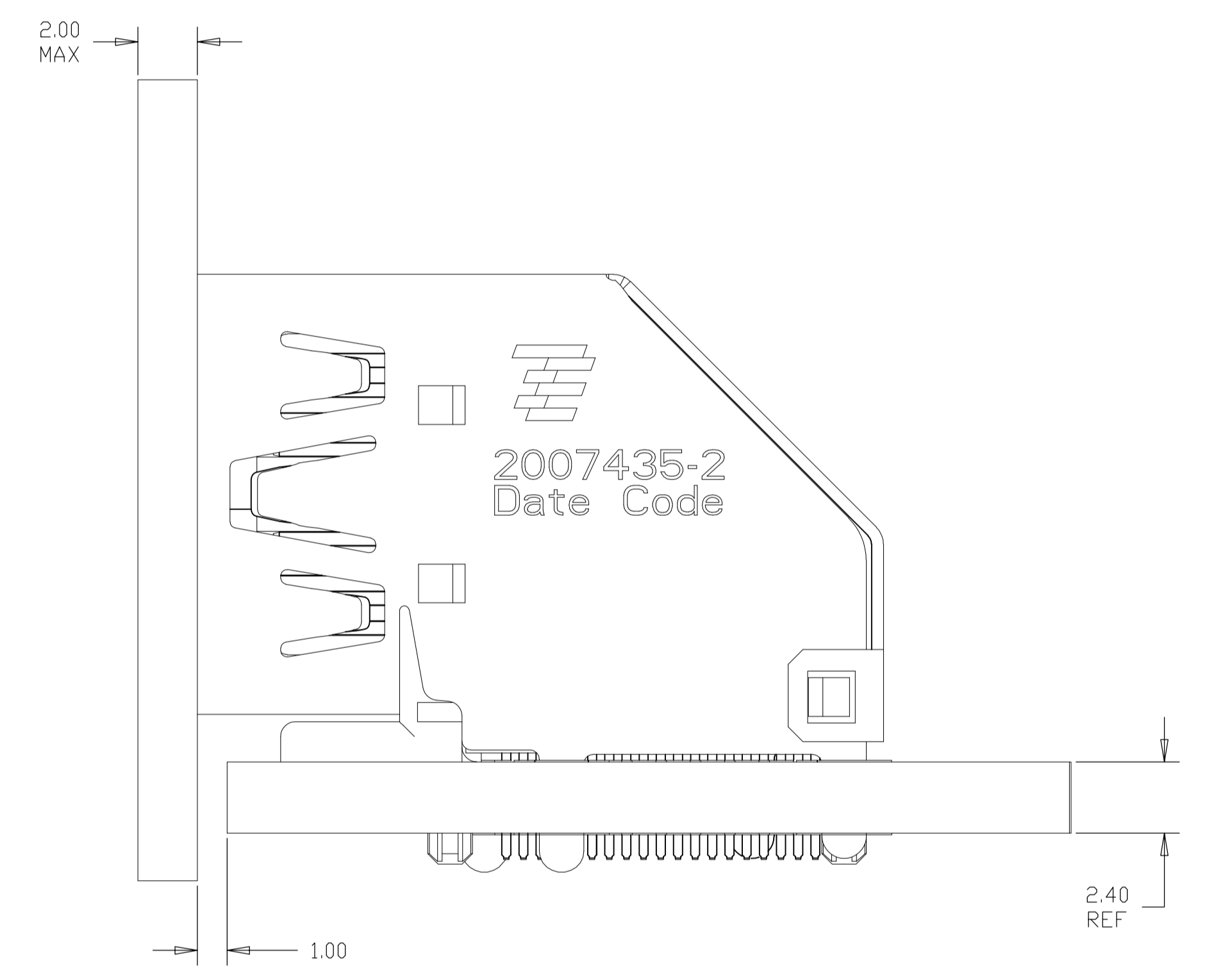
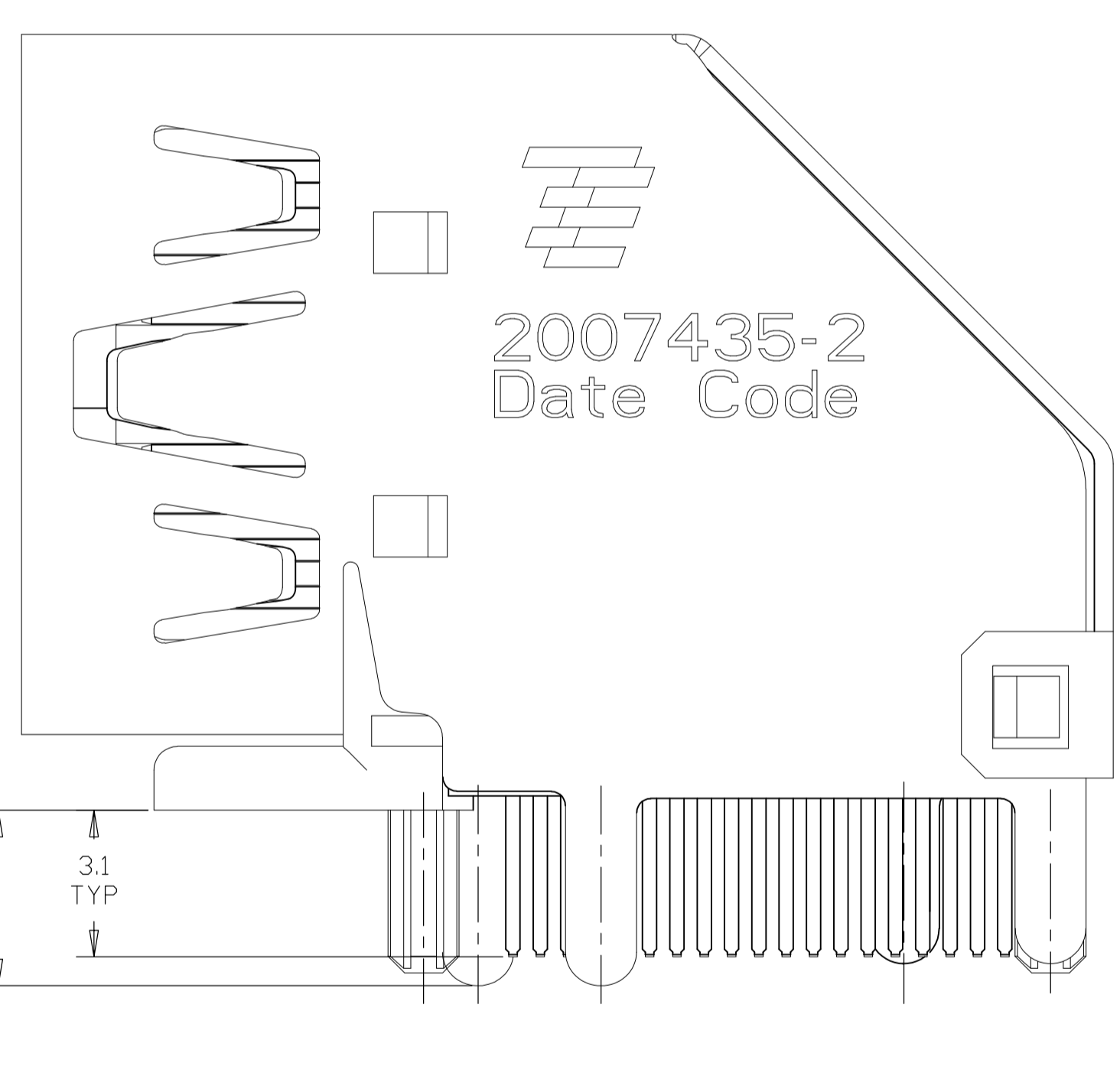
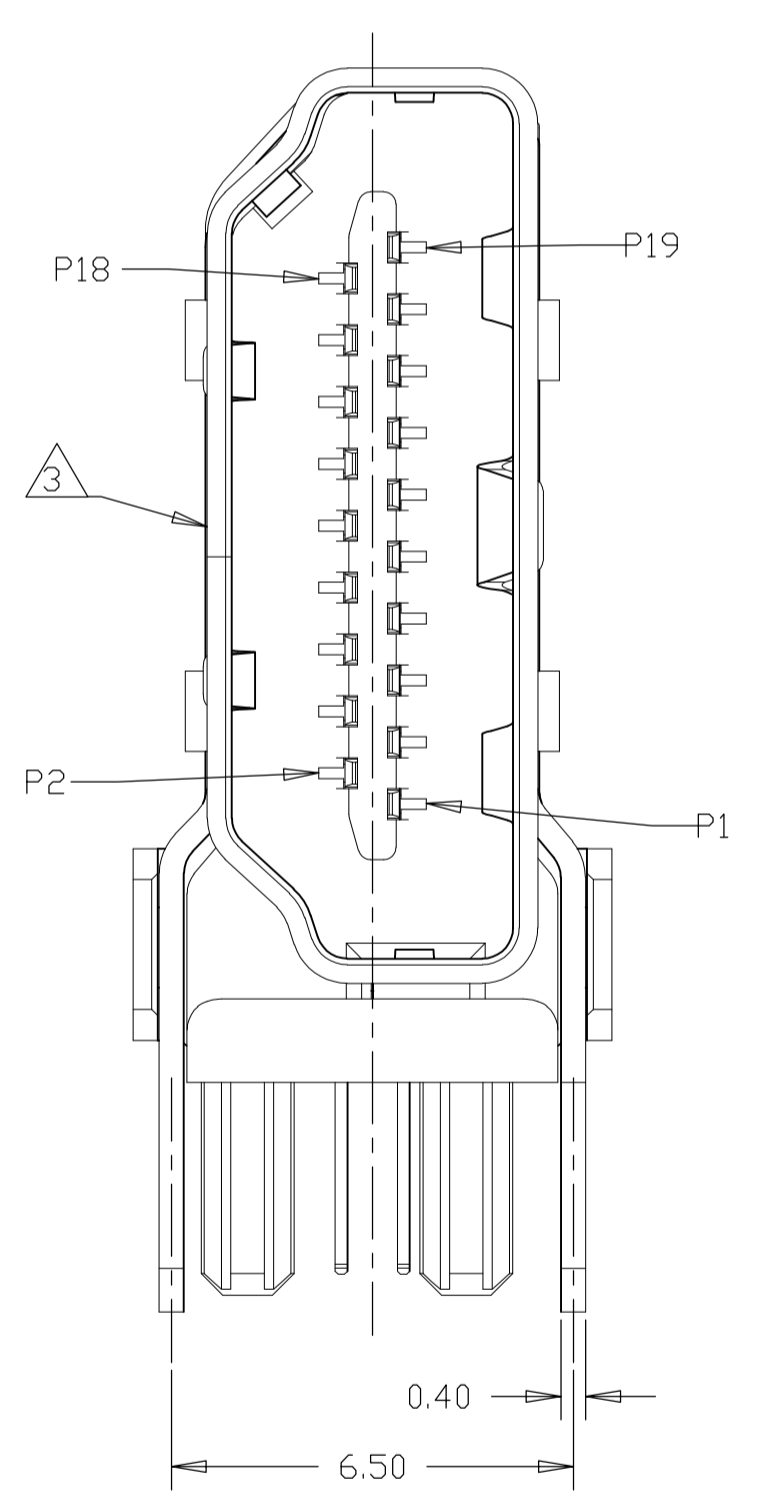
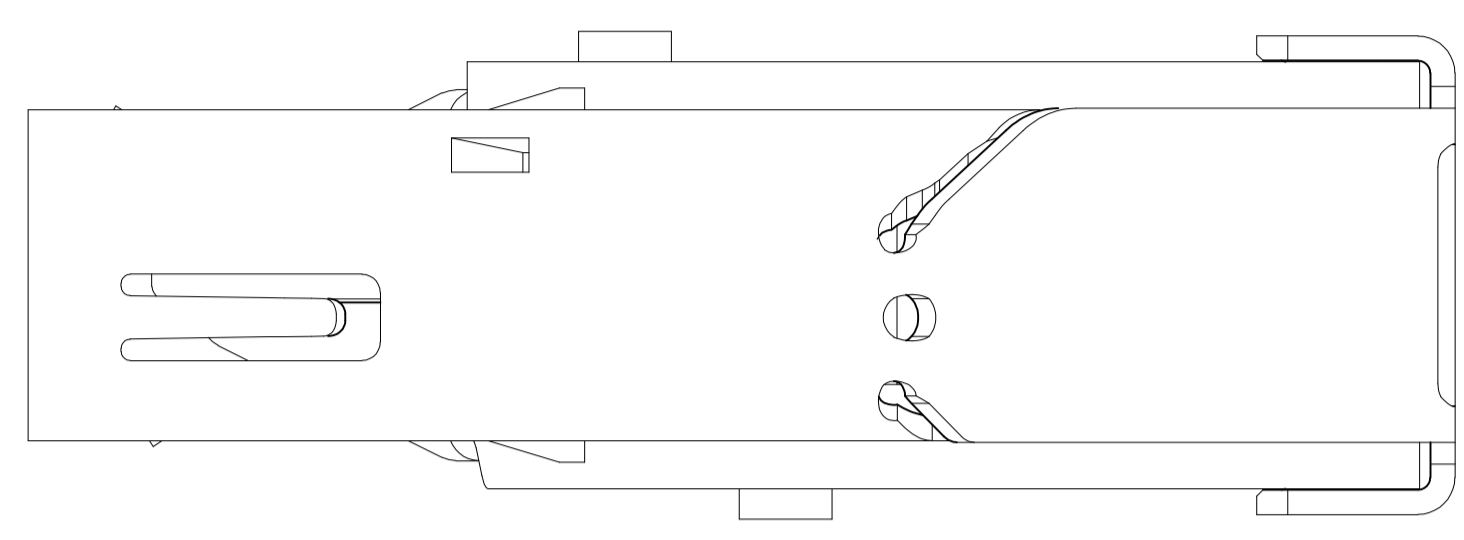
108-60079

SCALE 8:1 SHEET 1 OF 9 REV D

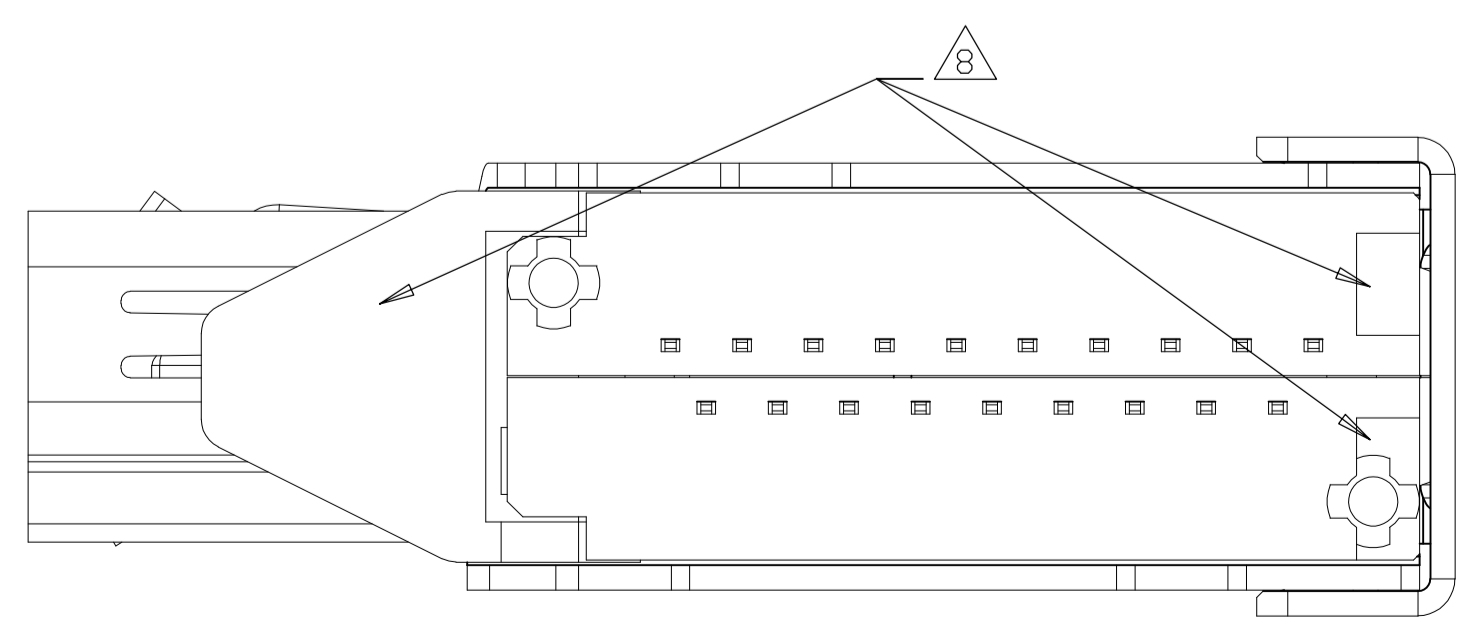
LOC		DIST		REVISIONS			
P	LTR	DESCRIPTION	DATE	DN	APVD		
-	-	SEE SHEET 1	-	-	-	-	-



2007435-2 WITHOUT BOARD LOCK,
 UNMARKED DIMENSIONS SAME AS 2007435-1
 SCALE 6:1

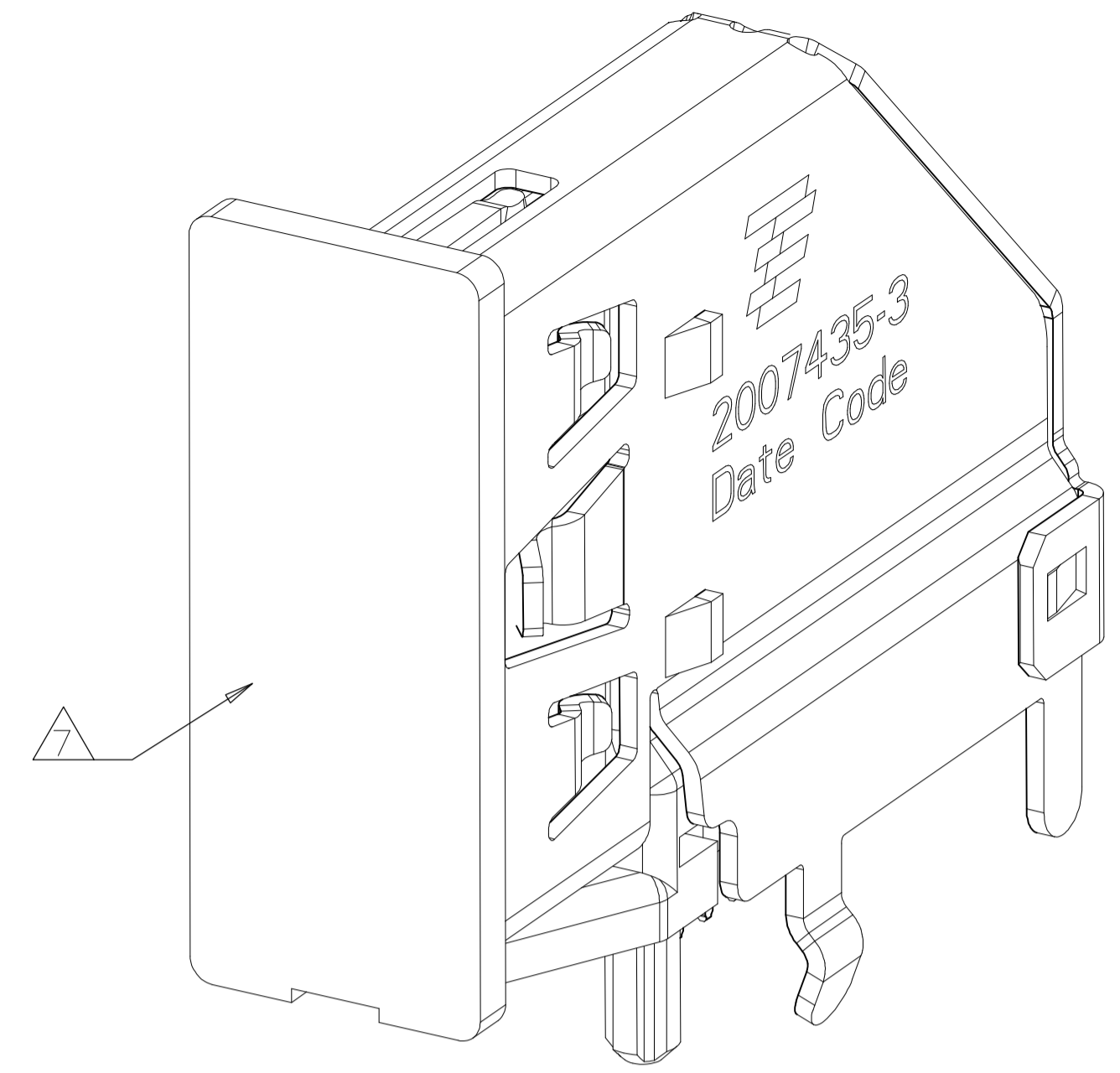


2007435-2
 INSTALLED CONDITION
 SCALE 6:1

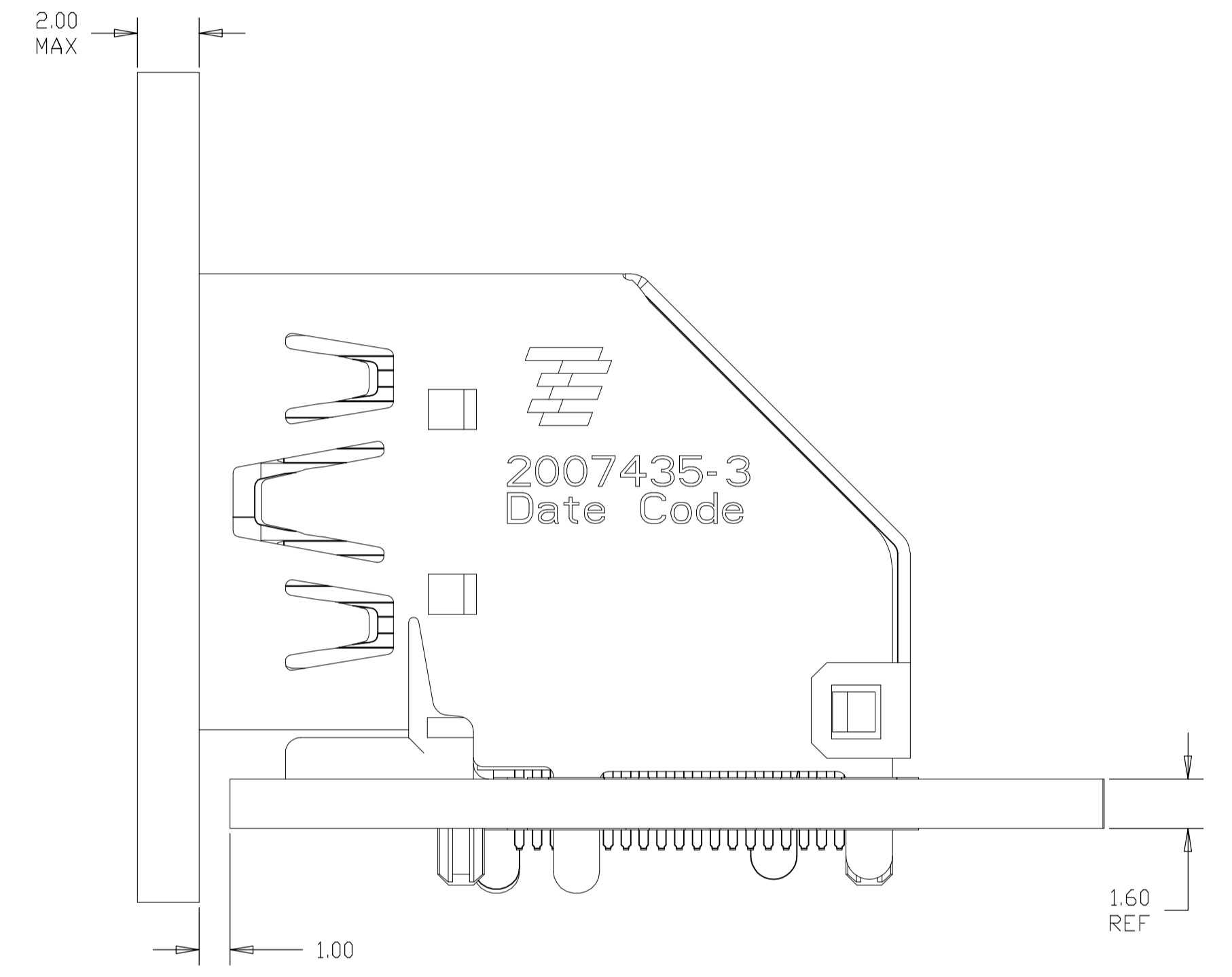
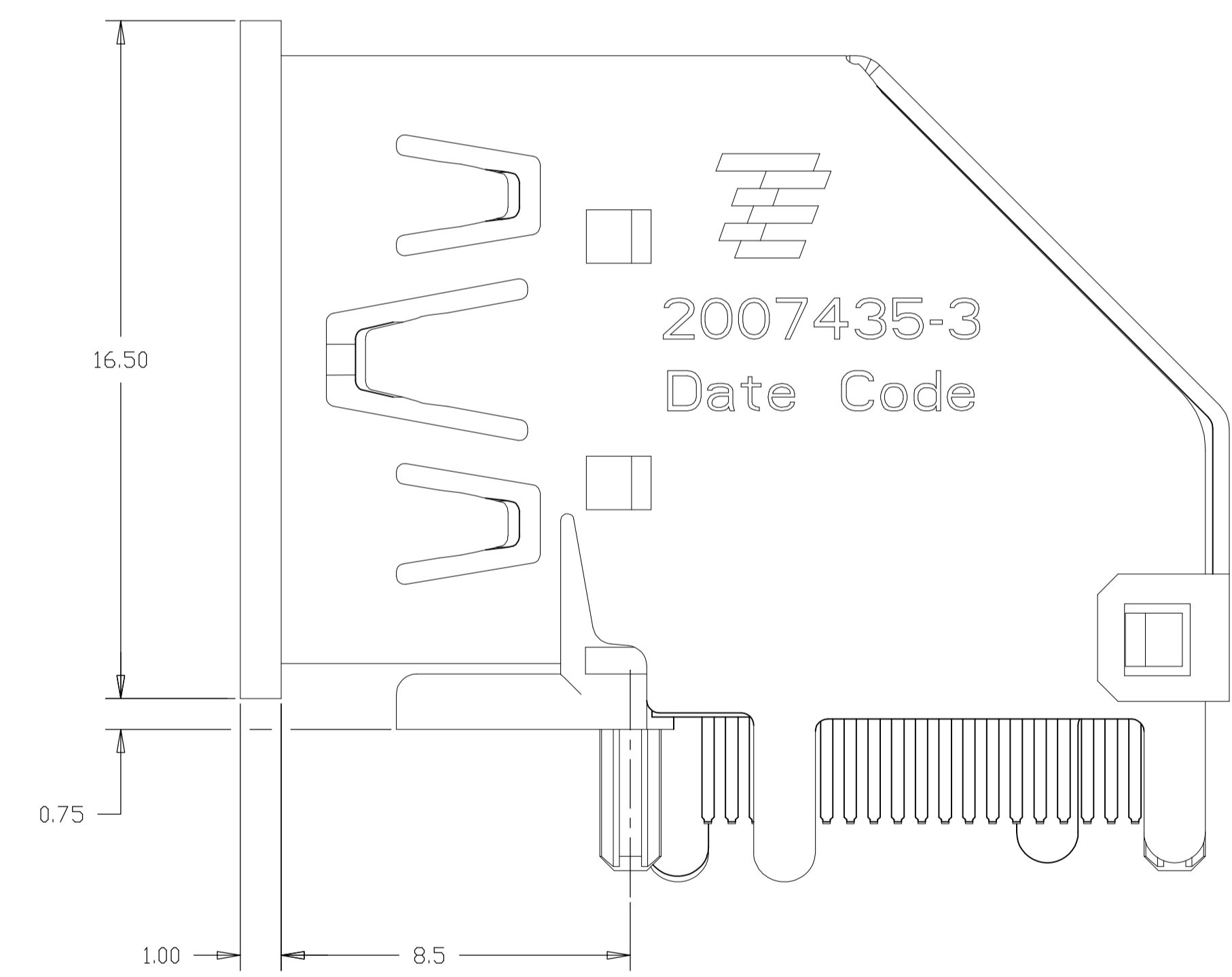
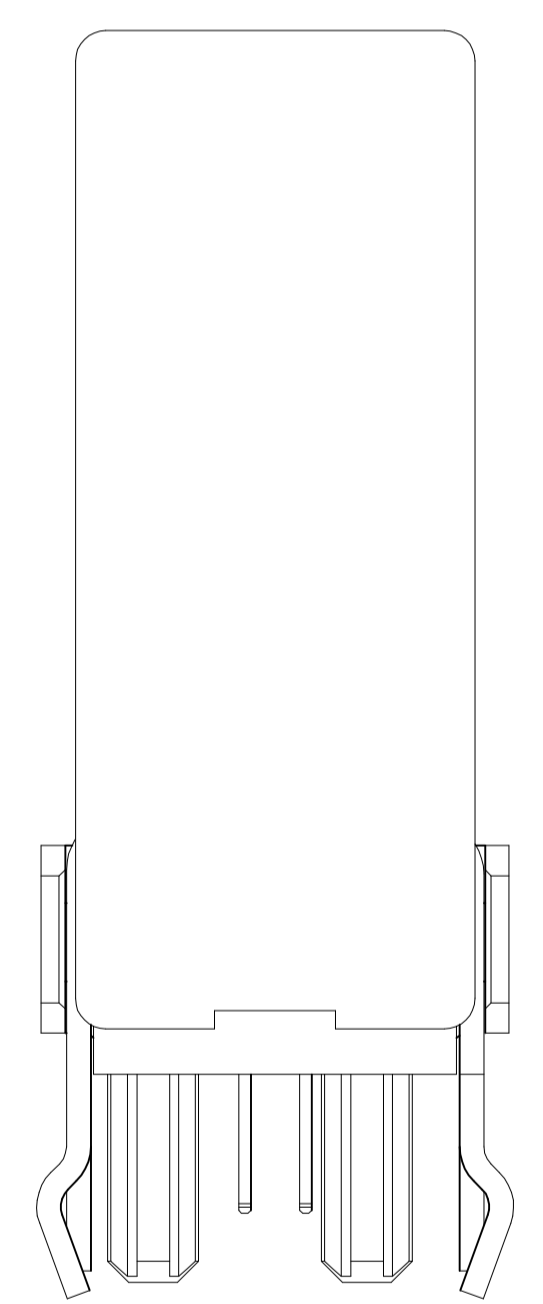
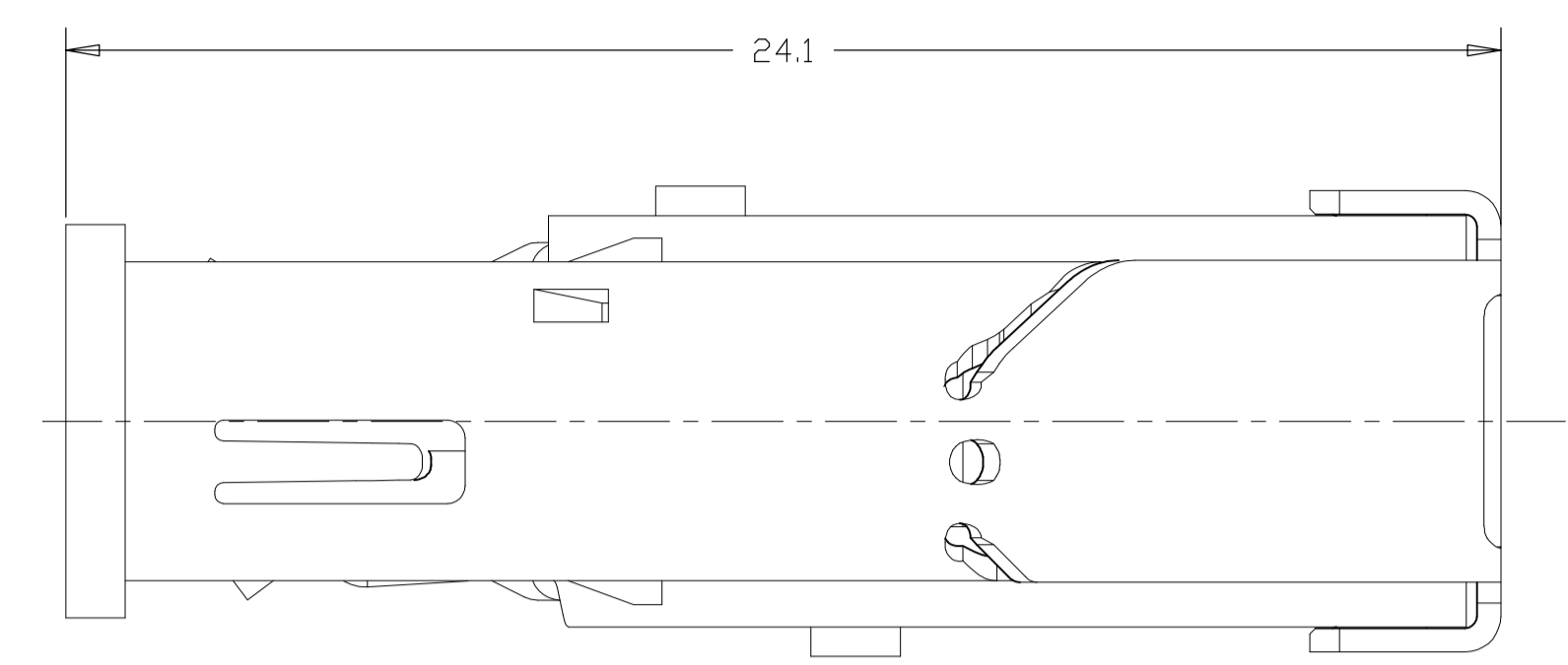


THIS DRAWING IS A CONTROLLED DOCUMENT.		DIN		STE TE Connectivity	
DIMENSIONS: mm		TOLERANCES UNLESS OTHERWISE SPECIFIED:		NAME	
<ul style="list-style-type: none"> 0. PLC ± - 1. PLC ± 0.3 2. PLC ± 0.25 3. PLC ± 0.100 4. PLC ± 0.1000 ANGLES ± - 		APVD		HDMI FLAG CONNECTOR ASSEMBLY	
MATERIAL SEE TABLE		FINISH		APPLICATION SPEC	
		WEIGHT		RESTRICTED TO	
		CUSTOMER DRAWING		SCALE 8:1 SHEET 2 OF 9 REV D	

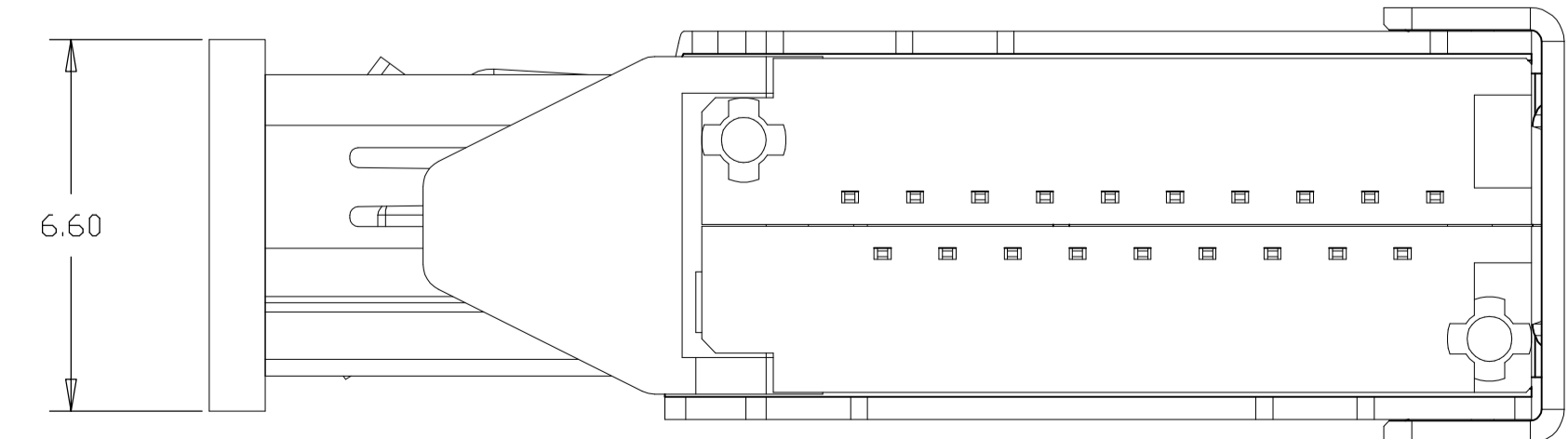
LOC		DIST		REVISIONS			
P	LTR	DESCRIPTION	DATE	DN	APVD		
-	-	SEE SHEET 1	-	-	-	-	-



2007435-3(-5) WITH CAP, UNMARKED
 DIMENSIONS SAME AS 2007435-1
 SCALE 6:1

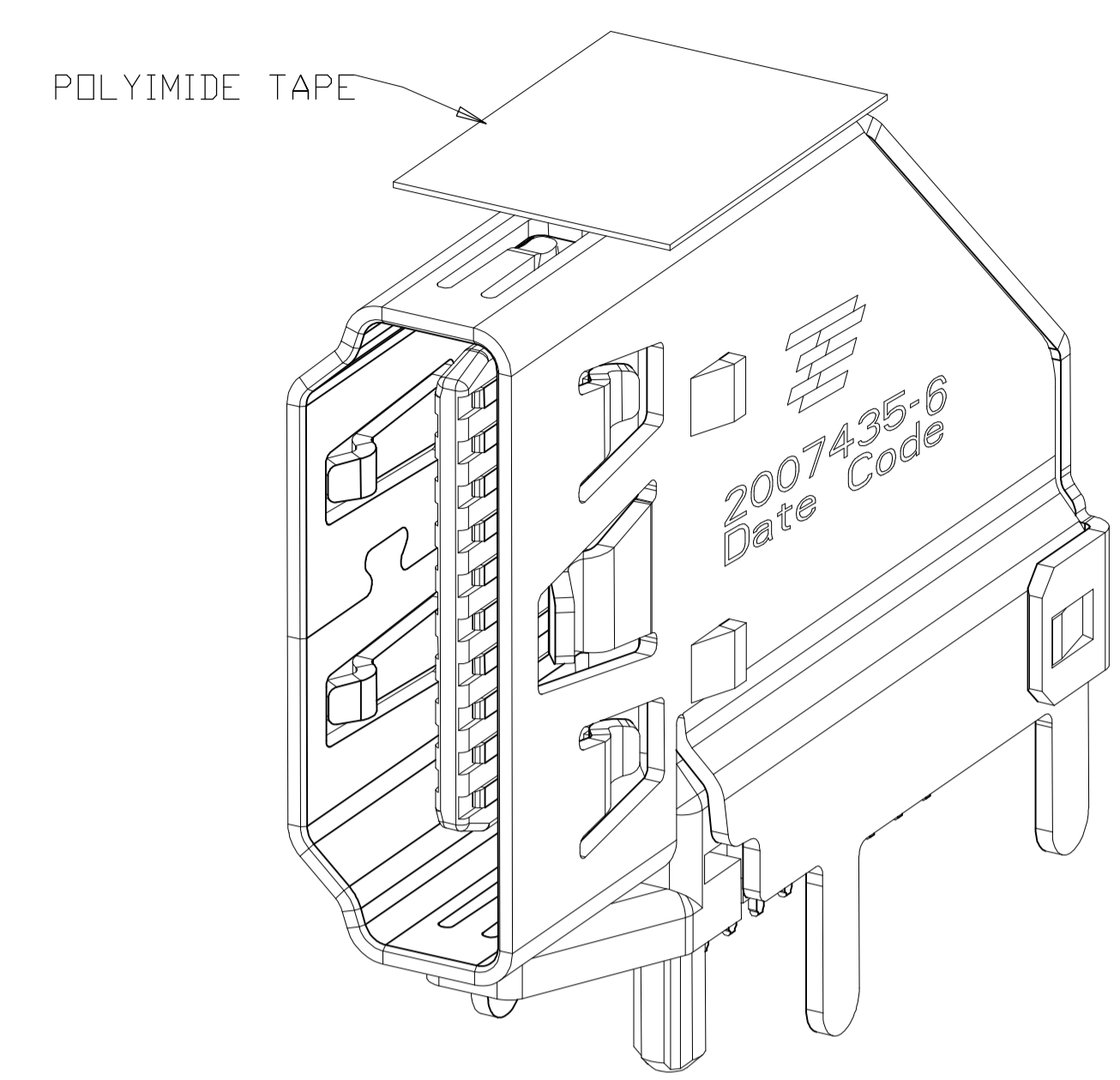
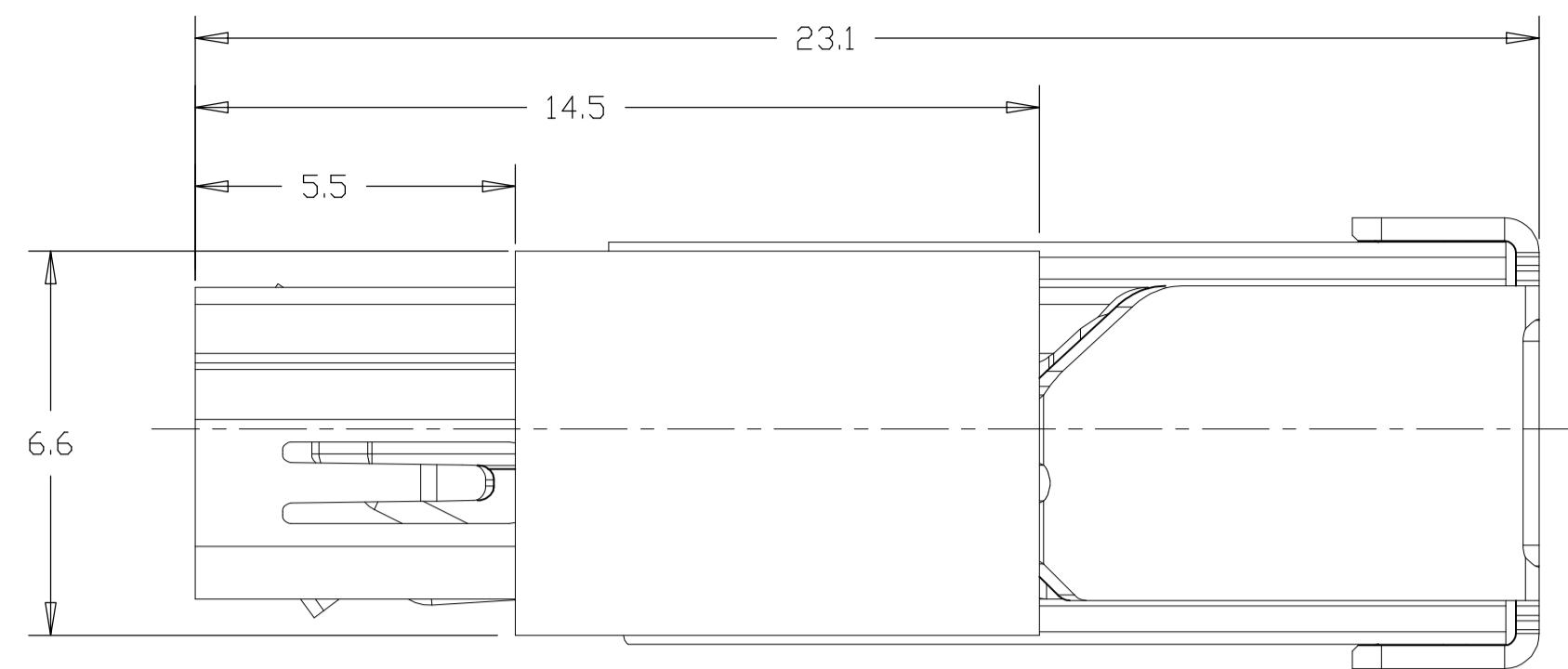


2007435-3(-5)
 INSTALLED CONDITION
 (ONLY FOR AFTER REMOVE CAP)
 SCALE 6:1

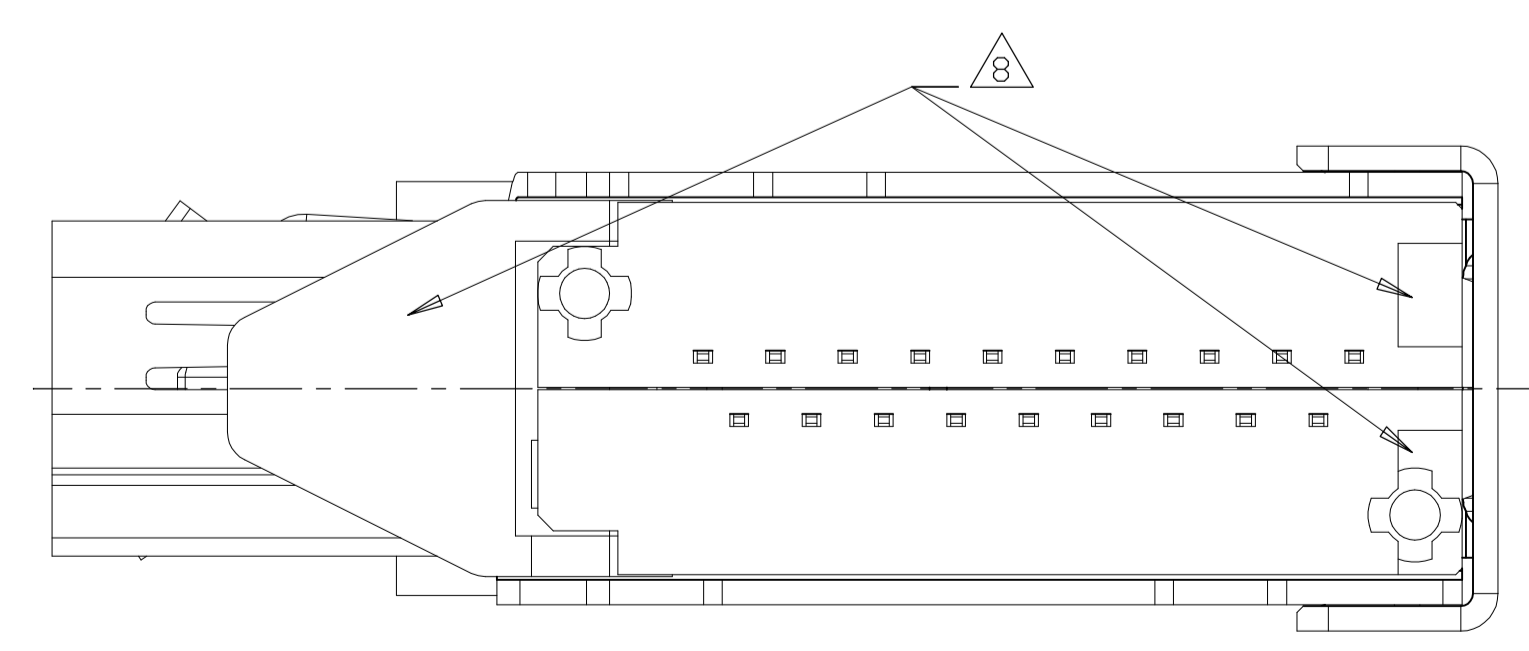
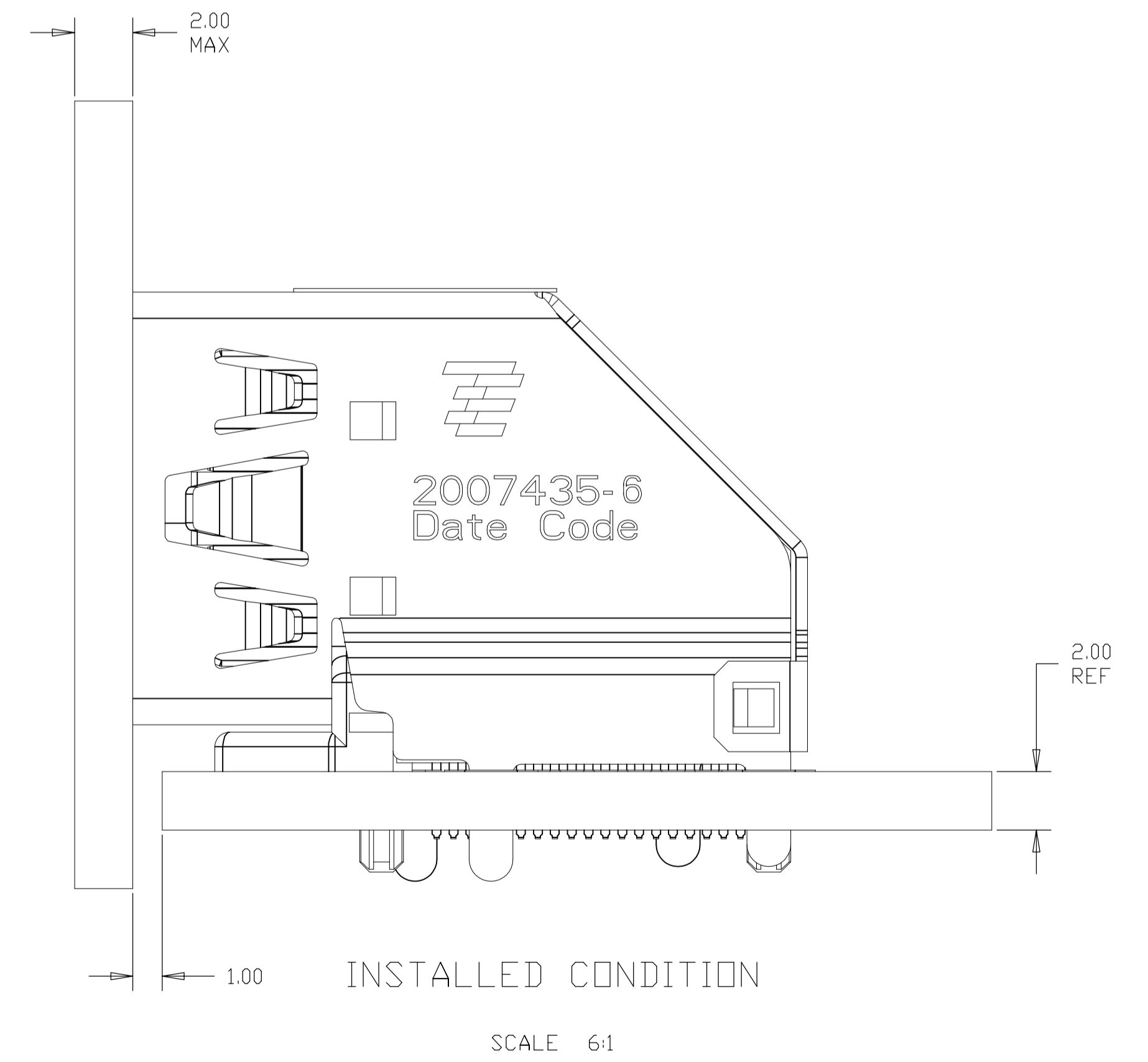
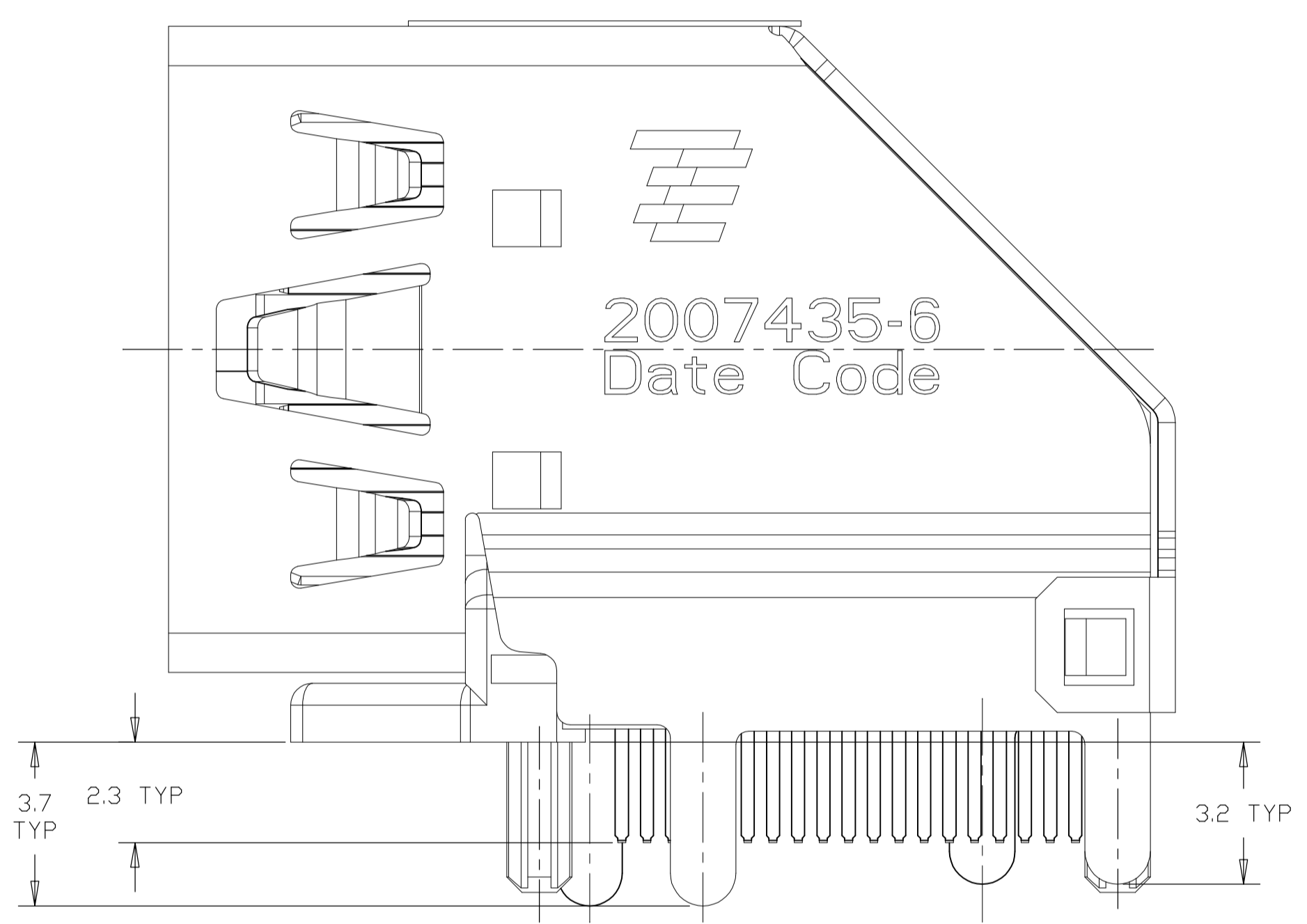
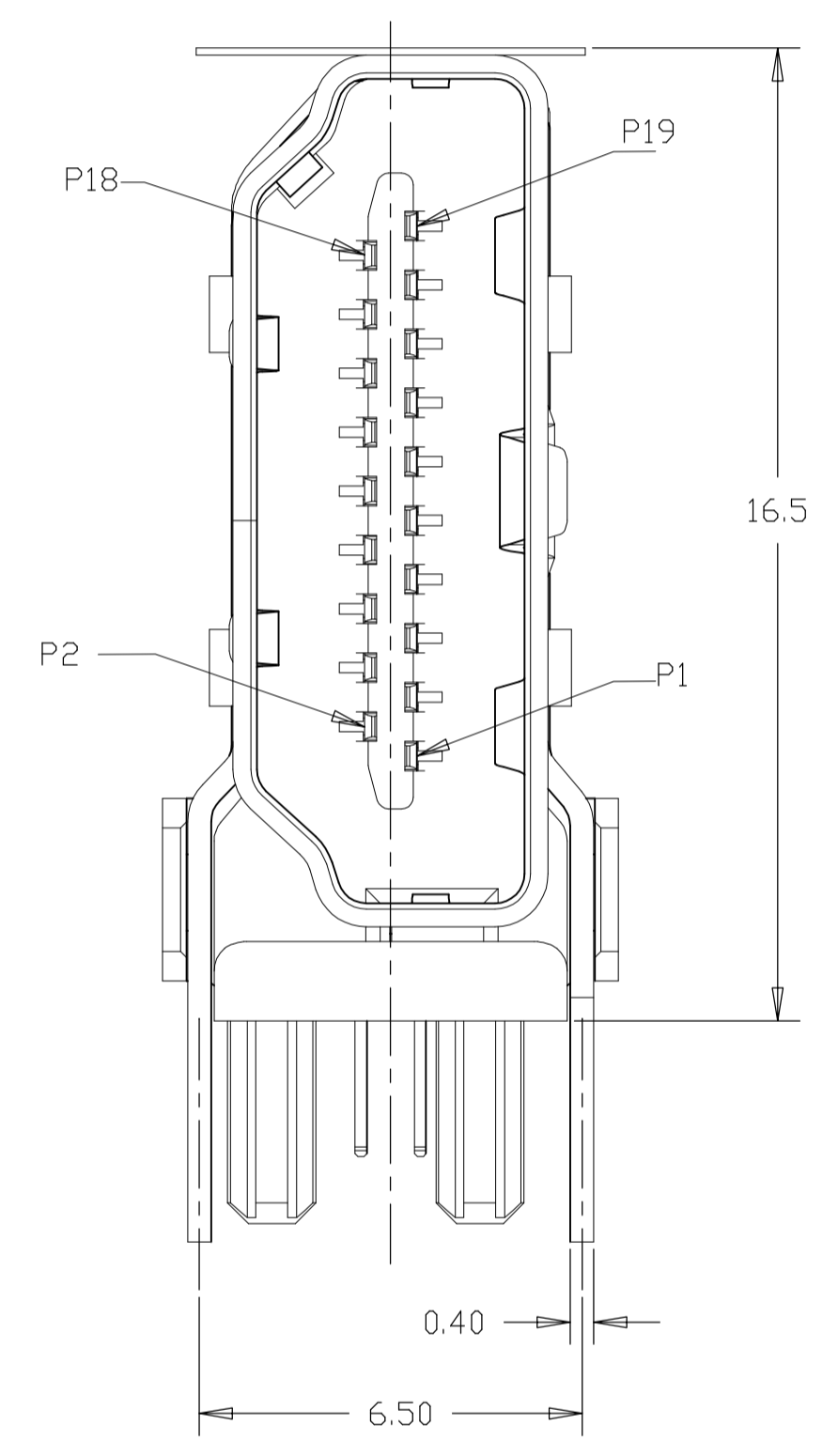


THIS DRAWING IS A CONTROLLED DOCUMENT.		DIN		STE TE Connectivity	
DIMENSIONS: mm		TOLERANCES UNLESS OTHERWISE SPECIFIED:		NAME	
<ul style="list-style-type: none"> 0. PLC ± 0.3 1. PLC ± 0.25 2. PLC ± 0.10 3. PLC ± 0.10 4. PLC ± 0.10 ANGLES ± - 		APVD		HDMI FLAG CONNECTOR ASSEMBLY	
MATERIAL SEE TABLE		FINISH		PRODUCT SPEC	
				APPLICATION SPEC	
				SIZE CAGE CODE DRAWING NO	
				A1 00779 C=2007435	
				RESTRICTED TO	
				CUSTOMER DRAWING	
				SCALE 8:1 SHEET 3 OF 9 REV D	

LOC		DIST		REVISIONS			
P	LTR	DESCRIPTION	DATE	DWN	APVD		
-	-	SEE SHEET 1	-	-	-	-	-

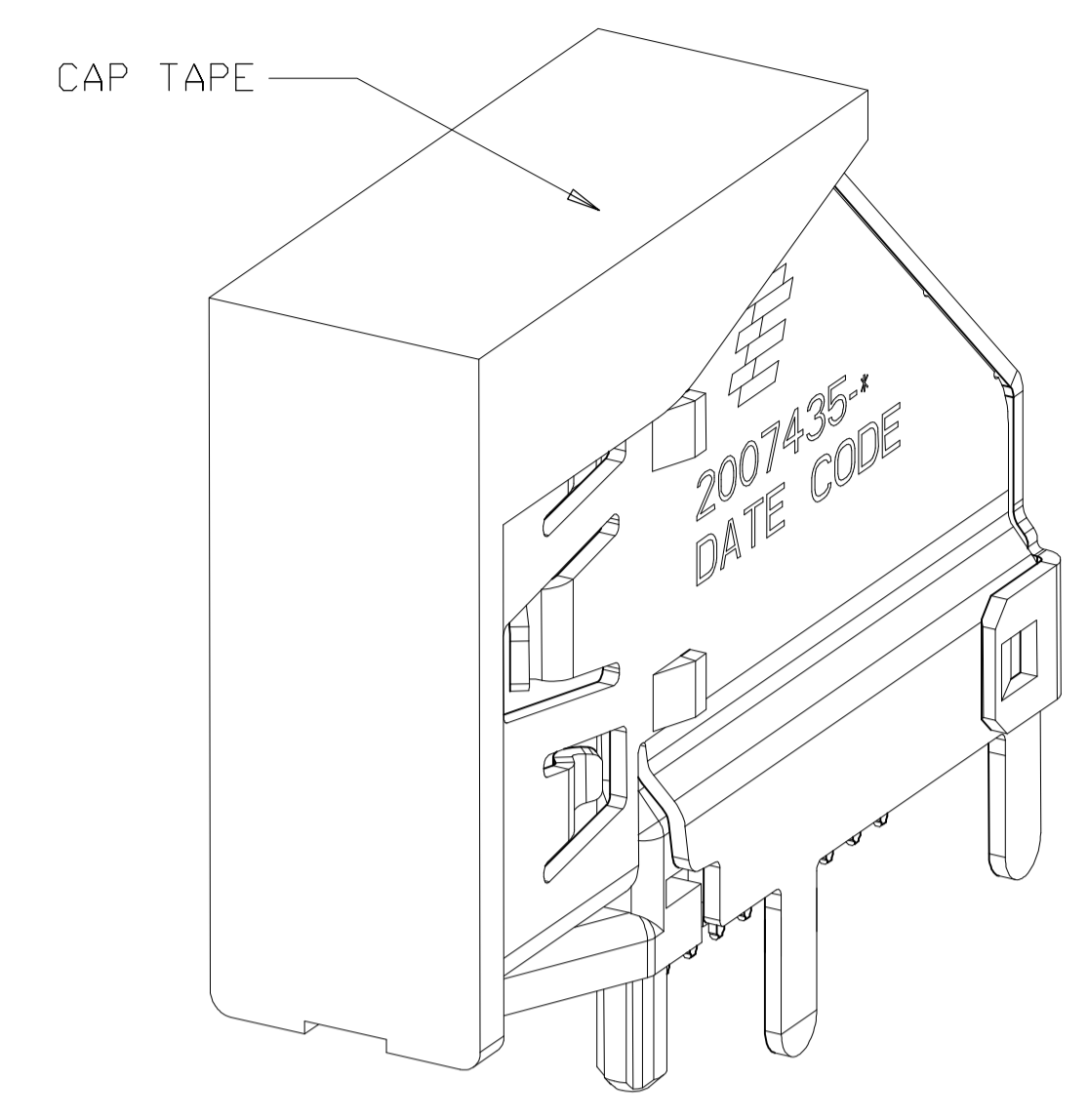
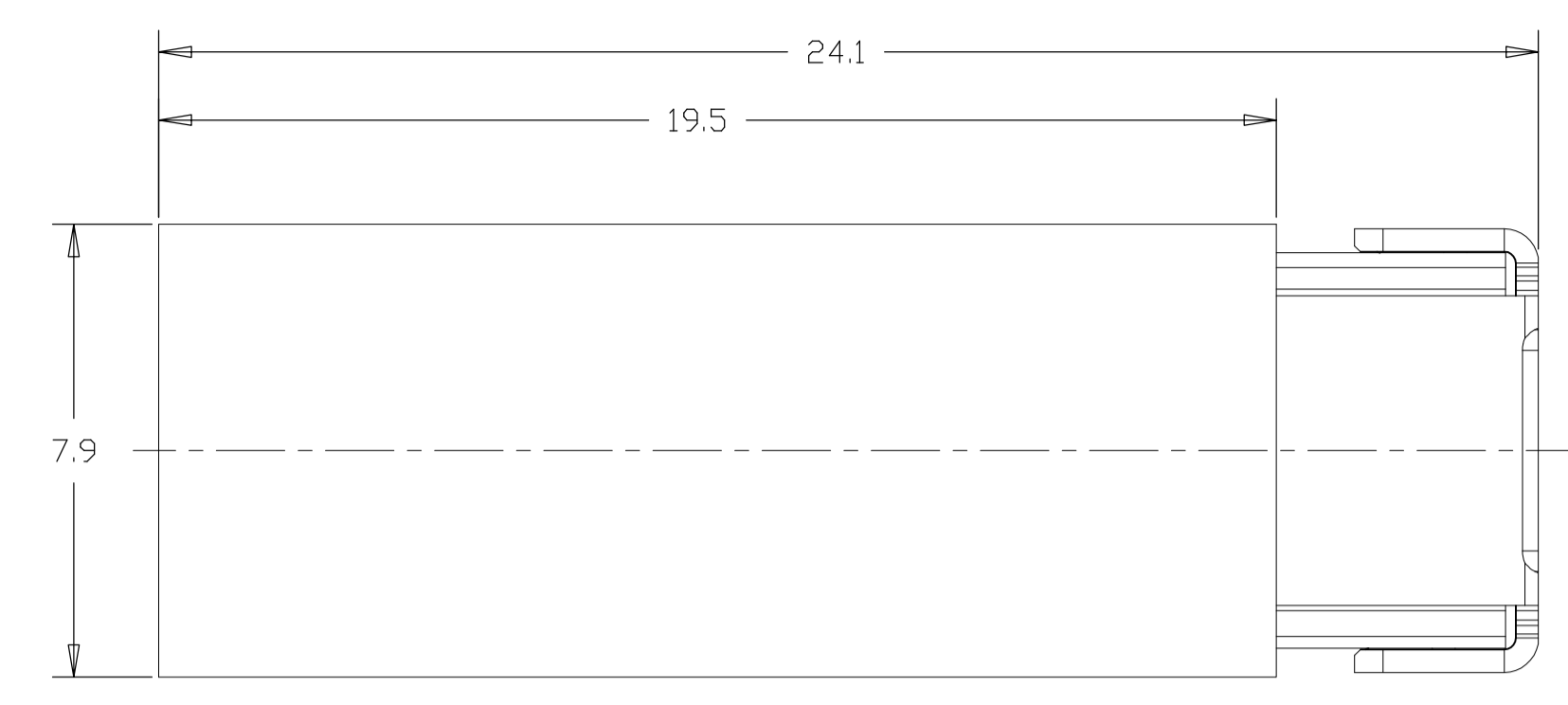


2007435-6 WITH POLYIMIDE TAPE,
UNMARKED DIMENSIONS SAME AS 2007435-1
SCALE 6:1



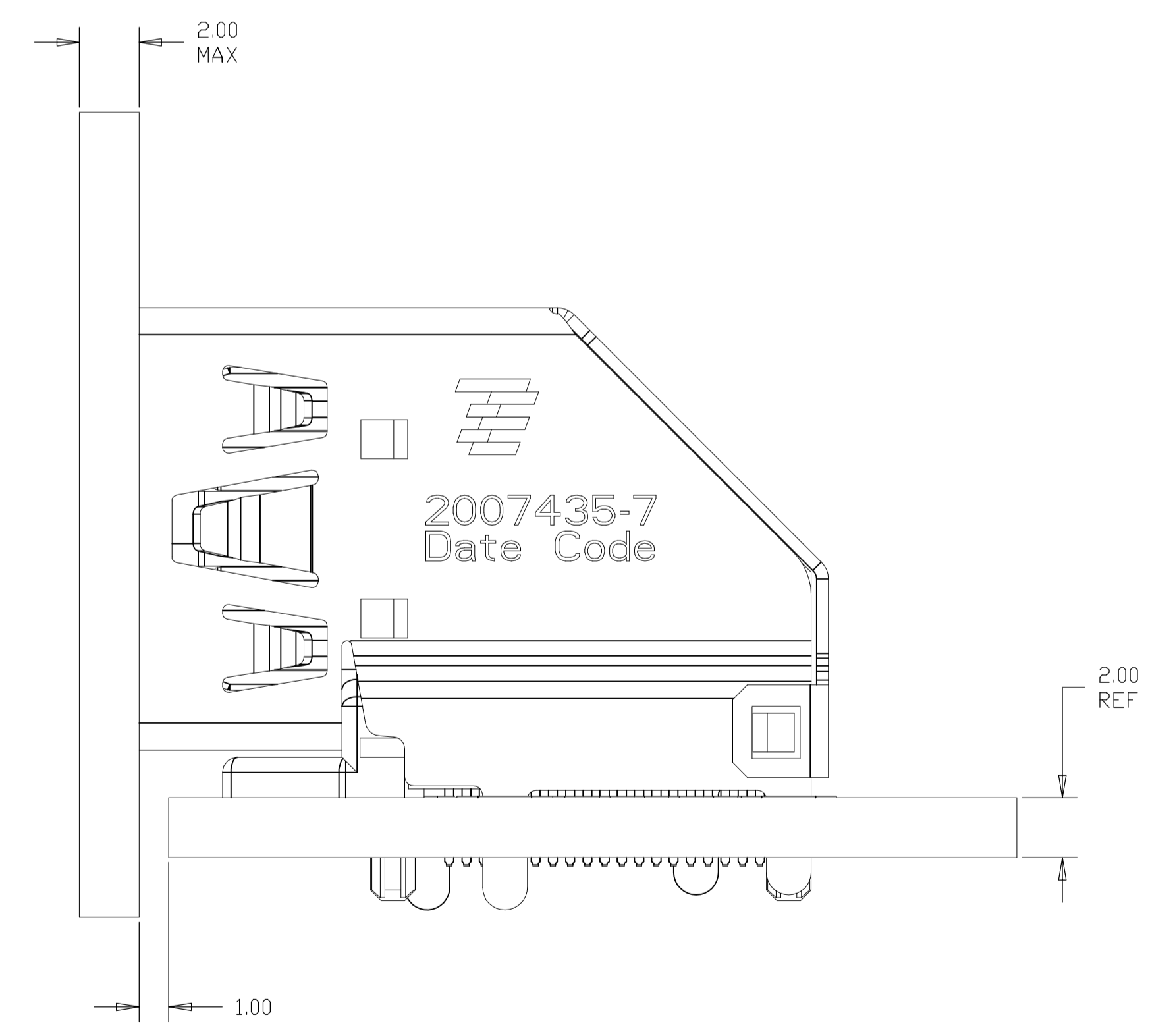
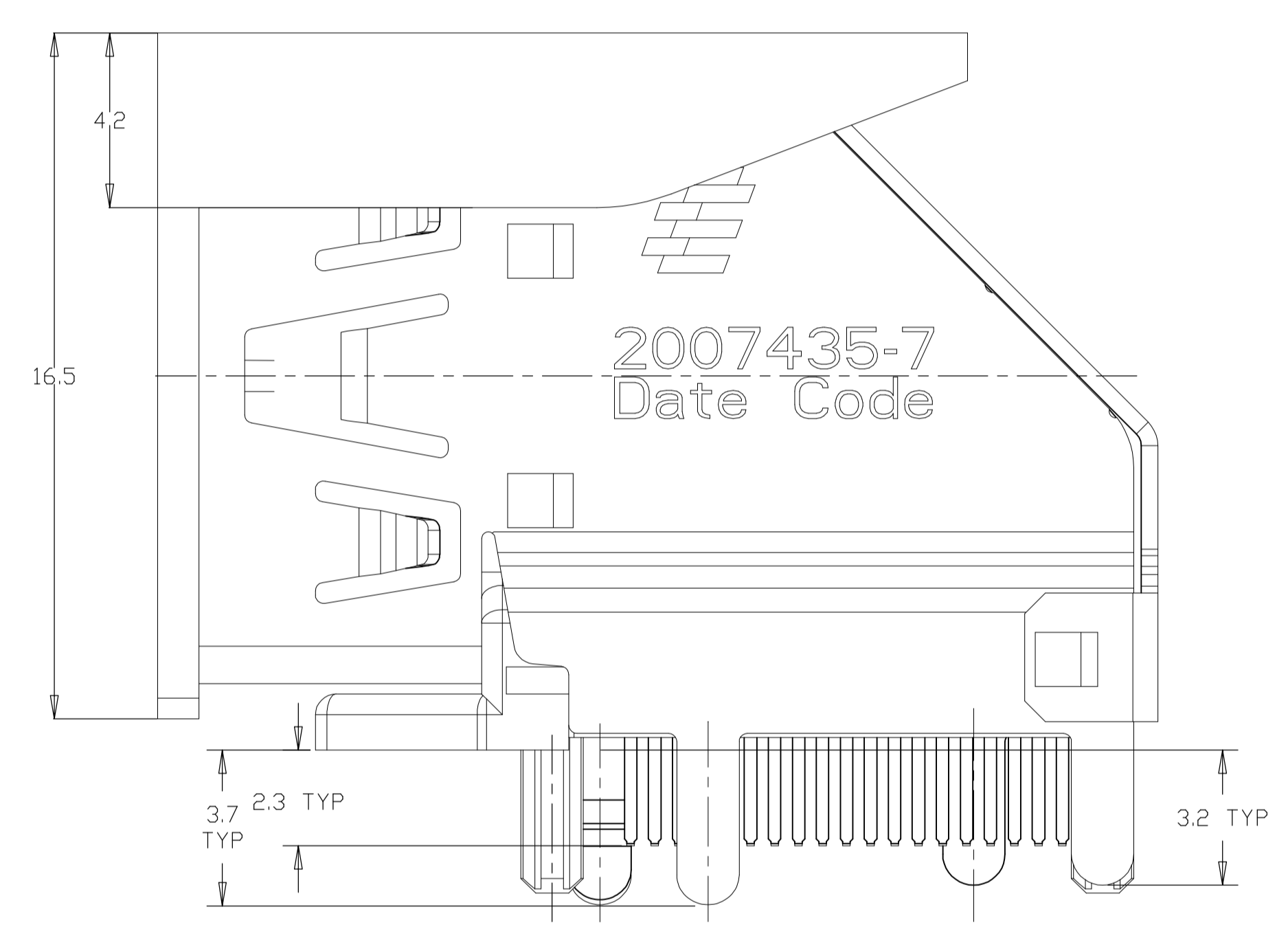
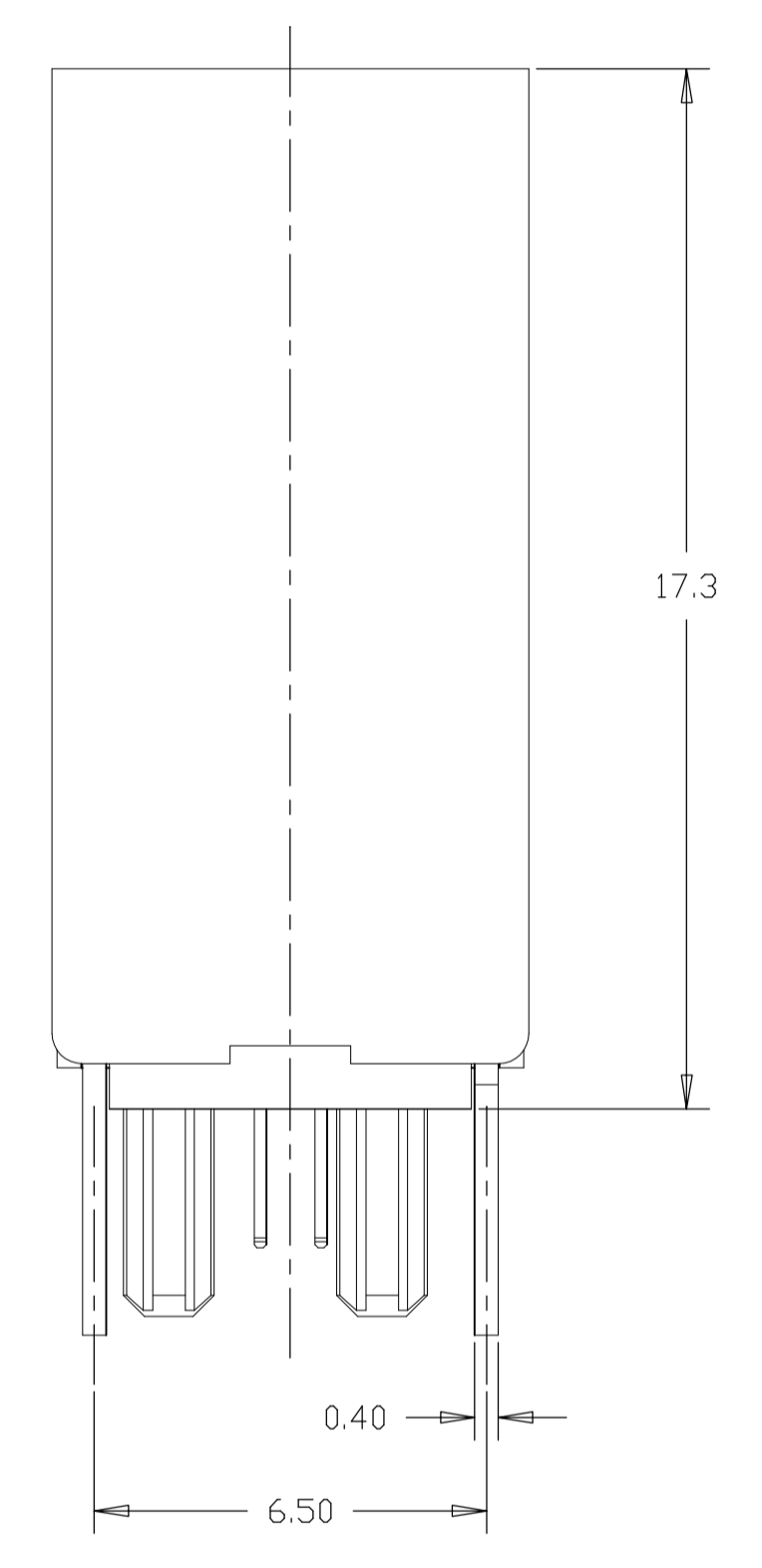
THIS DRAWING IS A CONTROLLED DOCUMENT.		DWN		
DIMENSIONS: mm		CHK		
TOLERANCES UNLESS OTHERWISE SPECIFIED:		APVD	NAME	
0. PLC	± 0.3	PRODUCT SPEC	HDMI FLAG CONNECTOR ASSEMBLY	
1. PLC	± 0.25	APPLICATION SPEC	SIZE	CAGE CODE
2. PLC	± 0.10	WEIGHT	A1	00779
3. PLC	± 0.10	CUSTOMER DRAWING	SCALE	8:1
4. PLC	± 0.10		SHEET	4 OF 9
ANGLES	± -		REV	D
FINISH	2			

LOC		DIST		REVISIONS			
P	LTR	DESCRIPTION	DATE	DNW	APVD		
-	-	SEE SHEET 1	-	-	-		

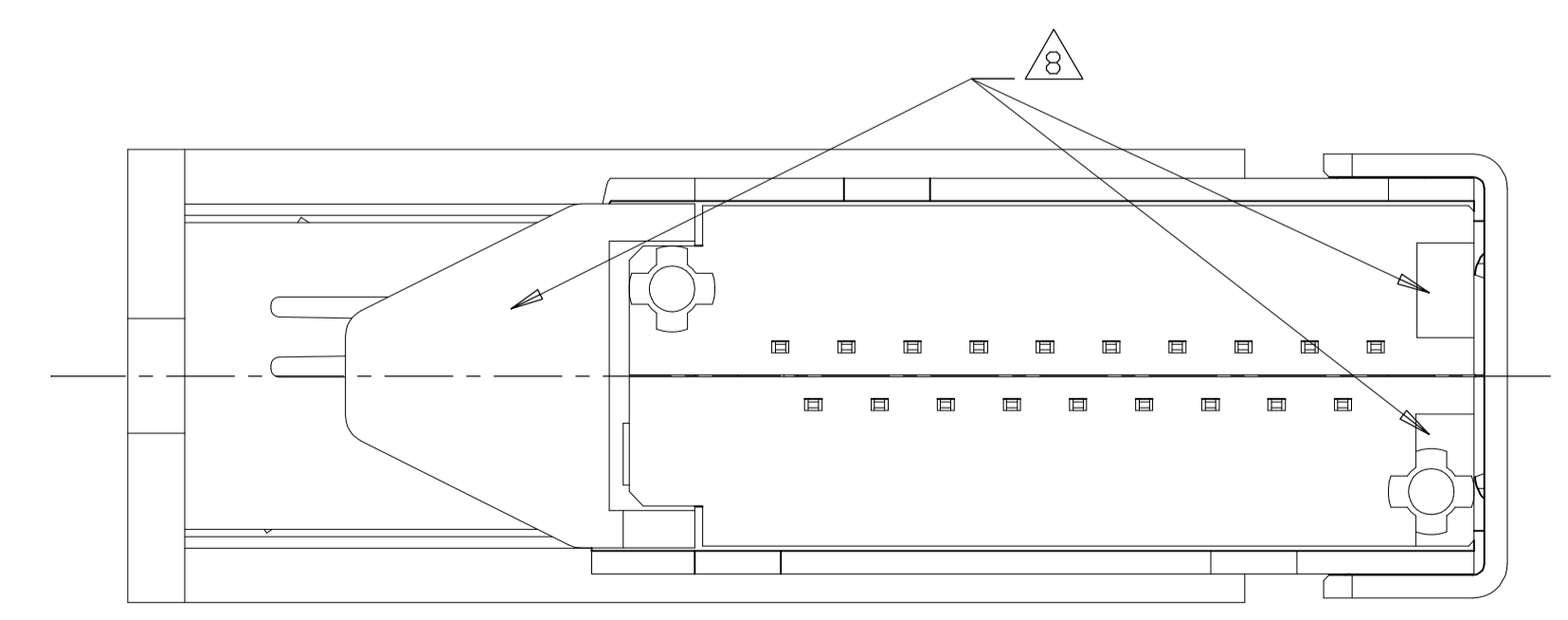


2007435-7 WITH CAP,
UNMARKED DIMENSIONS SAME AS 2007435-1

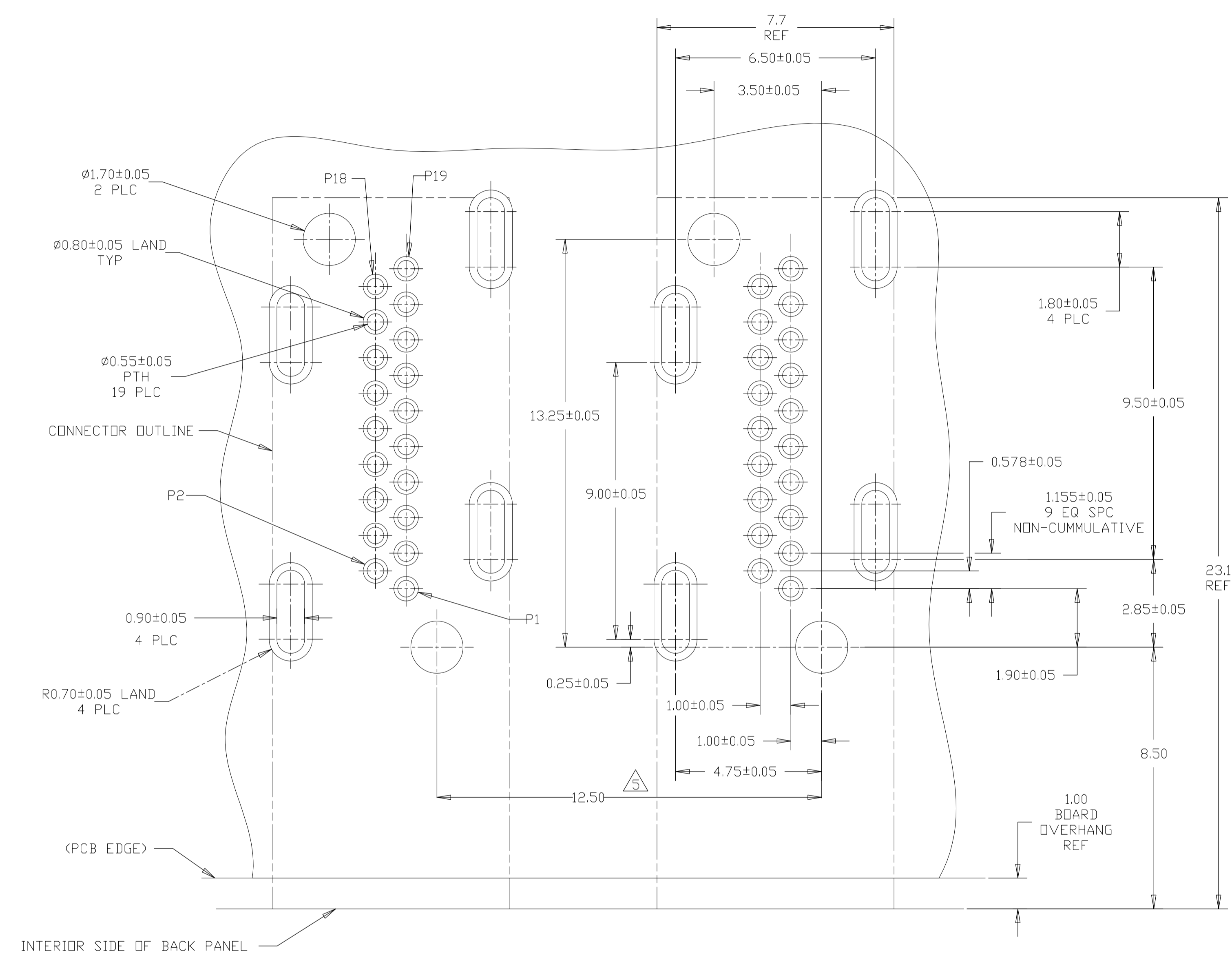
SCALE 6:1



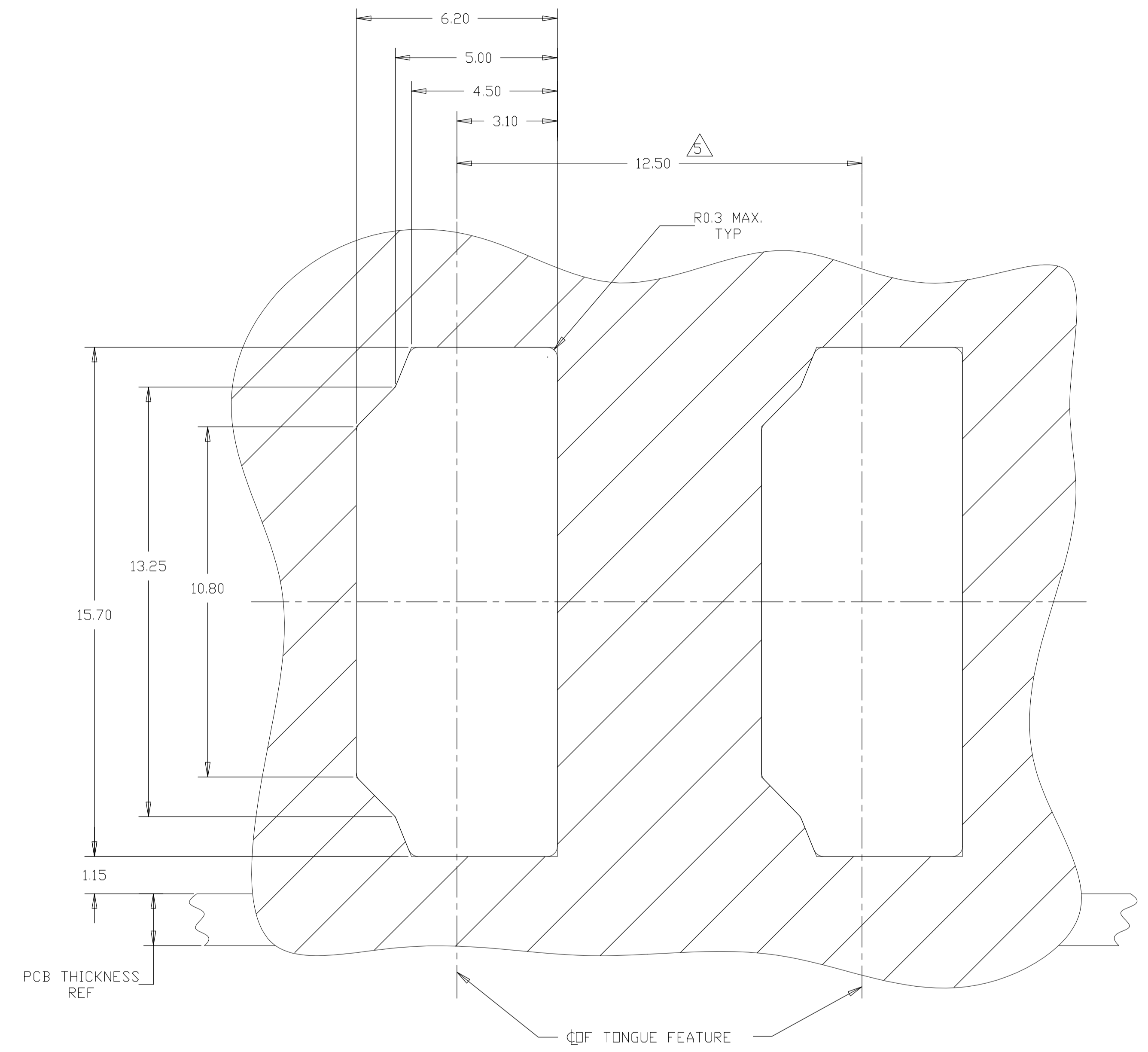
INSTALLED CONDITION
(ONLY FOR AFTER REMOVE CAP)
SCALE 6:1



THIS DRAWING IS A CONTROLLED DOCUMENT.		DIN		STE		TE Connectivity	
DIMENSIONS: mm		TOLERANCES UNLESS OTHERWISE SPECIFIED:		NAME		HDMI FLAG CONNECTOR ASSEMBLY	
<ul style="list-style-type: none"> 0. PLC ± 0.3 1. PLC ± 0.25 2. PLC ± 0.10 3. PLC ± 0.10 4. PLC ± 0.10 ANGLES ± - 		<ul style="list-style-type: none"> APVD PRODUCT SPEC APPLICATION SPEC 		SIZE		RESTRICTED TO	
MATERIAL SEE TABLE		FINISH		WEIGHT		A1 00779 C=2007435	
				CUSTOMER DRAWING		SCALE 8:1 SHEET 5 OF 9 REV D	



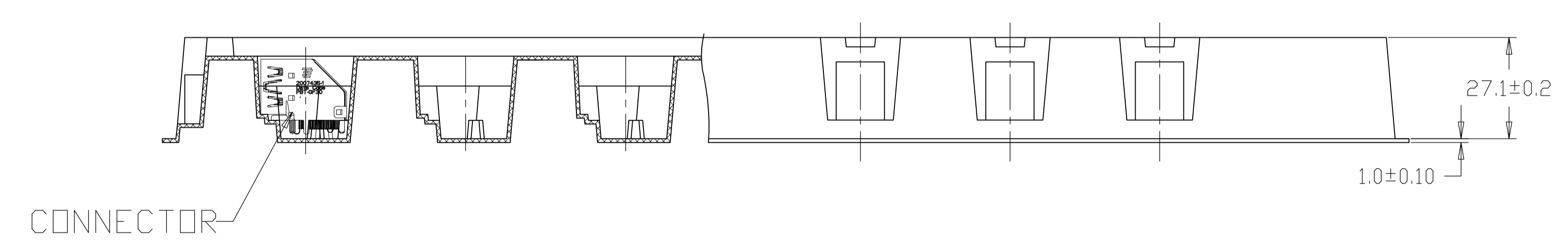
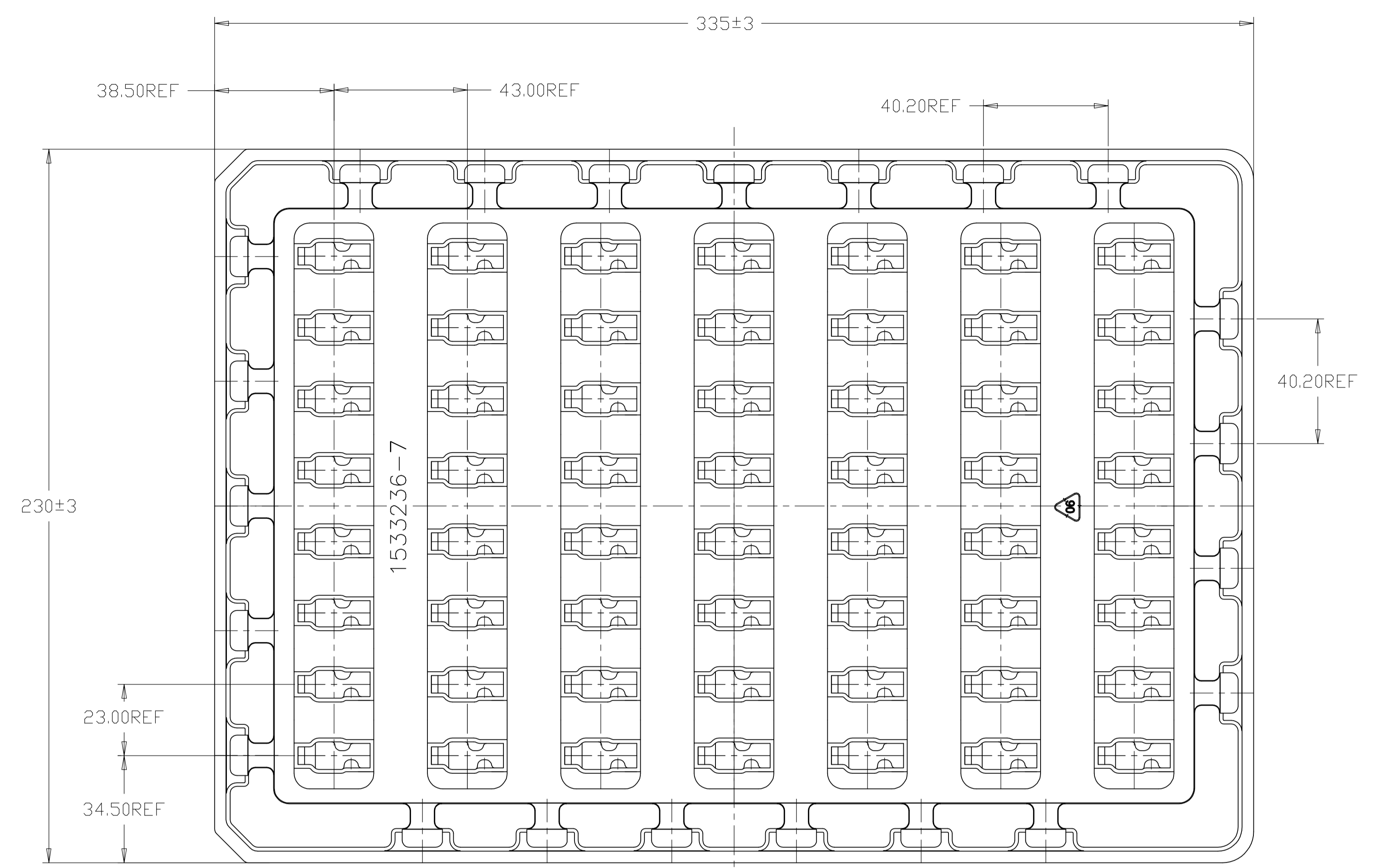
PCB LAYOUT
SCALE 10:1



RECOMMENDED PANEL CUTOUT
SCALE 10:1

THIS DRAWING IS A CONTROLLED DOCUMENT.		DWN	TE Connectivity	
DIMENSIONS:	TOLERANCES UNLESS OTHERWISE SPECIFIED:	CHK	NAME	HDMI FLAG CONNECTOR ASSEMBLY
mm	0 PLC ± -	APVD	PRODUCT SPEC	
	1 PLC ± 0.1	APPLICATION SPEC	SIZE	A1
	2 PLC ± 0.10		CAGE CODE	00779
	3 PLC ± 0.100		DRAWING NO	2007435
	4 PLC ± 0.1000		RESTRICTED TO	
	ANGLES ± -	WEIGHT	CUSTOMER DRAWING	
MATERIAL	FINISH		SCALE	8:1
			SHEET	6 OF 9
			REV	D

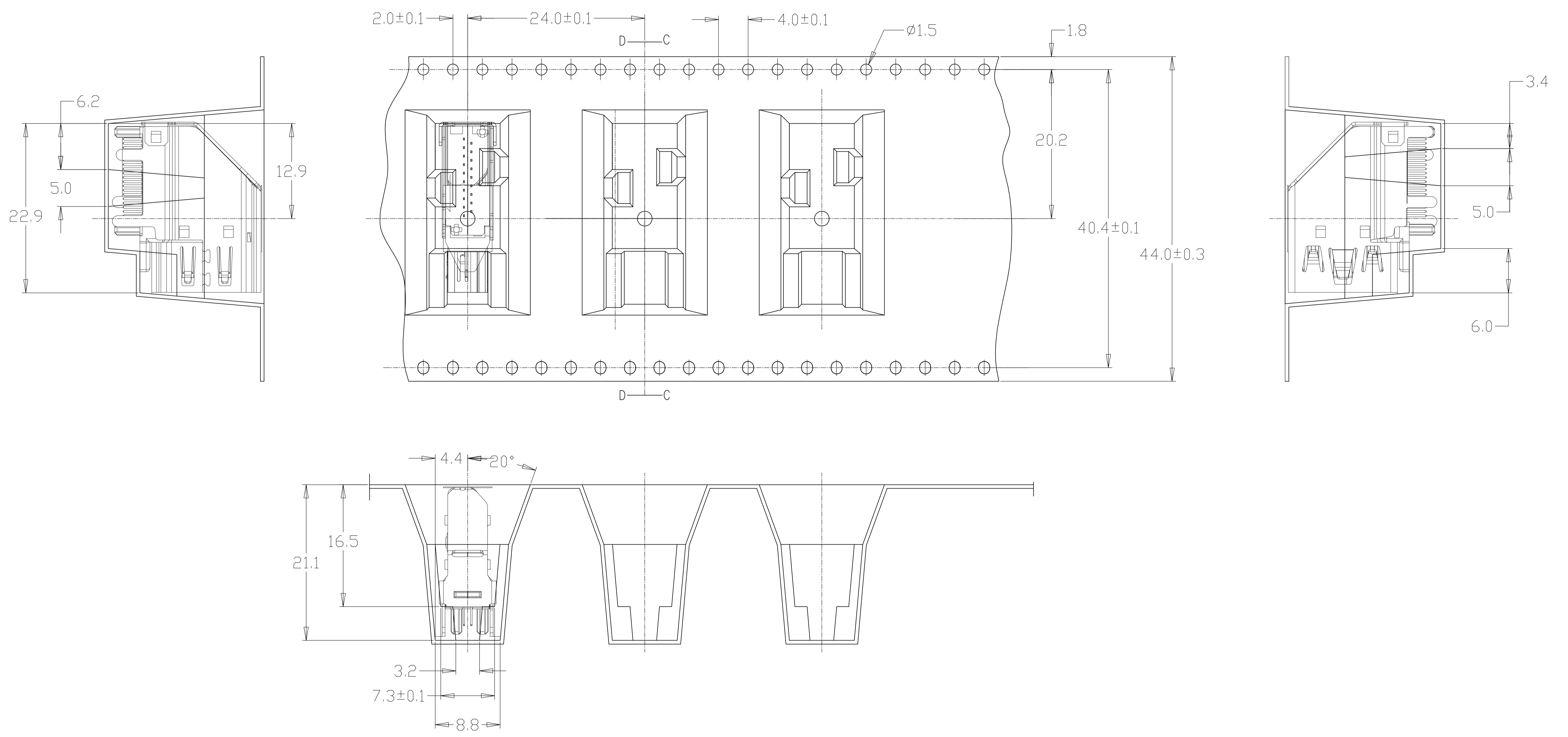
LOC		DIST		REVISIONS			
#	LTR	DESCRIPTION	DATE	DWN	APVD		
-	-	SEE SHEET 1	-	-	-		



PACKAGE TRAY
 FOR PART NUMBER
 2007435-1,-2,-3,-4,-5

THIS DRAWING IS A CONTROLLED DOCUMENT.		DWN	TE Connectivity	
DIMENSIONS: mm		CHK	NAME	
TOLERANCES UNLESS OTHERWISE SPECIFIED:		APVD	HDMI FLAG CONNECTOR ASSEMBLY	
0 PLC ± -	1 PLC ± -	PRODUCT SPEC	-	
2 PLC ± -	3 PLC ± -	APPLICATION SPEC	-	
4 PLC ± -	ANGLES ± ±	WEIGHT	-	
MATERIAL	FINISH	SIZE	CAGE CODE	DRAWING NO
		A1	00779	2007435
CUSTOMER DRAWING		SCALE	N/A	SHEET 7 OF 9
		REV	D	

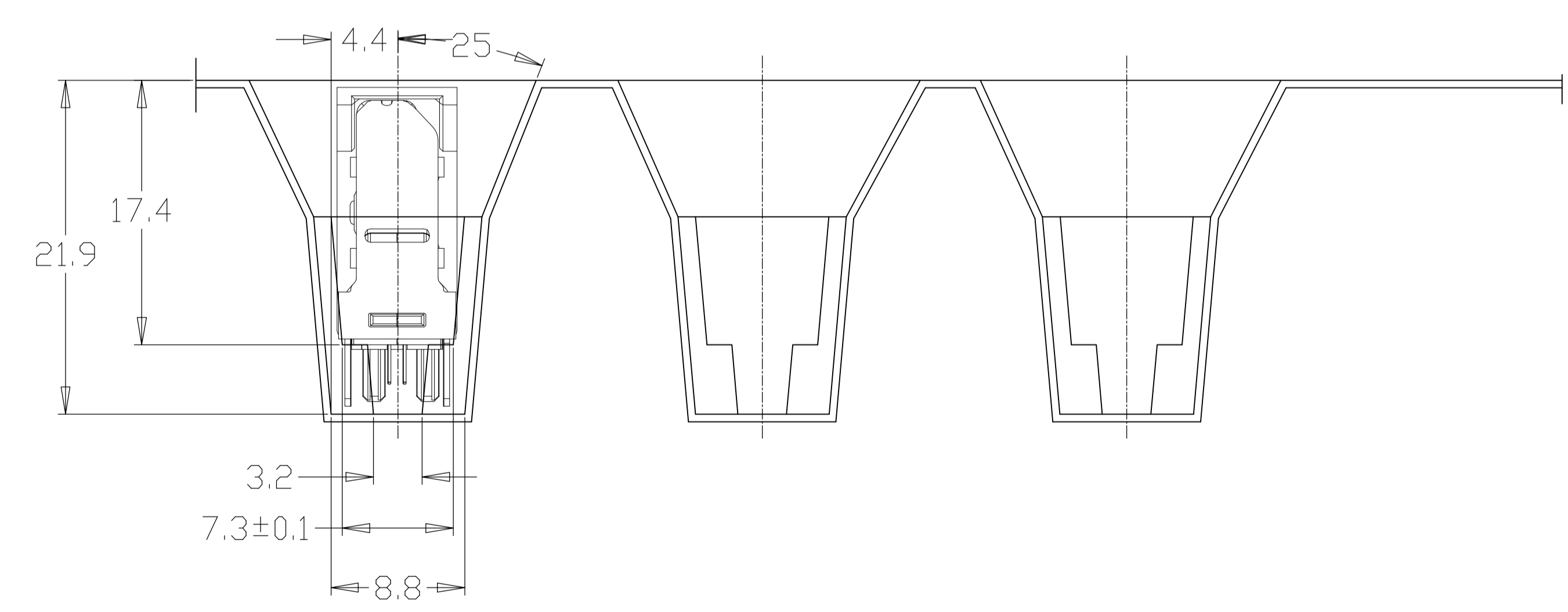
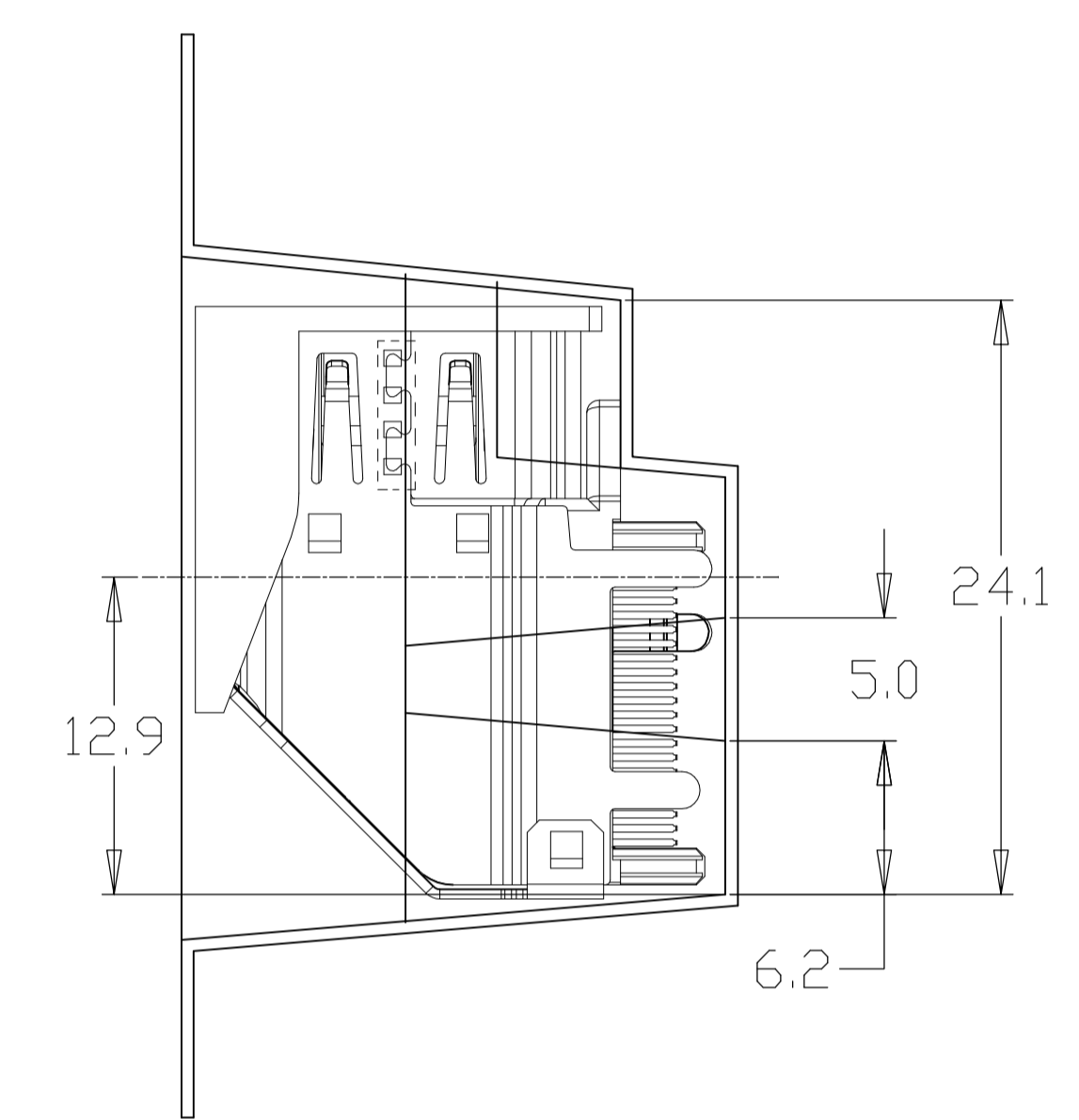
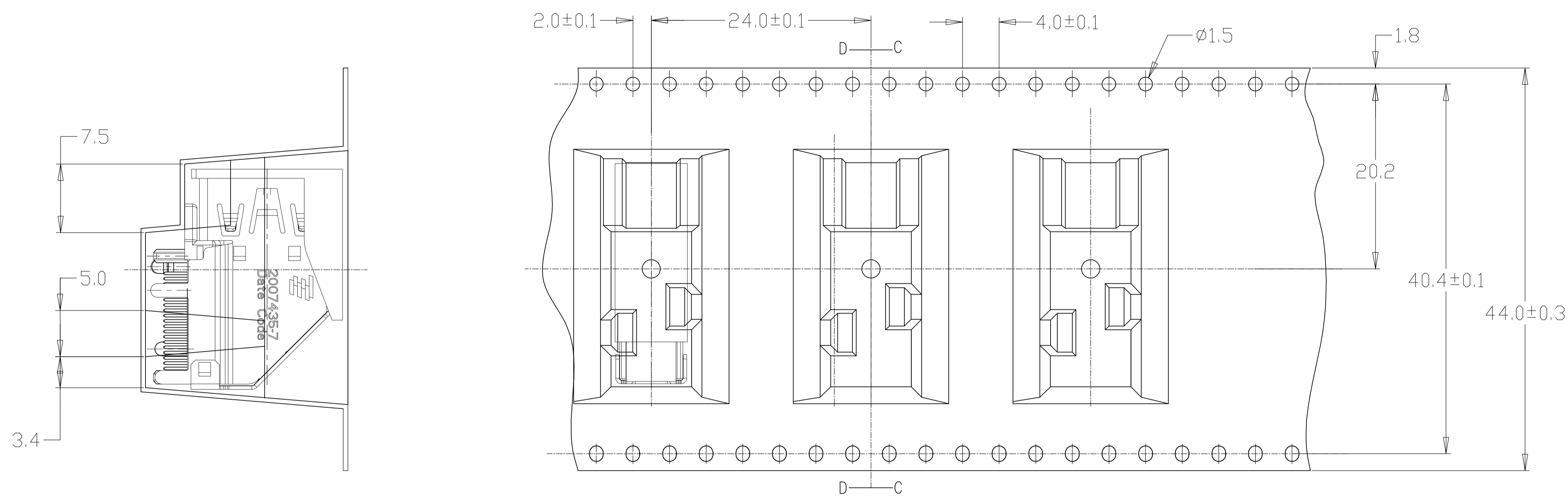
LOC		DIST		REVISIONS			
P	LTR	DESCRIPTION	DATE	DWN	APVD		
-	-	SEE SHEET 1	-	-	-	-	-



EMBOSS TAPE
FOR PART NUMBER 2007435-6

THIS DRAWING IS A CONTROLLED DOCUMENT.		DWN	TE Connectivity	
DIMENSIONS: mm		CHK	NAME	
TOLERANCES UNLESS OTHERWISE SPECIFIED:		APVD	HDMI FLAG CONNECTOR ASSEMBLY	
0. PLC	± 0.3	PRODUCT SPEC	-	
1. PLC	± 0.15	APPLICATION SPEC	-	
2. PLC	± 0.10	SIZE	A1	RESTRICTED TO
3. PLC	± 0.10	CAGE CODE	00779	007435
4. PLC	± 0.10	DRAWING NO	2007435	8 OF 9
ANGLES	± 0.10	WEIGHT	-	REV D
FINISH	-	CUSTOMER DRAWING	SCALE N/A	SHEET 8 OF 9

LOC		DIST		REVISIONS			
P	LTR	DESCRIPTION	DATE	DNW	APVD		
-	-	SEE SHEET 1	-	-	-	-	-



EMBOSS TAPE
FOR PART NUMBER 2007435-7

THIS DRAWING IS A CONTROLLED DOCUMENT.		DIN		STE TE Connectivity	
DIMENSIONS: mm		CHK		NAME	
TOLERANCES UNLESS OTHERWISE SPECIFIED:		APVD		HDMI FLAG CONNECTOR ASSEMBLY	
0. PLC ± 0.3		PRODUCT SPEC		-	
1. PLC ± 0.15		APPLICATION SPEC		-	
2. PLC ± 0.10		MATERIAL		-	
3. PLC ± 0.10		FINISH		-	
4. PLC ± 0.10		WEIGHT		-	
ANGLES ± 0.10		CUSTOMER DRAWING		-	
-		SCALE		N/A	
-		SHEET		9 of 9	
-		REV		D	