



Chipsmall Limited consists of a professional team with an average of over 10 year of expertise in the distribution of electronic components. Based in Hongkong, we have already established firm and mutual-benefit business relationships with customers from,Europe,America and south Asia,supplying obsolete and hard-to-find components to meet their specific needs.

With the principle of “Quality Parts,Customers Priority,Honest Operation,and Considerate Service”,our business mainly focus on the distribution of electronic components. Line cards we deal with include Microchip,ALPS,ROHM,Xilinx,Pulse,ON,Everlight and Freescale. Main products comprise IC,Modules,Potentiometer,IC Socket,Relay,Connector.Our parts cover such applications as commercial,industrial, and automotives areas.

We are looking forward to setting up business relationship with you and hope to provide you with the best service and solution. Let us make a better world for our industry!



## Contact us

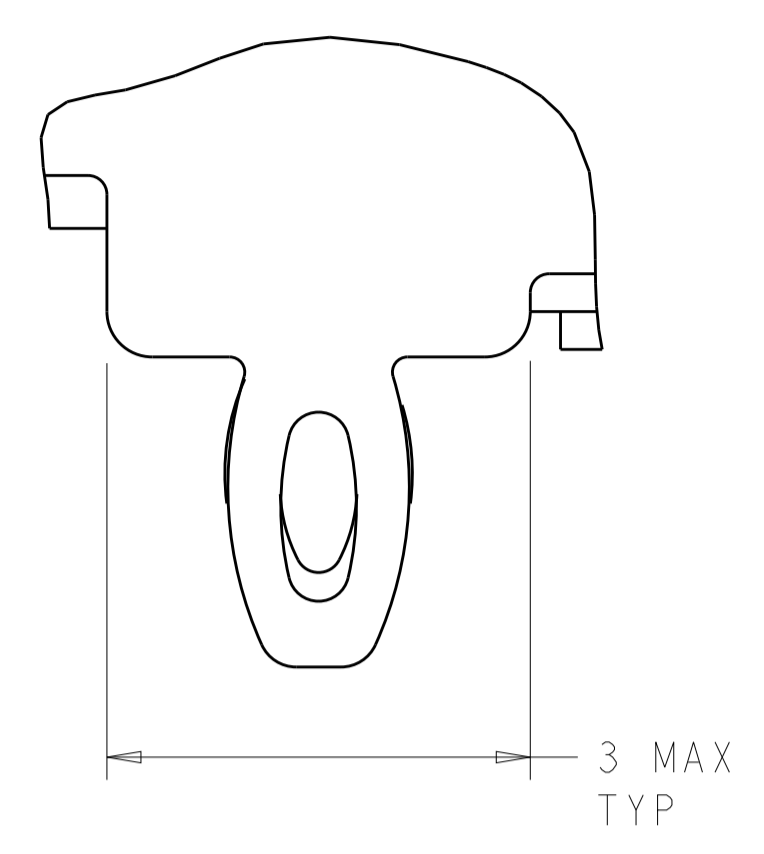
Tel: +86-755-8981 8866 Fax: +86-755-8427 6832

Email & Skype: info@chipsmall.com Web: www.chipsmall.com

Address: A1208, Overseas Decoration Building, #122 Zhenhua RD., Futian, Shenzhen, China



LOC	DIST	REVISIONS					
		P	LTN	DESCRIPTION	DATE	DMN	APVD
GP	00	C		REVISED PER ECO-10-018054	02NOV2010	CJV	EJB
		D		REVISED PER ECO-12-005533	23MAR2012	JY	AC
		E		REVISED PER ECO-14-012115	6AUG2014	RG	MC
		F		REVISED PER ECO-14-017735	30EC2014	RG	MC

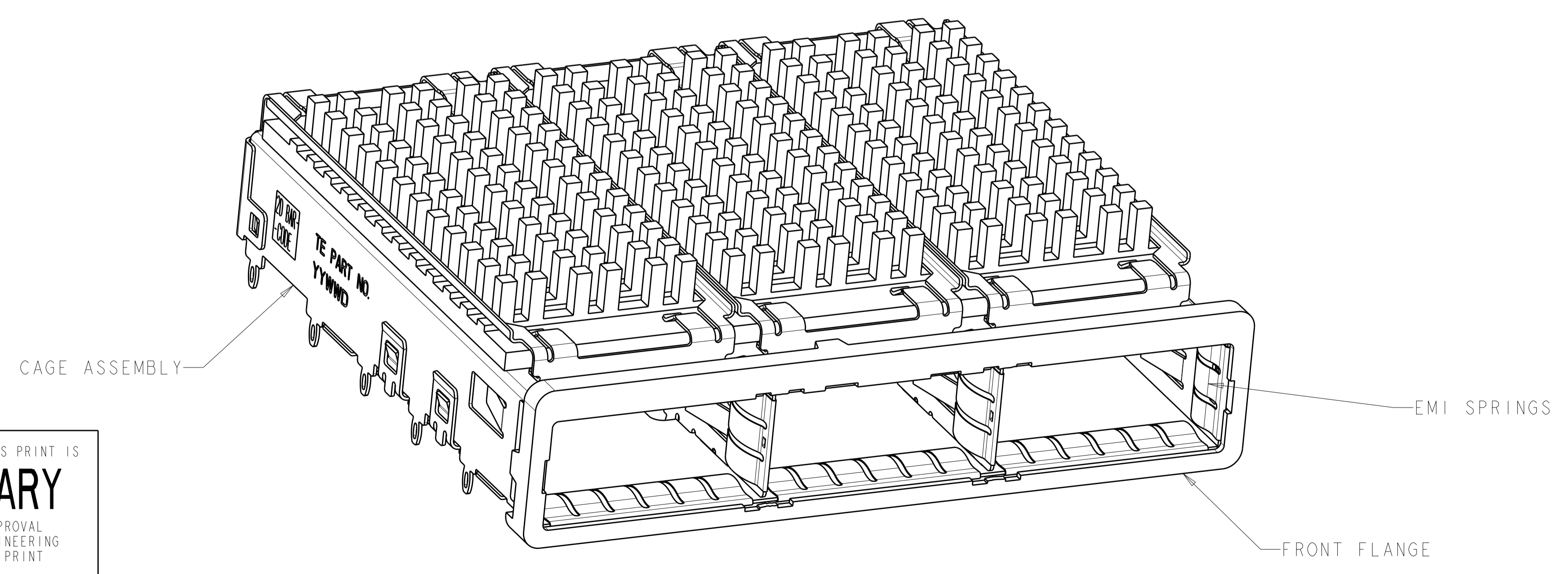
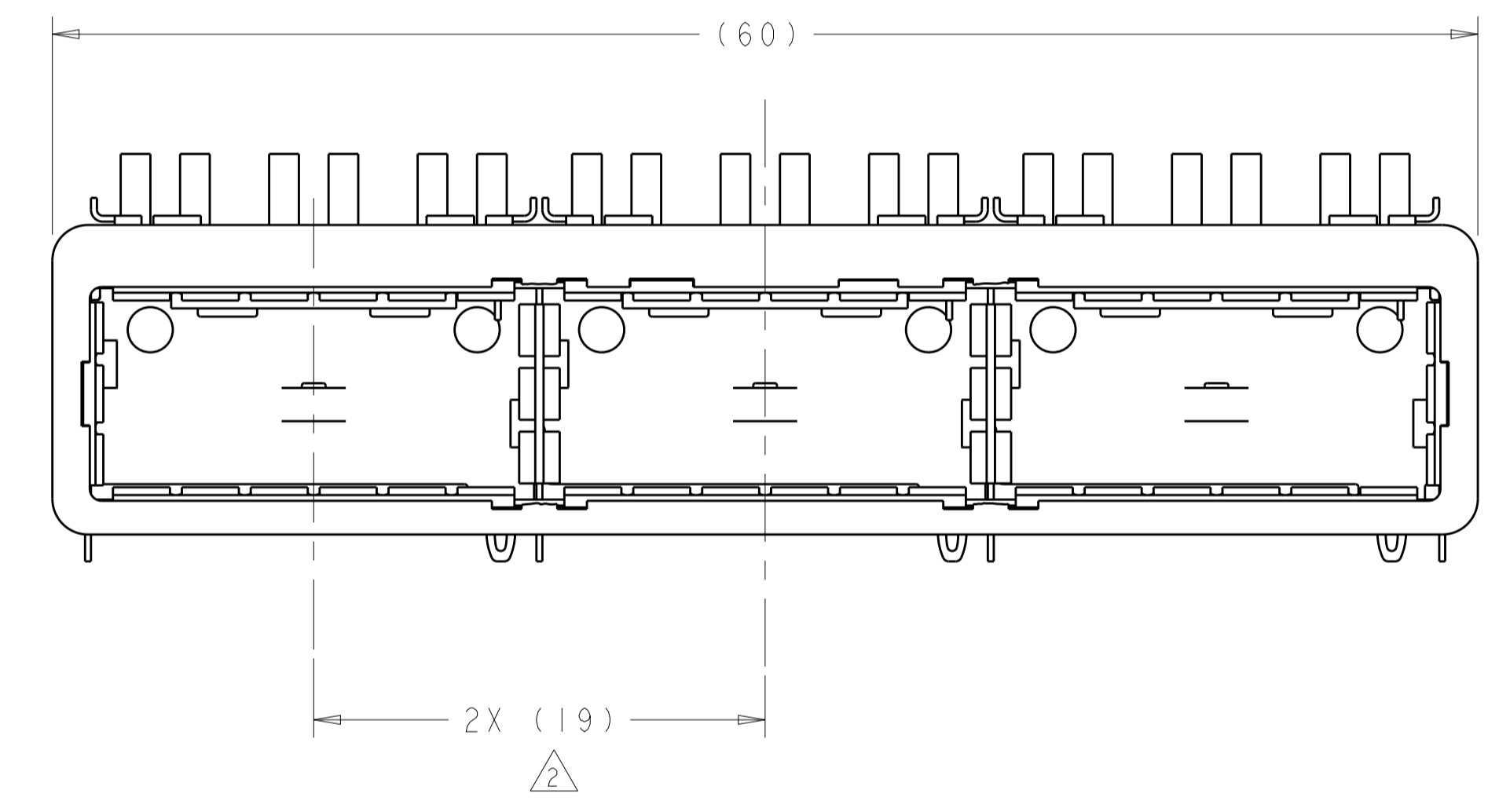
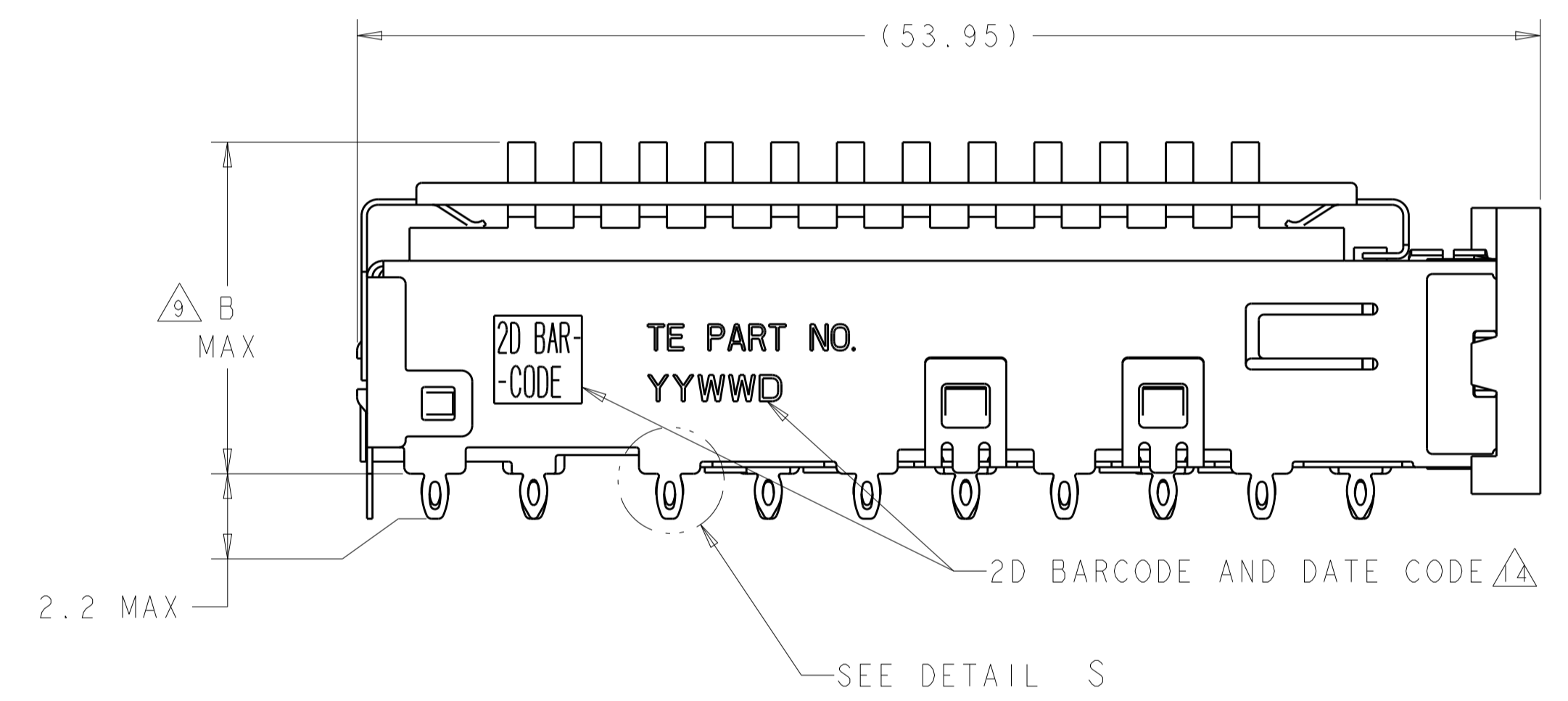


DETAIL S  $\Delta 12$   
 SCALE 20:1

- $\Delta 1$  MATERIALS:  
 CAGE ASSEMBLY: NICKEL SILVER, 0.25 THICK  
 EMI SPRINGS: COPPER ALLOY  
 FRONT FLANGE: ZINC ALLOY  
 HEAT SINK: ALUMINUM  
 HEAT SINK CLIP: STAINLESS STEEL
- $\Delta 2$  PITCH BETWEEN PORTS OF ONE 1X3 CAGE ASSEMBLY.
- $\Delta 3$  SPACING BETWEEN CAGES ON THE SAME PC BOARD, TO BE SPECIFIED BY CUSTOMER, MUST COMPLY WITH MINIMUM DIMENSIONS SHOWN.
- $\Delta 4$  REFERENCE APPLICATION SPEC 114-13218 FOR RECOMMENDED DRILL HOLE DIAMETER AND PLATING THICKNESS.
- $\Delta 5$  DATUMS AND BASIC DIMENSIONS ESTABLISHED BY CUSTOMER.
- $\Delta 6$  DIMENSION C IS THE NOMINAL THICKNESS OF CUSTOMER SUPPLIED PC BOARD.  
 MINIMUM SINGLE SIDED PC BOARD THICKNESS: 1.45mm  
 MINIMUM DOUBLE SIDED PC BOARD THICKNESS: 2.2mm PER QSFP
- $\Delta 7$  HEAT SINKS AND CLIPS SHIPPED ASSEMBLED TO CAGE ASSEMBLY. CAGE ASSEMBLY MAY BE PRESSED INTO THE PCB AS SHIPPED.
- $\Delta 8$  DATUM  $\square$ -A- IS TOP SURFACE OF PC BOARD.
- $\Delta 9$  DIMENSION APPLIES WITH MODULE INSERTED IN CAGE.
- $\Delta 10$  UNPLATED THRU HOLE.

- $\Delta 3$  BASELINE FOR THESE DIMENSIONS IS THE CENTER OF COMPLIANT PIN HOLE.
- $\Delta 4$  2D BARCODE AND DATE CODE (YYWW) MARKED ON SIDE OF CAGE.
- $\Delta 5$  REFERENCE APP SPEC 114-13218 FOR GASKET THICKNESS CALCULATION.
- $\Delta 6$  FINISH:  
 EMI SPRINGS: 2 $\mu$ m MINIMUM TIN  
 FRONT FLANGE: 3 $\mu$ m MINIMUM TIN OVER 1.27 $\mu$ m MINIMUM NICKEL OVER 5.08 $\mu$ m MINIMUM COPPER  
 HEAT SINK: ANODIZED BLACK.

- 11. MATES WITH QSFP MSA COMPATIBLE TRANSCEIVER.
- $\Delta 12$  SURFACE TRACES PERMITTED WITHIN THIS AREA EXCEPT WHERE CAGE STANDOFFS, SHOWN IN DETAIL S, CONTACT PC BOARD.



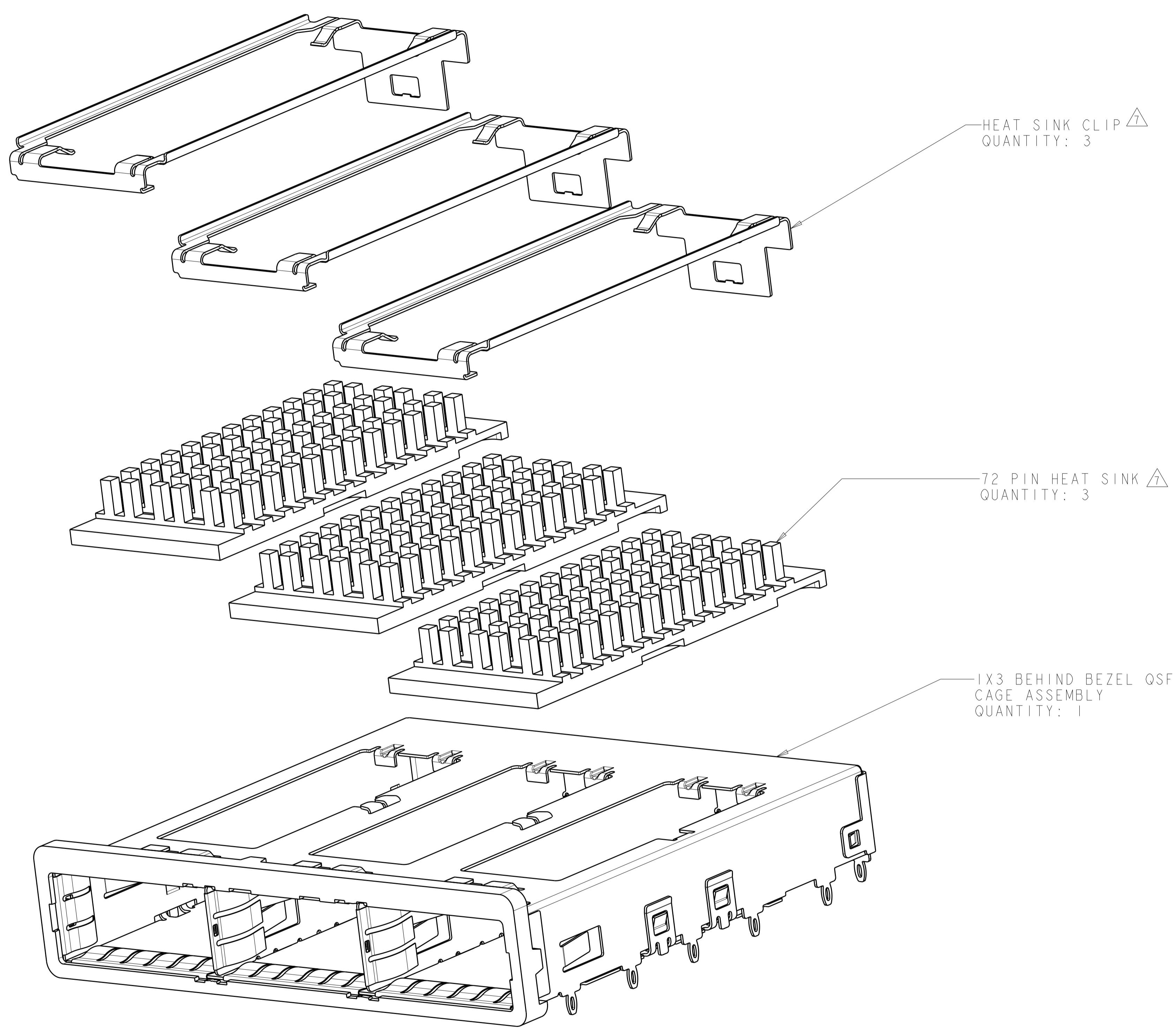
DESIGN APPROVED THIS PRINT IS  
**PRELIMINARY**  
 TO FIRST PIECE APPROVAL  
 CONTACT PRODUCT ENGINEERING  
 BEFORE USING THIS PRINT

16.8	CUSTOMERIZED	2007456-4
23.0	NETWORKING	2007456-3
16.0	SAN	2007456-2
13.7	PCI	2007456-1
B	HEAT SINK PROFILE	PART NUMBER

THIS DRAWING IS A CONTROLLED DOCUMENT.		DMN C. VALENTINE 07NOV2007	TE Connectivity NAME 1X3 CAGE ASSEMBLY, BEHIND BEZEL, W/ HEAT SINKS, QSFP
DIMENSIONS:		CHK E. BRIGHT 07NOV2007	
mm	TOLERANCES UNLESS OTHERWISE SPECIFIED:	APVD E. BRIGHT 07NOV2007	PRODUCT SPEC
0 PLC	±	PRODUCT SPEC	108-2286
1 PLC	±0.1	APPLICATION SPEC	114-13218
2 PLC	±0.1	WEIGHT	-
3 PLC	±	SCALE	4:1
4 PLC	±	SHEET	1 OF 5
ANGLES	±	REV	F
MATERIAL	FINISH	CUSTOMER DRAWING	
	$\Delta 16$	SIZE	A100779C=2007456



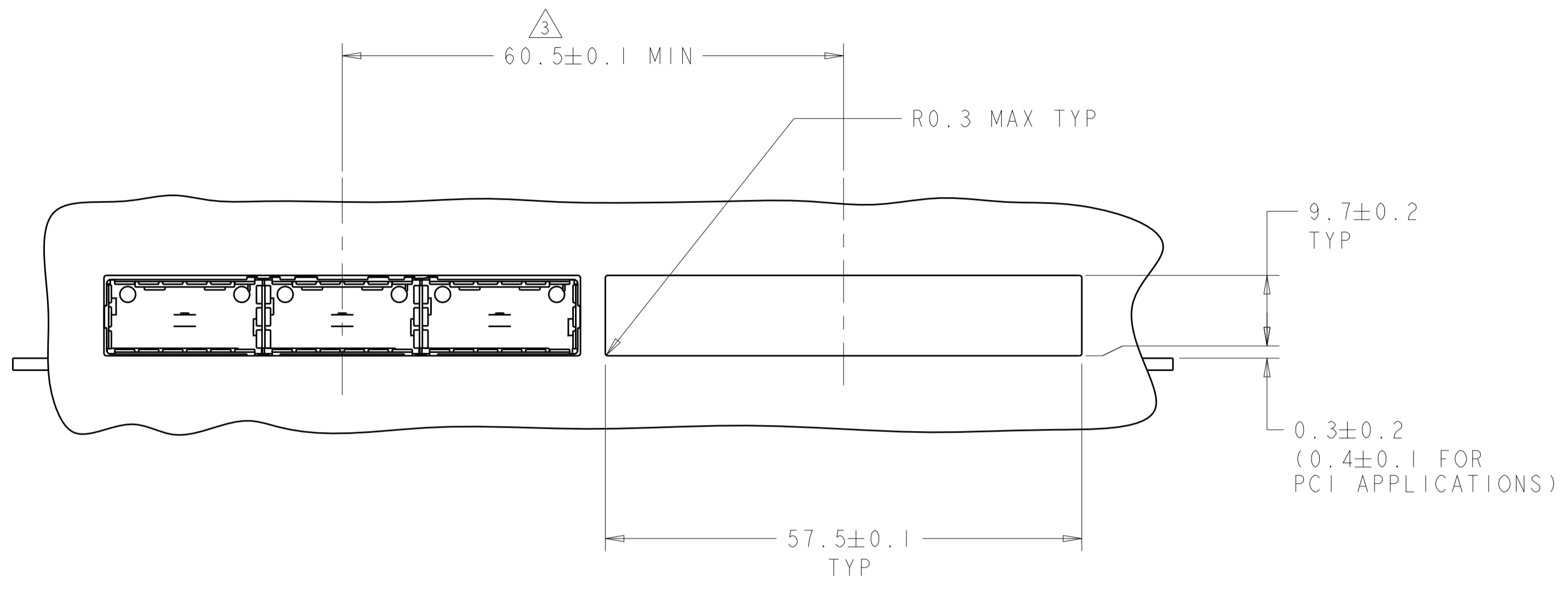
LOC	DIST	REVISIONS			
P	LTN	DESCRIPTION	DATE	DWN	APVD
-	-	SEE SHEET 1	-	-	-



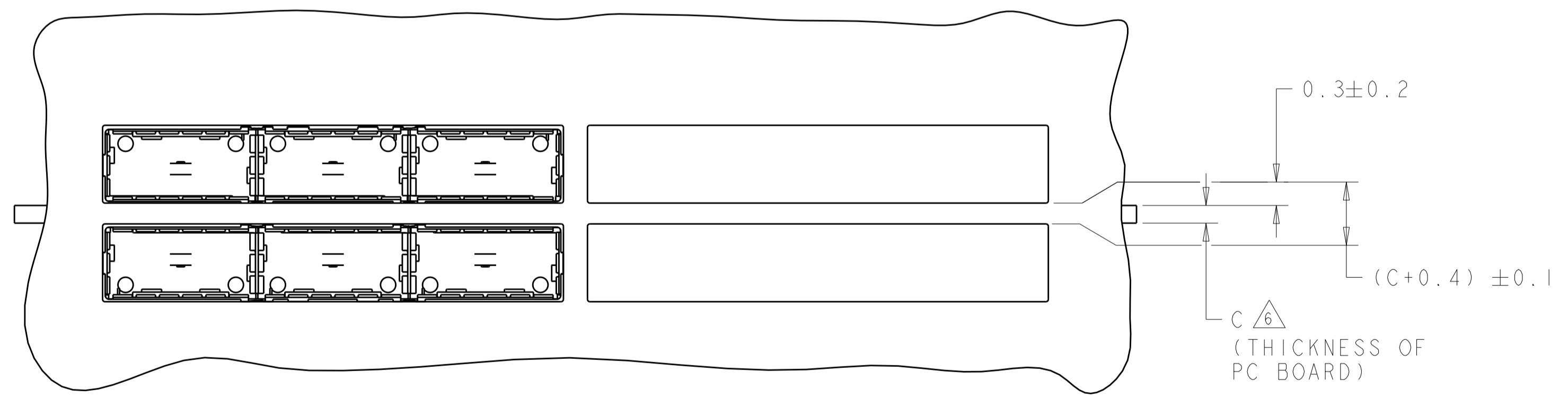
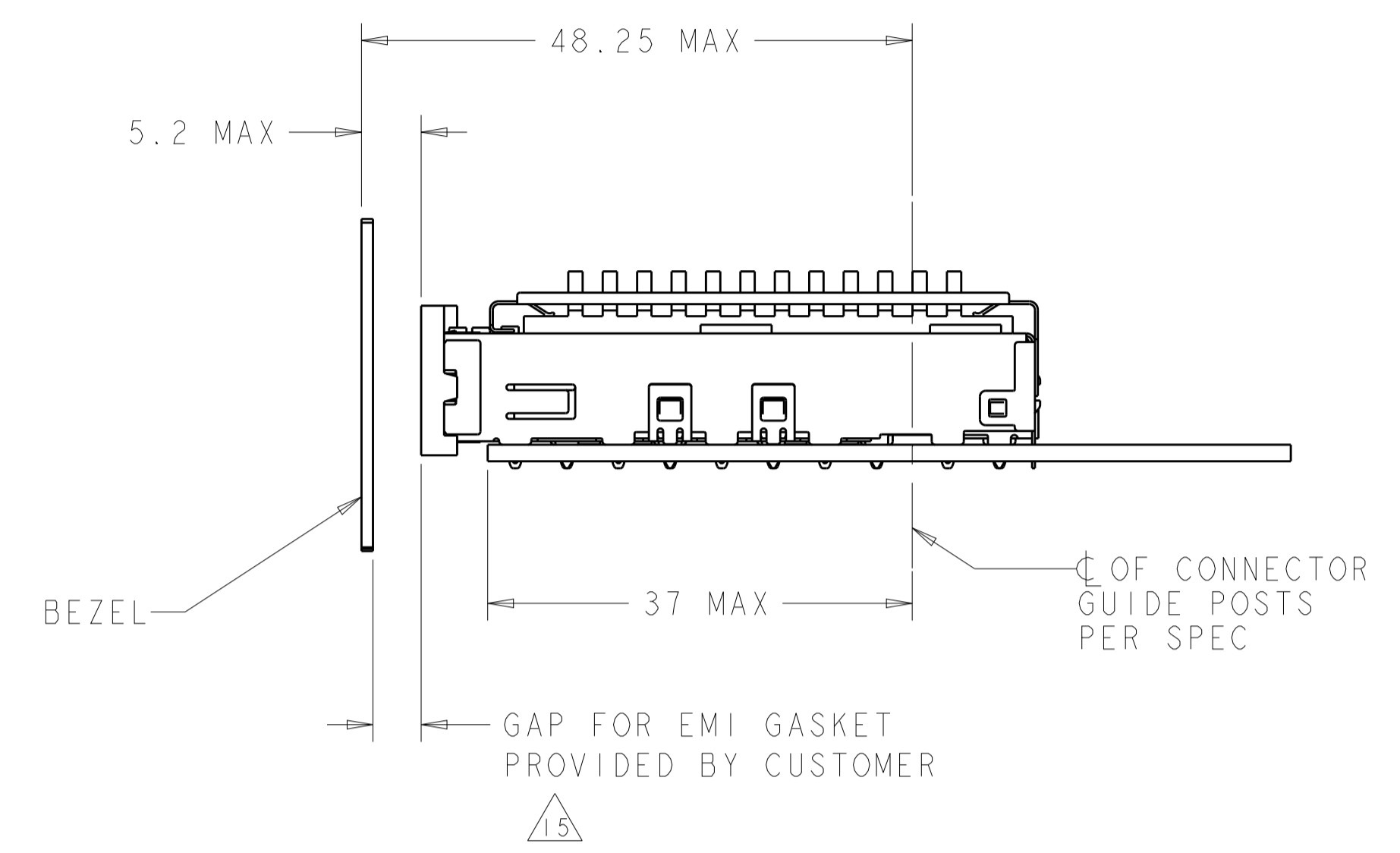
DESIGN APPROVED THIS PRINT IS  
**PRELIMINARY**  
 TO FIRST PIECE APPROVAL  
 CONTACT PRODUCT ENGINEERING  
 BEFORE USING THIS PRINT

THIS DRAWING IS A CONTROLLED DOCUMENT.		DWN C. VALENTINE 07NOV2007	TE Connectivity
DIMENSIONS:		CHK E. BRIGHT 07NOV2007	
mm	TOLERANCES UNLESS OTHERWISE SPECIFIED:	APVD E. BRIGHT 07NOV2007	NAME 1X3 CAGE ASSEMBLY, BEHIND BEZEL, W/ HEAT SINKS, QSFP
0 PLC ±	1 PLC ±0.1	PRODUCT SPEC	SIZE A100779C=2007456
2 PLC ±0.1	3 PLC ±	APPLICATION SPEC	RESTRICTED TO
4 PLC ±	ANGLES ±	114-13218	SCALE 4:1 SHEET 2 OF 5 REV F
MATERIAL	FINISH	WEIGHT	CUSTOMER DRAWING

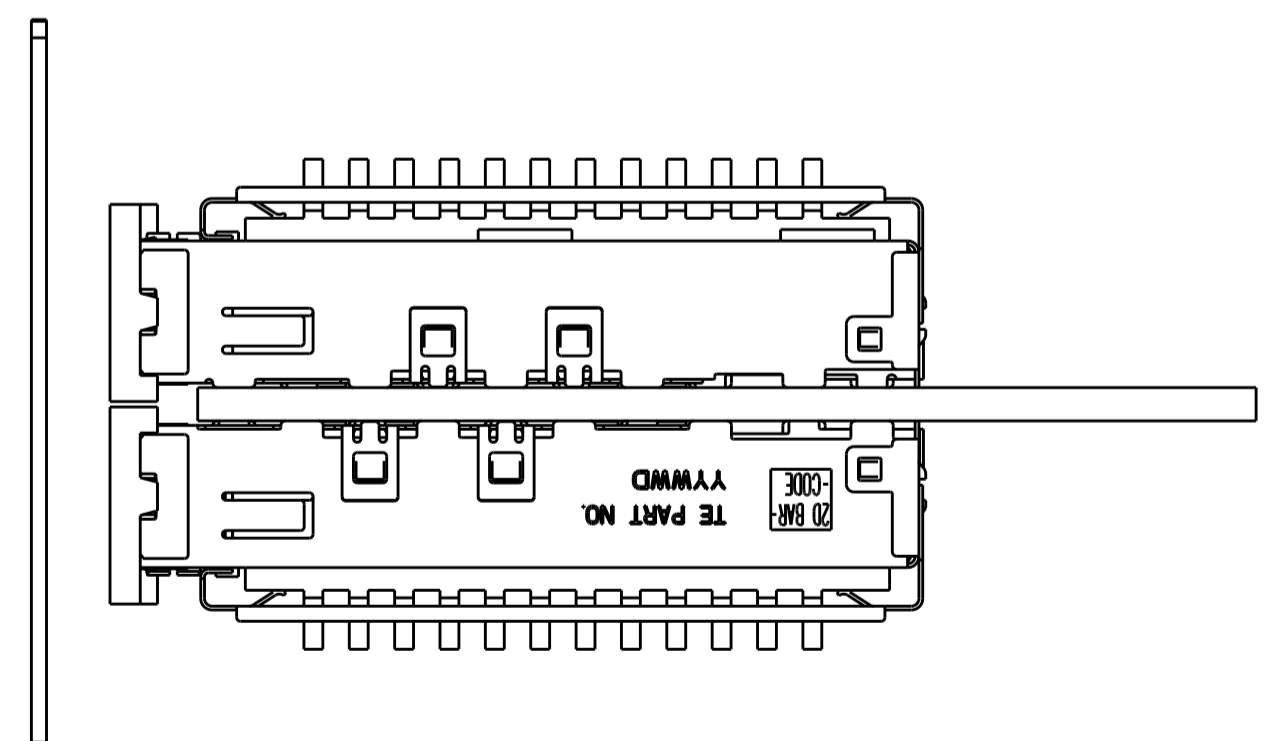
LOC		DIST		REVISIONS			
P	LYR	DESCRIPTION	DATE	DMN	APVD		
-	-	SEE SHEET 1	-	-	-		



ONE SIDED CONFIGURATION  
 SCALE 2:1



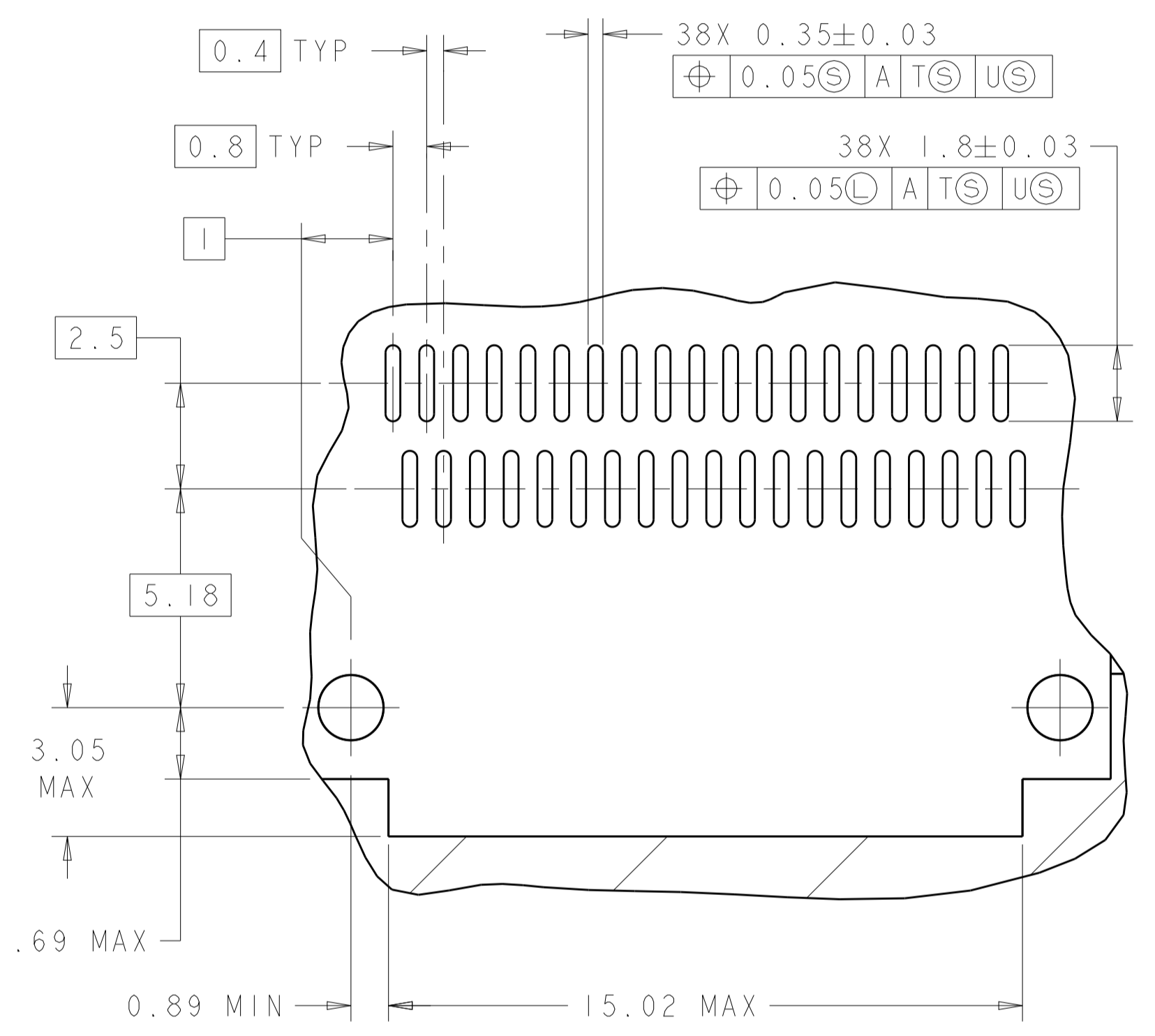
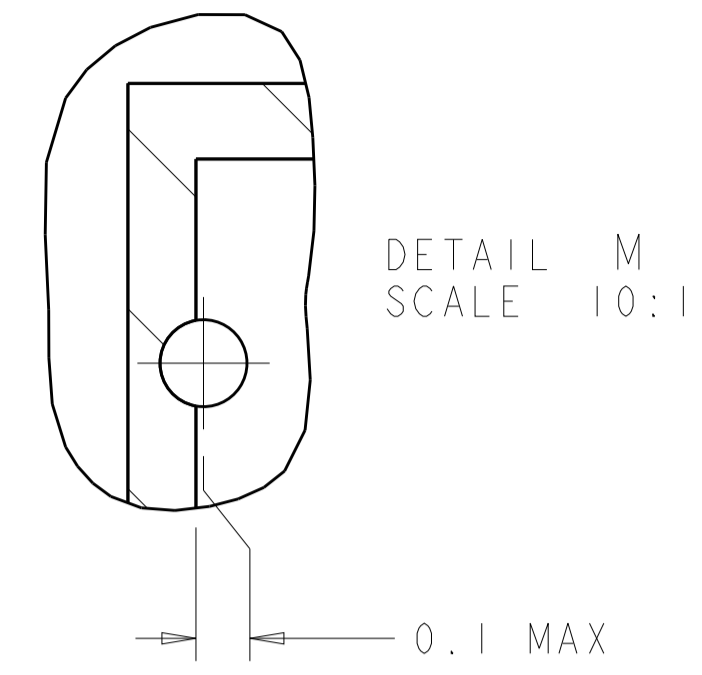
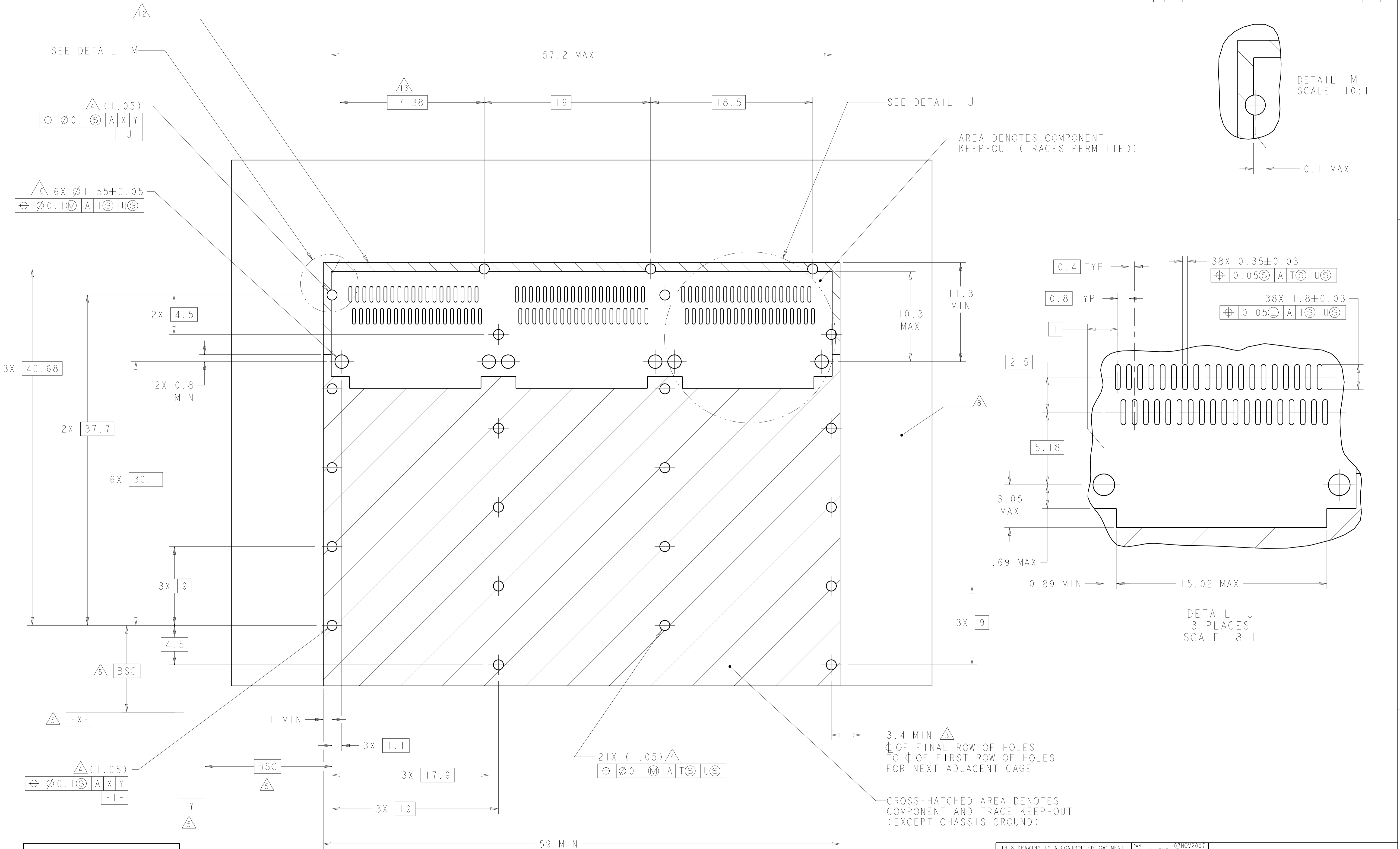
BELLY TO BELLY CONFIGURATION SIMILAR TO ONE SIDED EXCEPT WHERE NOTED  
 SCALE 2:1



DESIGN APPROVED THIS PRINT IS  
**PRELIMINARY**  
 TO FIRST PIECE APPROVAL  
 CONTACT PRODUCT ENGINEERING  
 BEFORE USING THIS PRINT

THIS DRAWING IS A CONTROLLED DOCUMENT.		DMN C. VALENTINE 07NOV2007	TE Connectivity
DIMENSIONS: mm		CHK E. BRIGHT 07NOV2007	
TOLERANCES UNLESS OTHERWISE SPECIFIED:		APVD E. BRIGHT 07NOV2007	NAME 1X3 CAGE ASSEMBLY, BEHIND BEZEL, W/ HEAT SINKS, QSFP
0 PLC ±	1 PLC ±0.1	PRODUCT SPEC	SIZE CAGE CODE DRAWING NO RESTRICTED TO
2 PLC ±0.1	3 PLC ±	108-2286	A100779C=2007456
4 PLC ±	ANGLES ±	APPLICATION SPEC	SCALE 4:1 SHEET 3 OF 5 REV F
MATERIAL	FINISH	114-13218	
		WEIGHT	
		CUSTOMER DRAWING	

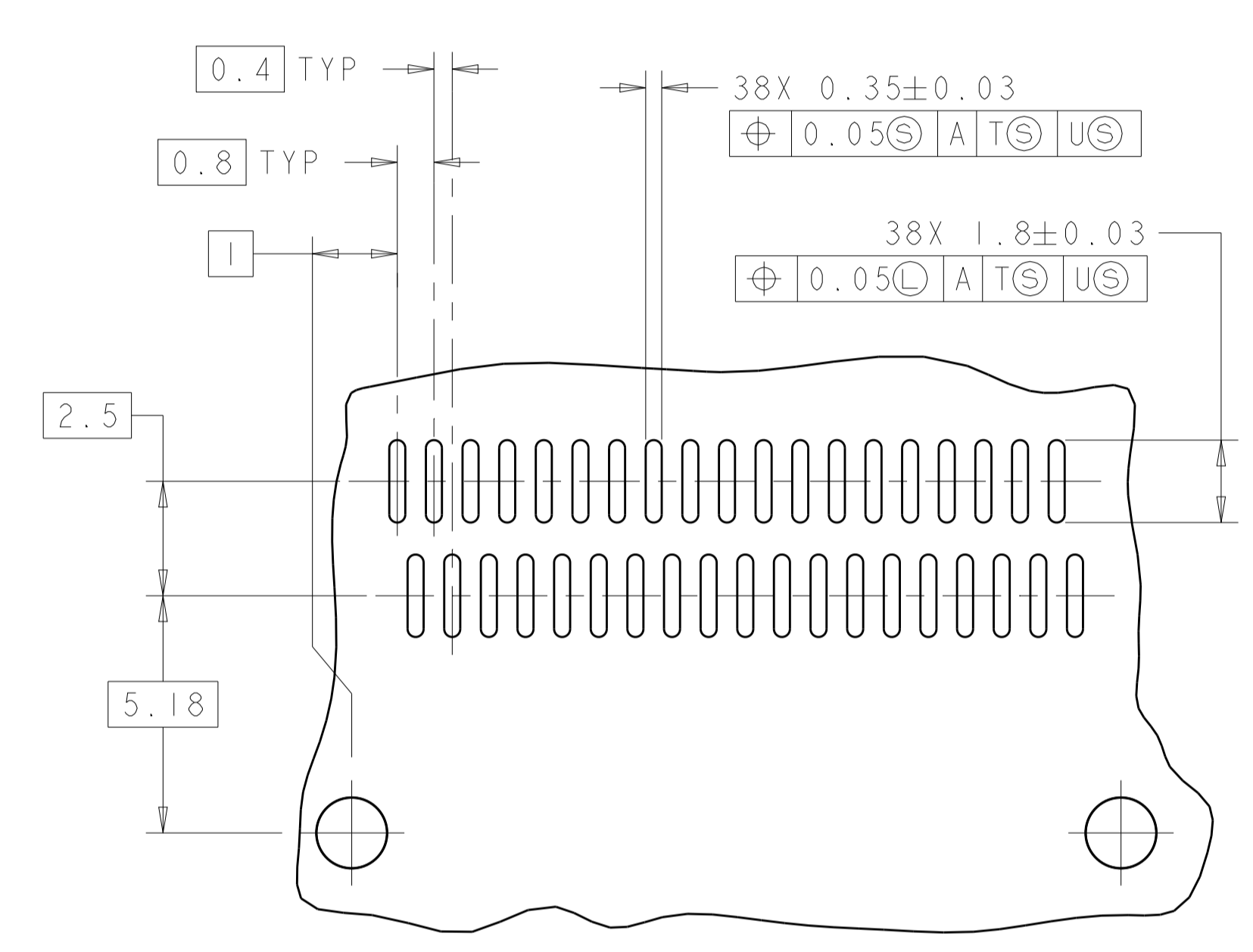
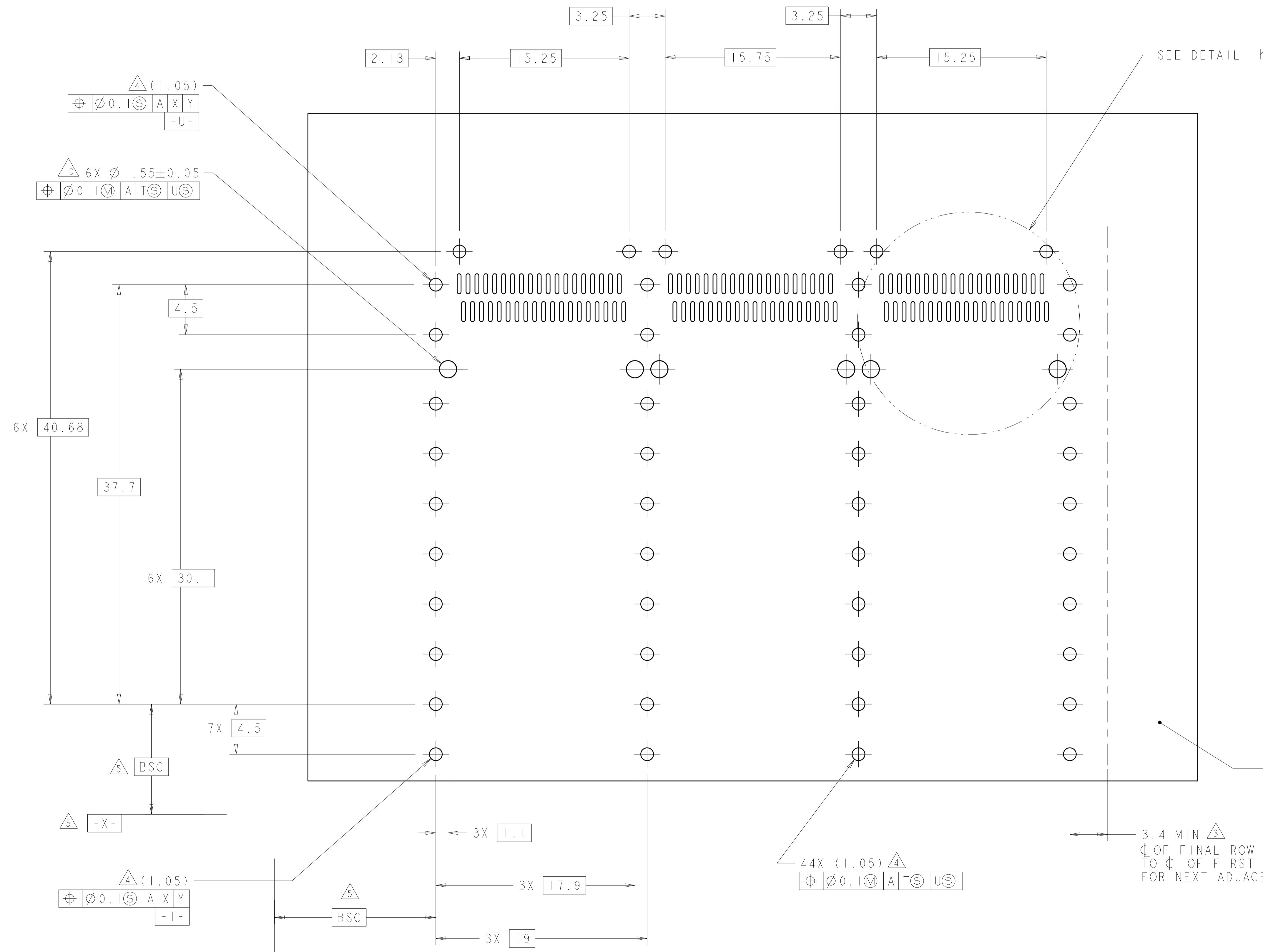
LOC	DIST	REV	DESCRIPTION	DATE	OWN	APVD
GP	00		SEE SHEET 1			



DESIGN APPROVED THIS PRINT IS  
**PRELIMINARY**  
 TO FIRST PIECE APPROVAL  
 CONTACT PRODUCT ENGINEERING  
 BEFORE USING THIS PRINT

THIS DRAWING IS A CONTROLLED DOCUMENT.		OWN C. VALENTINE 07NOV2007	TE Connectivity
DIMENSIONS: mm		CHK E. BRIGHT 07NOV2007	
TOLERANCES UNLESS OTHERWISE SPECIFIED:		APVD E. BRIGHT 07NOV2007	NAME 1X3 CAGE ASSEMBLY, BEHIND BEZEL, W/ HEAT SINKS, QSFP
0 PLC ±	1 PLC ±0.1	PRODUCT SPEC	108-2286
2 PLC ±0.1	3 PLC ±	APPLICATION SPEC	114-13218
4 PLC ±	ANGLES ±	WEIGHT	A100779C=2007456
MATERIAL	FINISH	CUSTOMER DRAWING	SCALE 4:1 SHEET 4 OF 5 REV F

LOC	DIST	REVISIONS			
GP	00	REV	DATE	BY	APPD
-	-	SEE SHEET 1	-	-	-



DETAIL K  
 3 PLACES  
 SCALE 8:1

RECOMMENDED PC BOARD LAYOUT  
 BELLY TO BELLY CONFIGURATION  
 SEE SHEET 4 FOR COMPONENT  
 AND TRACE KEEP-OUTS  
 SCALE 5:1

DESIGN APPROVED THIS PRINT IS  
**PRELIMINARY**  
 TO FIRST PIECE APPROVAL  
 CONTACT PRODUCT ENGINEERING  
 BEFORE USING THIS PRINT

THIS DRAWING IS A CONTROLLED DOCUMENT.		OWN C. VALENTINE 07NOV2007	TE Connectivity NAME 1X3 CAGE ASSEMBLY, BEHIND BEZEL, W/ HEAT SINKS, QSFP
DIMENSIONS: mm		CHK E. BRIGHT 07NOV2007	
TOLERANCES UNLESS OTHERWISE SPECIFIED:		APVD E. BRIGHT 07NOV2007	PRODUCT SPEC
0 PLC ± 2 PLC ±0.1 3 PLC ±0.1 4 PLC ± ANGLES ±		APPLICATION SPEC	108-2286
MATERIAL		FINISH	114-13218
		WEIGHT	-
		CUSTOMER DRAWING	SCALE 4:1 SHEET 5 OF 5 REV F