



Chipsmall Limited consists of a professional team with an average of over 10 year of expertise in the distribution of electronic components. Based in Hongkong, we have already established firm and mutual-benefit business relationships with customers from,Europe,America and south Asia,supplying obsolete and hard-to-find components to meet their specific needs.

With the principle of "Quality Parts,Customers Priority,Honest Operation,and Considerate Service",our business mainly focus on the distribution of electronic components. Line cards we deal with include Microchip,ALPS,ROHM,Xilinx,Pulse,ON,Everlight and Freescale. Main products comprise IC,Modules,Potentiometer,IC Socket,Relay,Connector.Our parts cover such applications as commercial,industrial, and automotives areas.

We are looking forward to setting up business relationship with you and hope to provide you with the best service and solution. Let us make a better world for our industry!



## Contact us

Tel: +86-755-8981 8866 Fax: +86-755-8427 6832

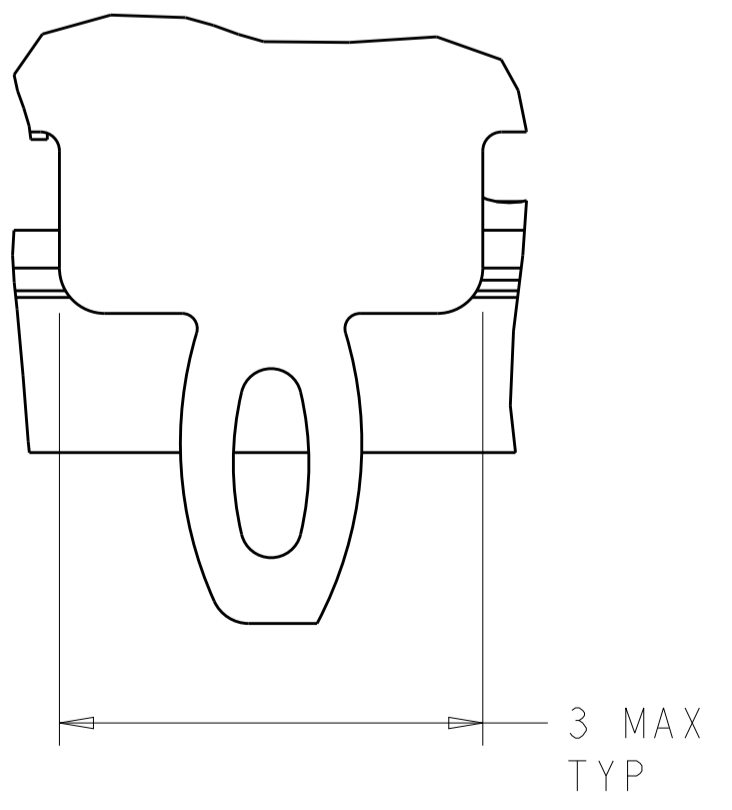
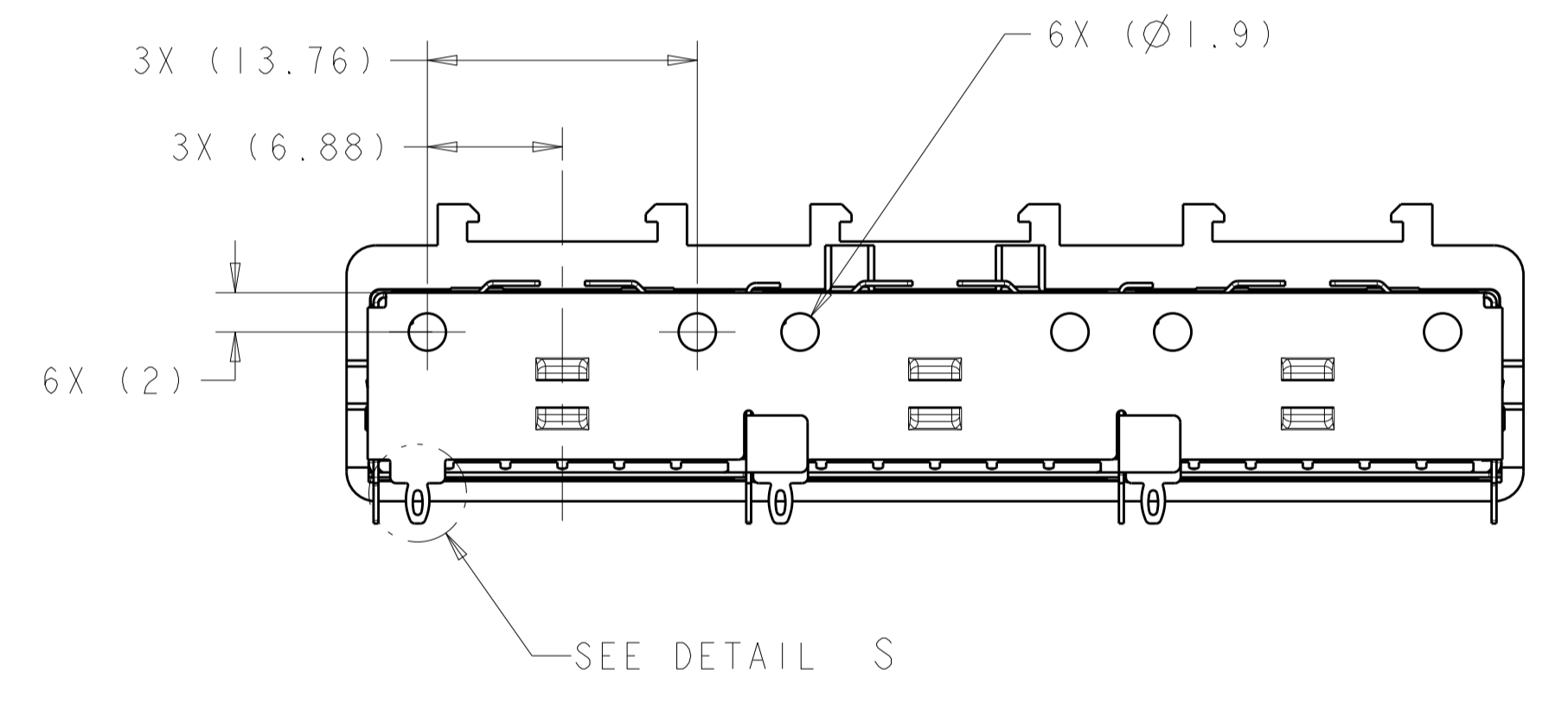
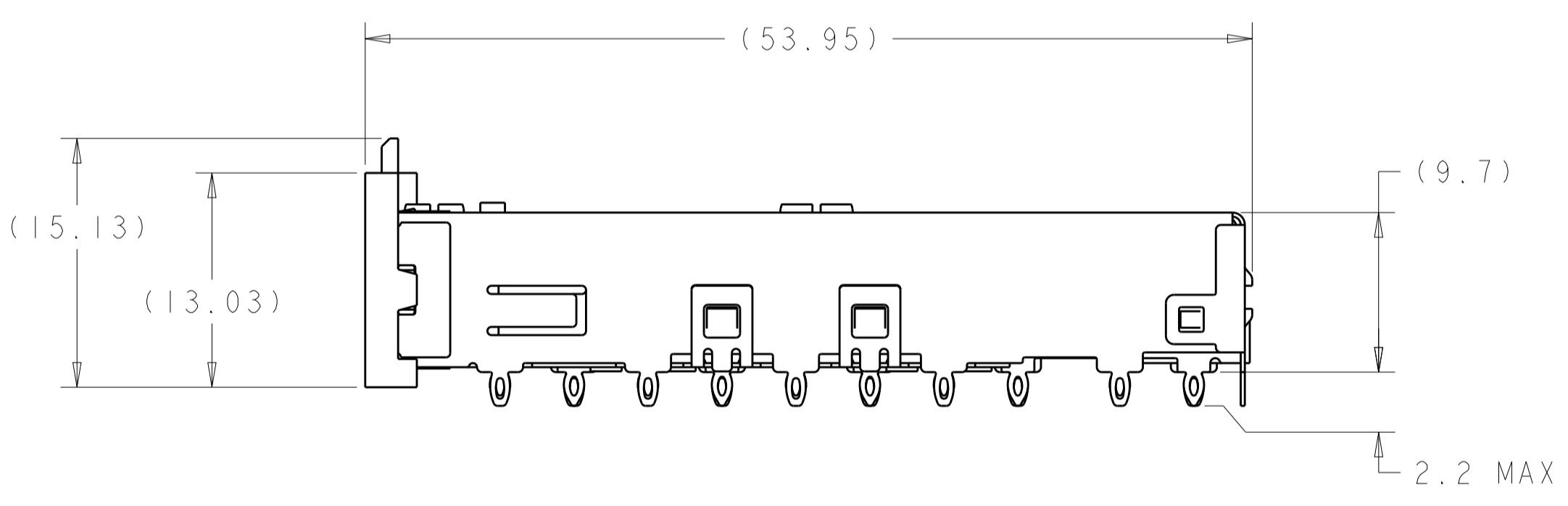
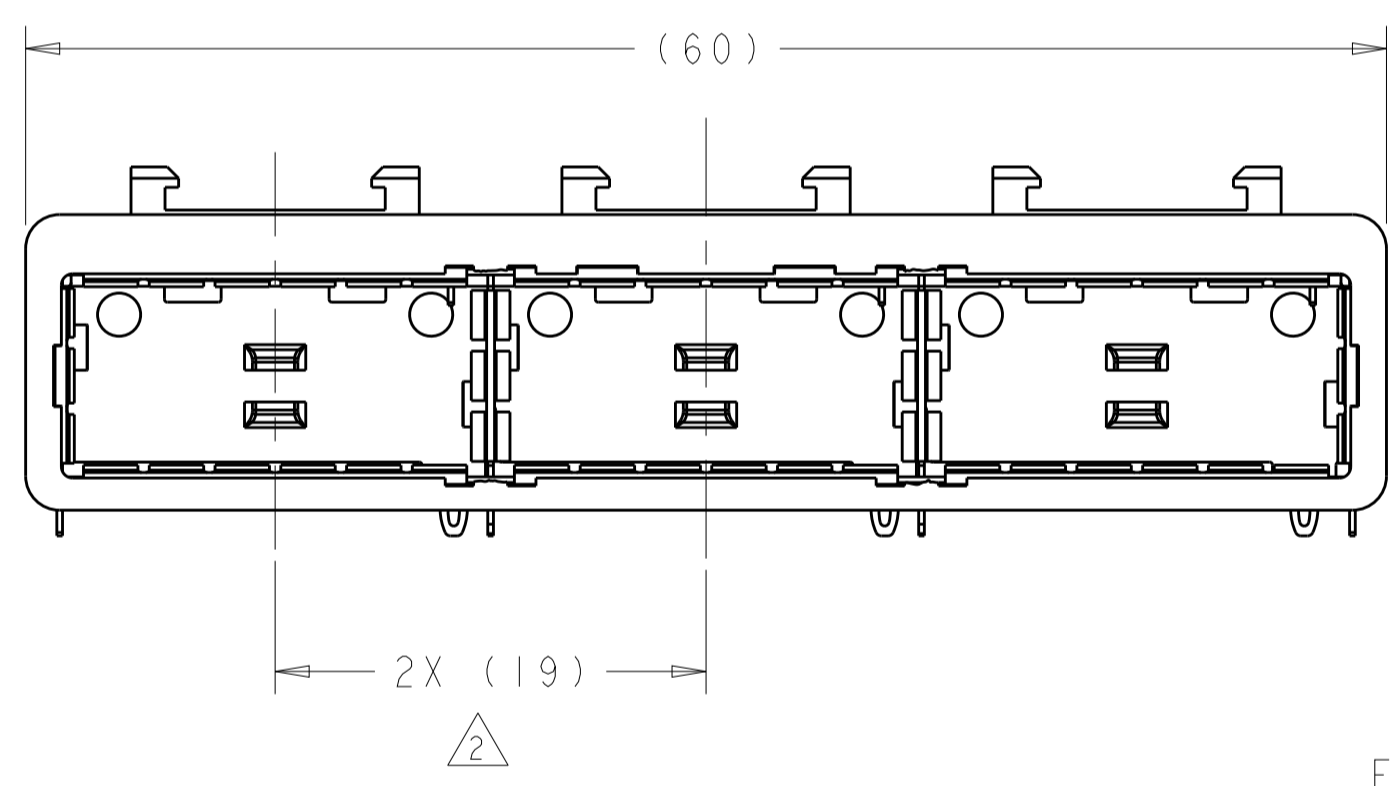
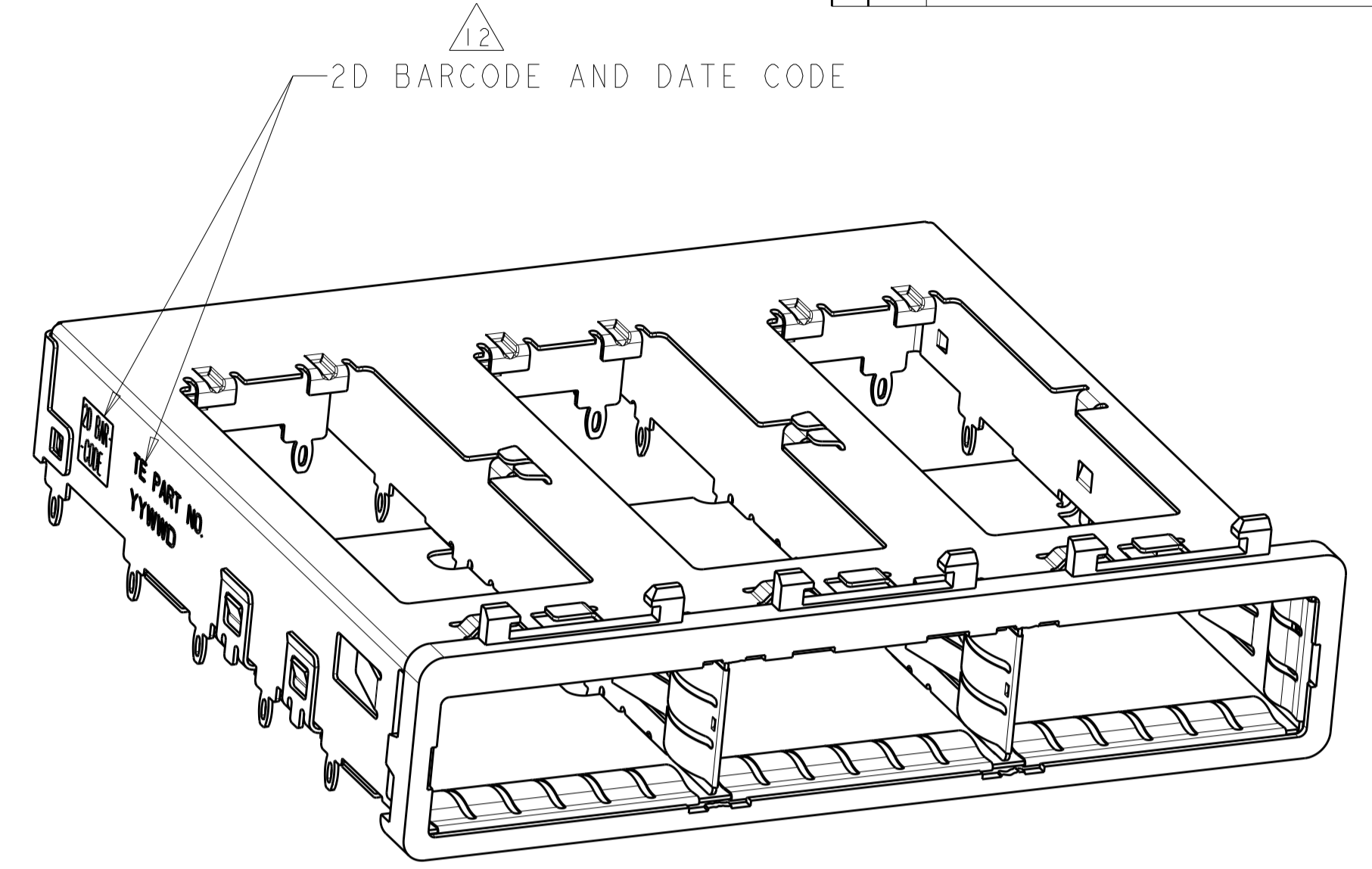
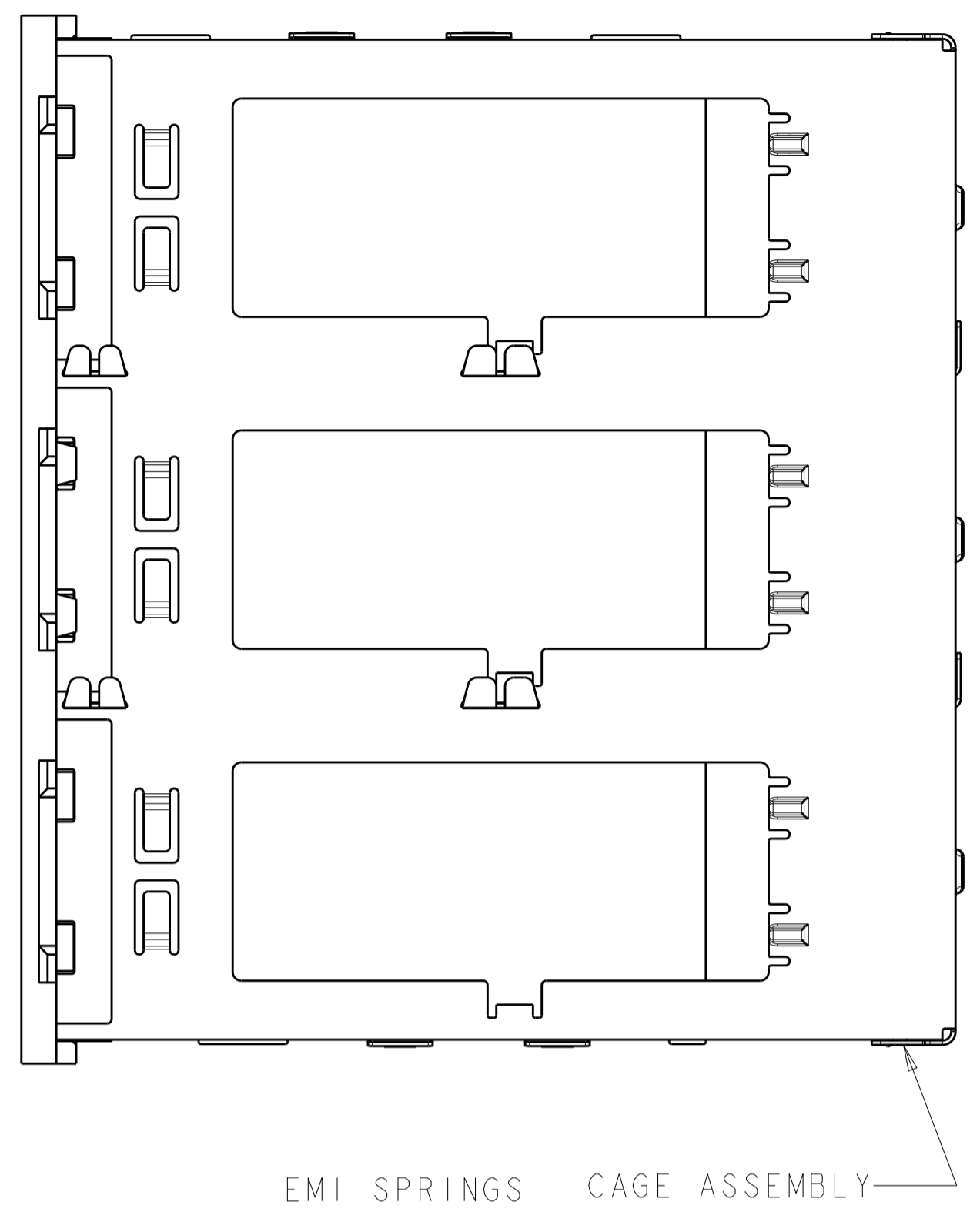
Email & Skype: info@chipsmall.com Web: www.chipsmall.com

Address: A1208, Overseas Decoration Building, #122 Zhenhua RD., Futian, Shenzhen, China

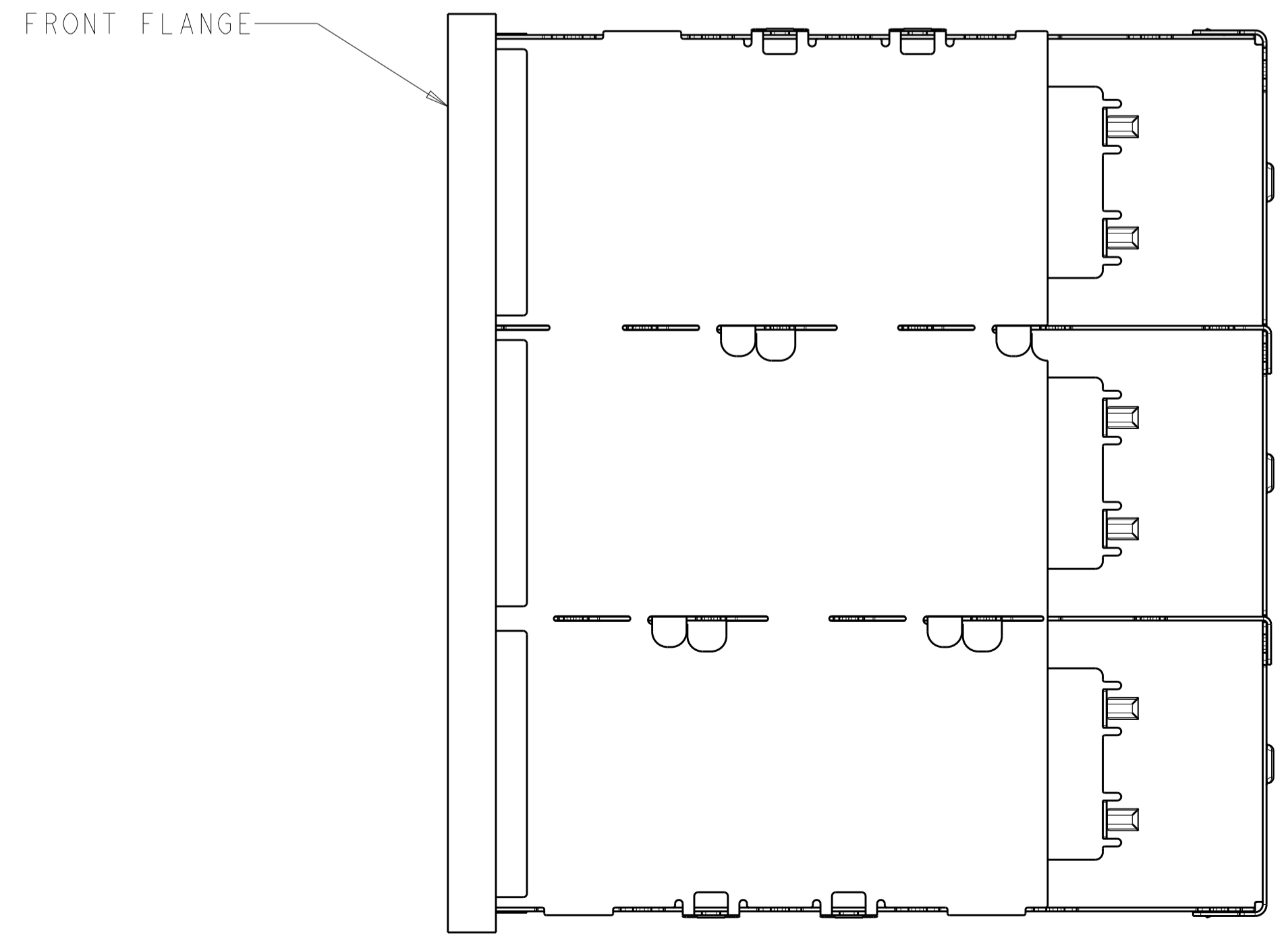


REVISIONS				
P.	LTN.	DESCRIPTION	DATE	APVD.
D		REVISED PER ECO-15-000148	24FEB2015	RG MC

- 1 SURFACE TRACES PERMITTED WITHIN THIS AREA EXCEPT WHERE CAGE STANDOFFS, SHOWN IN DETAIL S, CONTACT PC BOARD.
- 2 PITCH BETWEEN PORTS OF ONE 1X3 CAGE ASSEMBLY.
- 3 SPACING BETWEEN CAGES ON THE SAME PC BOARD, TO BE SPECIFIED BY CUSTOMER, MUST COMPLY WITH MINIMUM DIMENSIONS SHOWN.
- 4 REFERENCE APPLICATION SPEC 114-13218 FOR RECOMMENDED DRILL HOLE DIAMETER AND PLATING THICKNESS.
- 5 UNPLATED THRU HOLE.
- 6 DATUMS AND BASIC DIMENSIONS ESTABLISHED BY CUSTOMER.
- 7 DATUM -A- IS TOP SURFACE OF PC BOARD.
- 8 DIMENSION C IS THE NOMINAL THICKNESS OF CUSTOMER SUPPLIED PC BOARD.  
 MINIMUM PC BOARD THICKNESS:  
 SINGLE SIDED = 1.45mm  
 DOUBLE SIDED = 2.2mm PER QSFP
- 9. MATES WITH QSFP MSA COMPATIBLE TRANSCEIVER.
- 10 BASELINE FOR THESE DIMENSIONS IS THE CENTER OF COMPLIANT PIN HOLE.
- 11 LED ON HOST BOARD. QUANTITY, POSITION AND GEOMETRY DEPENDS ON CHOICE OF LIGHT PIPES.
- 12 2D BARCODE AND DATE CODE (YYWW) MARKED APPROXIMATELY AS SHOWN.
- 13 REFERENCE APP SPEC 114-13218 FOR GASKET THICKNESS CALCULATION.
- 14 MATERIAL:  
 CAGE ASSEMBLY: NICKEL SILVER, 0.25 THICK  
 EMI SPRINGS: COPPER ALLOY  
 FRONT FLANGE: ZINC ALLOY.
- 15 FINISH:  
 EMI SPRINGS: 2µm MINIMUM TIN  
 FRONT FLANGE: 3µm MINIMUM TIN OVER 1.27µm MINIMUM NICKEL OVER 5.08µm MINIMUM COPPER.



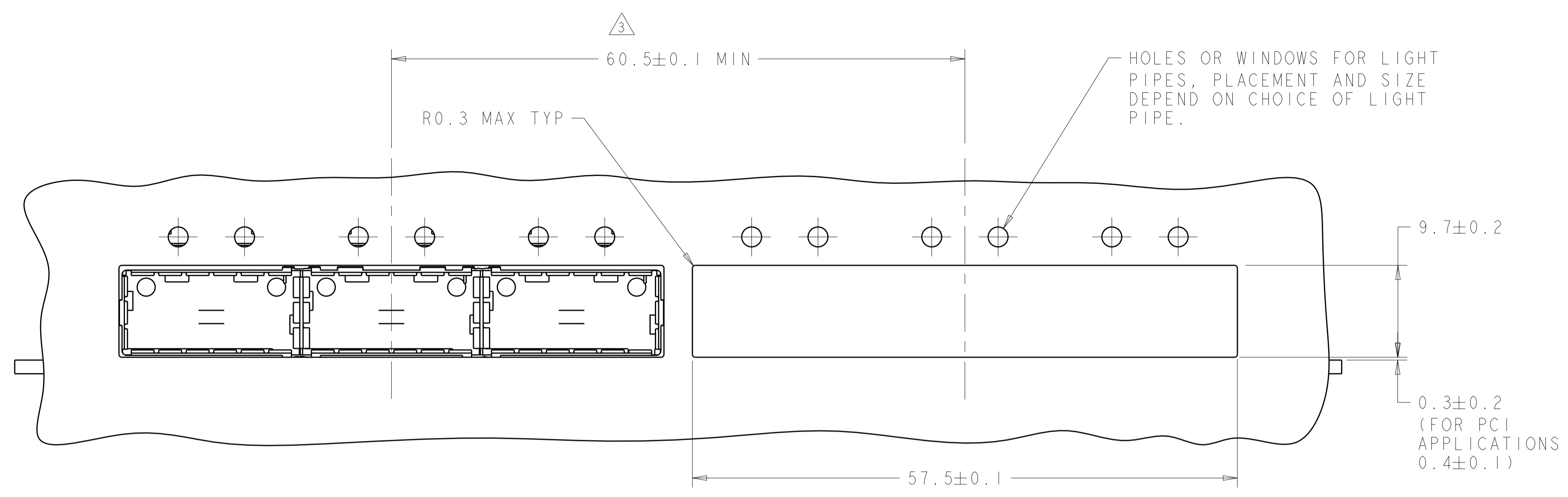
DETAIL S  
SCALE 20:1



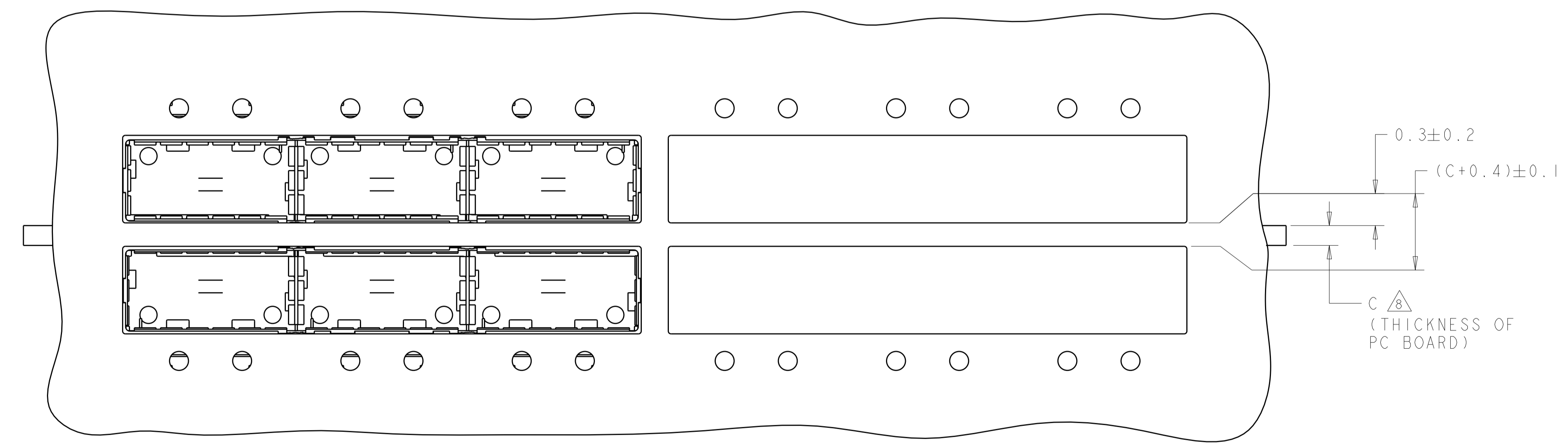
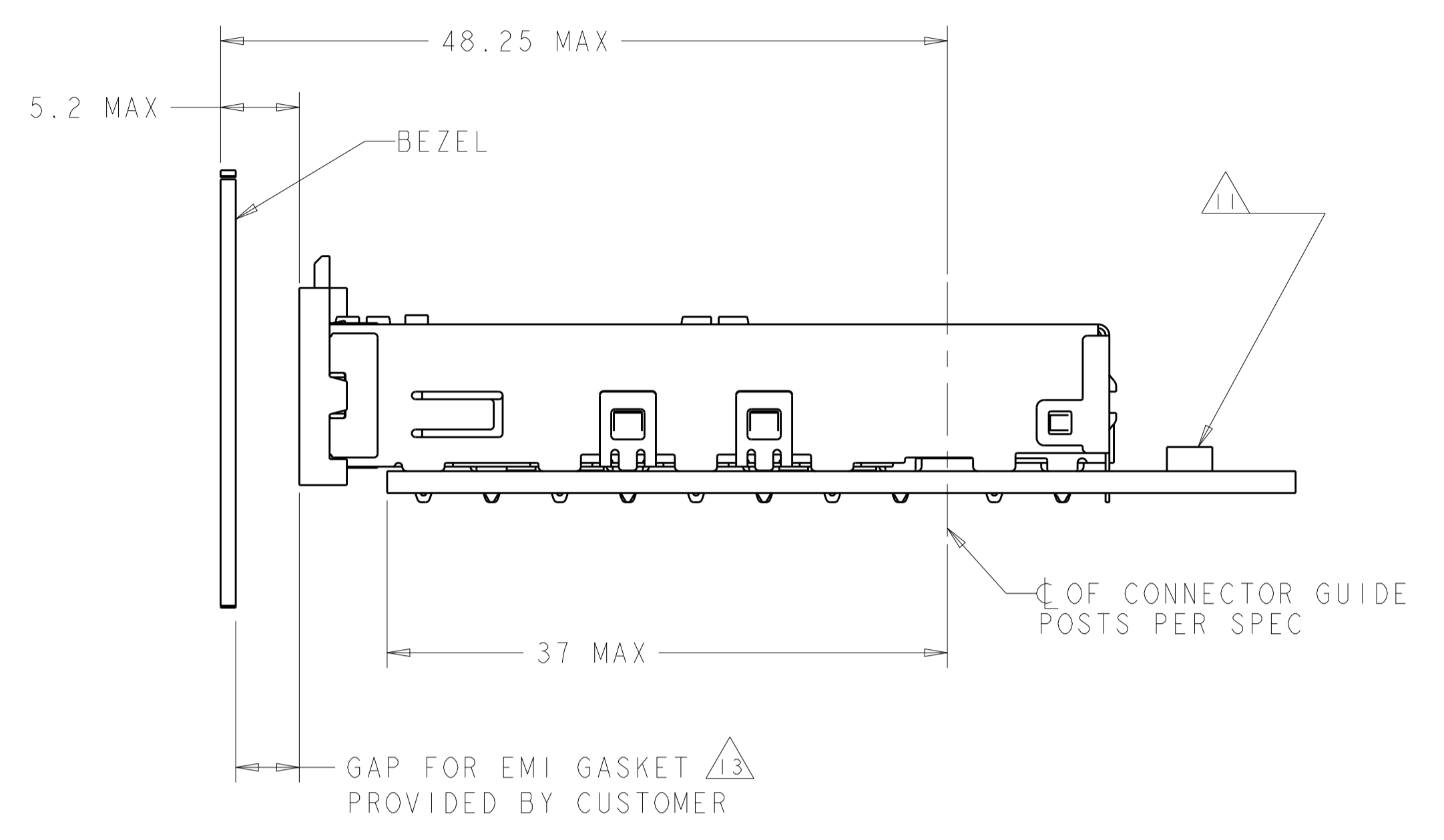
2007473-1  
PART NUMBER

THIS DRAWING IS A CONTROLLED DOCUMENT.		DWN: C. VALENTIN CHK: E. BRIGHT APVD: E. BRIGHT	Z1NOV2007 Z1NOV2007 Z1NOV2007	TE Connectivity NAME: 1X3 CAGE ASSEMBLY, W/ LIGHT PIPE BRACKET, BEHIND BEZEL, QSFP PRODUCT SPEC: 108-2286 APPLICATION SPEC: 114-13218	RESTRICTED TO
DIMENSIONS:	TOLERANCES UNLESS OTHERWISE SPECIFIED:	MATERIAL:	FINISH:		SIZE: A1 CAGE CODE: 00779 DRAWING NO: C=2007473
mm	0 PLC ±.1 2 PLC ±0.1 3 PLC ±0.13 4 PLC ±0.0001	14	15	CUSTOMER DRAWING	SCALE 3:1

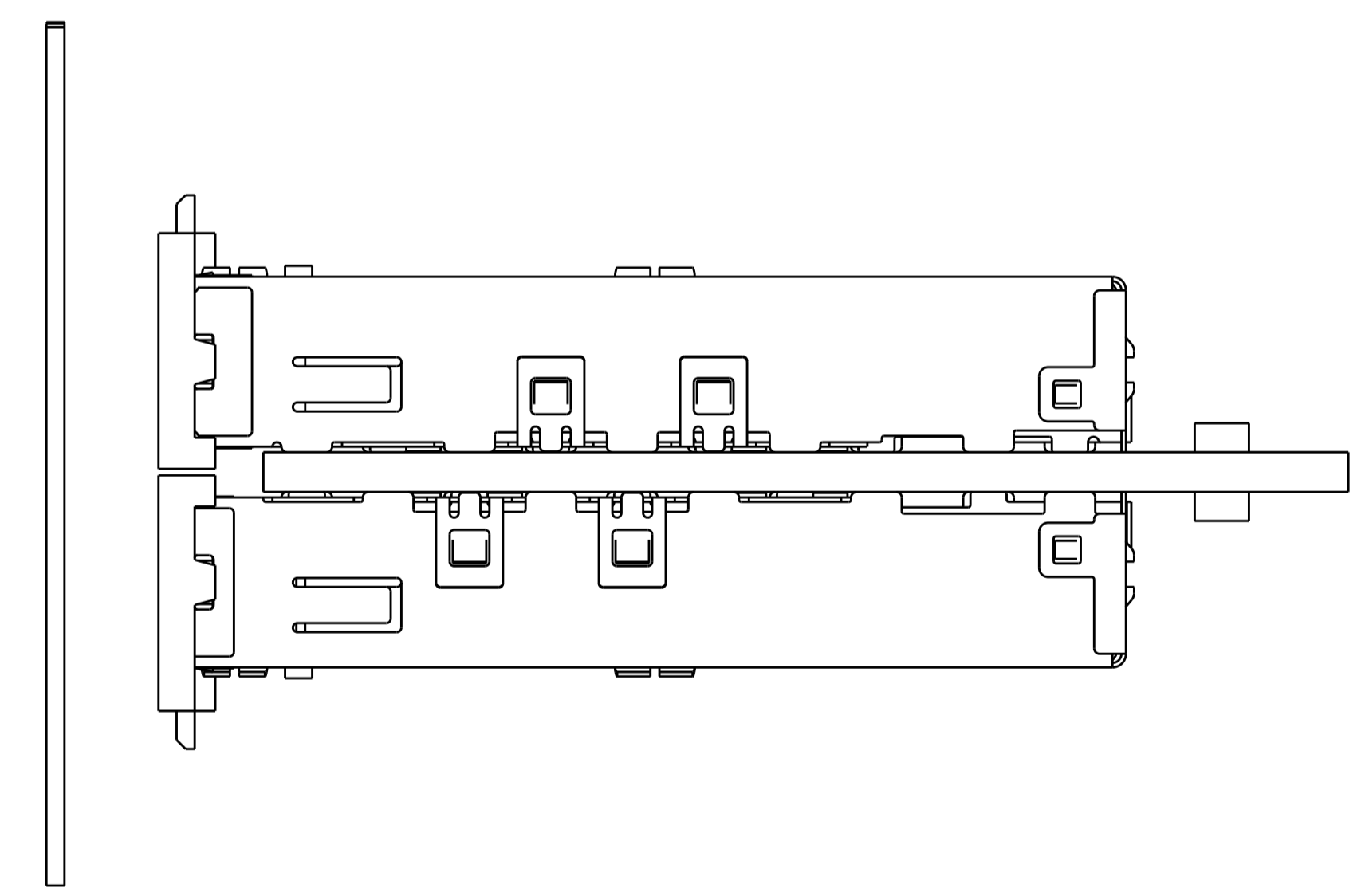
REVISIONS				
P.	LTR.	DESCRIPTION	DATE	OWN. APVD.
-	-	SEE SHEET 1	-	-



ONE SIDED CONFIGURATION  
 SCALE 3:1



BELLY TO BELLY CONFIGURATION SIMILAR TO ONE SIDED EXCEPT WHERE NOTED  
 SCALE 3:1

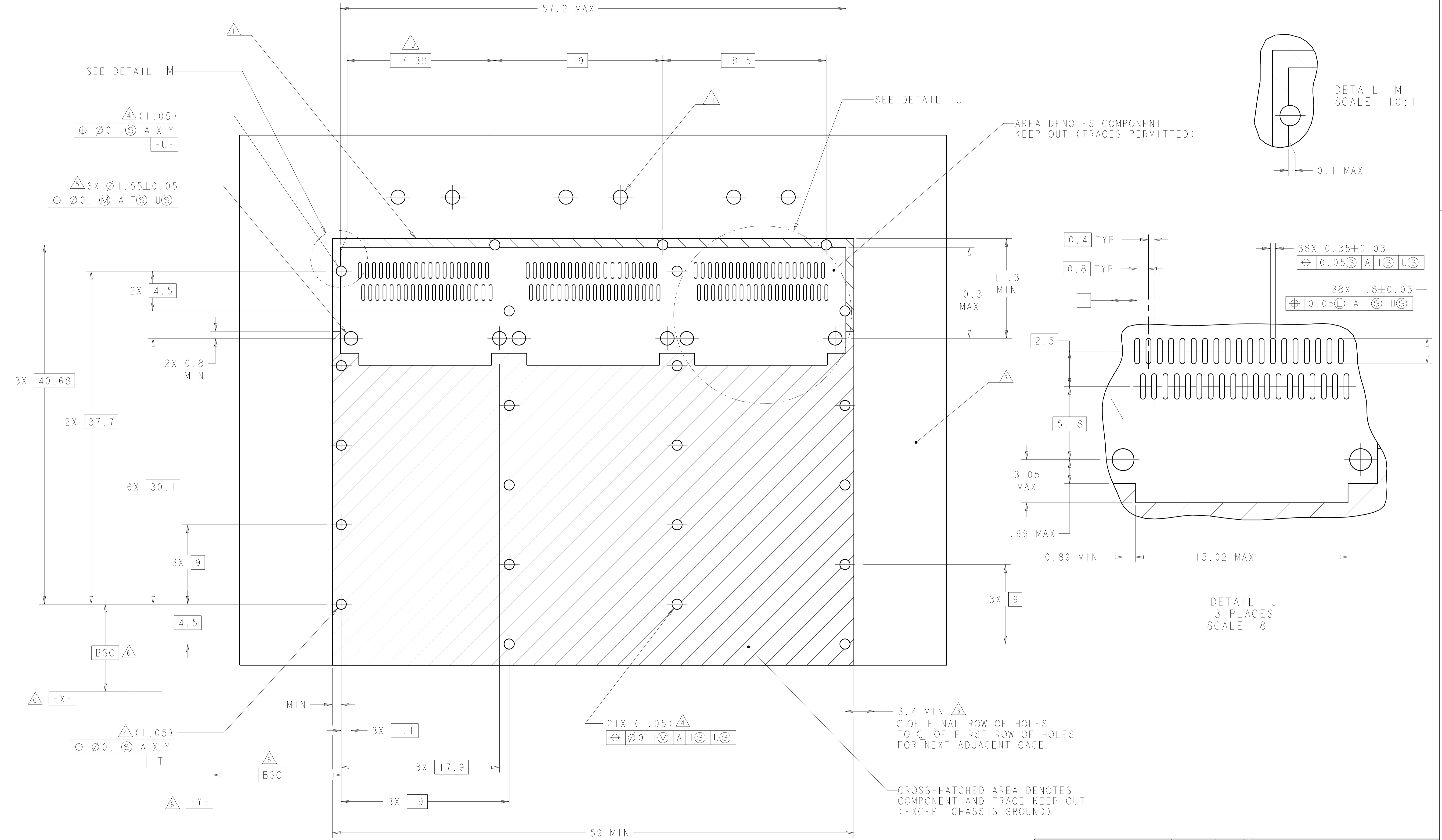


THIS PRODUCT HAS NOT COMPLETED VALIDATION/QUALIFICATION TESTING

THIS DRAWING IS A CONTROLLED DOCUMENT.		OWN: C. VALENTIN 21NOV2007	TE Connectivity
DIMENSIONS: mm		CHK: E. BRIGHT 21NOV2007	
		APVD: F. BRIGHT 21NOV2007	NAME: IX3 CAGE ASSEMBLY, W/ LIGHT PIPE BRACKET, BEHIND BEZEL, QSFP
TOLERANCES UNLESS OTHERWISE SPECIFIED:		PRODUCT SPEC	RESTRICTED TO
0 PLC ±0.1		108-2286	SIZE: CAGE CODE DRAWING NO
1 PLC ±0.1		APPLICATION SPEC	A100779C=2007473
2 PLC ±0.013		114-13218	SCALE: 3:1 SHEET 2 OF 4 REV D
3 PLC ±0.001		WEIGHT	
4 PLC ±0.0001		CUSTOMER DRAWING	
ANGLES ±0.001			
FINISH			
MATERIAL: TBD			



REVISIONS				
P.	LTN.	DESCRIPTION	DATE	APVD.
-	-	SEE SHEET 1	-	-

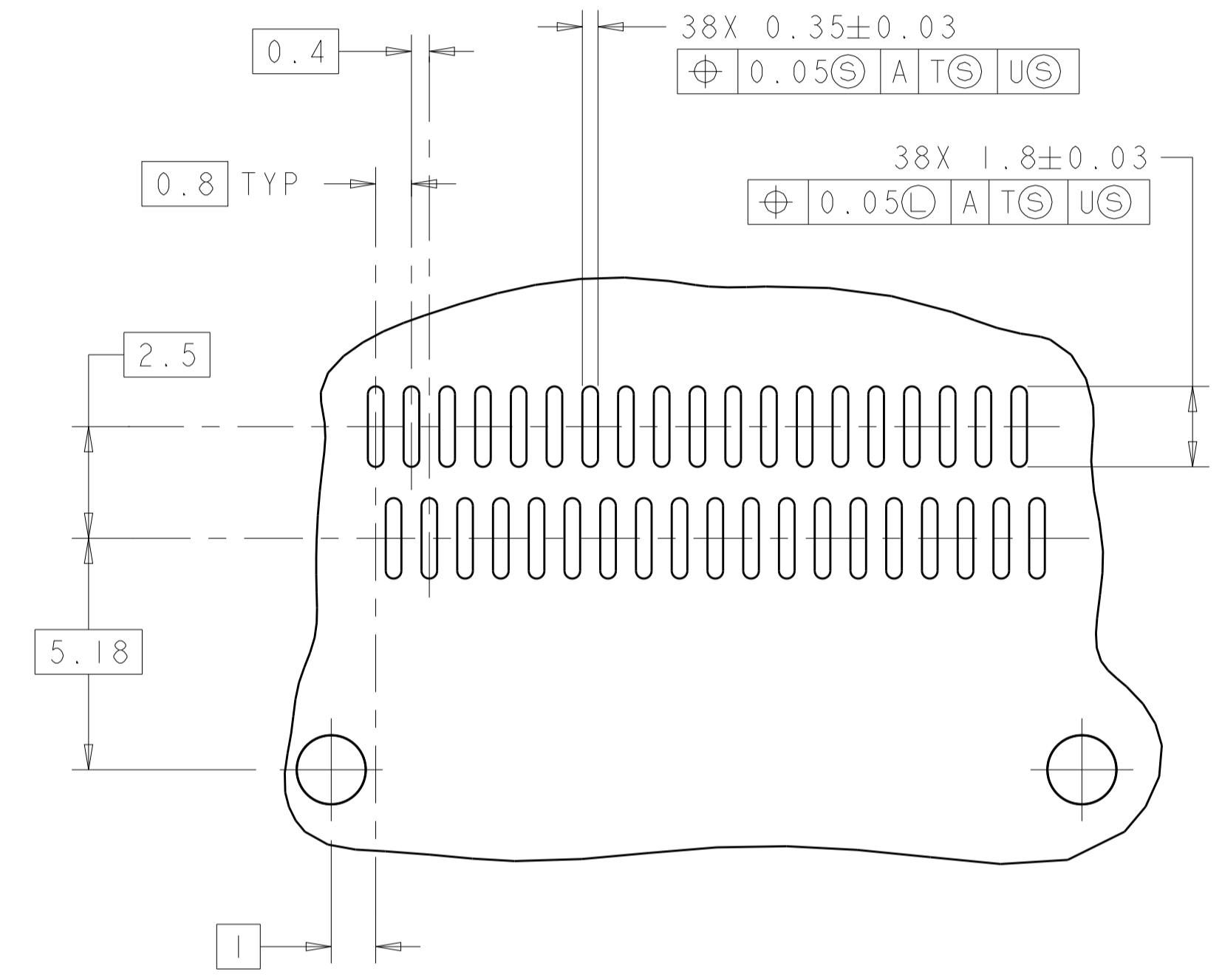
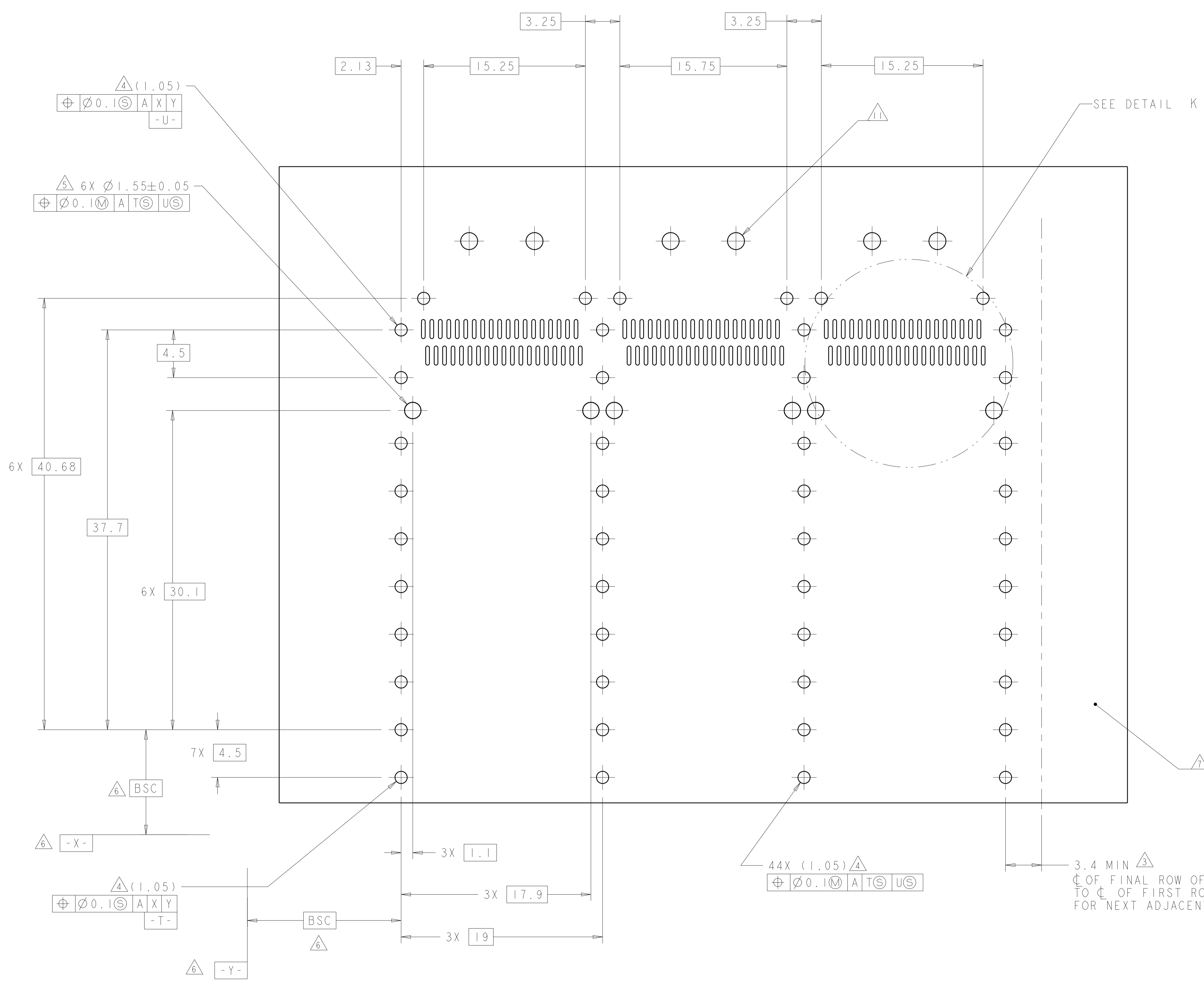


THIS PRODUCT HAS NOT COMPLETED VALIDATION/QUALIFICATION TESTING

RECOMMENDED PC BOARD LAYOUT  
 SINGLE SIDE MOUNT CONFIGURATION  
 SCALE 5:1

THIS DRAWING IS A CONTROLLED DOCUMENT.		DWN C. VALENTIN CHK E. BRIGHT APVD E. BRIGHT	Z1NOV2007 Z1NOV2007 Z1NOV2007	TE Connectivity
DIMENSIONS:	TOLERANCES UNLESS OTHERWISE SPECIFIED:	NAME 1X3 CAGE ASSEMBLY, W/ LIGHT PIPE BRACKET, BEHIND BEZEL, QSFP		
mm	0 PLC ±0.1 2 PLC ±0.1 3 PLC ±0.013 4 PLC ±0.001	PRODUCT SPEC 108-2286		SIZE 114-13218
MATERIAL TBD	FINISH	APPLICATION SPEC 114-13218		RESTRICTED TO
		WEIGHT		A100779C=2007473
		CUSTOMER DRAWING		SCALE 3:1 SHEET 3 OF 4 REV D

REVISIONS				
P.	LTN.	DESCRIPTION	DATE	APVD.
-	-	SEE SHEET 1	-	-



DETAIL K  
 3 PLACE  
 SCALE 8:1

RECOMMENDED PC BOARD LAYOUT  
 BELLY TO BELLY CONFIGURATION  
 SEE SHEET 3 FOR COMPONENT AND TRACE KEEP-OUTS  
 SCALE 5:1

THIS PRODUCT HAS NOT COMPLETED VALIDATION/QUALIFICATION TESTING

THIS DRAWING IS A CONTROLLED DOCUMENT.		DWN C. VALENTINE 21NOV2007 CHK E. BRIGHT 21NOV2007 APVD E. BRIGHT 21NOV2007	TE Connectivity	
DIMENSIONS: mm 	TOLERANCES UNLESS OTHERWISE SPECIFIED: 0 PLC ± 1 PLC ±0.1 2 PLC ±0.1 3 PLC ±0.013 4 PLC ±0.0001 ANGLES ±0.0001	PRODUCT SPEC 108-2286 APPLICATION SPEC 114-13218 WEIGHT - CUSTOMER DRAWING	NAME 1X3 CAGE ASSEMBLY, W/ LIGHT PIPE BRACKET, BEHIND BEZEL, QSFP SIZE CAGE CODE DRAWING NO. A100779C=2007473 RESTRICTED TO -	SCALE 3:1 SHEET 4 OF 4 REV D