



Chipsmall Limited consists of a professional team with an average of over 10 year of expertise in the distribution of electronic components. Based in Hongkong, we have already established firm and mutual-benefit business relationships with customers from,Europe,America and south Asia,supplying obsolete and hard-to-find components to meet their specific needs.

With the principle of “Quality Parts,Customers Priority,Honest Operation,and Considerate Service”,our business mainly focus on the distribution of electronic components. Line cards we deal with include Microchip,ALPS,ROHM,Xilinx,Pulse,ON,Everlight and Freescale. Main products comprise IC,Modules,Potentiometer,IC Socket,Relay,Connector.Our parts cover such applications as commercial,industrial, and automotives areas.

We are looking forward to setting up business relationship with you and hope to provide you with the best service and solution. Let us make a better world for our industry!



Contact us

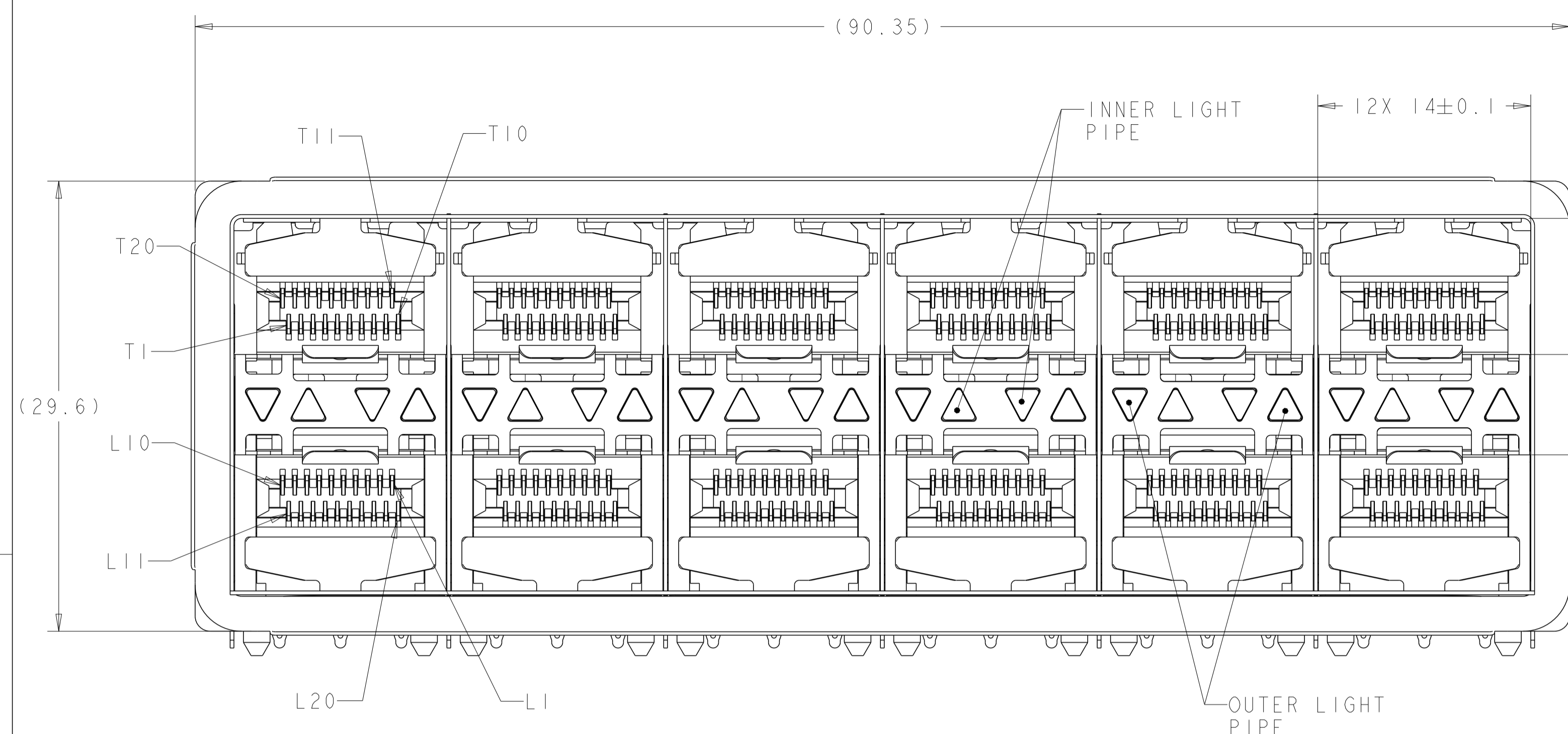
Tel: +86-755-8981 8866 Fax: +86-755-8427 6832

Email & Skype: info@chipsmall.com Web: www.chipsmall.com

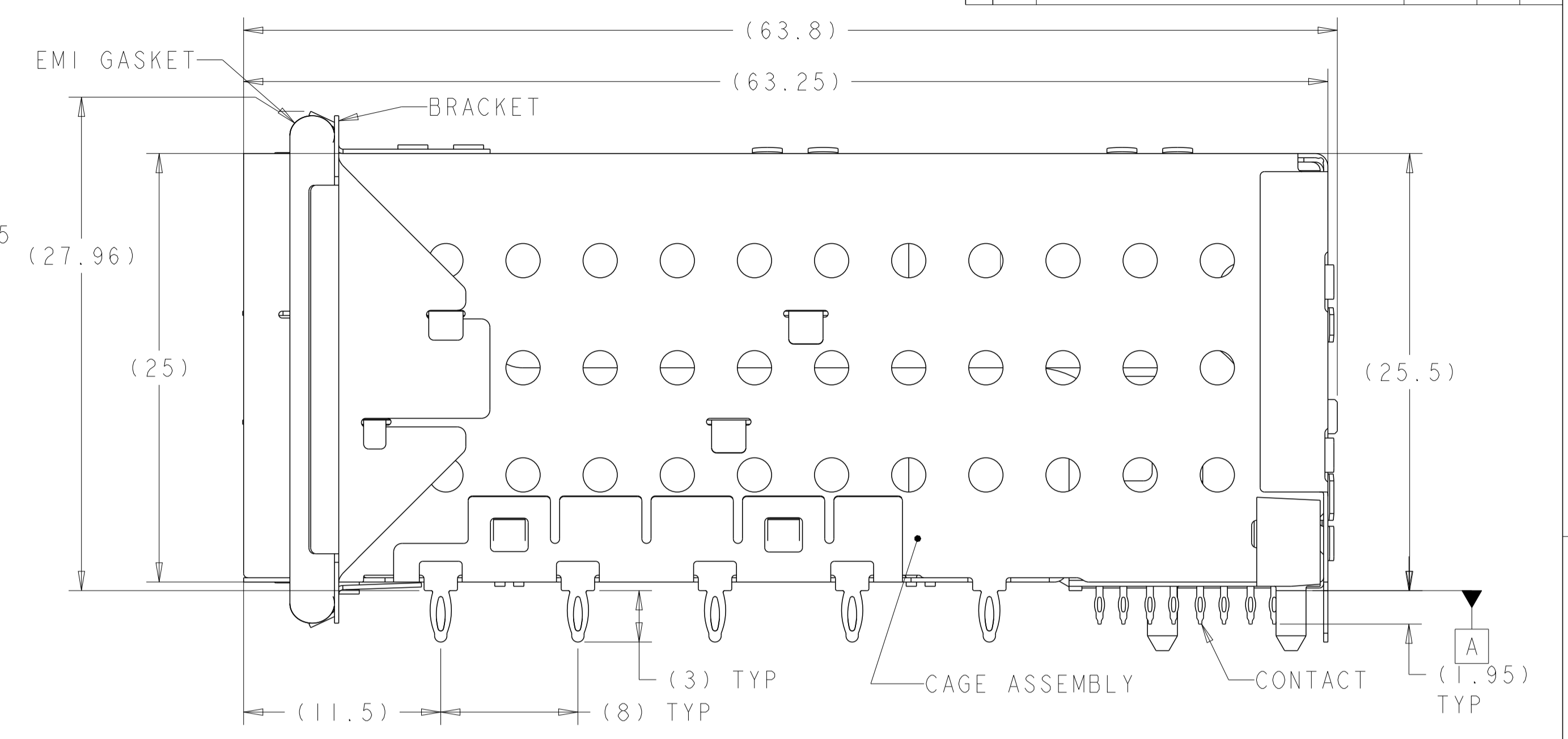
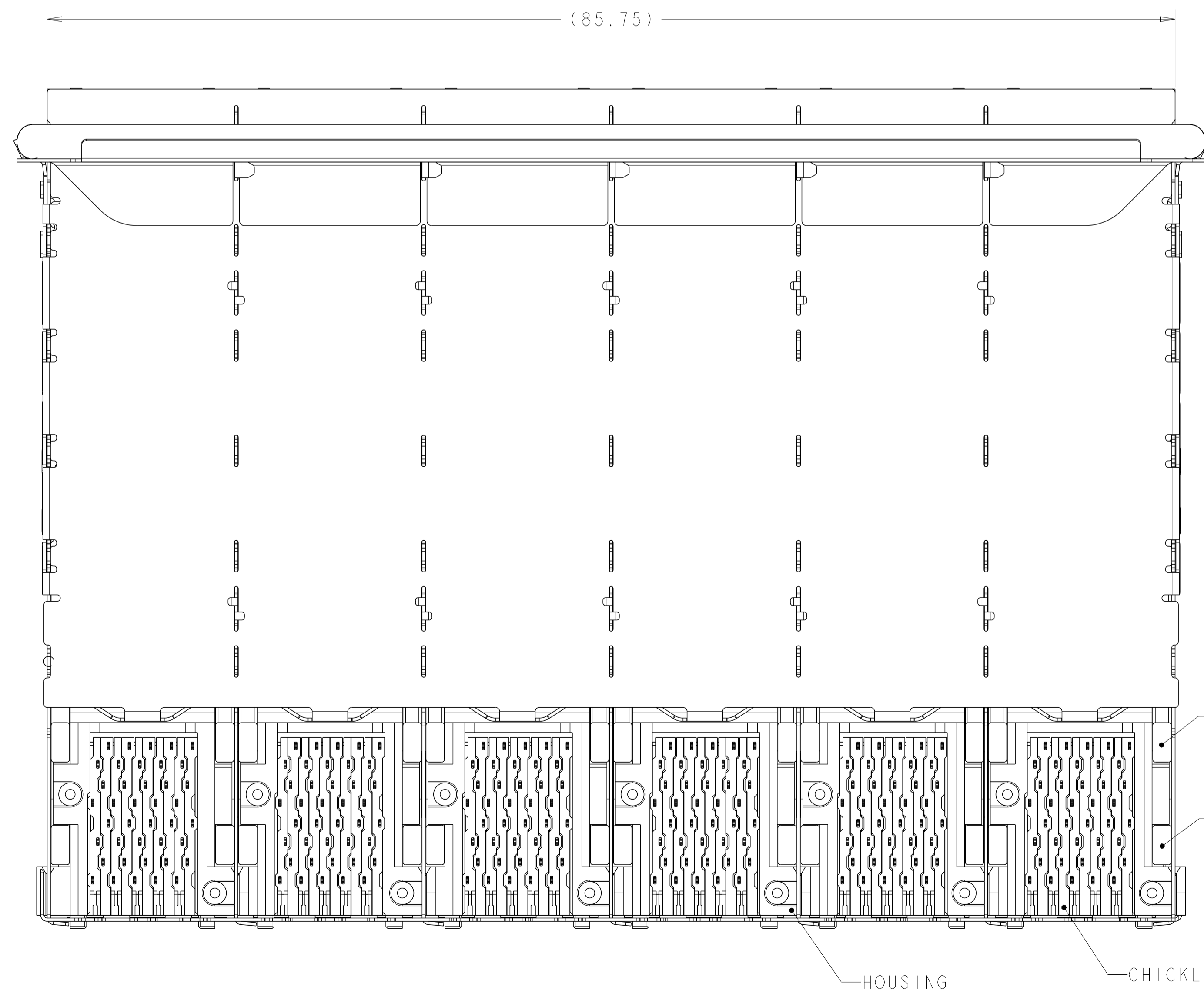
Address: A1208, Overseas Decoration Building, #122 Zhenhua RD., Futian, Shenzhen, China



| REVISIONS | | | | |
|-----------|-----|---------------------------|-----------|----------|
| P | LTN | DESCRIPTION | DATE | OWN APVD |
| D | | REVISED PER ECO-15-017922 | 01APR2016 | AP RP |



2007567-5 AS SHOWN



- 1 MATERIALS:
 CAGE ASSEMBLY- NICKEL SILVER ALLOY PER ASTM B 122.
 BRACKET- STAINLESS STEEL.
 EMI GASKET- PLATED FILLED SILICONE.
 HOUSING- BLACK LCP, UL 94V-0 RATED.
 CHICKLET- BLACK LCP, UL 94V-0 RATED.
 LIGHT PIPE- POLYCARBONATE, CLEAR.
 INSERT - (FOR LIGHT PIPE PART NUMBERS ONLY) - LCP, BLACK, UL 94V-0.
 CONTACT- COPPER ALLOY.
- 2 DATUM AND BASIC DIMENSIONS ESTABLISHED BY CUSTOMER.
- 3. MINIMUM PCB THICKNESS OF 1.5.
- 4 CONTACT FINISH- CONFORMS TO THE REQUIREMENTS OF TYCO ELECTRONICS PRODUCT SPECIFICATION 108-2331, BASED ON EIA/ECA-364-1000.01A, (CONTROLLED ENVIRONMENT APPLICATIONS) ON MATING INTERFACE, TIN-LEAD ON NEEDLE EYE.
- 5 CONTACT FINISH- CONFORMS TO THE REQUIREMENTS OF TYCO ELECTRONICS PRODUCT SPECIFICATION 108-2331, BASED ON EIA/ECA-364-1000.01A, (CONTROLLED ENVIRONMENT APPLICATIONS) ON MATING INTERFACE, TIN ON NEEDLE EYE.
- 6 FOR HOLE SIZE AND PLATINGS, SEE APPLICATION SPEC 114-13219.
- 7 THE ENTIRE AREA OF THE CONNECTOR FOOTPRINT, INDICATED BY THE DASHED LINE, TO BE CONSIDERED THE KEEPOUT AREA FOR COMPONENTS AND SIGNAL TRACES, TOP SIDE ONLY. TOP SIDE TRACES ALLOWED WITHIN CONNECTOR HOLE PATTERN.
- 8 LIGHT PIPE PAD LAYOUT IS FOR 0805 LOW PROFILE LED PACKAGE WITH A HEIGHT OF 0.8mm.
- 9 ADDITIONAL COMPONENT LOCATED WITHIN LATCHPLATE FOR EMI SUPPRESSION

| ENHANCED EMI | FINISH | DESCRIPTION | PART NUMBER |
|--------------|--------|---------------------|-------------|
| YES 9 | 5 | NO LIGHT PIPES | 1-2007567-8 |
| | | OUTER 2 LIGHT PIPES | 1-2007567-7 |
| | | INNER 2 LIGHT PIPES | 1-2007567-6 |
| NO | 5 | 4 LIGHT PIPES | 1-2007567-5 |
| | | NO LIGHT PIPES | 2007567-8 |
| | | OUTER 2 LIGHT PIPES | 2007567-7 |
| SUPERSEDED | NO | INNER 2 LIGHT PIPES | 2007567-6 |
| | | 4 LIGHT PIPES | 2007567-5 |
| | | NO LIGHT PIPES | 2007567-4 |
| | | OUTER 2 LIGHT PIPES | 2007567-3 |
| | | INNER 2 LIGHT PIPES | 2007567-2 |
| | | 4 LIGHT PIPES | 2007567-1 |

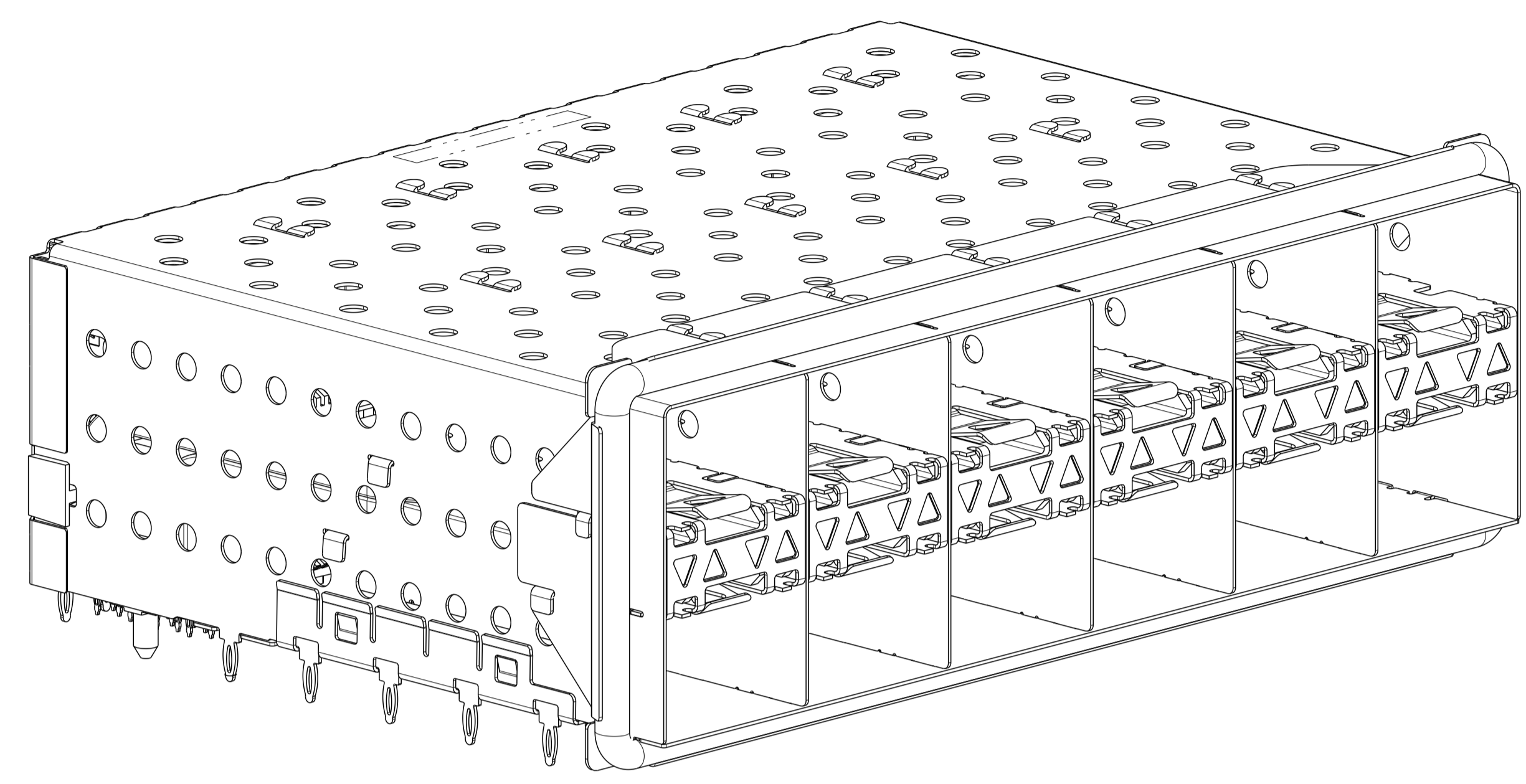
THIS DRAWING IS A CONTROLLED DOCUMENT. DIMENSIONS: mm. TOLERANCES UNLESS OTHERWISE SPECIFIED: 0 PLC ±0.10, 1 PLC ±0.10, 2 PLC ±0.10, 3 PLC ±0.10, 4 PLC ±0.10, ANGLES ±°. MATERIAL: 1. FINISH: 4, 5.

OWN: M. SHIRK 18JAN2008
 CHK: D. SZCZESNY 18JAN2008
 APVD: D. SZCZESNY 18JAN2008

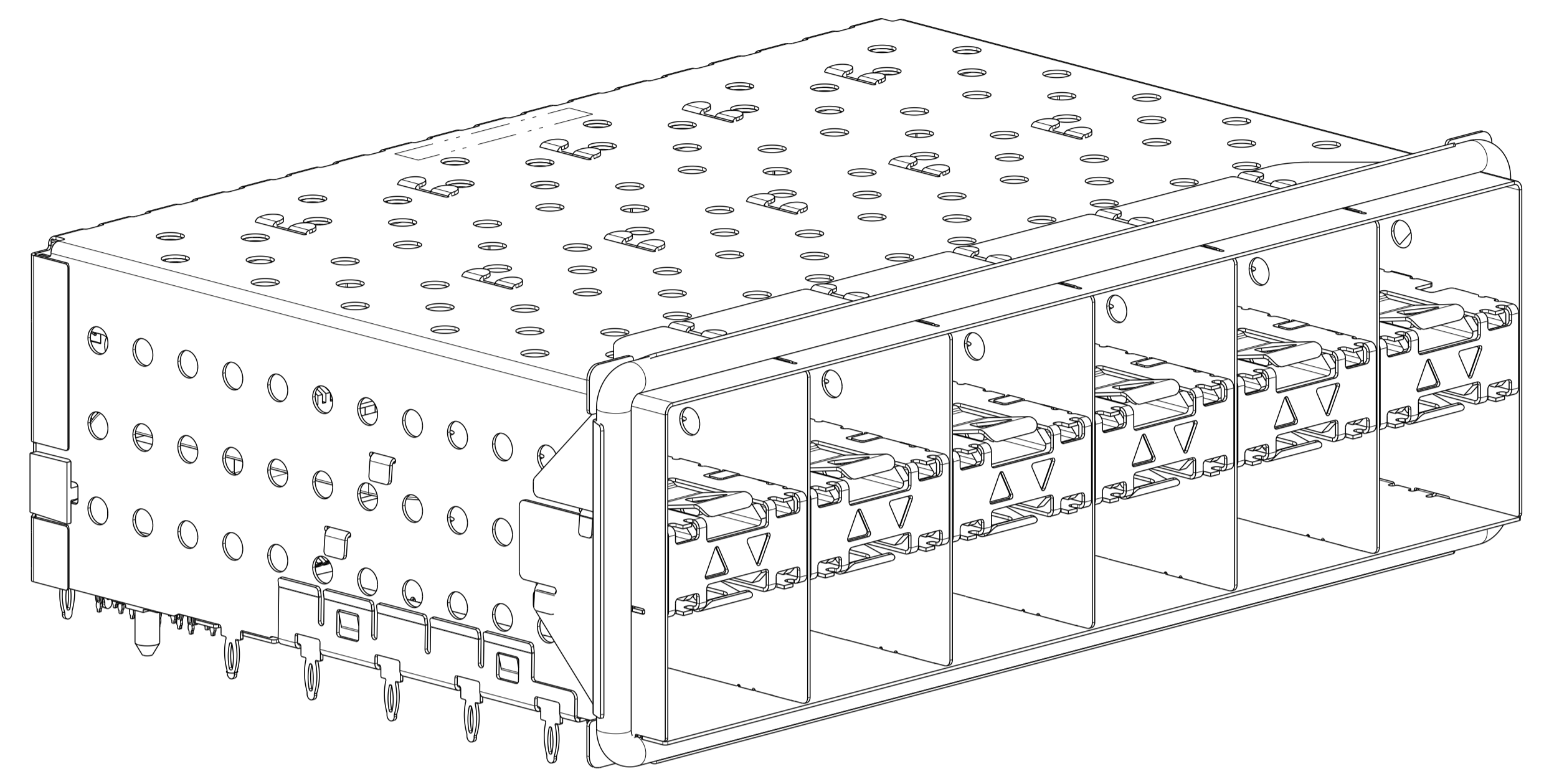
NAME: CAGE AND PT CONNECTOR ASSEMBLY, WITH EMI GASKET, PRESS FIT, 2X6, STACKED SFP+
 PRODUCT SPEC: 108-2331
 APPLICATION SPEC: 114-13219
 WEIGHT: -
 CUSTOMER DRAWING

SCALE: 4:1 SHEET 1 OF 4 REV D

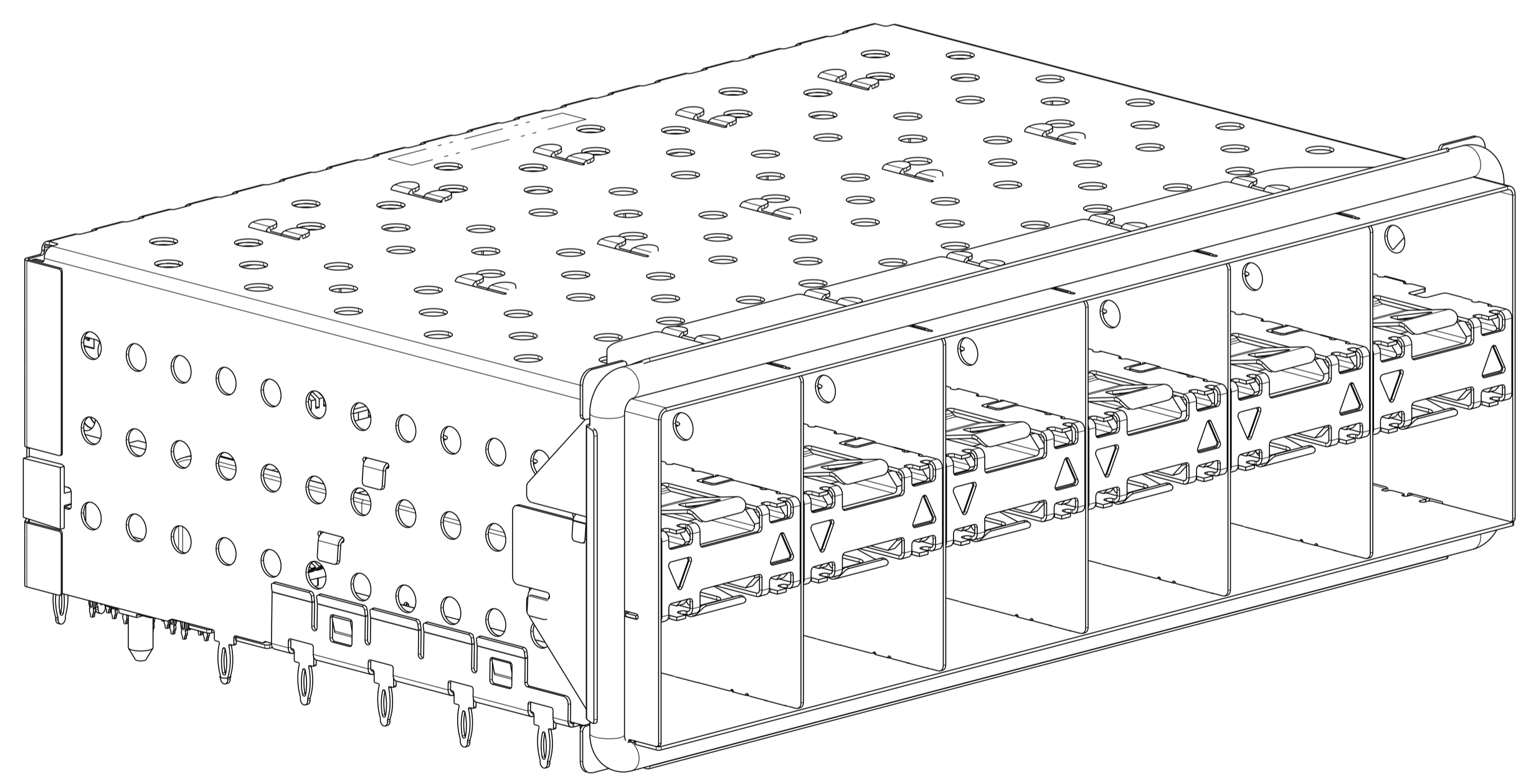
| REVISIONS | | | | |
|-----------|-----|-------------|------|------|
| P | LTN | DESCRIPTION | DATE | APVD |
| - | - | SEE SHEET 1 | - | - |
| | | | | |
| | | | | |



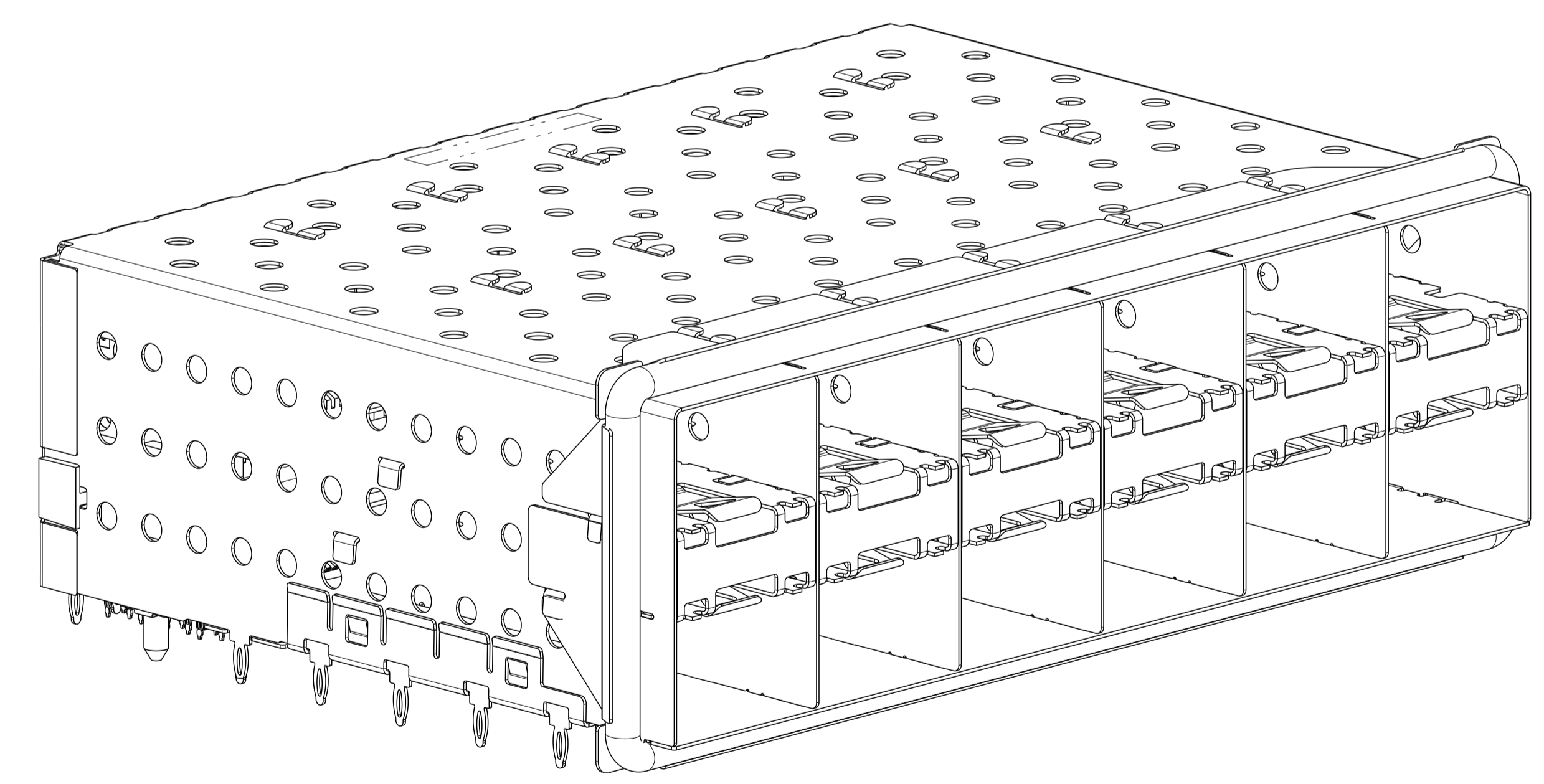
2007567-5 AND 1-2007567-5
 SCALE 3:1



2007567-6 AND 1-2007567-6
 SCALE 3:1



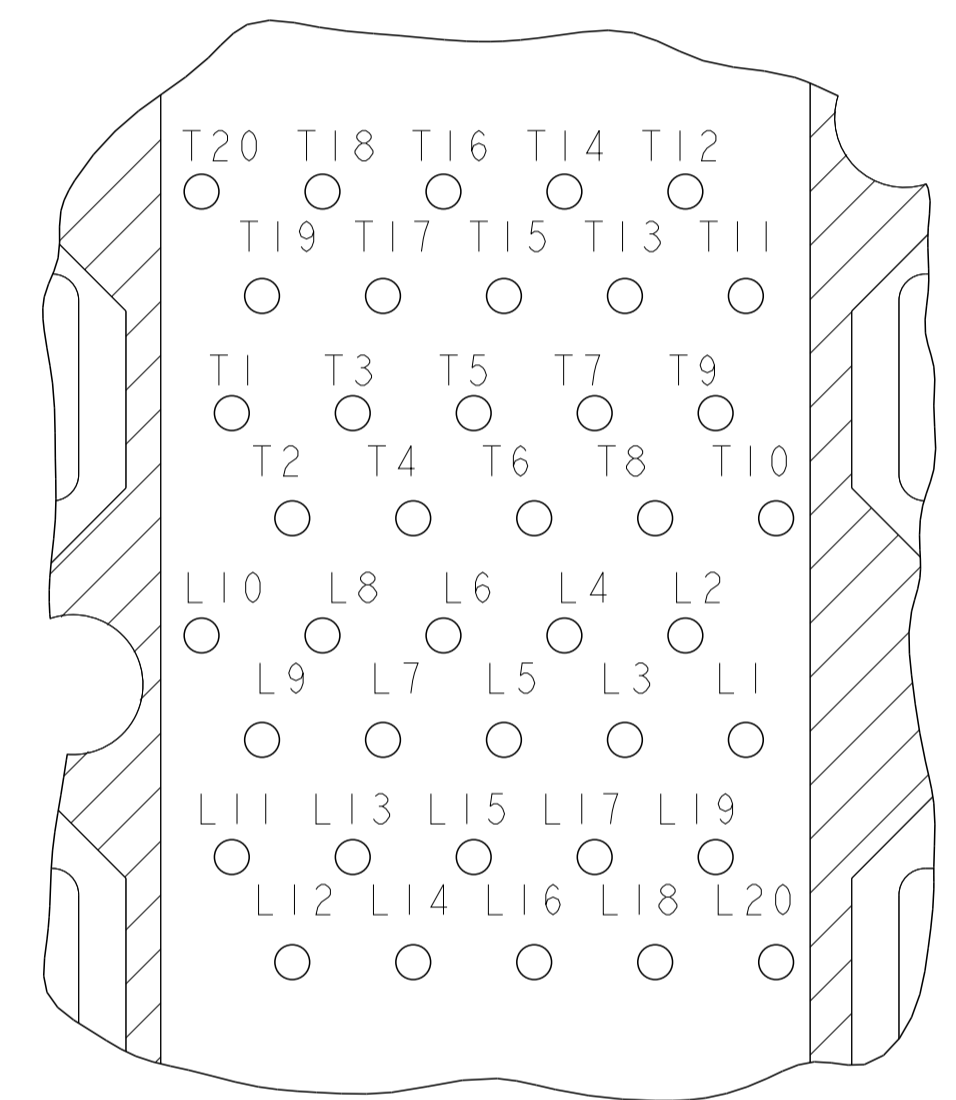
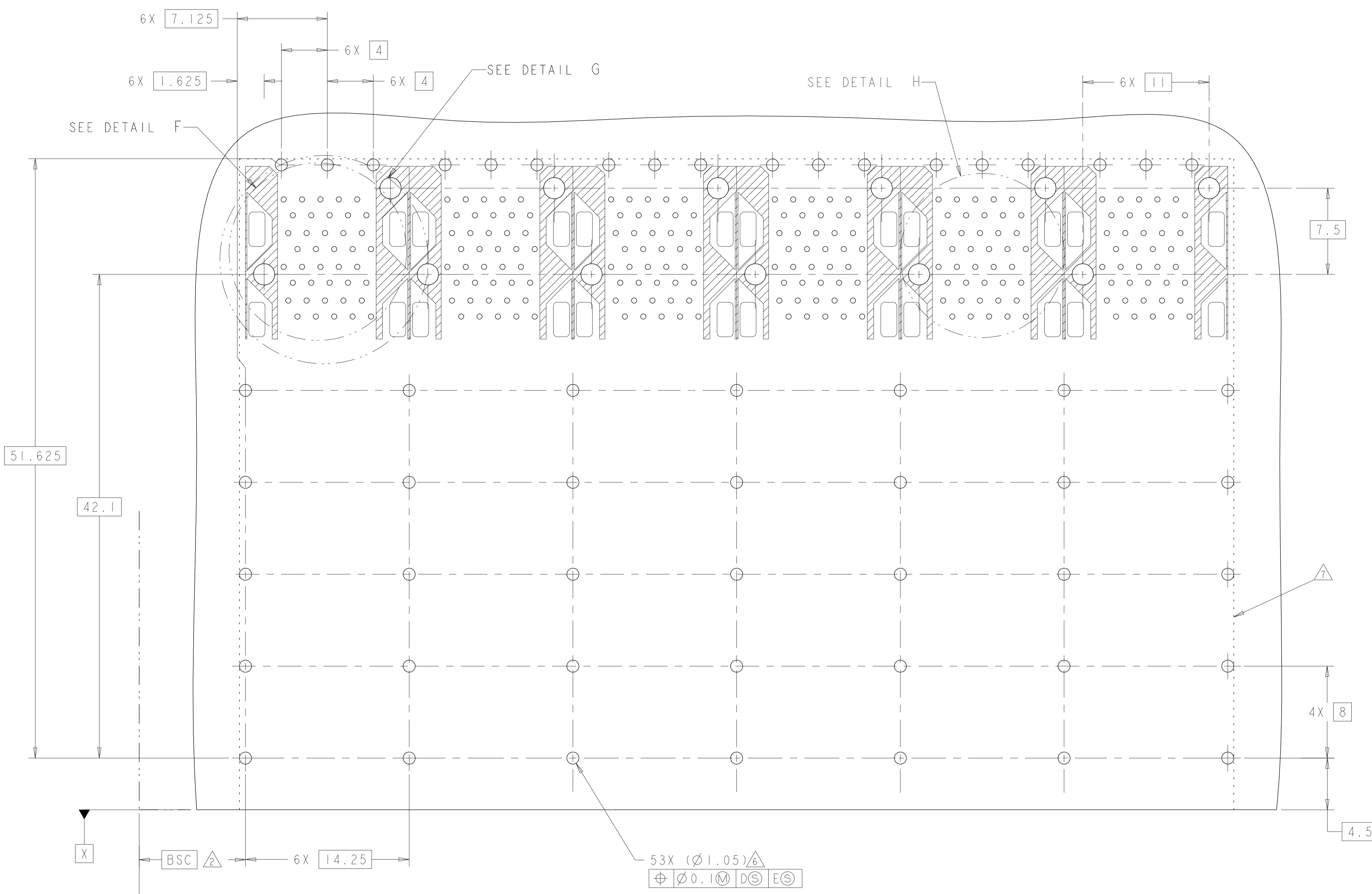
2007567-7 AND 1-2007567-7
 SCALE 3:1



2007567-8 AND 1-2007567-8
 SCALE 3:1

| | | | |
|--|--|--|--|
| THIS DRAWING IS A CONTROLLED DOCUMENT. | | OWN: M. SHIRK 18JAN2008 | TE Connectivity NAME: CAGE AND PT CONNECTOR ASSEMBLY, WITH EMI GASKET, PRESS FIT, 2X6, STACKED SFP+ PRODUCT SPEC: 108-2331 APPLICATION SPEC: 114-13219 WEIGHT: - MATERIAL: - FINISH: - |
| DIMENSIONS: | | CHK: D. SZCZESNY 18JAN2008 | |
| TOLERANCES UNLESS OTHERWISE SPECIFIED: | | APVD: D. SZCZESNY 18JAN2008 | |
| 0 PLC ±0.10 1 PLC ±0.10 2 PLC ±0.10 3 PLC ±0.10 4 PLC ±0.10 ANGLES ±° FINISH ± | | SIZE: CAGE CODE DRAWING NO. RESTRICTED TO A100779C=2007567 CUSTOMER DRAWING SCALE 4:1 SHEET 2 OF 4 REV D | |

| REVISIONS | | | | |
|-----------|------|-------------|------|-------|
| P. | LTN. | DESCRIPTION | DATE | APVD. |
| - | - | SEE SHEET 1 | - | - |
| | | | | |
| | | | | |

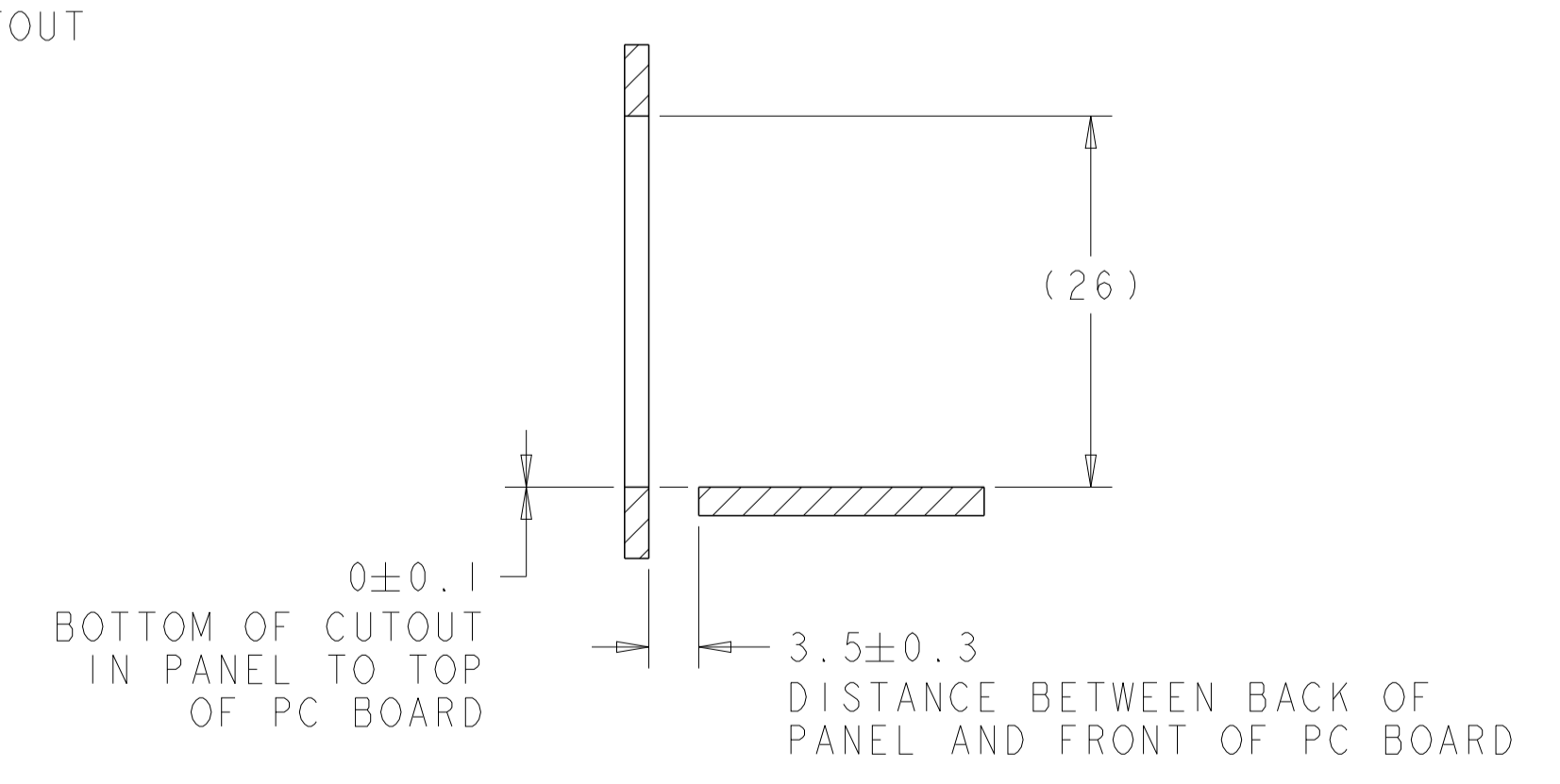
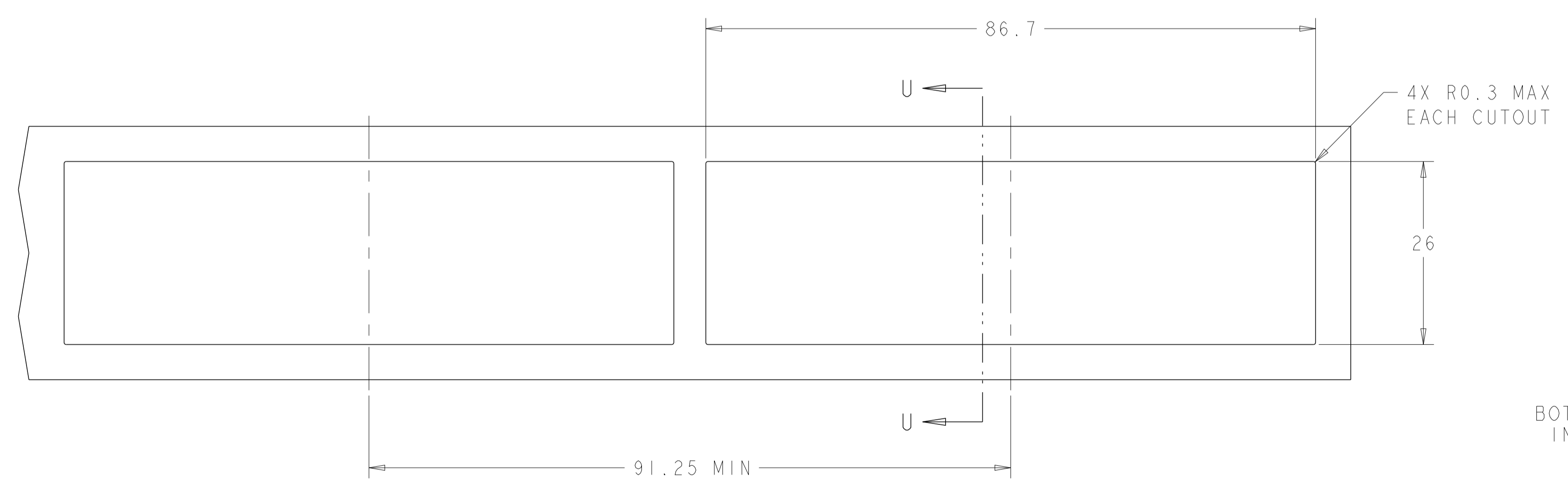
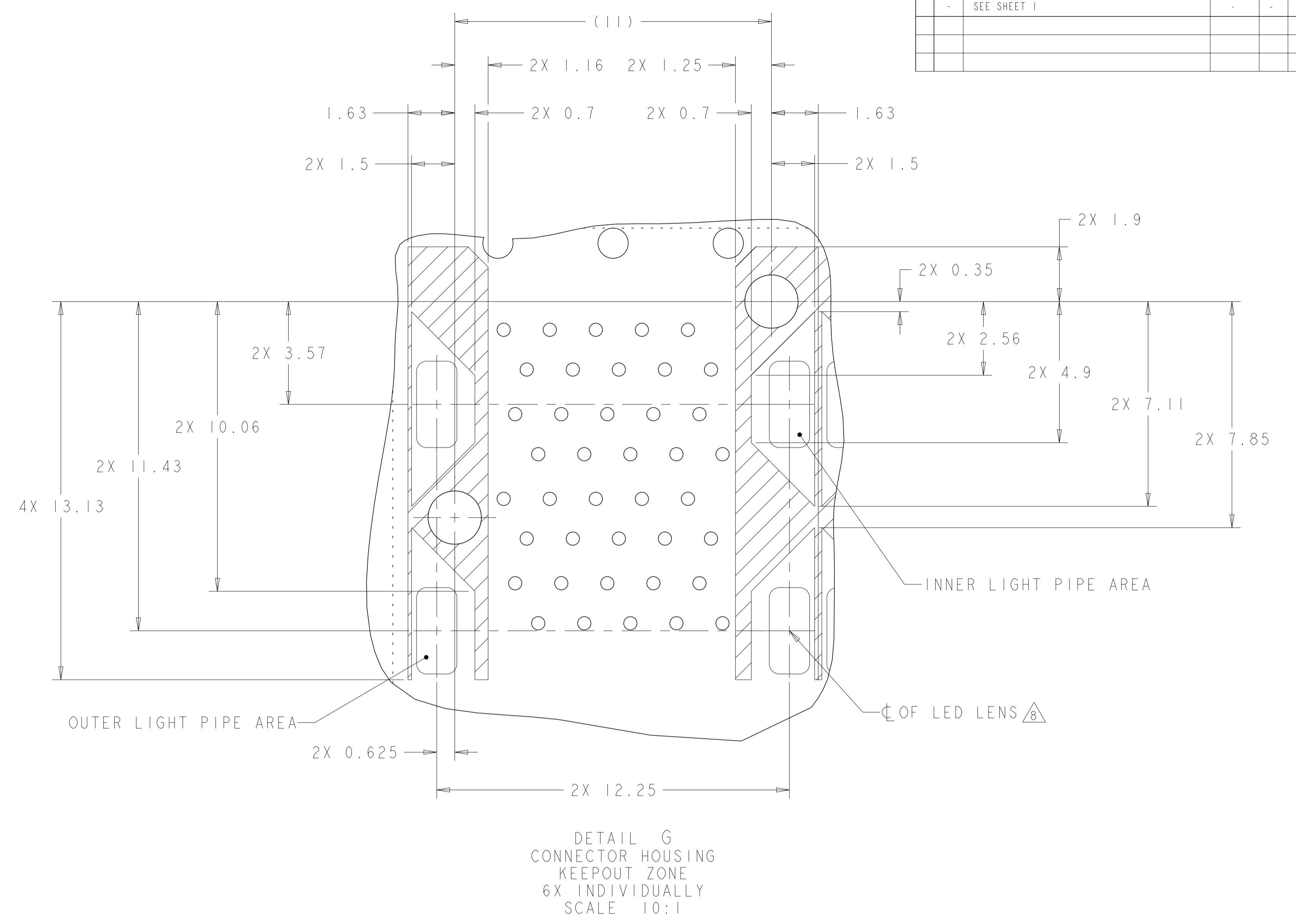
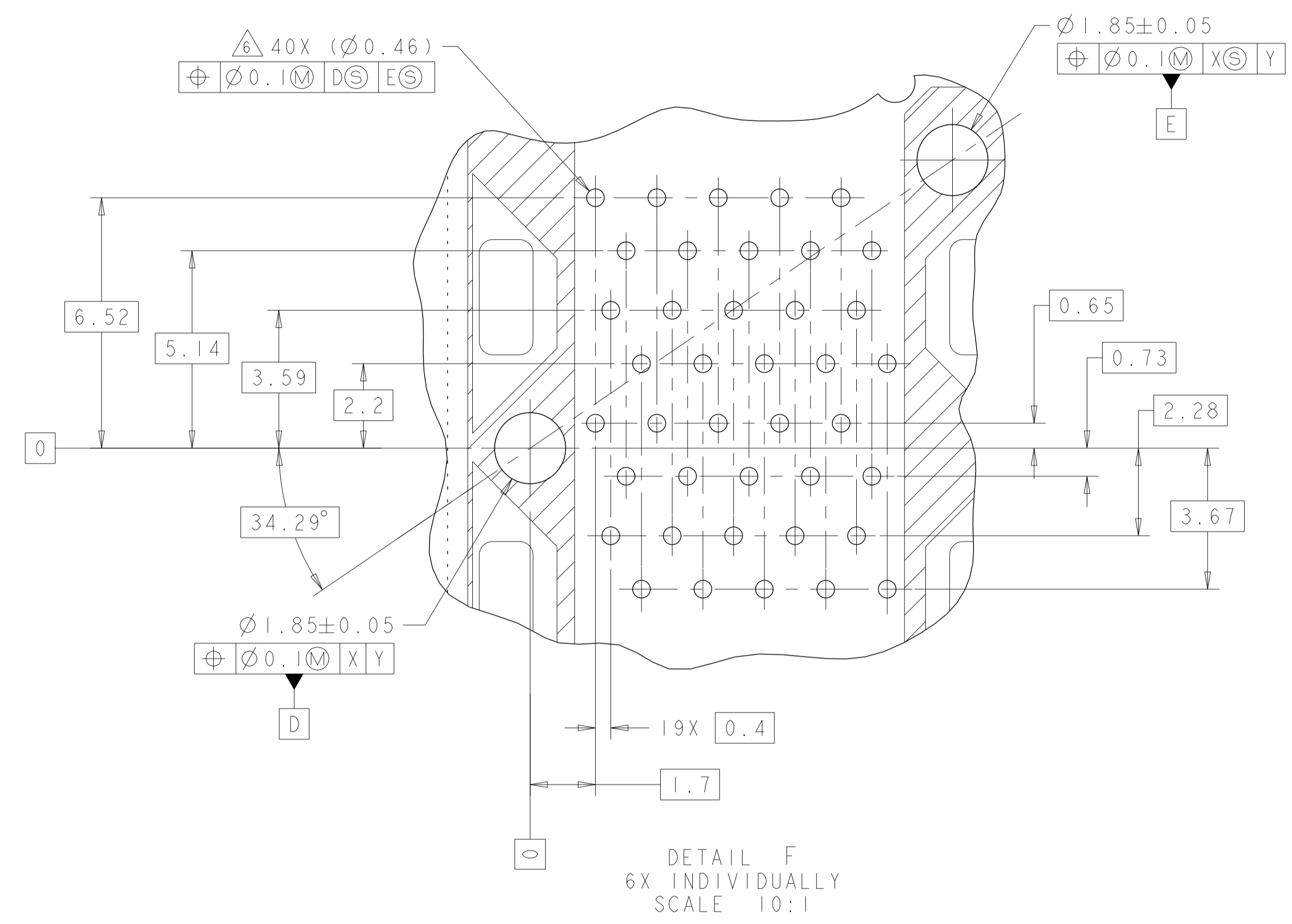


DETAIL H
 CONNECTOR PIN-OUT
 COMPONENT SIDE OF BOARD
 6X INDIVIDUALLY
 SCALE 10:1

RECOMMENDED PCB LAYOUT
 COMPONENT SIDE OF BOARD
 SCALE 5:1

| | | | |
|--|--|----------------------------------|--|
| THIS DRAWING IS A CONTROLLED DOCUMENT. | | OWN M. SHIRK 18JAN2008 | TE Connectivity NAME CAGE AND PT CONNECTOR ASSEMBLY, WITH EMI GASKET, PRESS FIT, 2X6, STACKED SFP+ |
| DIMENSIONS: mm | | CHK D. SZCZESNY 18JAN2008 | |
| TOLERANCES UNLESS OTHERWISE SPECIFIED: | | APVD D. SZCZESNY 18JAN2008 | PRODUCT SPEC |
| 0 PLC ±0.10 | | APPLICATION SPEC | RESTRICTED TO |
| 1 PLC ±0.10 | | 114-13219 | SIZE CAGE CODE DRAWING NO |
| 2 PLC ±0.10 | | 108-2331 | A100779C=2007567 |
| 3 PLC ±0.10 | | WEIGHT | SCALE 4:1 SHEET 3 OF 4 REV D |
| 4 PLC ±0.10 | | CUSTOMER DRAWING | |
| ANGLES ±° | | | |
| FINISH | | | |

| REVISIONS | | | | |
|-----------|------|-------------|------|-------|
| P. | LTN. | DESCRIPTION | DATE | APVD. |
| - | - | SEE SHEET 1 | - | - |
| | | | | |
| | | | | |



| | | | |
|--|--|-----------------------------|---|
| THIS DRAWING IS A CONTROLLED DOCUMENT. | | OWN: M. SHIRK 18JAN2008 | TE Connectivity |
| DIMENSIONS: mm | | CHK: D. SZCZESNY 18JAN2008 | |
| TOLERANCES UNLESS OTHERWISE SPECIFIED: | | APVD: D. SZCZESNY 18JAN2008 | NAME: CAGE AND PT CONNECTOR ASSEMBLY, WITH EMI GASKET, PRESS FIT, 2X6, STACKED SFP+ |
| 0 PLC ±0.10 | | PRODUCT SPEC: 108-2331 | |
| 1 PLC ±0.10 | | APPLICATION SPEC: 114-13219 | SIZE: CAGE CODE DRAWING NO. RESTRICTED TO: A100779C=2007567 |
| 2 PLC ±0.10 | | WEIGHT: - | |
| 3 PLC ±0.10 | | CUSTOMER DRAWING | SCALE: 4:1 SHEET: 4 OF 4 REV: D |
| 4 PLC ±0.10 | | | |
| ANGLES ±° | | | |
| FINISH: - | | | |