



Chipsmall Limited consists of a professional team with an average of over 10 year of expertise in the distribution of electronic components. Based in Hongkong, we have already established firm and mutual-benefit business relationships with customers from,Europe,America and south Asia,supplying obsolete and hard-to-find components to meet their specific needs.

With the principle of “Quality Parts,Customers Priority,Honest Operation,and Considerate Service”,our business mainly focus on the distribution of electronic components. Line cards we deal with include Microchip,ALPS,ROHM,Xilinx,Pulse,ON,Everlight and Freescale. Main products comprise IC,Modules,Potentiometer,IC Socket,Relay,Connector.Our parts cover such applications as commercial,industrial, and automotives areas.

We are looking forward to setting up business relationship with you and hope to provide you with the best service and solution. Let us make a better world for our industry!



Contact us

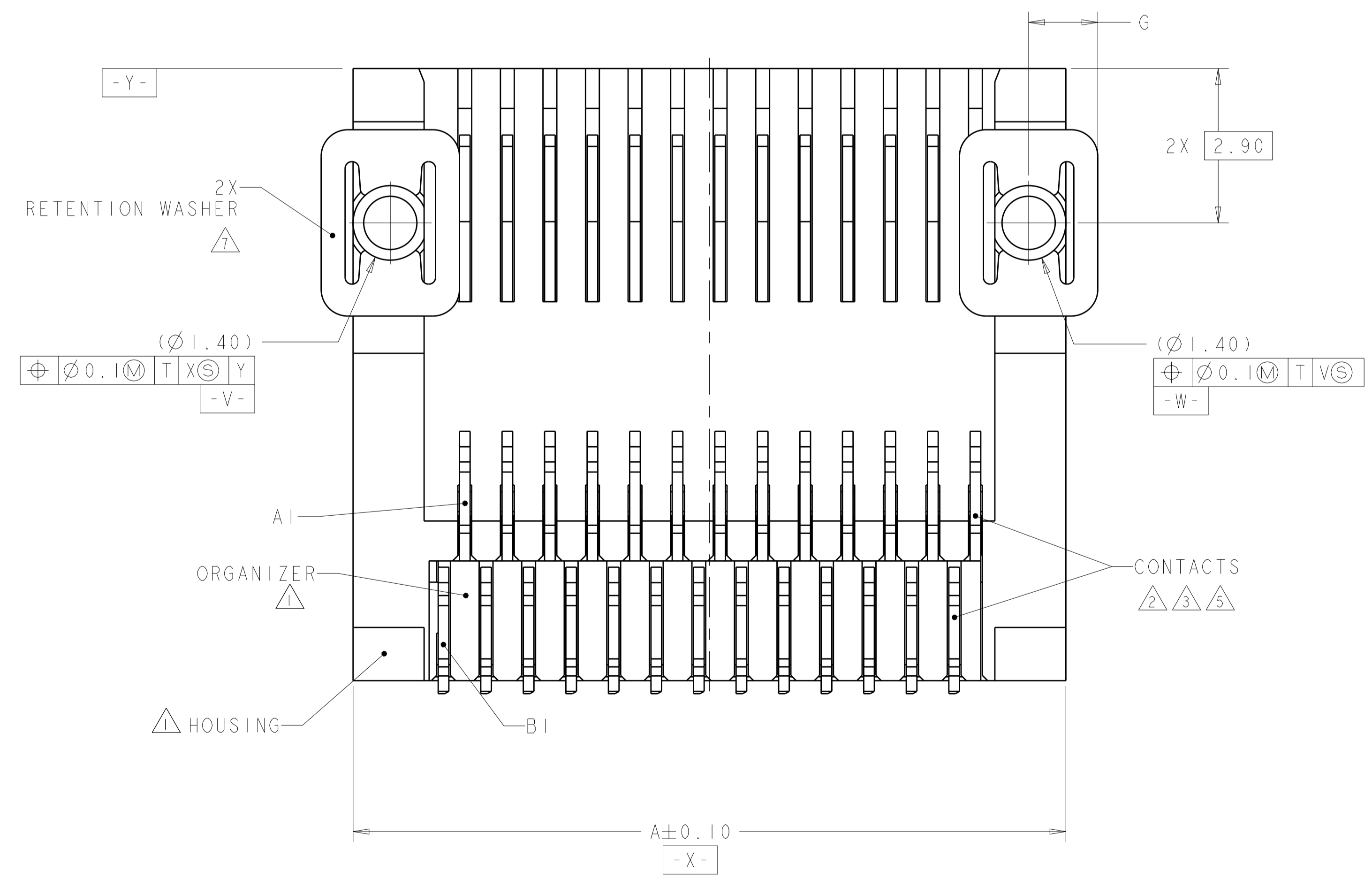
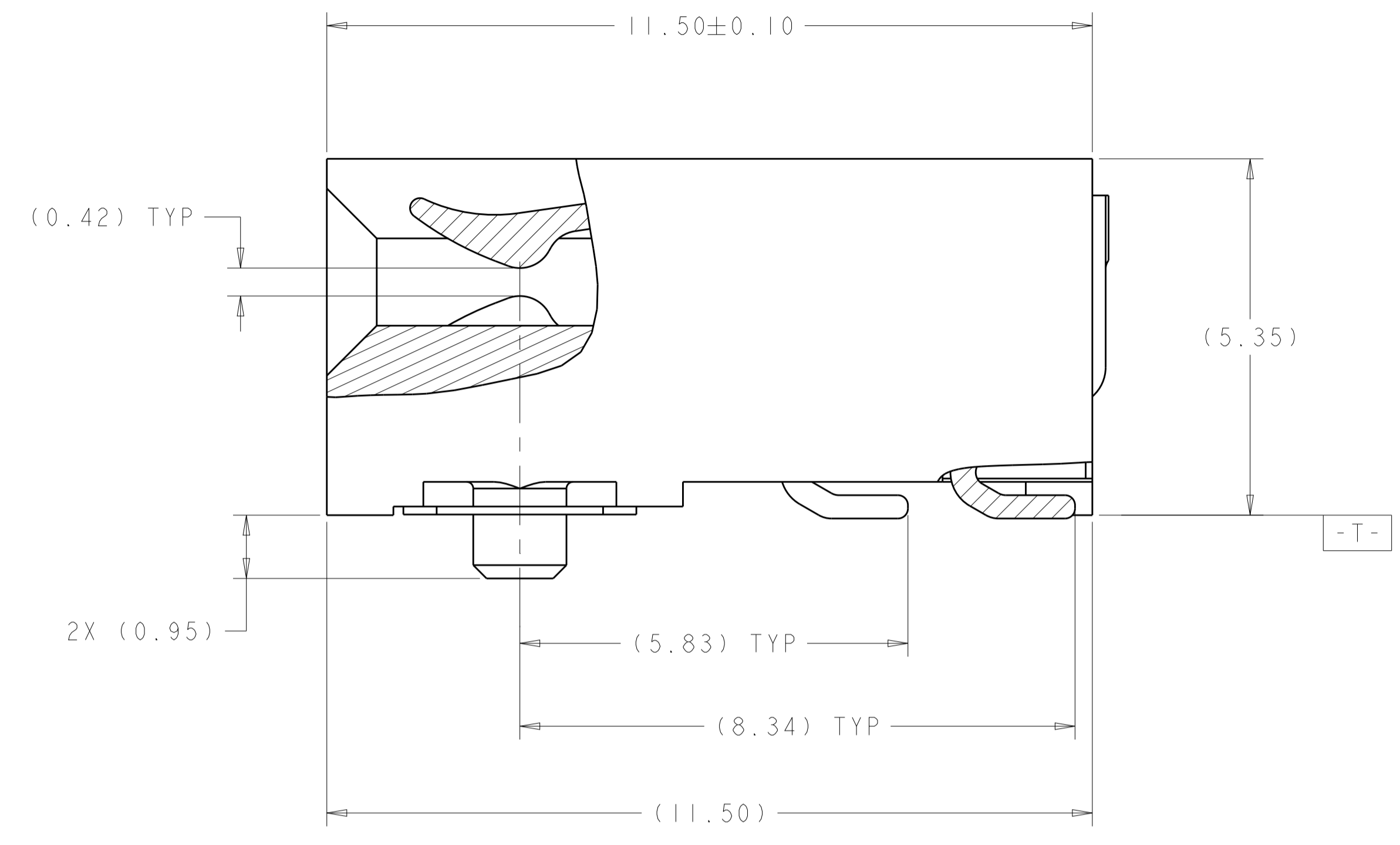
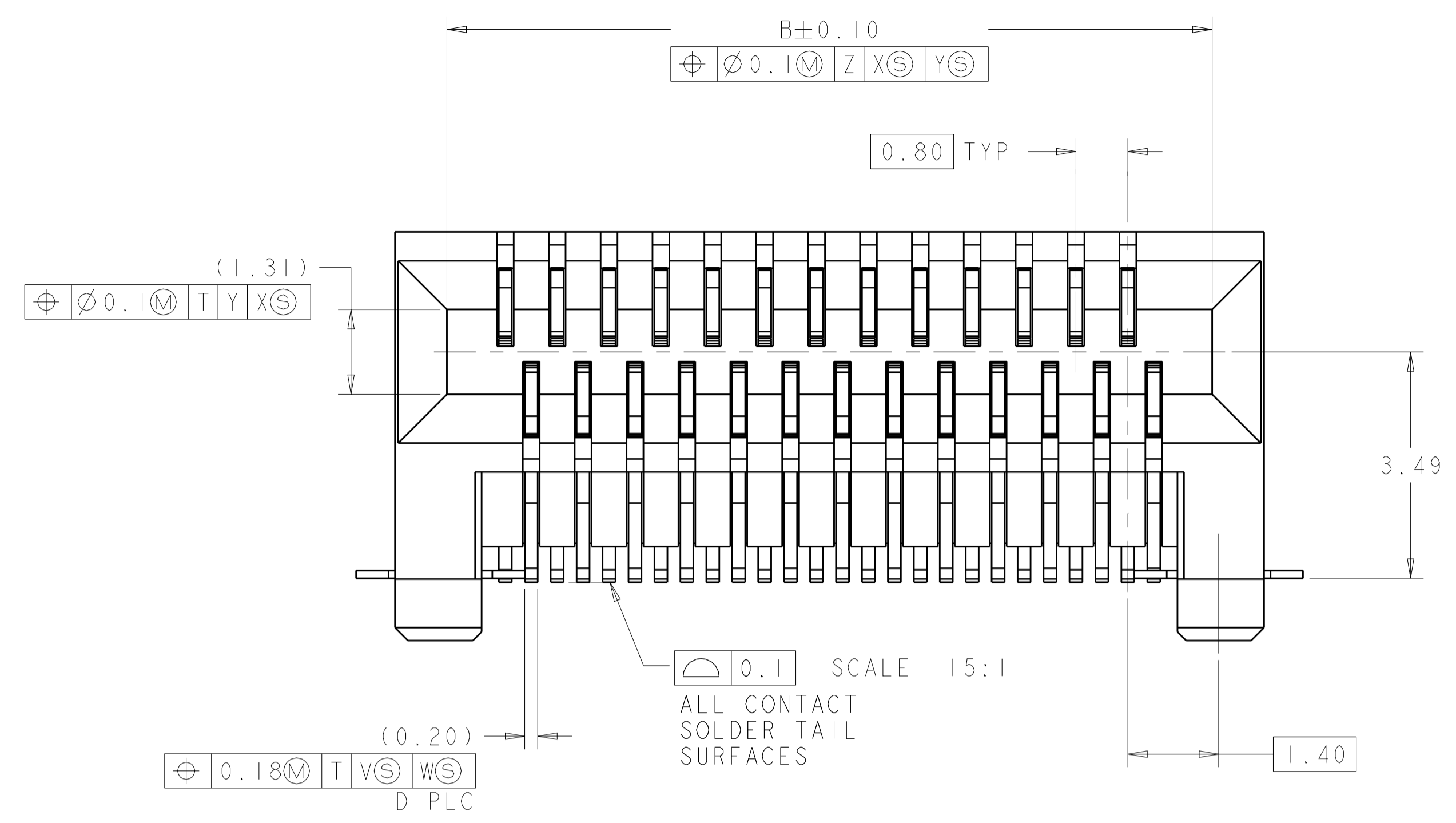
Tel: +86-755-8981 8866 Fax: +86-755-8427 6832

Email & Skype: info@chipsmall.com Web: www.chipsmall.com

Address: A1208, Overseas Decoration Building, #122 Zhenhua RD., Futian, Shenzhen, China



REVISIONS				
P.	LTN	DESCRIPTION	DATE	OWN APVD
A		RELEASED PER ECO-09-022463	23OCT2009	CR DG
A1		RELEASED PER ECR-14-000965	22JAN2014	RG MC
B		REVISED PER ECO-16-017056	22NOV2016	RG SH



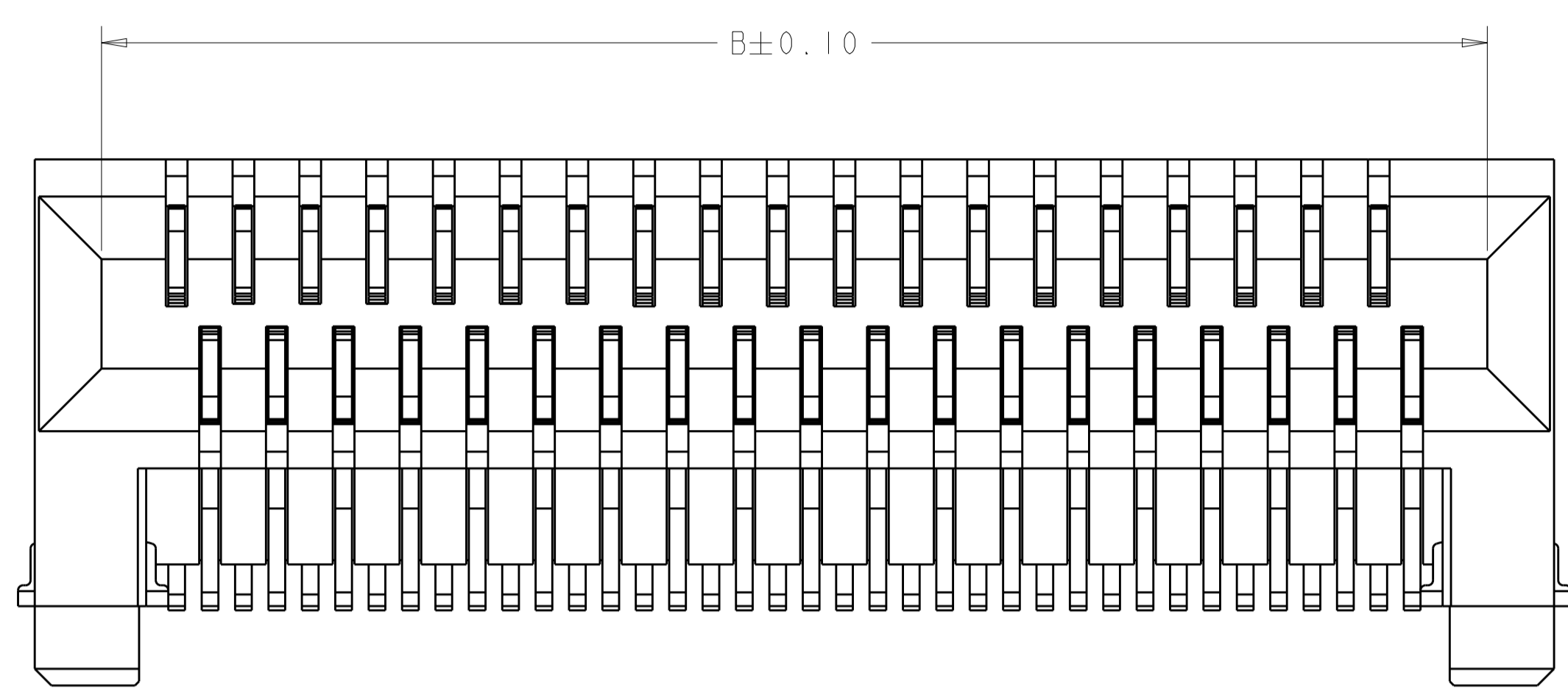
- 1 MATERIAL: LCP, BLACK.
- 2 MATERIAL: PHOSPHOR BRONZE PER ASTM B 103.
- 3 FINISH: $0.76 \mu\text{m}$ MIN GOLD PLATE PER ASTM B 488, APPLIES TO INTERFACE AREA AND $2.03 \mu\text{m}$ MIN TIN PLATE SOLDER TAILS, ALL OVER $3.81 \mu\text{m}$ MIN NICKEL PLATE PER QQ-N-290.
- 4 DATUM AND BASIC DIMENSION ESTABLISHED BY CUSTOMER.
- 5 FINISH: $0.38 \mu\text{m}$ MIN GOLD PLATE PER ASTM B 488, APPLIES TO INTERFACE AREA AND $2.03 \mu\text{m}$ MIN TIN PLATE SOLDER TAILS, ALL OVER $3.81 \mu\text{m}$ MIN NICKEL PLATE PER QQ-N-290.
- 6. TAPE AND REEL PACKAGED.
- 7 MATERIAL: NICKEL SILVER ALLOY. C77000.

FINISH	SIZE							PART NUMBER
	F	E	D	C	B	A	POSN	
5	68	28.8	68	14.8	28.6	30.2	68	1-2007570-5
	38	16.8	38	8.4	16.6	18.1	38	1-2007570-4
	54	23.2	54	11.6	23	24.6	54	1-2007570-3
	50	21.6	50	10.8	21.4	23	50	1-2007570-2
	36	16	36	8	15.8	17.4	36	1-2007570-1
3	26	12	26	6	11.8	13.4	26	1-2007570-0
	68	28.8	68	14.8	28.6	30.2	68	2007570-6
	38	16.8	38	8.4	16.6	18.1	38	2007570-5
	54	23.2	54	11.6	23	24.6	54	2007570-4
	50	21.6	50	10.8	21.4	23	50	2007570-3
	36	16	36	8	15.8	17.4	36	2007570-2
	26	12	26	6	11.8	13.4	26	2007570-1

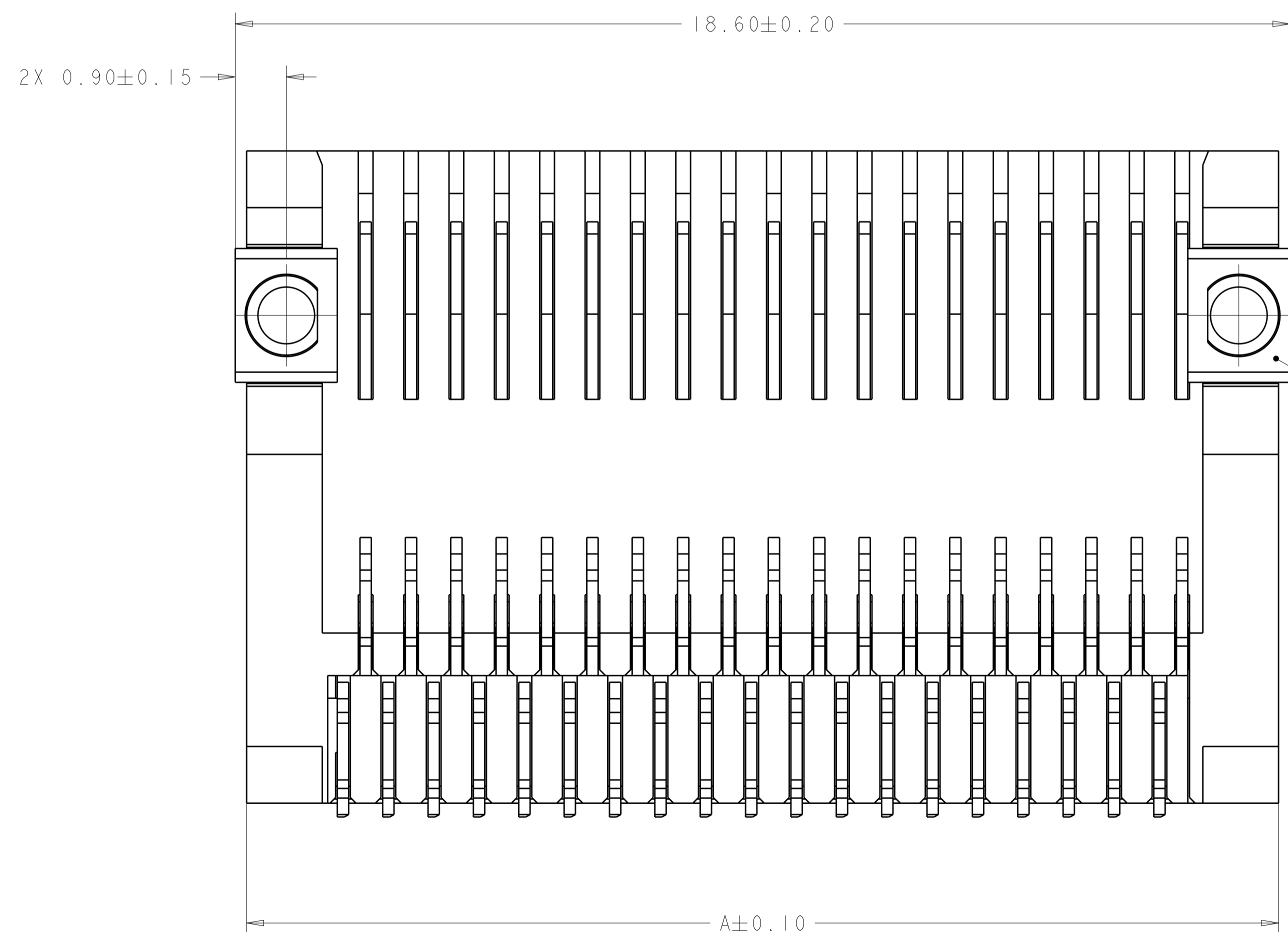
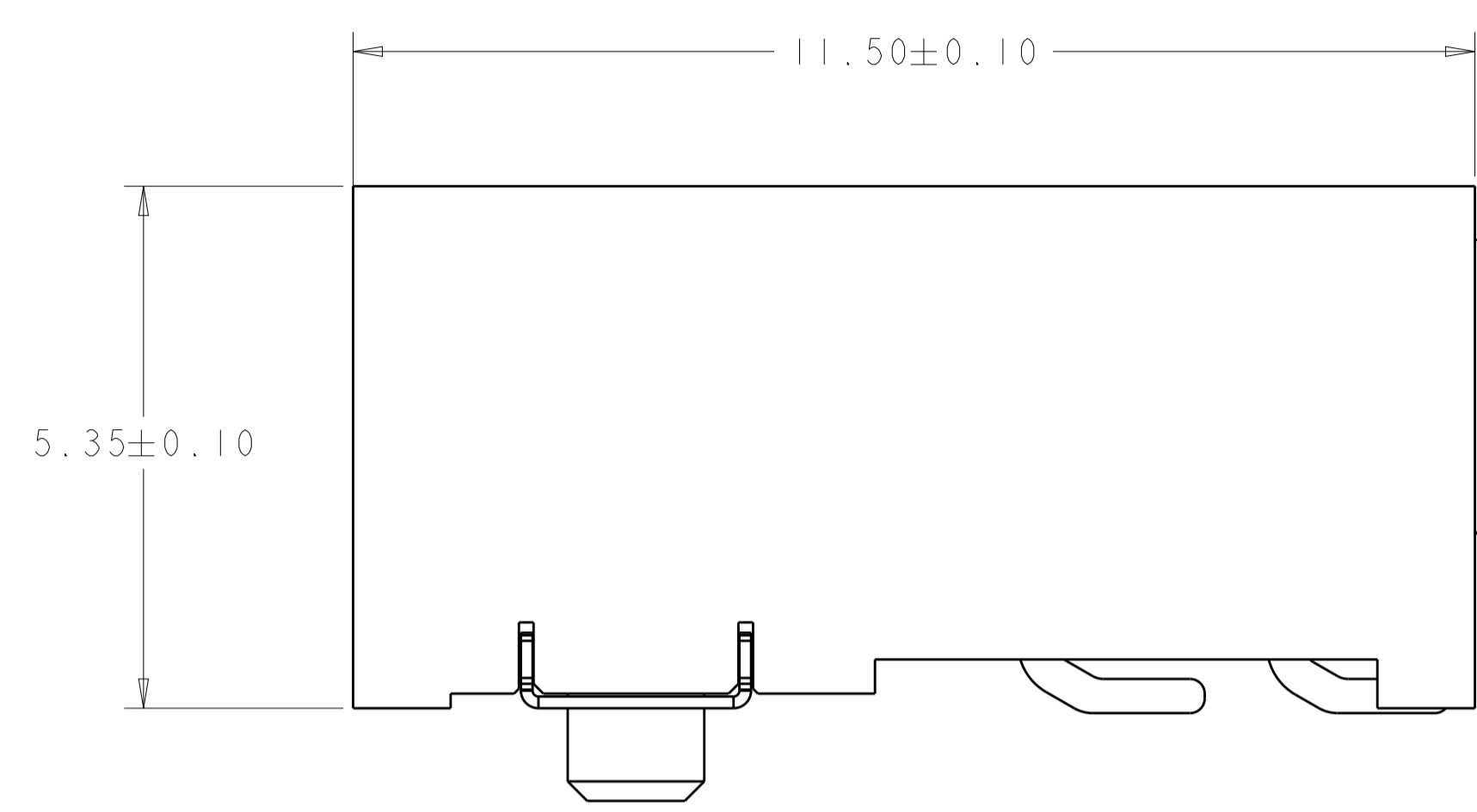
THIS DRAWING IS A CONTROLLED DOCUMENT. DIMENSIONS: mm. TOLERANCES UNLESS OTHERWISE SPECIFIED: 0 PLC ± 0.25 , 1 PLC ± 0.13 , 2 PLC ± 0.13 , 3 PLC ± 0.13 , 4 PLC ± 0.13 , 5 PLC ± 0.13 . ANGLES: $\pm 0.5^\circ$. FINISH: ± 0.13 .

APVD: J. POLIGNONE 17JAN08, E. BRIGHT 17JAN08, F. BRIGHT 17JAN08. NAME: EVERCLEAR Mini-SAS, CONNECTOR ASSEMBLY, RECEPTACLE, RIGHT ANGLE, SURFACE MOUNT. SIZE: A1. CAGE CODE: 00779. DRAWING NO: 2007570. WEIGHT: -. RESTRICTED TO: CUSTOMER DRAWING. SCALE: 15:1. SHEET: 1 OF 3. REV: B.

REVISIONS				
P.	LTN.	DESCRIPTION	DATE	APVD.
-	-	SEE SHEET 1	-	-



SCALE 15:1



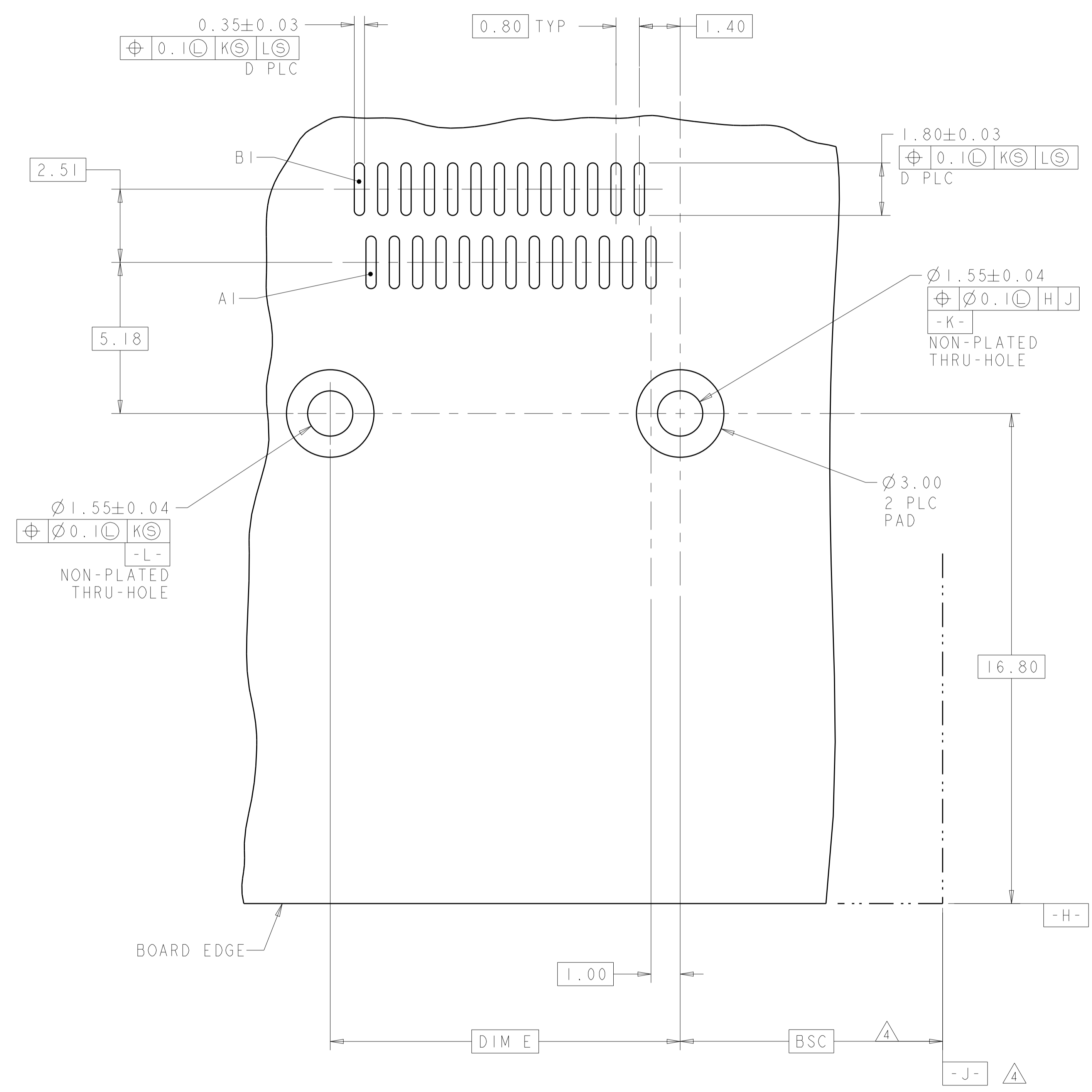
RETENTION WASHER

UN-SPECIFIED DIMENSION ALL REFER TO SHEET 1

5	38	16.8	38	8.4	16.6	18.1	38	1-2007570-6
3	38	16.8	38	8.4	16.6	18.1	38	2007570-7
FINISH	F	E	D	C	B	A	POSN	PART NUMBER

THIS DRAWING IS A CONTROLLED DOCUMENT.		DWN J. POLIGNONE 17JAN08	TE Connectivity NAME EVERCLEAR Mini-SAS, CONNECTOR ASSEMBLY, RECEPTACLE, RIGHT ANGLE, SURFACE MOUNT SIZE A100779C=2007570 RESTRICTED TO -
DIMENSIONS:		CHK E. BRIGHT 17JAN08	
TOLERANCES UNLESS OTHERWISE SPECIFIED:		APVD E. BRIGHT 17JAN08	
mm		PRODUCT SPEC	
0 PLC	±	APPLICATION SPEC	WEIGHT
1 PLC	±0.25	WEIGHT	-
2 PLC	±0.13	WEIGHT	-
3 PLC	±	WEIGHT	-
4 PLC	±	WEIGHT	-
ANGLES	±	WEIGHT	-
FINISH	±	WEIGHT	-
MATERIAL	TBD	WEIGHT	-
CUSTOMER DRAWING		SCALE 15:1	SHEET 2 OF 3

REVISIONS				
P.	LTN	DESCRIPTION	DATE	APVD
-	-	SEE SHEET 1	-	-



RECOMMEND PCB LAYOUT
 SCALE 10:1

THIS DRAWING IS A CONTROLLED DOCUMENT.		DWN J. POLIGNONE 17JAN08 CHK E. BRIGHT 17JAN08 APVD E. BRIGHT 17JAN08	TE Connectivity
DIMENSIONS: mm 	TOLERANCES UNLESS OTHERWISE SPECIFIED: 0 PLC ± 1 PLC ±0.25 2 PLC ±0.13 3 PLC ± 4 PLC ± ANGLES ±	NAME EVERCLEAR Mini-SAS, CONNECTOR ASSEMBLY, RECEPTACLE, RIGHT ANGLE, SURFACE MOUNT PRODUCT SPEC APPLICATION SPEC WEIGHT CUSTOMER DRAWING	
MATERIAL TBD	FINISH	SIZE A100779 CAGE CODE C=2007570 DRAWING NO.	RESTRICTED TO SCALE 10:1 SHEET 3 OF 3 REV B