



Chipsmall Limited consists of a professional team with an average of over 10 year of expertise in the distribution of electronic components. Based in Hongkong, we have already established firm and mutual-benefit business relationships with customers from,Europe,America and south Asia,supplying obsolete and hard-to-find components to meet their specific needs.

With the principle of “Quality Parts,Customers Priority,Honest Operation,and Considerate Service”,our business mainly focus on the distribution of electronic components. Line cards we deal with include Microchip,ALPS,ROHM,Xilinx,Pulse,ON,Everlight and Freescale. Main products comprise IC,Modules,Potentiometer,IC Socket,Relay,Connector.Our parts cover such applications as commercial,industrial, and automotives areas.

We are looking forward to setting up business relationship with you and hope to provide you with the best service and solution. Let us make a better world for our industry!



Contact us

Tel: +86-755-8981 8866 Fax: +86-755-8427 6832

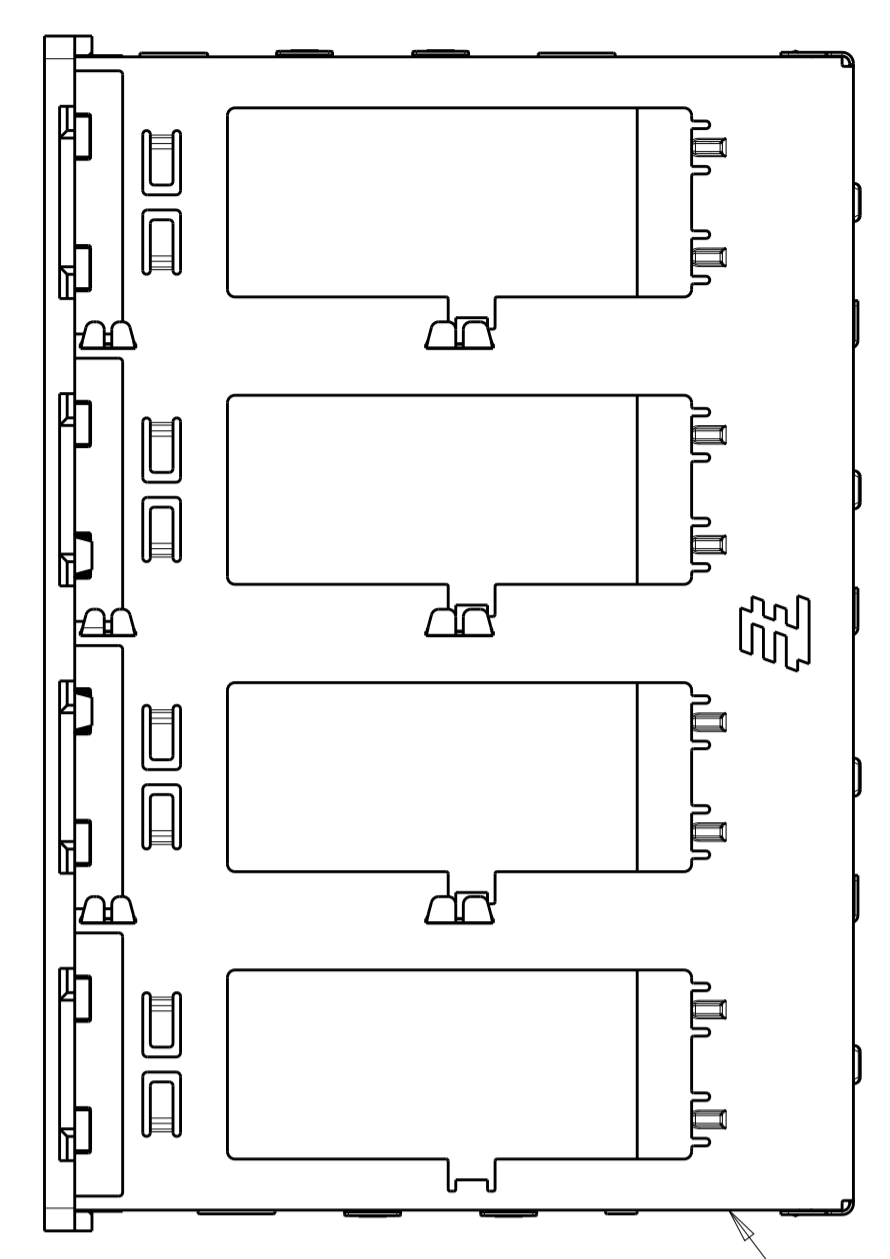
Email & Skype: info@chipsmall.com Web: www.chipsmall.com

Address: A1208, Overseas Decoration Building, #122 Zhenhua RD., Futian, Shenzhen, China

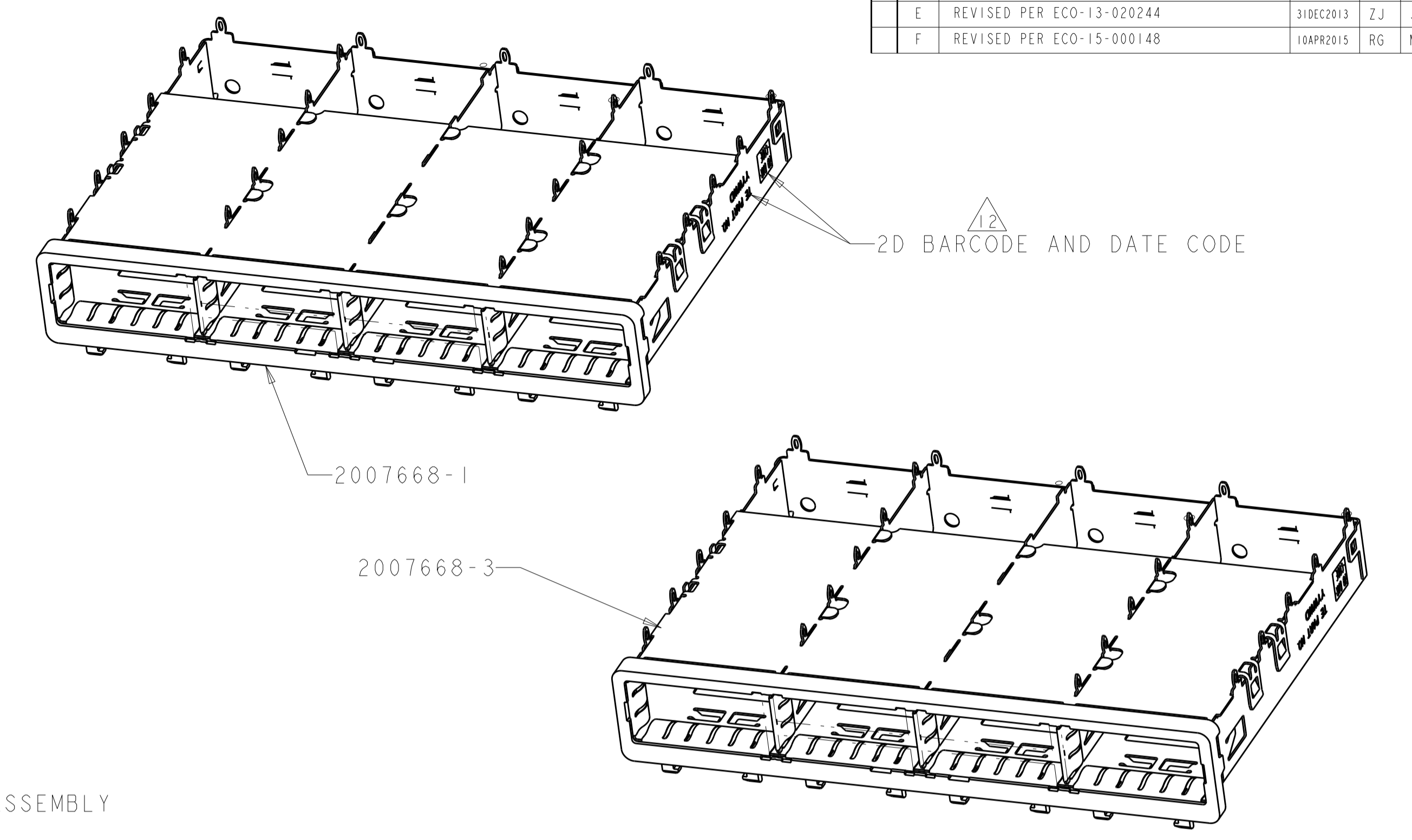


LOC	DIST	REVISIONS			
P	LTN	DESCRIPTION	DATE	DMN	APVD
C		REVISED PER ECO-10-018045	03NOV2010	CJV	EJB
D		REVISED PER ECO-12-003841	15MAR2012	TY	KS
E		REVISED PER ECO-13-020244	31DEC2013	ZJ	JY
F		REVISED PER ECO-15-000148	10APR2015	RG	MC

- 1 SURFACE TRACES PERMITTED WITHIN THIS AREA EXCEPT WHERE CAGE STANDOFFS, SHOWN IN DETAIL S, CONTACT PC BOARD.
- 2 PITCH BETWEEN PORTS OF ONE 1X4 CAGE.
- 3 SPACING BETWEEN CAGES ON THE SAME PC BOARD. TO BE SPECIFIED BY CUSTOMER, MUST COMPLY WITH MINIMUM DIMENSIONS SHOWN.
- 4 REFERENCE APPLICATION SPEC 114-13218 FOR RECOMMENDED DRILL HOLE DIAMETER AND PLATING THICKNESS.
- 5 UNPLATED THRU HOLE.
- 6 DATUM AND BASIC DIMENSION ESTABLISHED BY CUSTOMER.
- 7 DATUM -A- IS TOP SURFACE OF THE HOST BOARD.
- 8 DIMENSION C IS THE NOMINAL THICKNESS OF CUSTOMER SUPPLIED PC BOARD. MINIMUM PC BOARD THICKNESS:
 SINGLE SIDED: 1.45mm
 DOUBLE SIDED: 2.2mm PER QSFP
- 9. MATES WITH QSFP MSA COMPATIBLE TRANSCEIVER.
- 10 BASELINE FOR THE DIMENSION IS CENTER OF COMPLIANT PIN HOLE.
- 11 LED ON HOST BOARD. QUANTITY, POSITION, AND GEOMETRY DEPENDS ON CHOICE OF LIGHT PIPES.
- 12 2D BARCODE AND DATE CODE (YYWWD) MARKED APPROXIMATELY AS SHOWN.
- 13 REFERENCE APP SPEC 114-13218 FOR GASKET THICKNESS CALCULATION.
- 14 MATERIAL:
 CAGE ASSEMBLY: NICKEL SILVER, 0.25 THICK
 EMI SPRINGS: COPPER ALLOY
 FRONT FLANGE: ZINC ALLOY.
- 15 FINISH:
 EMI SPRINGS: 2µm MINIMUM TIN
 FRONT FLANGE: 3µm MINIMUM TIN OVER 1.27µm MINIMUM NICKEL OVER 5.08µm MINIMUM COPPER.
- 16 HOLES ARE OPTIONAL WHEN PINS ON CENTRAL DIVIDER ARE REMOVED.



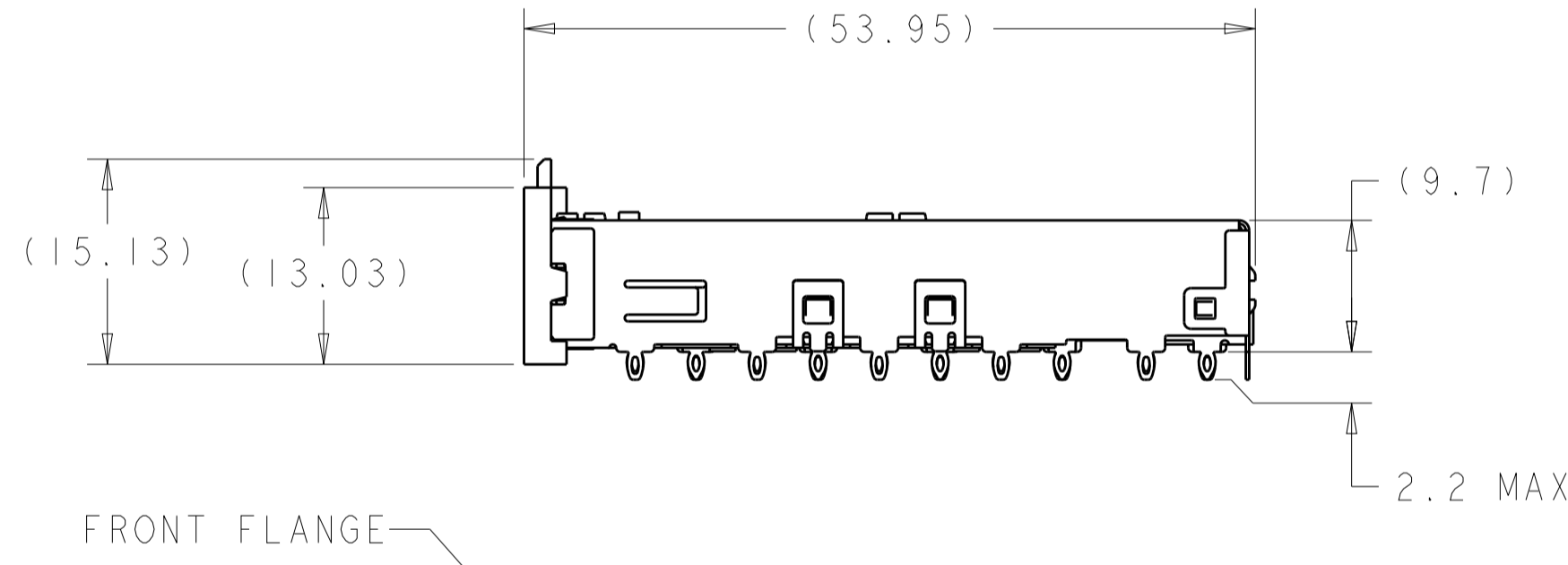
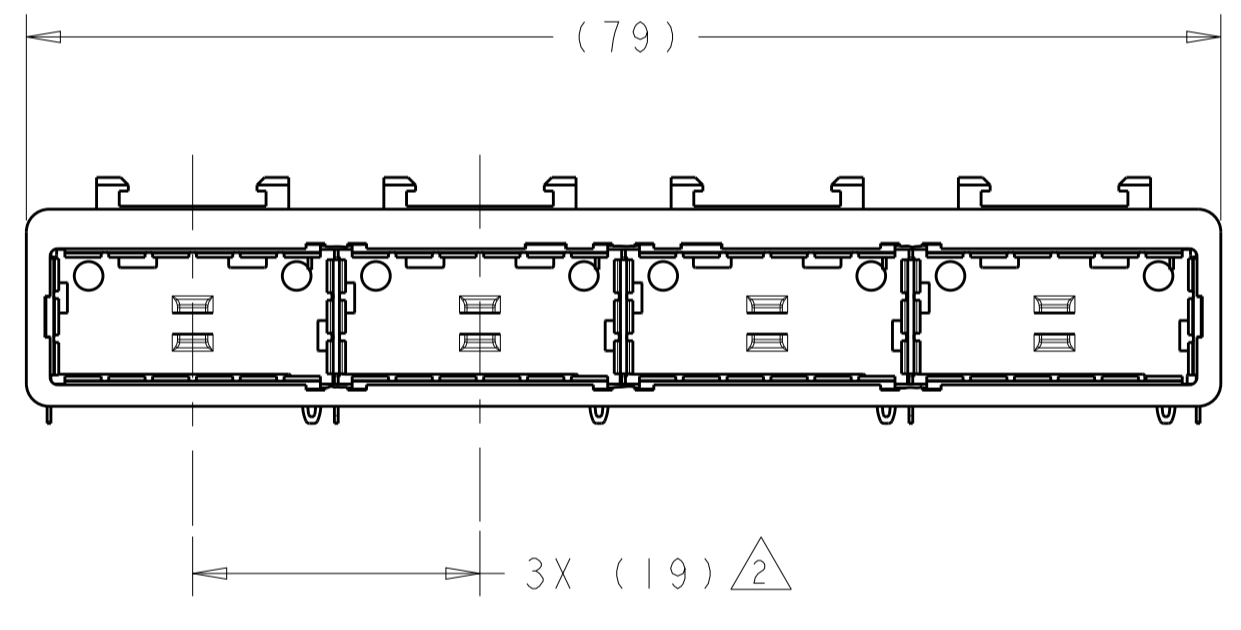
EMI SPRINGS CAGE ASSEMBLY



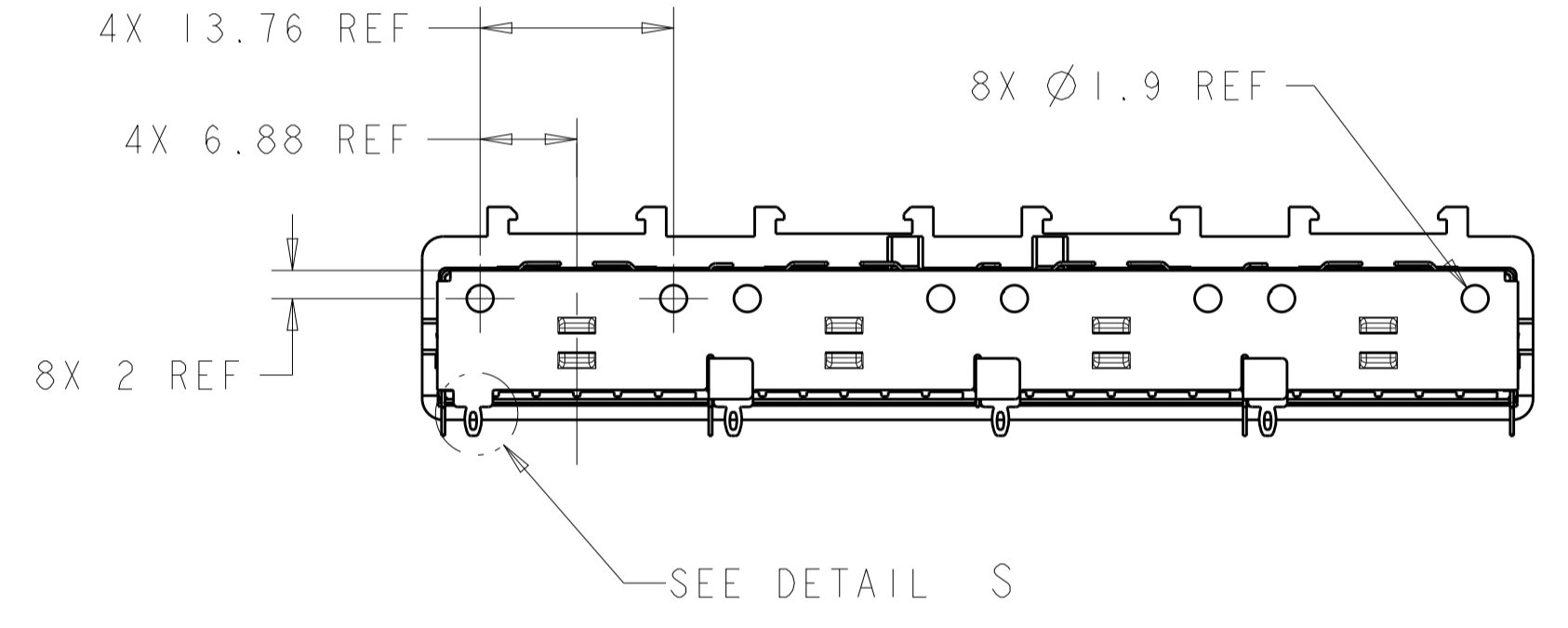
2D BARCODE AND DATE CODE

2007668-1

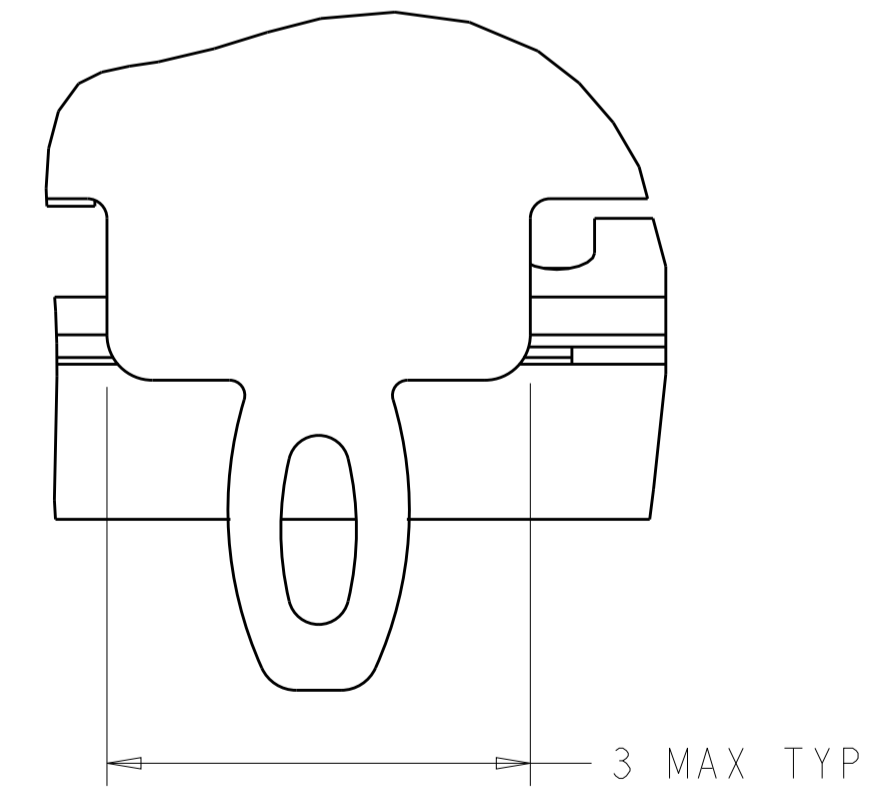
2007668-3



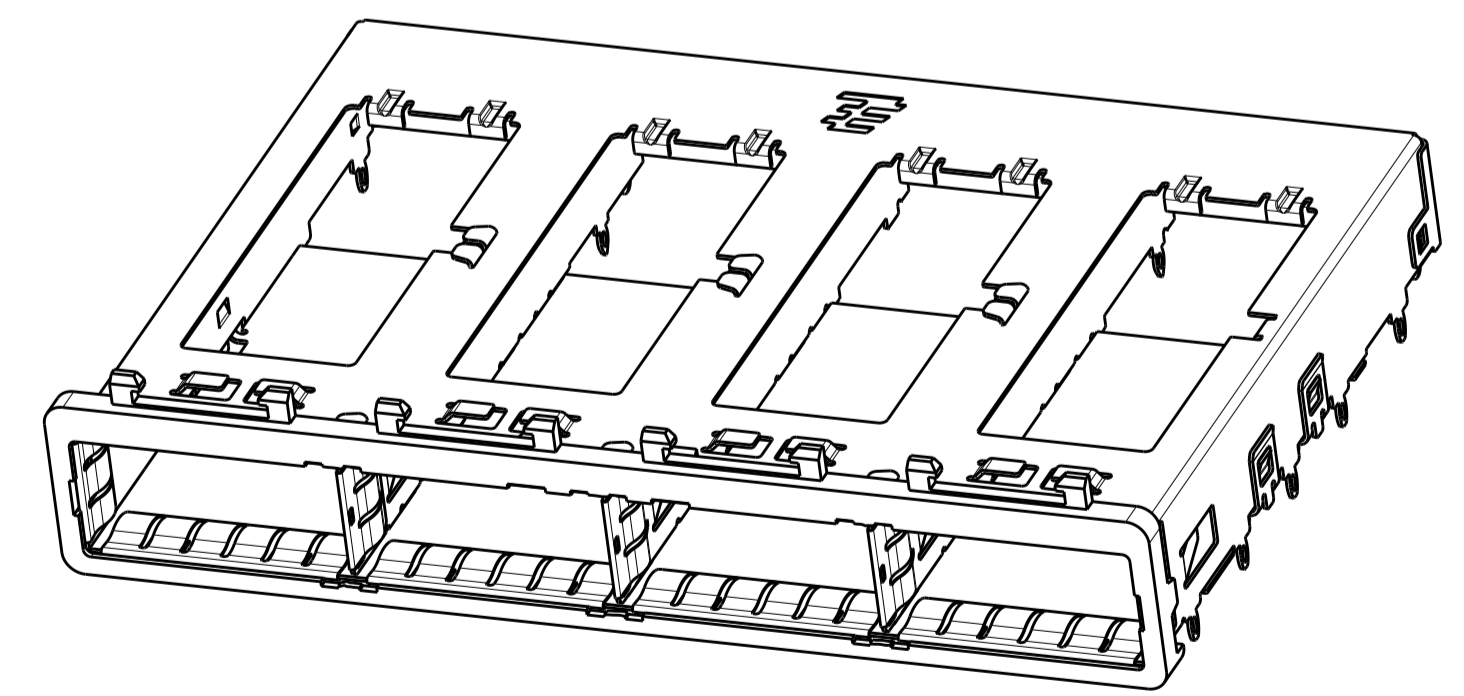
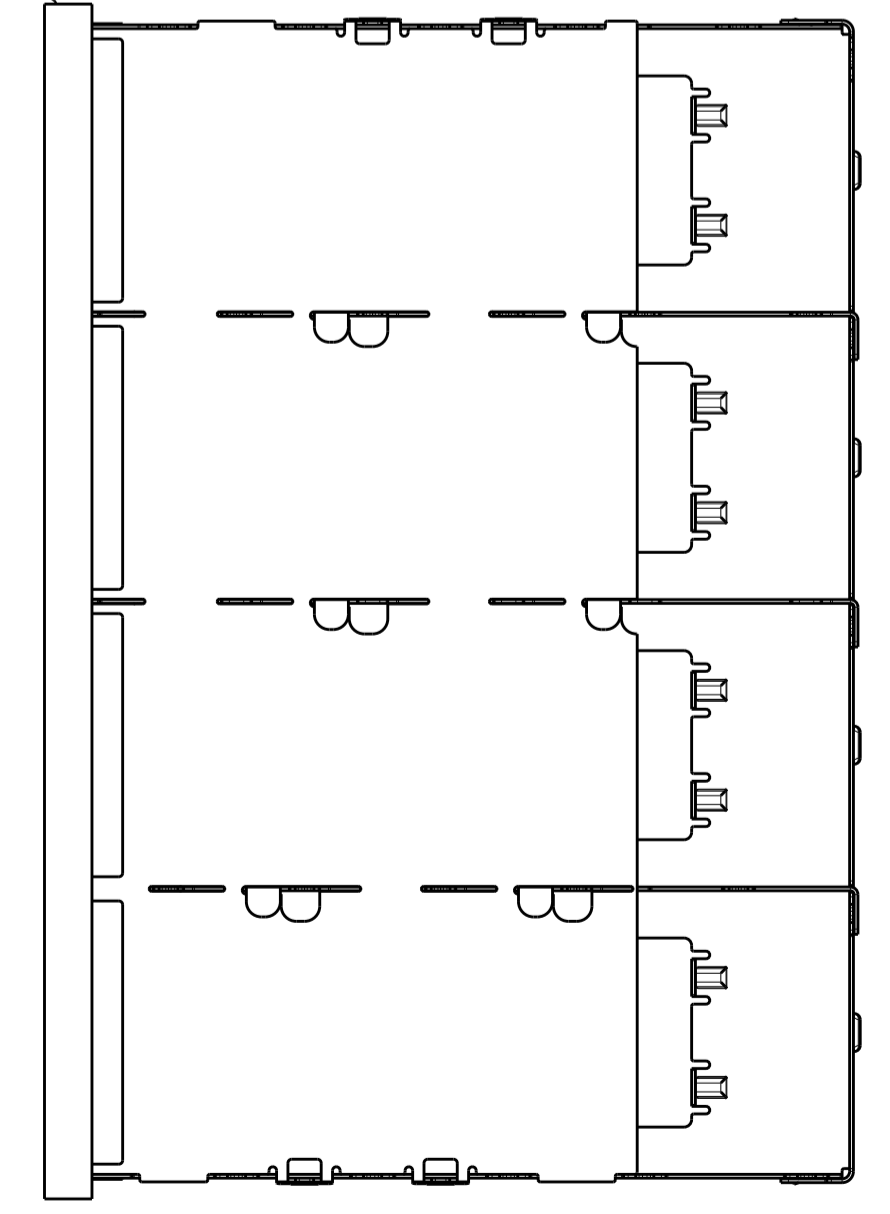
FRONT FLANGE



SEE DETAIL S



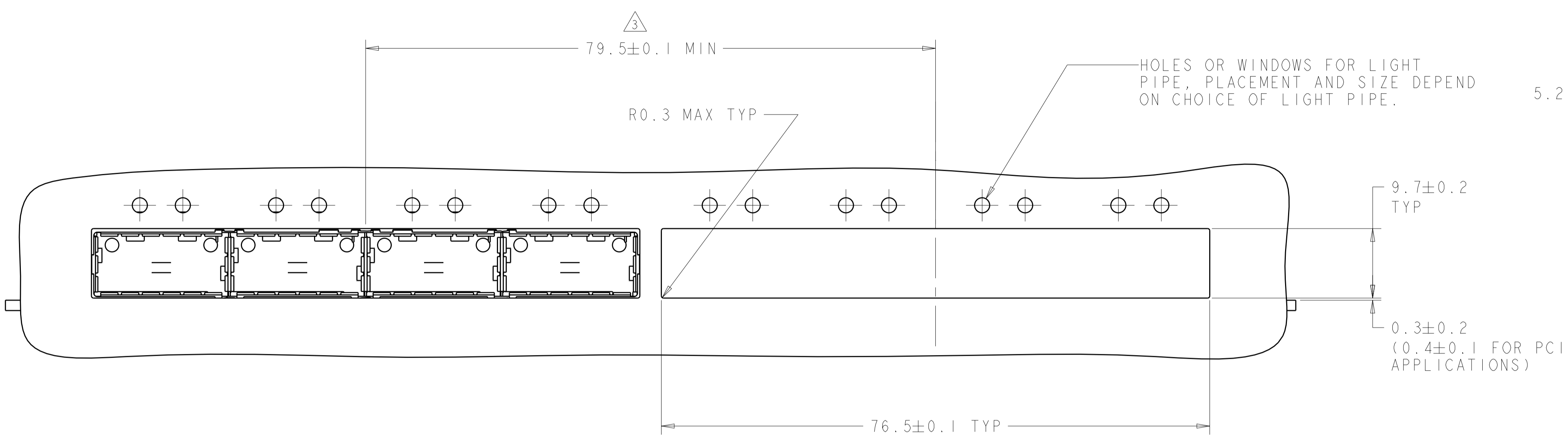
DETAIL S SCALE 20:1



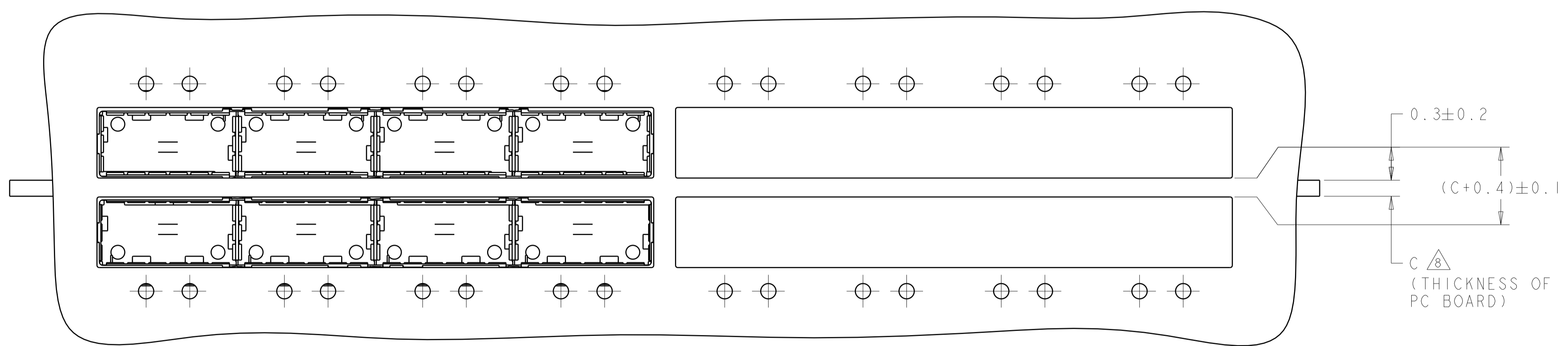
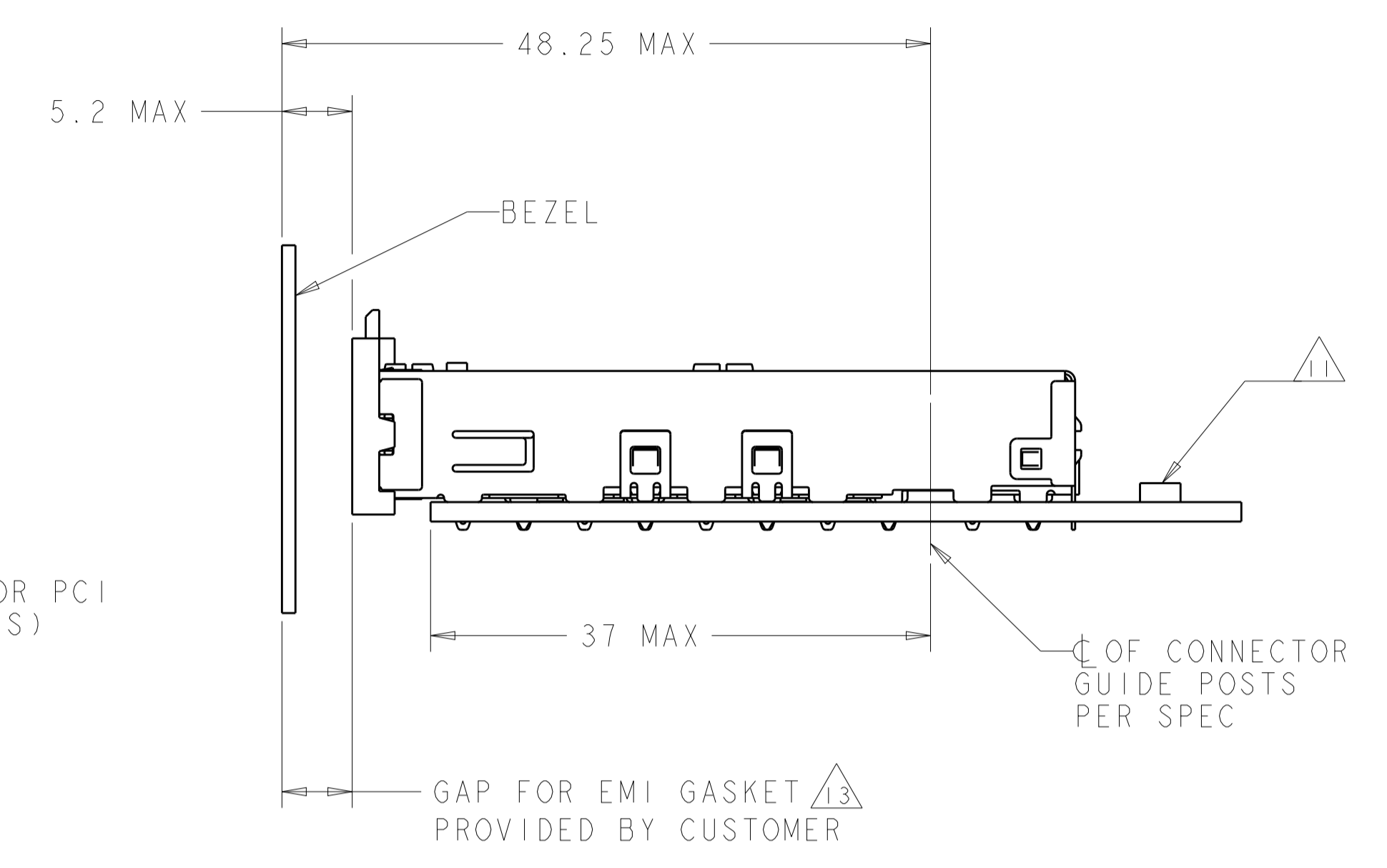
2007668-3
2007668-1
PART NUMBER

THIS DRAWING IS A CONTROLLED DOCUMENT.		DMN C. VALENTINE 17APR2008	TE Connectivity
DIMENSIONS: mm		CHK E. BRIGHT 17APR2008	
TOLERANCES UNLESS OTHERWISE SPECIFIED:		APVD E. BRIGHT 17APR2008	NAME 1X4 CAGE ASSEMBLY, BEHIND BEZEL, W/ LIGHT PIPE BRACKET, QSFP PRODUCT SPEC 108-2286 APPLICATION SPEC 114-13218
0 PLC ±	1 PLC ±0.1	SIZE CAGE CODE DRAWING NO	
2 PLC ±0.1	3 PLC ±0.013	WEIGHT	
4 PLC ±0.0001	ANGLES ±	A100779C=2007668	
MATERIAL	FINISH	CUSTOMER DRAWING	SCALE 2:1 SHEET 1 OF 4 REV F

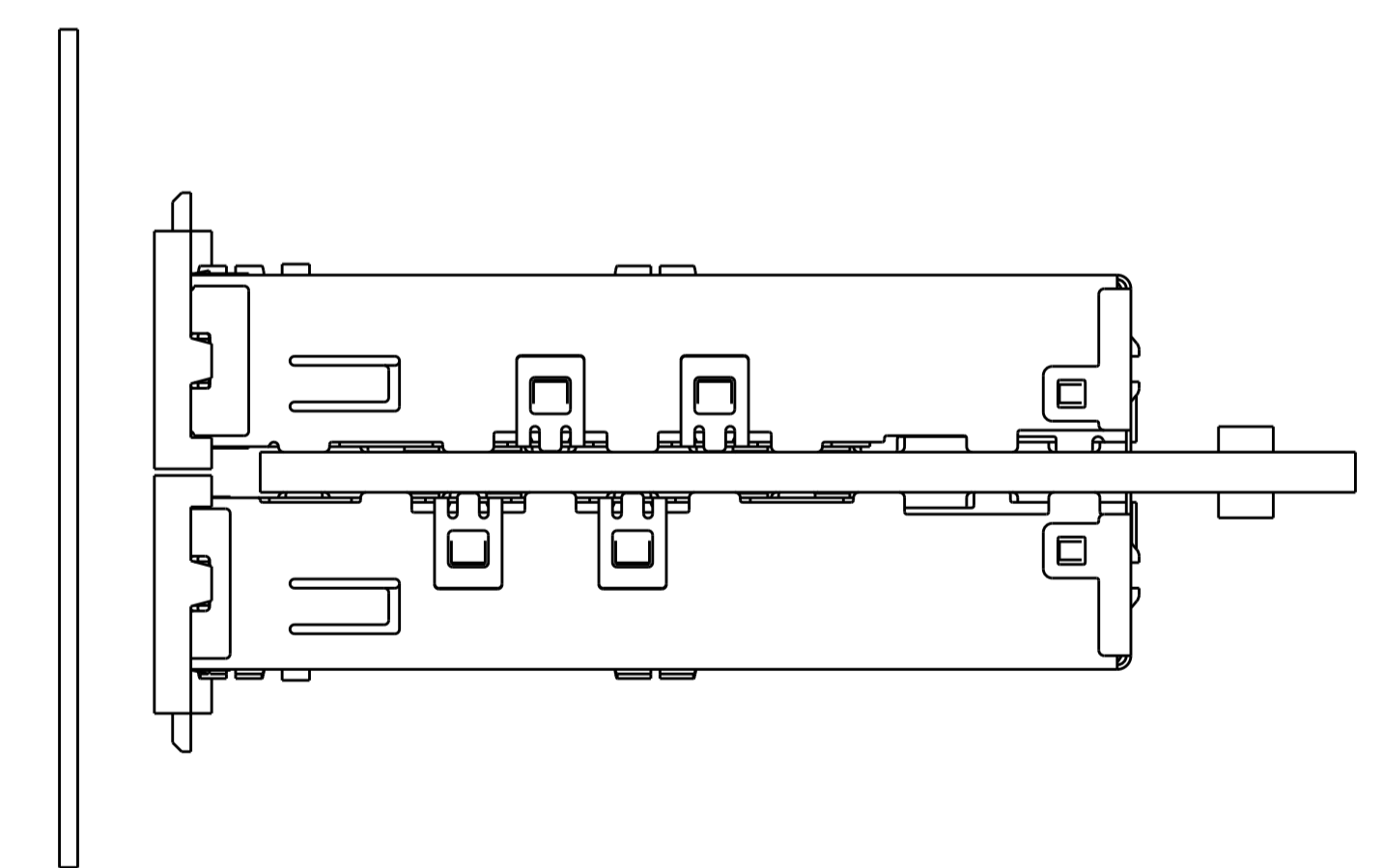
LOC	DIST	REV	DATE	BY	APPD
GP	00				



ONE SIDED CONFIGURATION
SCALE 5:2

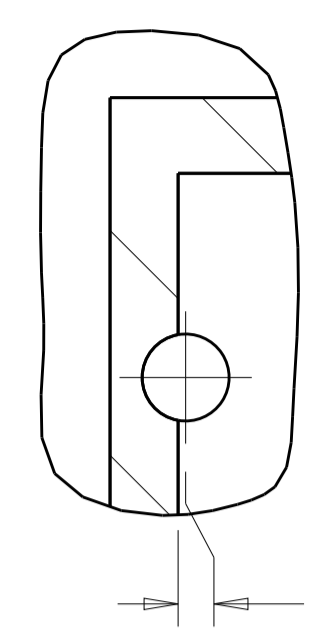
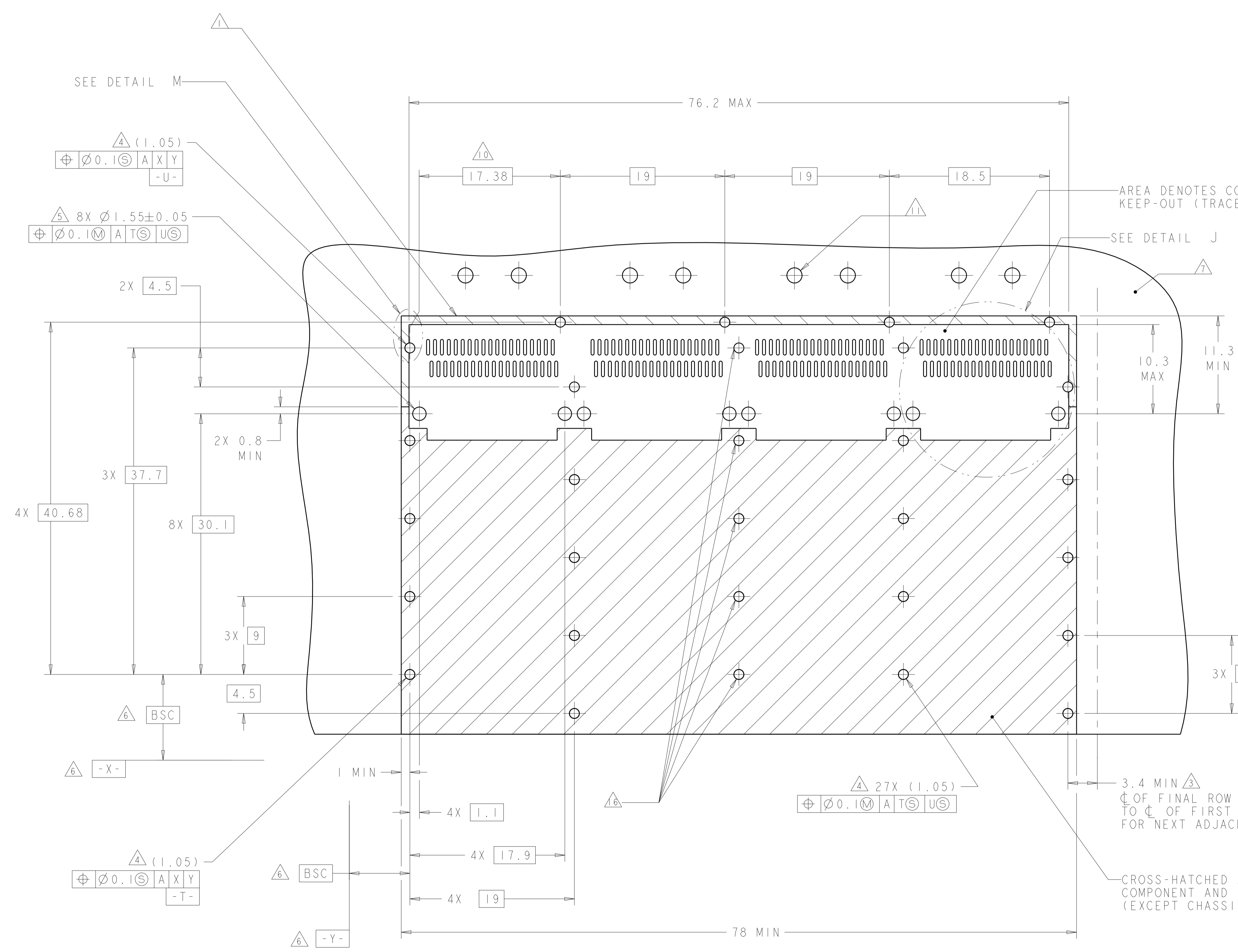


BELLY TO BELLY CONFIGURATION SIMILAR
TO ONE SIDED EXCEPT WHERE NOTED
SCALE 5:2

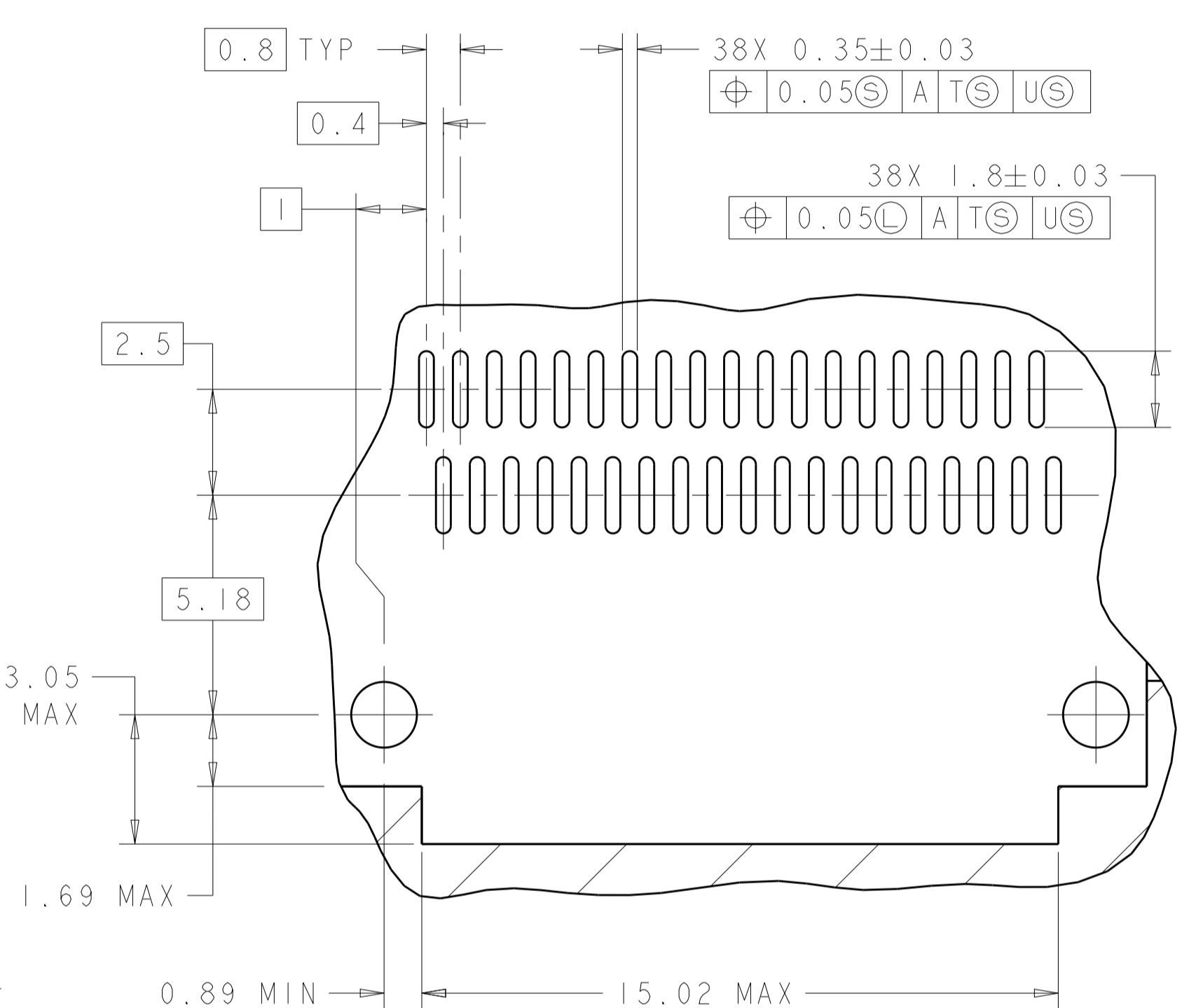


THIS DRAWING IS A CONTROLLED DOCUMENT.		OWN: C. VALENTINE 17APR2008	
DIMENSIONS: mm		CHK: E. BRIGHT 17APR2008	
TOLERANCES UNLESS OTHERWISE SPECIFIED:		APVD: F. BRIGHT 17APR2008	NAME: 1X4 CAGE ASSEMBLY, BEHIND BEZEL, W/ LIGHT PIPE BRACKET, QSFP PRODUCT SPEC: 108-2286 APPLICATION SPEC: 114-13218
0 PLC ± 1 PLC ±0.1 2 PLC ±0.1 3 PLC ±0.013 4 PLC ±0.0001 ANGLES ±		WEIGHT: - FINISH: -	
MATERIAL: -		CUSTOMER DRAWING	SIZE: A1 CAGE CODE: 00779 DRAWING NO: C=2007668 RESTRICTED TO: - SCALE: 2:1 SHEET 2 OF 4 REV F

LOC	DIST	REVISIONS					
GP	00	P	LTN	DESCRIPTION	DATE	DWN	APVD
-	-	-	-	SEE SHEET 1	-	-	-



DETAIL M
SCALE 10:1



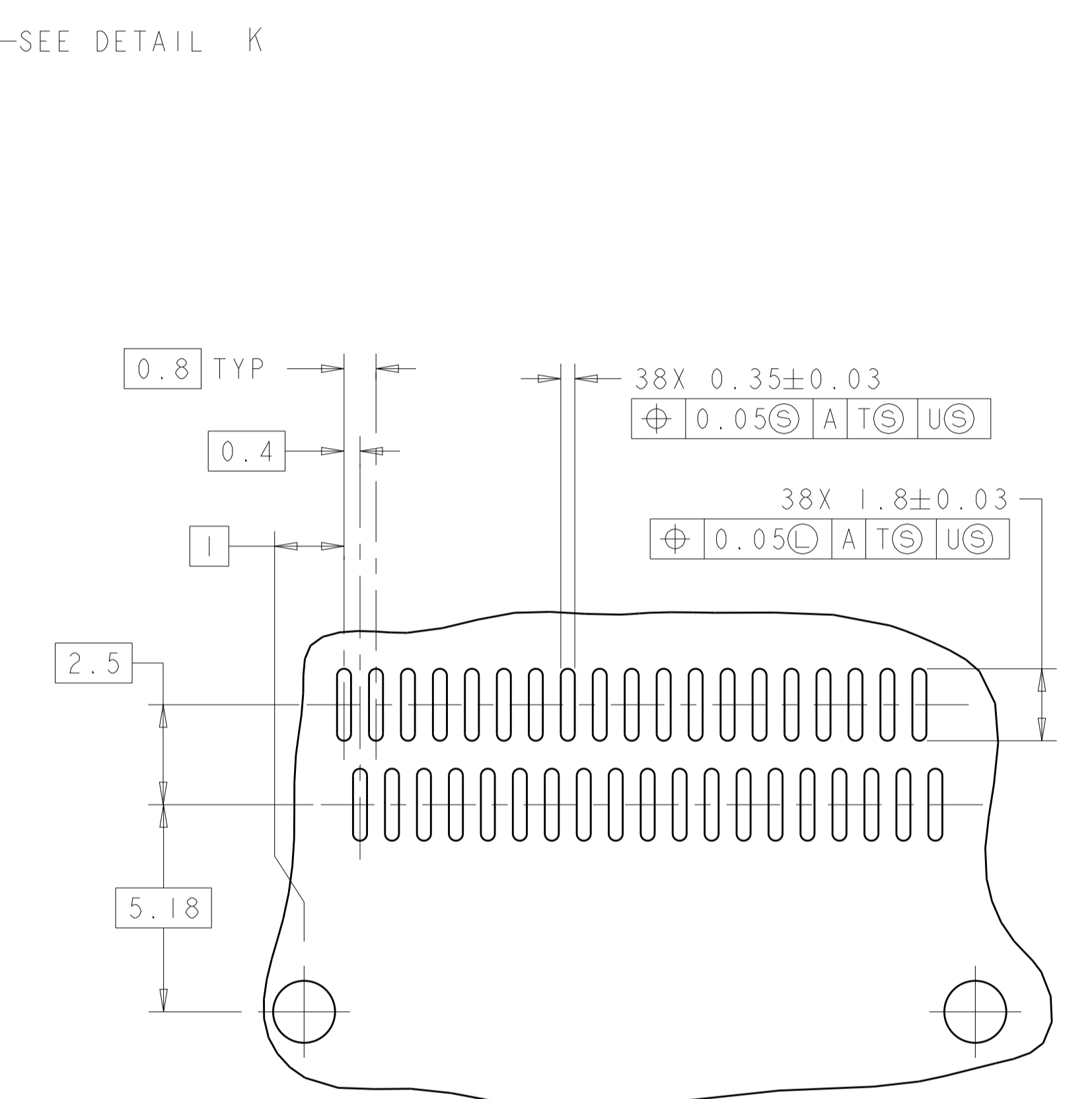
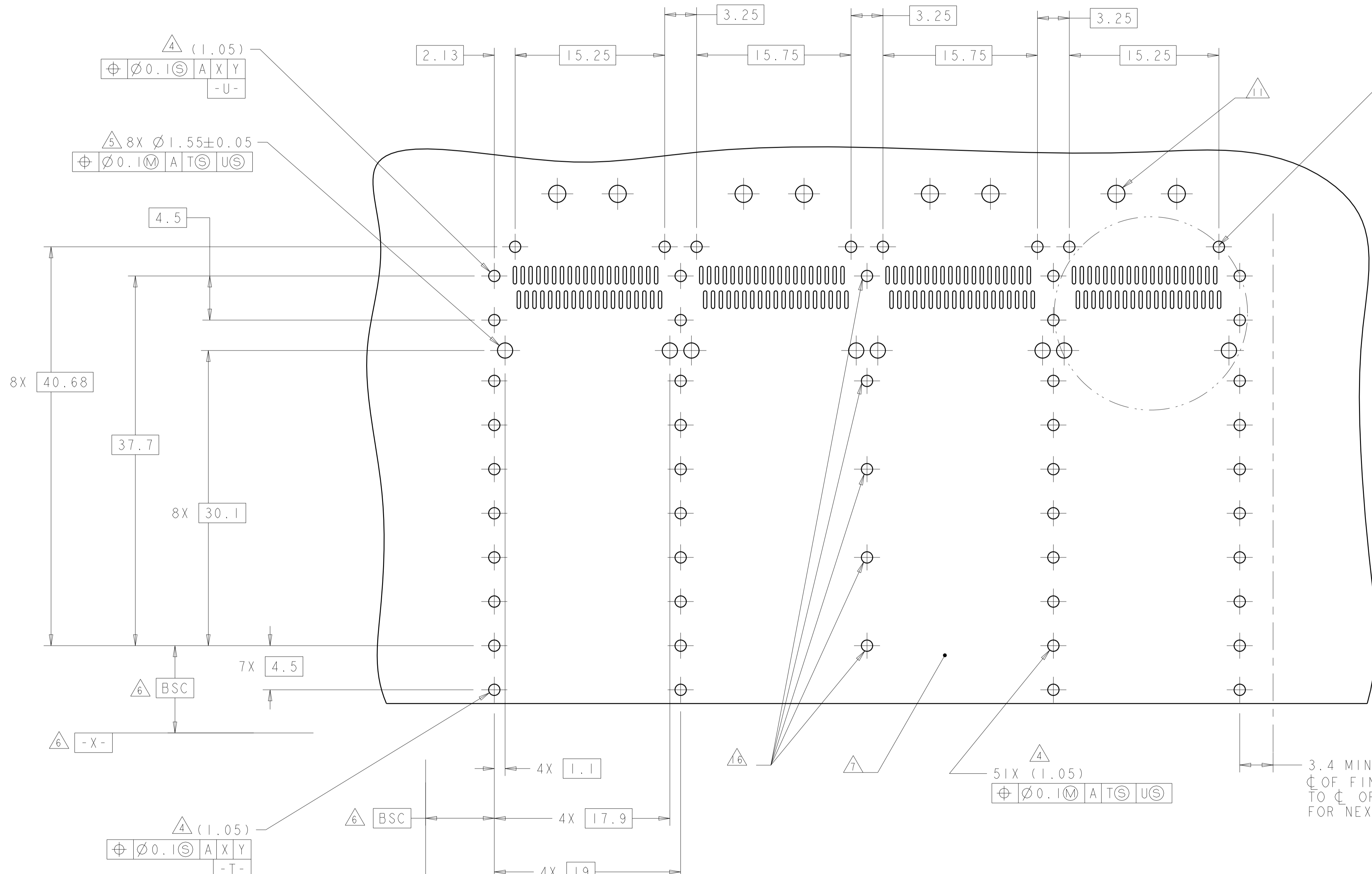
DETAIL J
4 PLACES
SCALE 8:1

RECOMMENDED PC BOARD LAYOUT
SINGLE SIDE MOUNT CONFIGURATION
SCALE 4:1

THIS DRAWING IS A CONTROLLED DOCUMENT.		DWN C. VALENTINE 17APR2008	TE Connectivity NAME 1X4 CAGE ASSEMBLY, BEHIND BEZEL, W/ LIGHT PIPE BRACKET, QSFP
DIMENSIONS: mm		CHK E. BRIGHT 17APR2008	
TOLERANCES UNLESS OTHERWISE SPECIFIED:		APVD E. BRIGHT 17APR2008	PRODUCT SPEC 108-2286
0 PLC ± 1 PLC ±0.1 2 PLC ±0.1 3 PLC ±0.013 4 PLC ±0.0001 ANGLES ±0.0001		APPLICATION SPEC 114-13218	RESTRICTED TO
MATERIAL	FINISH	WEIGHT	SIZE CAGE CODE DRAWING NO A100779C=2007668
CUSTOMER DRAWING		SCALE 2:1	SHEET 3 OF 4 REV F

LOC	DIST	REV	DATE	BY	APPV
GP	00				

REVISIONS					
REV	DATE	BY	APPV	DESCRIPTION	DATE
-	-	-	-	SEE SHEET 1	-



RECOMMENDED PC BOARD LAYOUT
 BELLY TO BELLY CONFIGURATION
 SEE SHEET 3 FOR COMPONENT AND TRACE KEEP-OUTS
 SCALE 4:1

THIS DRAWING IS A CONTROLLED DOCUMENT.		OWN: C. VALENTINE 17APR2008	TE Connectivity
DIMENSIONS: mm		CHK: E. BRIGHT 17APR2008	
TOLERANCES UNLESS OTHERWISE SPECIFIED:		APVD: F. BRIGHT 17APR2008	NAME: 1X4 CAGE ASSEMBLY, BEHIND BEZEL, W/ LIGHT PIPE BRACKET, QSFP PRODUCT SPEC: 108-2286 APPLICATION SPEC: 114-13218
0 PLC ± 1 PLC ±0.1 2 PLC ±0.1 3 PLC ±0.013 4 PLC ±0.0001 ANGLES ±		SIZE: CAGE CODE DRAWING NO: WEIGHT: A100779C=2007668	
MATERIAL: FINISH:		CUSTOMER DRAWING	RESTRICTED TO: SCALE 2:1 SHEET 4 OF 4 REV F