



Chipsmall Limited consists of a professional team with an average of over 10 year of expertise in the distribution of electronic components. Based in Hongkong, we have already established firm and mutual-benefit business relationships with customers from,Europe,America and south Asia,supplying obsolete and hard-to-find components to meet their specific needs.

With the principle of “Quality Parts,Customers Priority,Honest Operation,and Considerate Service”,our business mainly focus on the distribution of electronic components. Line cards we deal with include Microchip,ALPS,ROHM,Xilinx,Pulse,ON,Everlight and Freescale. Main products comprise IC,Modules,Potentiometer,IC Socket,Relay,Connector.Our parts cover such applications as commercial,industrial, and automotives areas.

We are looking forward to setting up business relationship with you and hope to provide you with the best service and solution. Let us make a better world for our industry!



Contact us

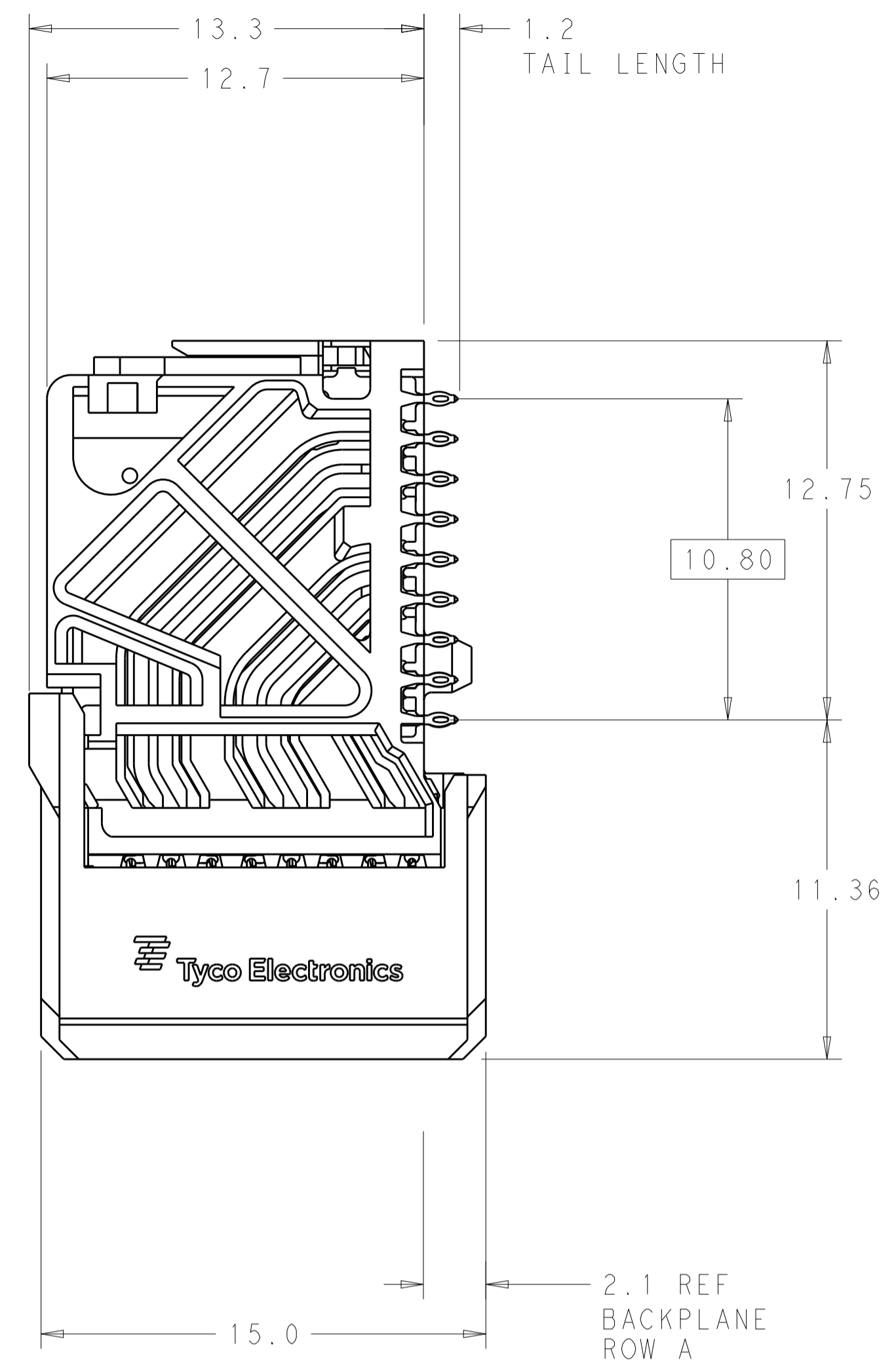
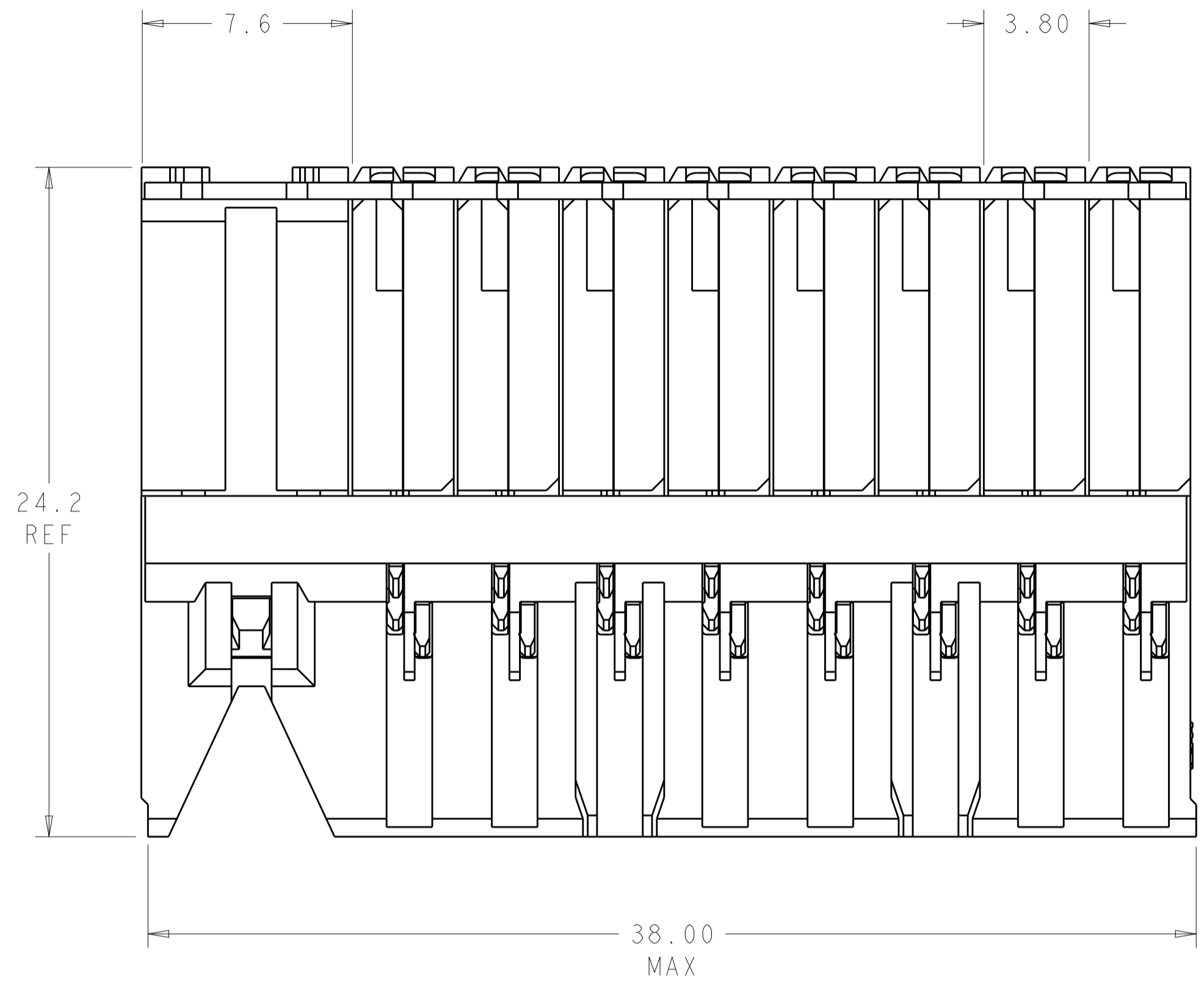
Tel: +86-755-8981 8866 Fax: +86-755-8427 6832

Email & Skype: info@chipsmall.com Web: www.chipsmall.com

Address: A1208, Overseas Decoration Building, #122 Zhenhua RD., Futian, Shenzhen, China



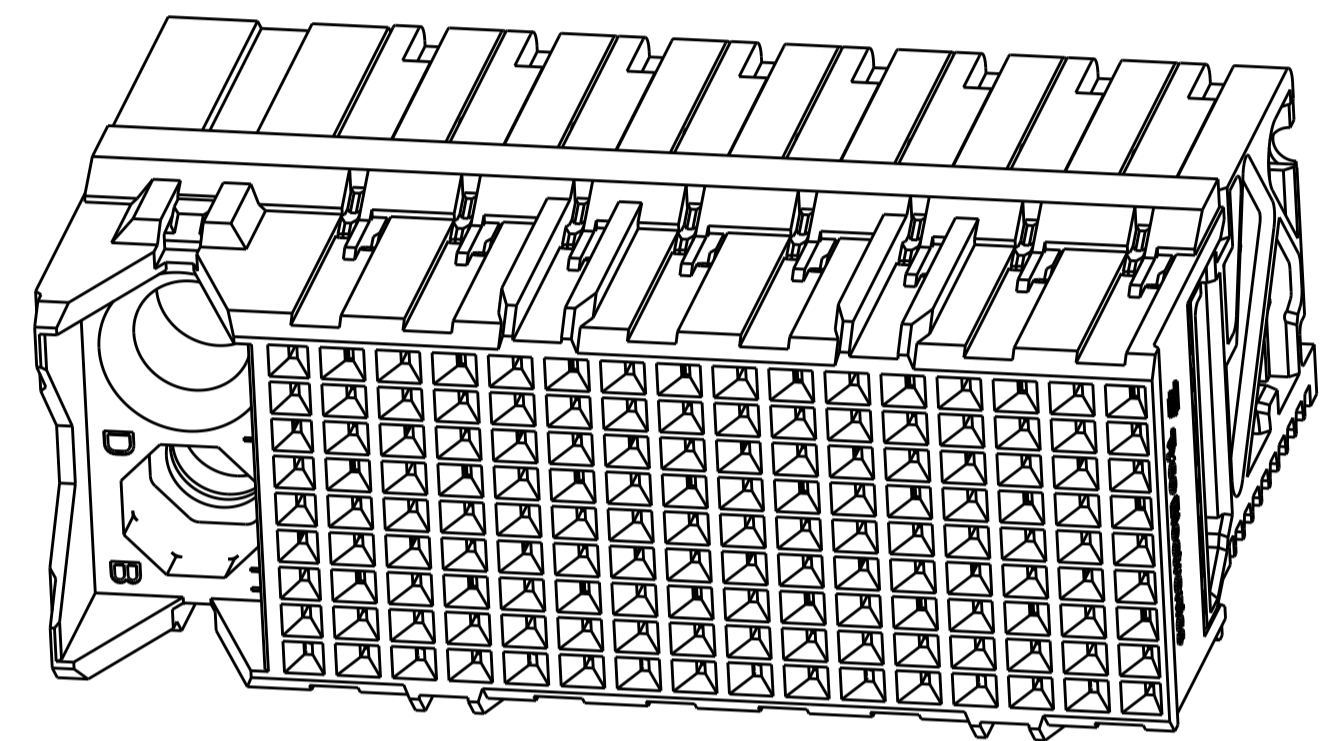
LOC		DIST		REVISIONS			
AD	00	P	LTN	DESCRIPTION	DATE	DWN	APVD
		D3		REVISED PER ECO-14-018035	11MAR2015	AP	DD



⚠ MATERIAL:
 HOUSING: LCP, GLASS FILLED, UL94V-0.
 TERMINALS: HIGH PERFORMANCE COPPER ALLOY.

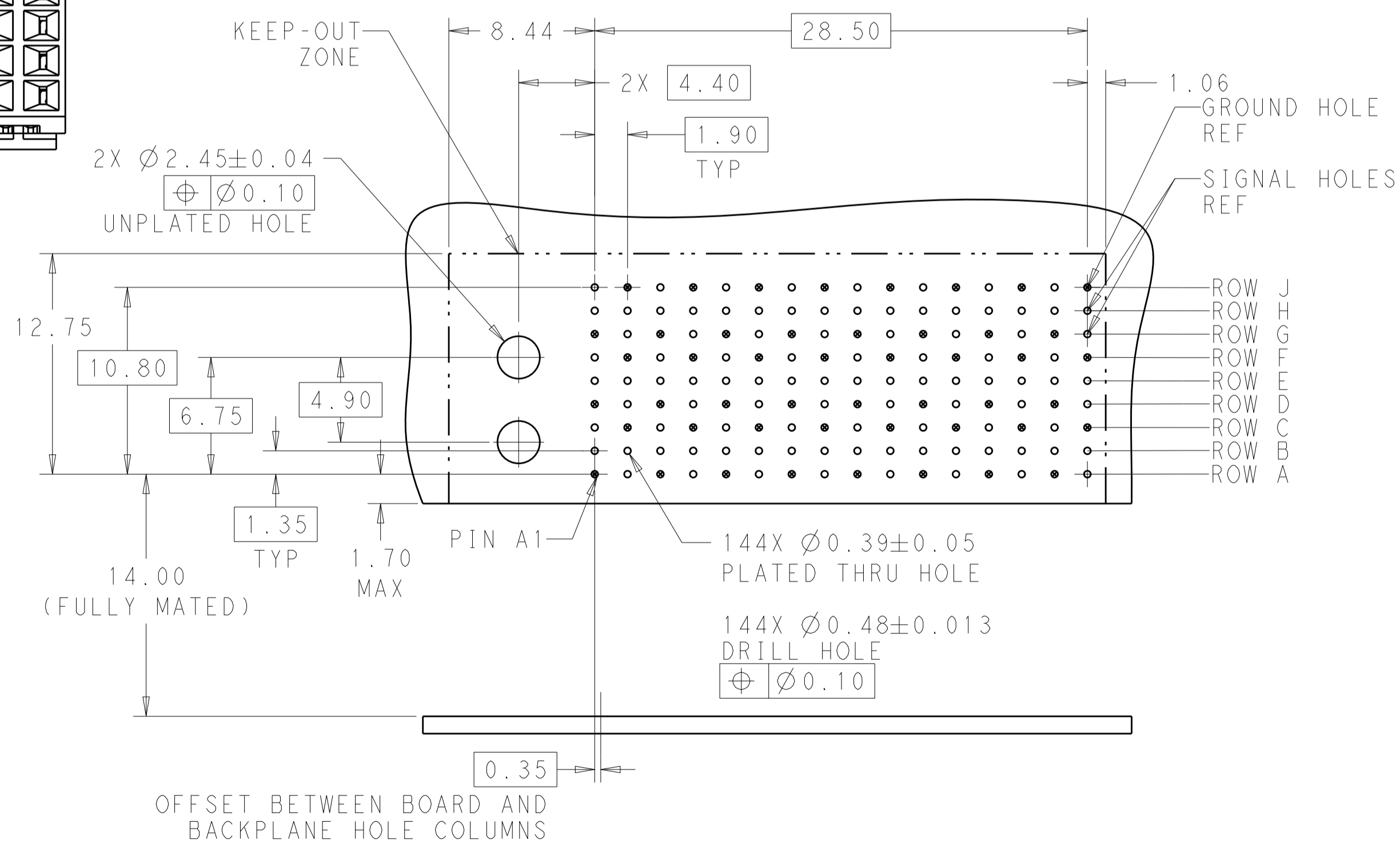
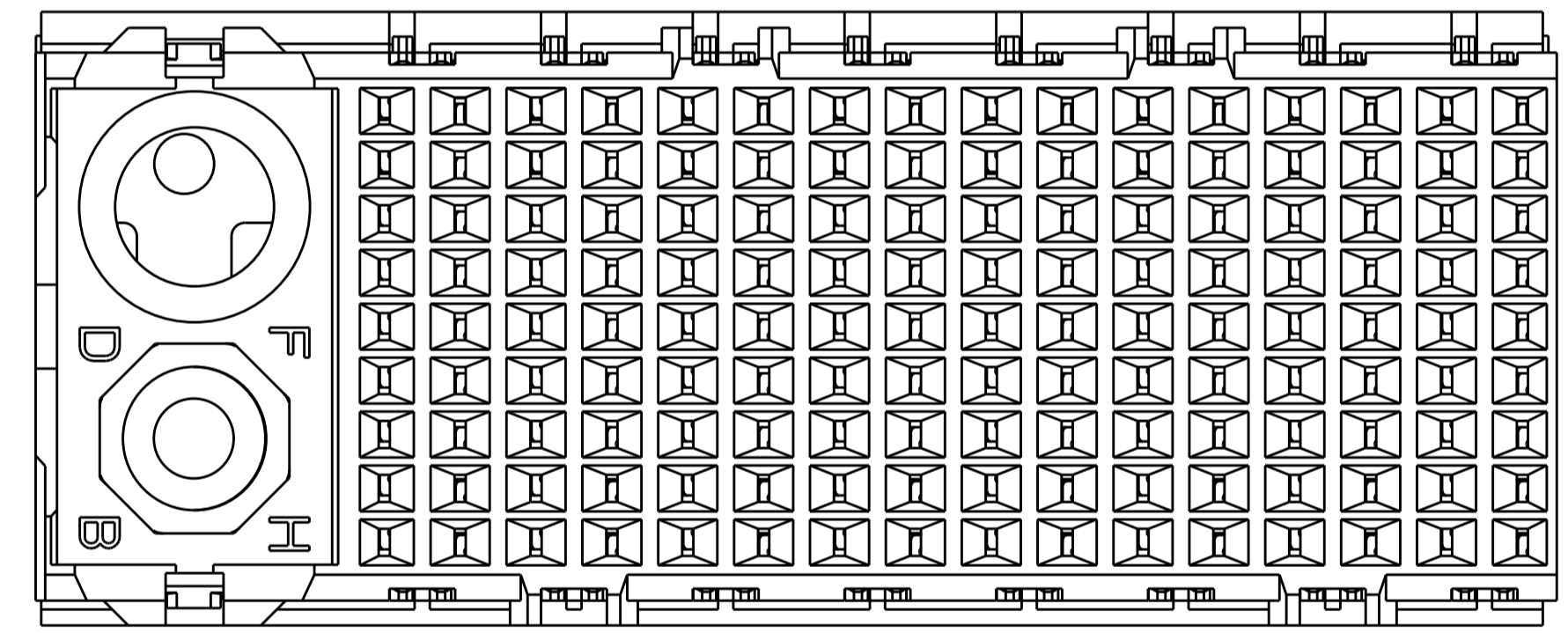
⚠ FINISH:
 30μ" SELECTIVE GOLD IN CONTACT AREA. SELECTIVE TIN ON PCB TAILS, NICKEL OVERALL.

3. CONNECTORS SUPPLIED WITH MOUNTING SCREWS.



SCALE 4:1

REFER TO WWW.TE.COM FOR PRODUCT AVAILABILITY



KEY POSITION CHART	
NONE	
A	E
B	F
C	G
D	H

KEY POSITION	FINISH	PART NUMBER
H	⚠	8-2007709-1
G	⚠	7-2007709-1
F	⚠	6-2007709-1
E	⚠	5-2007709-1
D	⚠	4-2007709-1
C	⚠	3-2007709-1
B	⚠	2-2007709-1
A	⚠	1-2007709-1
NONE	⚠	2007709-1

RECOMMENDED PCB LAYOUT
 MIN BOARD THICKNESS 1.0

THIS DRAWING IS A CONTROLLED DOCUMENT.

DWN: 05APR2011
 CHK: D. DIXON 05APR2011
 APVD: D. DIXON 05APR2011

TE Connectivity

NAME: IMPACT, 3 PAIR, DAUGHTERCARD 16 COLUMN, LEFT GUIDED, SIGNAL MODULE, 0.39 EYELET

SIZE: CAGE CODE DRAWING NO: A100779C=2007709
 WEIGHT: -
 Customer Drawing

SCALE: 6:1 SHEET 1 OF 1 REV: D3