



Chipsmall Limited consists of a professional team with an average of over 10 year of expertise in the distribution of electronic components. Based in Hongkong, we have already established firm and mutual-benefit business relationships with customers from,Europe,America and south Asia,supplying obsolete and hard-to-find components to meet their specific needs.

With the principle of "Quality Parts,Customers Priority,Honest Operation,and Considerate Service",our business mainly focus on the distribution of electronic components. Line cards we deal with include Microchip,ALPS,ROHM,Xilinx,Pulse,ON,Everlight and Freescale. Main products comprise IC,Modules,Potentiometer,IC Socket,Relay,Connector.Our parts cover such applications as commercial,industrial, and automotives areas.

We are looking forward to setting up business relationship with you and hope to provide you with the best service and solution. Let us make a better world for our industry!



Contact us

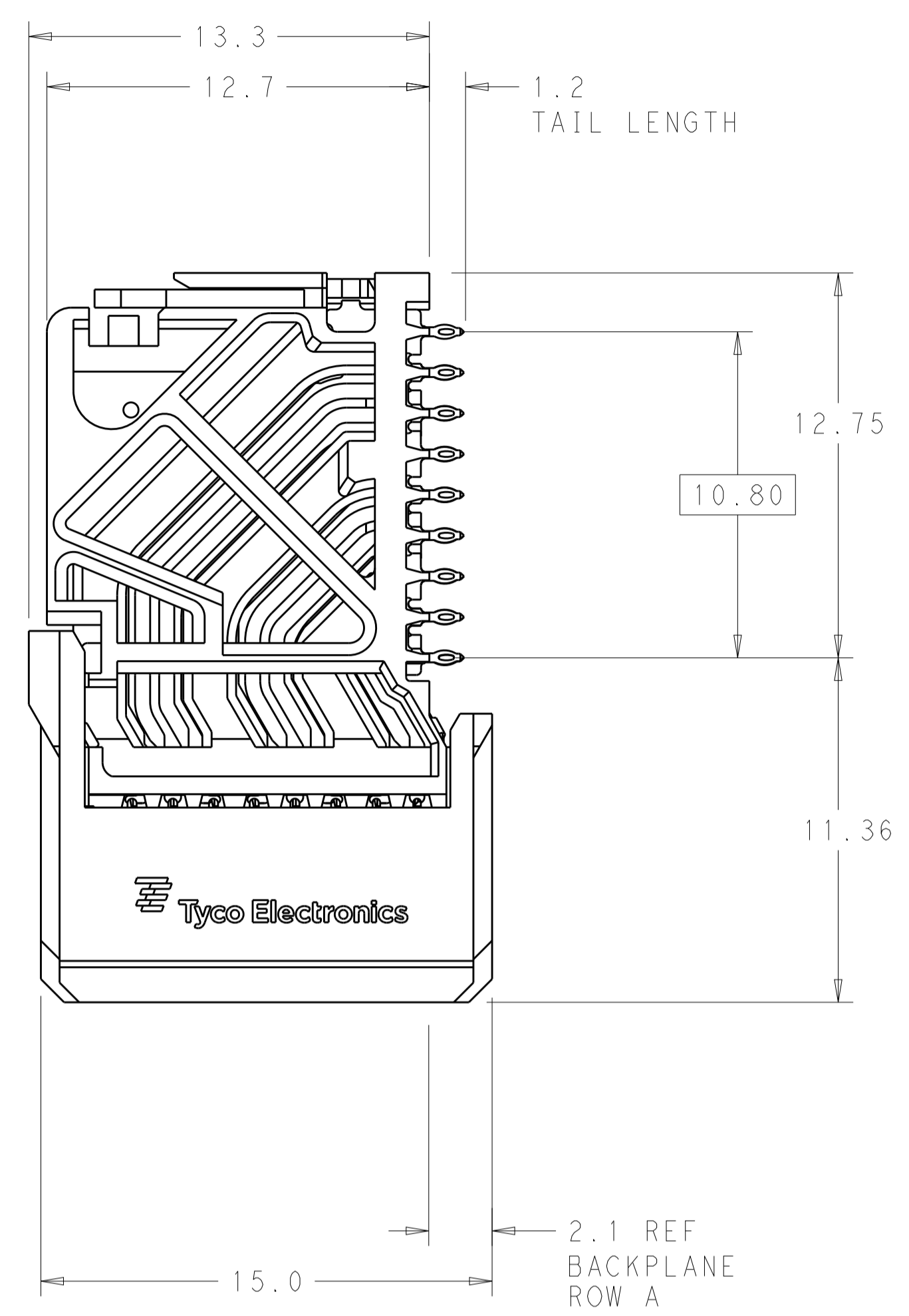
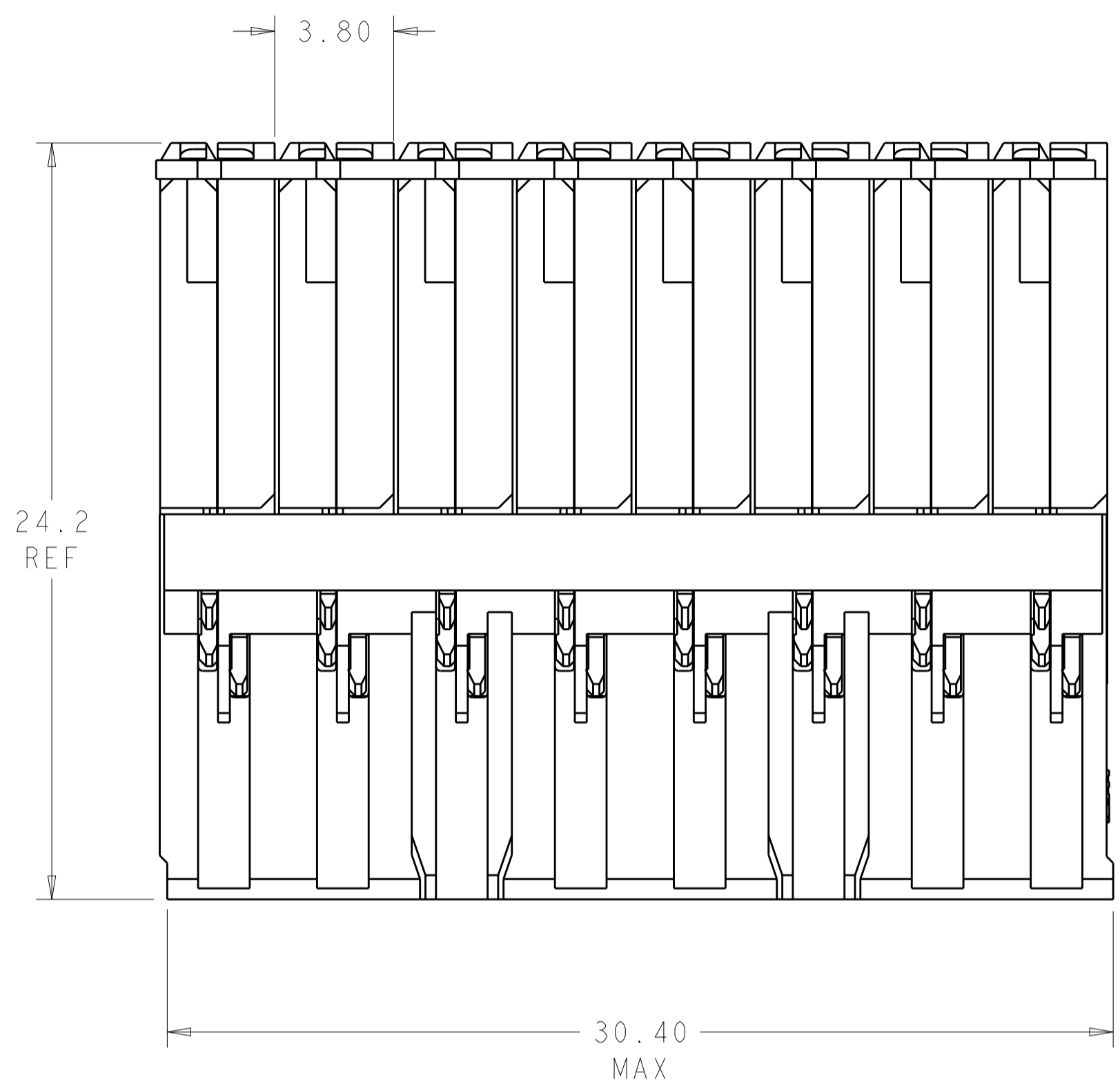
Tel: +86-755-8981 8866 Fax: +86-755-8427 6832

Email & Skype: info@chipsmall.com Web: www.chipsmall.com

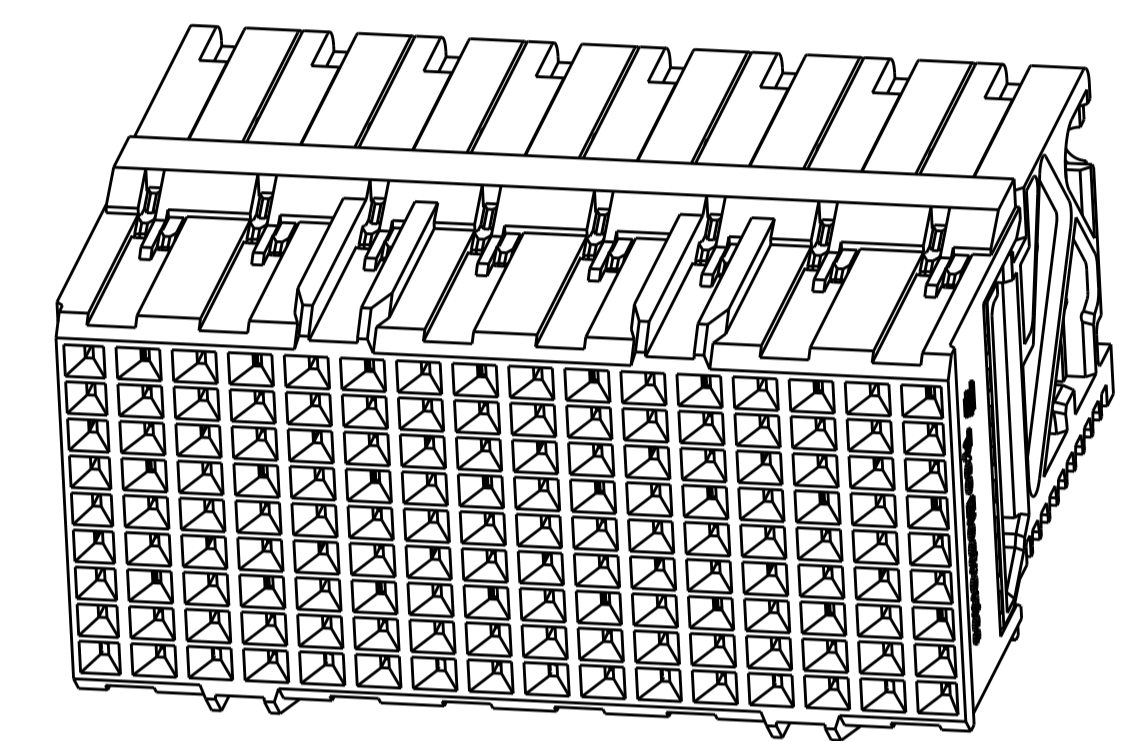
Address: A1208, Overseas Decoration Building, #122 Zhenhua RD., Futian, Shenzhen, China



| LOC | | DIST | | REVISIONS | | | |
|-----|----|------|-----|---------------------------|-----------|-----|------|
| AD | 00 | P | LTN | DESCRIPTION | DATE | DWN | APVD |
| | | E4 | | REVISED PER ECO-14-018035 | 11MAR2015 | AP | DD |

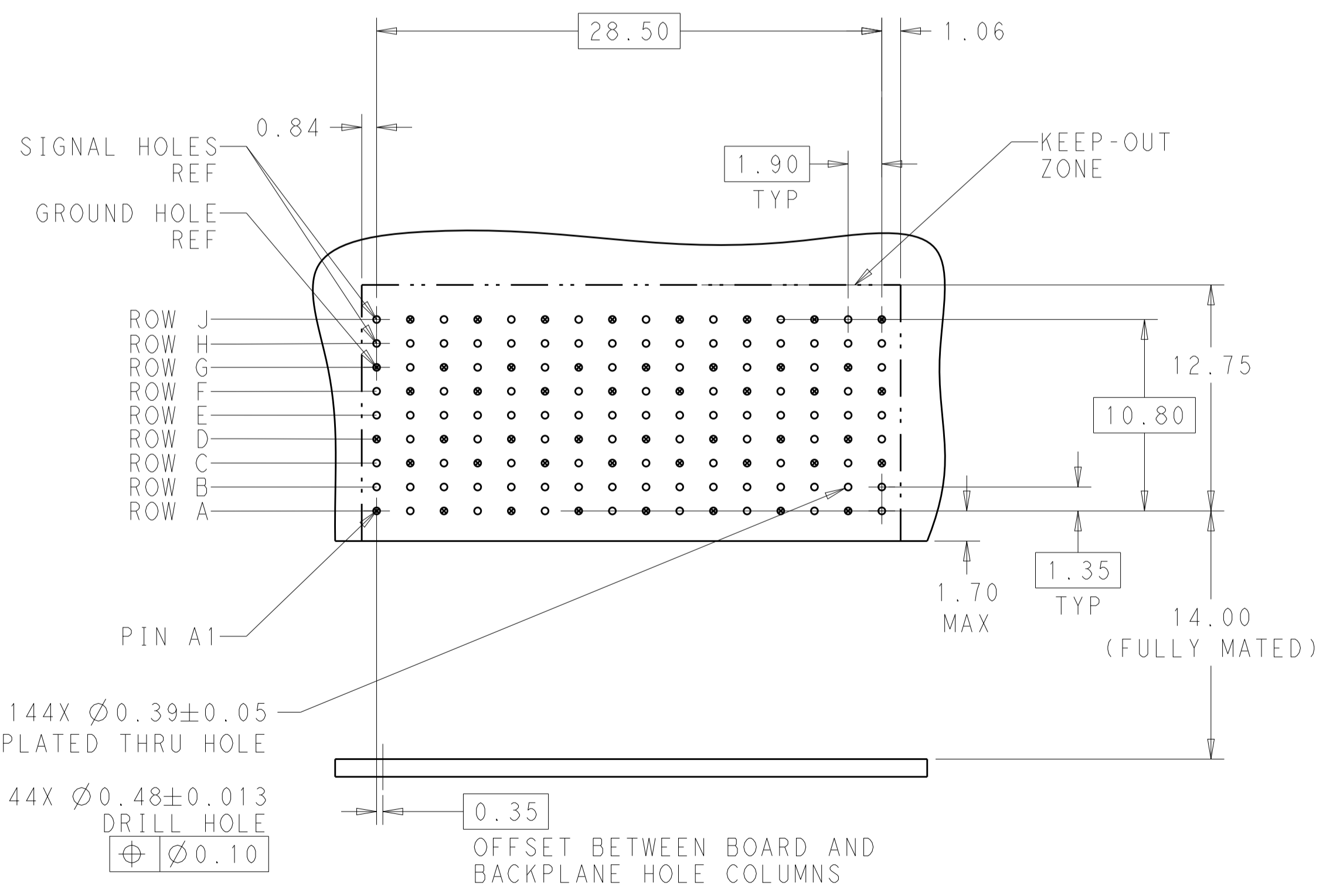
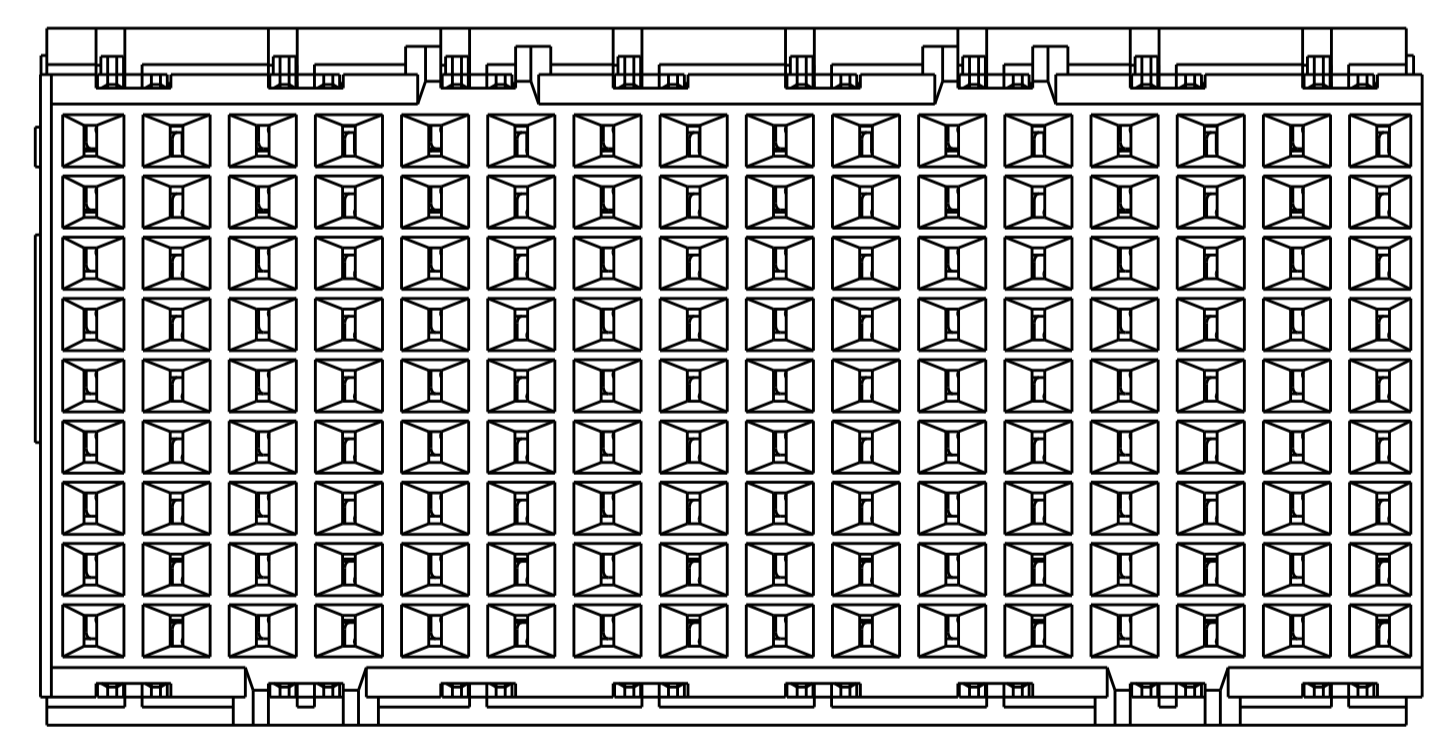


⚠ MATERIAL:
 HOUSING: LCP, GLASS FILLED, UL94V-0.
 TERMINALS: HIGH PERFORMANCE COPPER ALLOY.
 ⚠ FINISH:
 30µ" SELECTIVE GOLD IN CONTACT AREA. SELECTIVE TIN ON PCB TAILS, NICKEL OVERALL.



SCALE 4:1

REFER TO WWW.TE.COM FOR PRODUCT AVAILABILITY



KEY POSITION CHART

| | |
|------|---|
| NONE | |
| A | E |
| B | F |
| C | G |
| D | H |

| | | |
|--|--------|--|
| NONE | ⚠ | 2007711-1 |
| KEY POSITION | FINISH | PART NUMBER |
| STE TE Connectivity | | |
| DWN: 05APR2011 CHK: D. DIXON 05APR2011 APVD: D. DIXON 05APR2011 | | NAME: IMPACT, 3 PAIR, DAUGHTERCARD 16 COLUMN, UNGUIDED, SIGNAL MODULE, 0.39 EYELET |
| DIMENSIONS: mm TOLERANCES UNLESS OTHERWISE SPECIFIED: 0 PLC ± 1 PLC ±0.2 2 PLC ±0.13 3 PLC ± 4 PLC ± ANGLES ± | | SIZE: A1 CAGE CODE: 00779 DRAWING NO: C=2007711 |
| MATERIAL: SEE TABLE | | WEIGHT: - CUSTOMER DRAWING |
| THIS DRAWING IS A CONTROLLED DOCUMENT. | | SCALE: 6:1 SHEET 1 OF 1 REV: E4 |