



Chipsmall Limited consists of a professional team with an average of over 10 year of expertise in the distribution of electronic components. Based in Hongkong, we have already established firm and mutual-benefit business relationships with customers from,Europe,America and south Asia,supplying obsolete and hard-to-find components to meet their specific needs.

With the principle of “Quality Parts,Customers Priority,Honest Operation,and Considerate Service”,our business mainly focus on the distribution of electronic components. Line cards we deal with include Microchip,ALPS,ROHM,Xilinx,Pulse,ON,Everlight and Freescale. Main products comprise IC,Modules,Potentiometer,IC Socket,Relay,Connector.Our parts cover such applications as commercial,industrial, and automotives areas.

We are looking forward to setting up business relationship with you and hope to provide you with the best service and solution. Let us make a better world for our industry!



Contact us

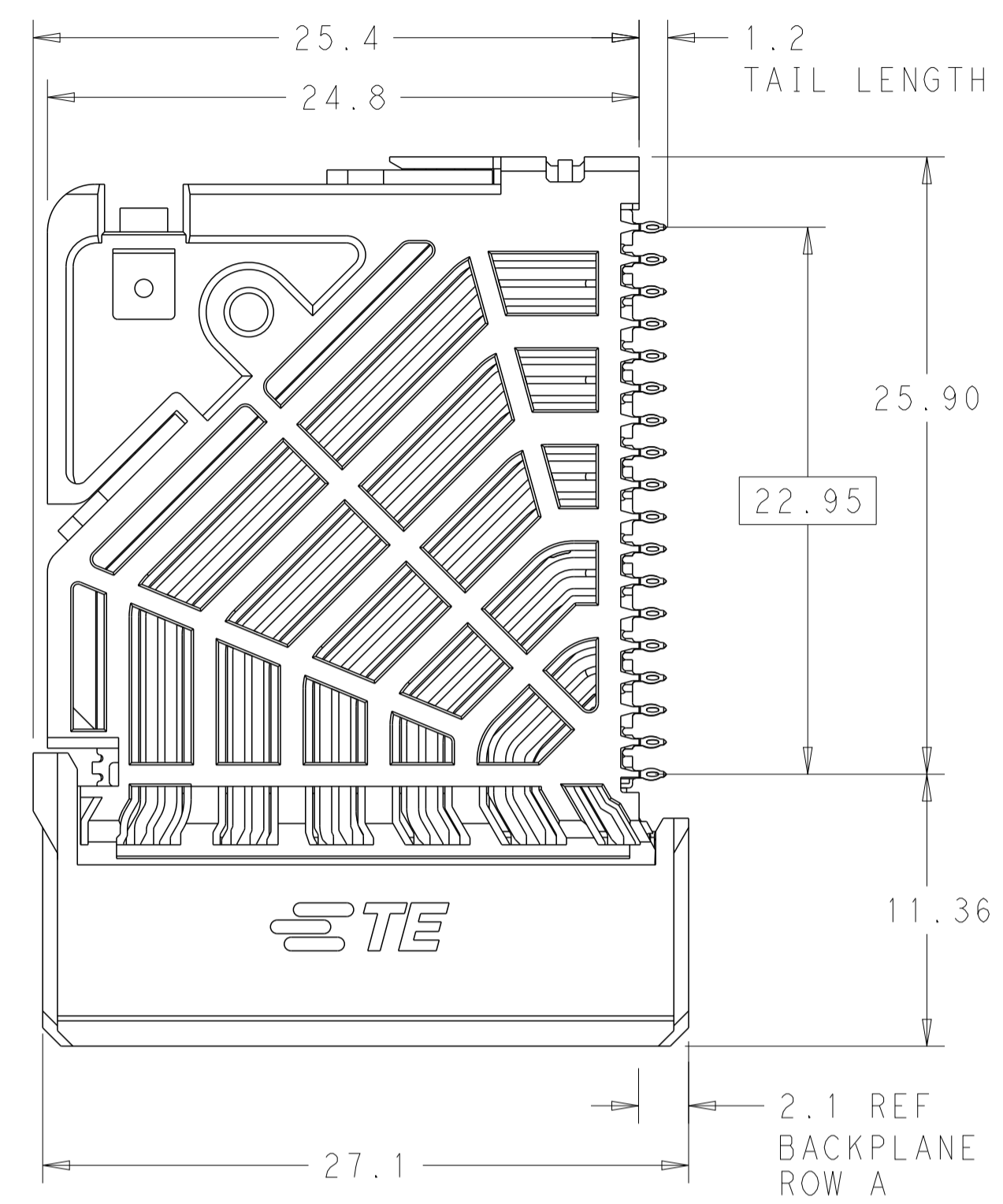
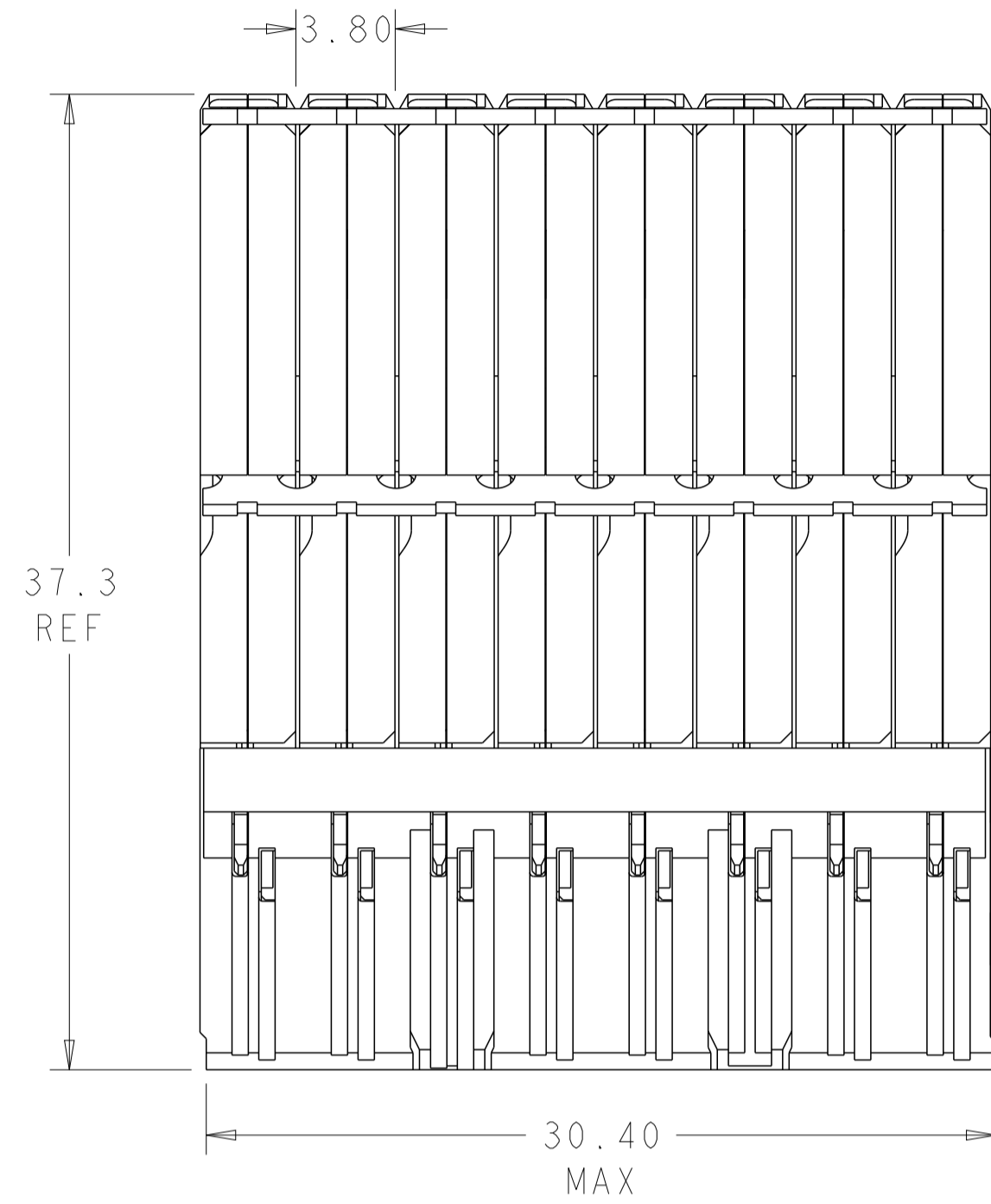
Tel: +86-755-8981 8866 Fax: +86-755-8427 6832

Email & Skype: info@chipsmall.com Web: www.chipsmall.com

Address: A1208, Overseas Decoration Building, #122 Zhenhua RD., Futian, Shenzhen, China

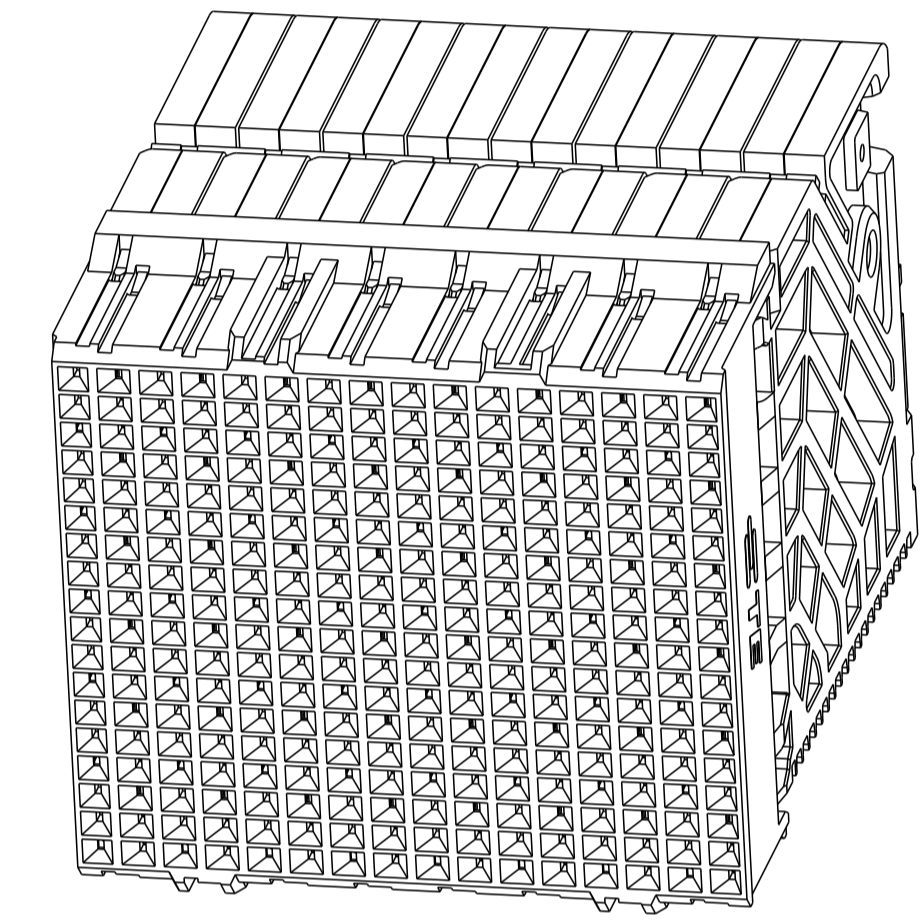


REVISIONS				
P	LTN	DESCRIPTION	DATE	APVD
E		REVISED PER ECO-15-012351	03SEP2015	AP SY

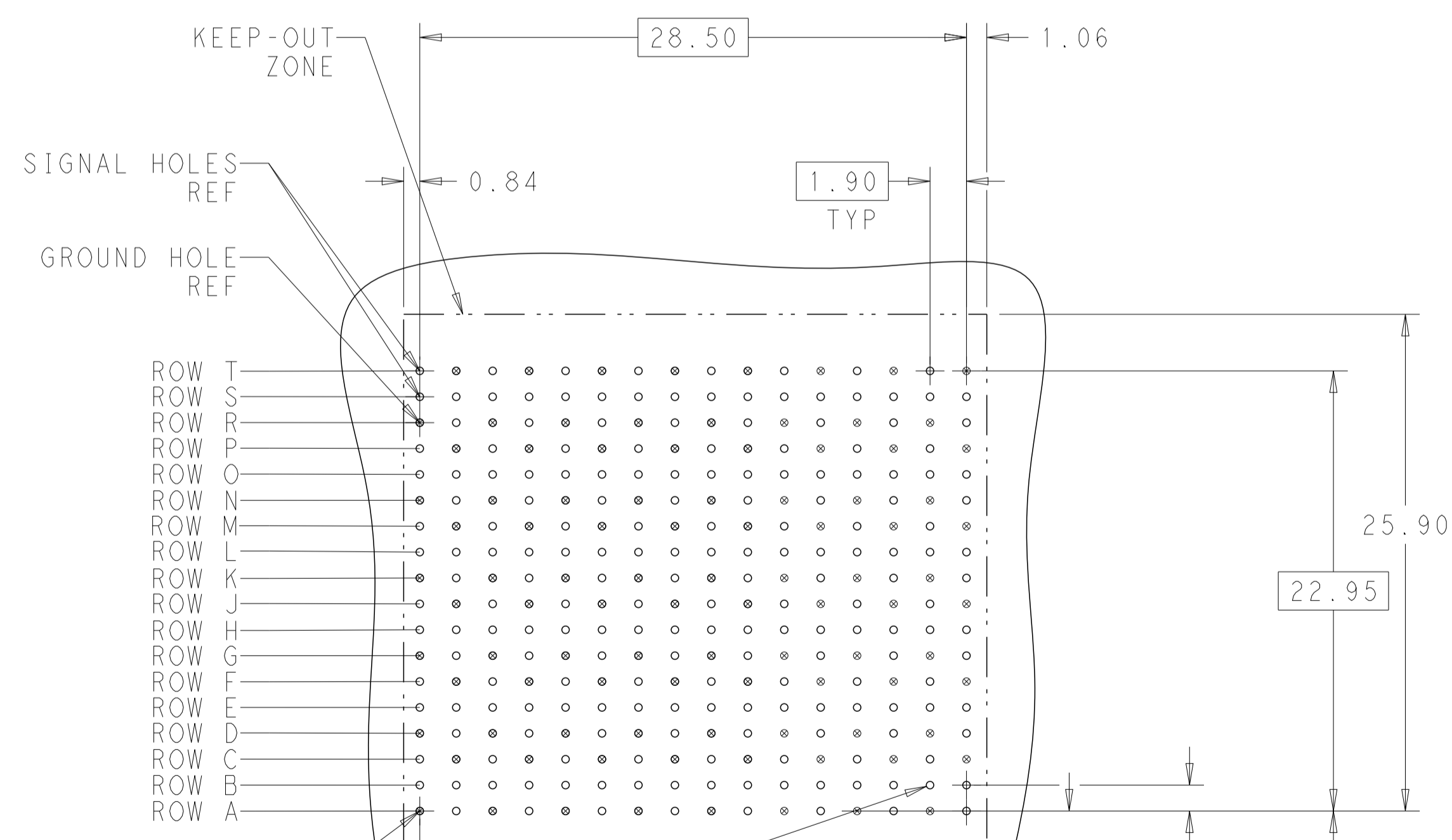
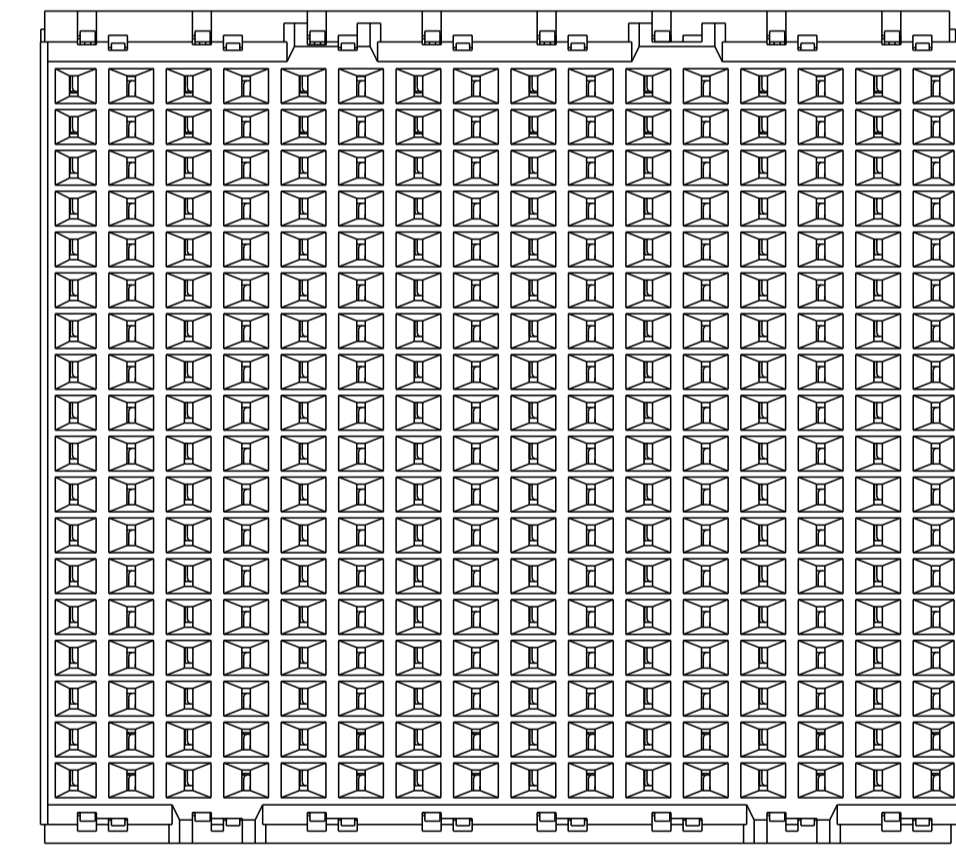


⚠ MATERIAL:
 HOUSING: LCP, GLASS FILLED, UL94V-0.
 TERMINALS: HIGH PERFORMANCE COPPER ALLOY.

⚠ FINISH:
 30µ" SELECTIVE GOLD IN CONTACT AREA. SELECTIVE TIN
 ON PCB TAILS, NICKEL OVERALL.



SCALE 3:1



REFER TO WWW.TE.COM
 FOR PRODUCT AVAILABILITY

288X $\varnothing 0.39 \pm 0.05$
 PLATED THRU HOLE

288X $\varnothing 0.48 \pm 0.013$
 DRILL HOLE

$\varnothing 0.10$

0.35
 OFFSET BETWEEN BOARD AND
 BACKPLANE HOLE COLUMNS

RECOMMENDED PCB LAYOUT
 MIN BOARD THICKNESS 1.0

NONE	⚠	2007747-1
KEY POSITION	FINISH	PART NUMBER

THIS DRAWING IS A CONTROLLED DOCUMENT.		OWN B. CARBO 19NOV2010	TE Connectivity	
DIMENSIONS:		CHK D. DIXON 19NOV2010		
TOLERANCES UNLESS OTHERWISE SPECIFIED:		APVD D. DIXON 19NOV2010		
mm	0 PLC ±	NAME	IMPACT, 6 PAIR, DAUGHTERCARD	
	1 PLC ±0.2	PRODUCT SPEC	16 COLUMN, UNGUIDED, SIGNAL	
	2 PLC ±0.13	APPLICATION SPEC	MODULE, 0.39 EYELET	
	3 PLC ±	SIZE	A1	
	4 PLC ±	CAGE CODE	00779	
	ANGLES ±	DRAWING NO	C=2007747	
MATERIAL	FINISH	WEIGHT	RESTRICTED TO	
SEE TABLE	SEE TABLE	Customer Drawing	SCALE 4:1	SHEET 1 OF 1 REV E