



Chipsmall Limited consists of a professional team with an average of over 10 year of expertise in the distribution of electronic components. Based in Hongkong, we have already established firm and mutual-benefit business relationships with customers from,Europe,America and south Asia,supplying obsolete and hard-to-find components to meet their specific needs.

With the principle of “Quality Parts,Customers Priority,Honest Operation,and Considerate Service”,our business mainly focus on the distribution of electronic components. Line cards we deal with include Microchip,ALPS,ROHM,Xilinx,Pulse,ON,Everlight and Freescale. Main products comprise IC,Modules,Potentiometer,IC Socket,Relay,Connector.Our parts cover such applications as commercial,industrial, and automotives areas.

We are looking forward to setting up business relationship with you and hope to provide you with the best service and solution. Let us make a better world for our industry!



Contact us

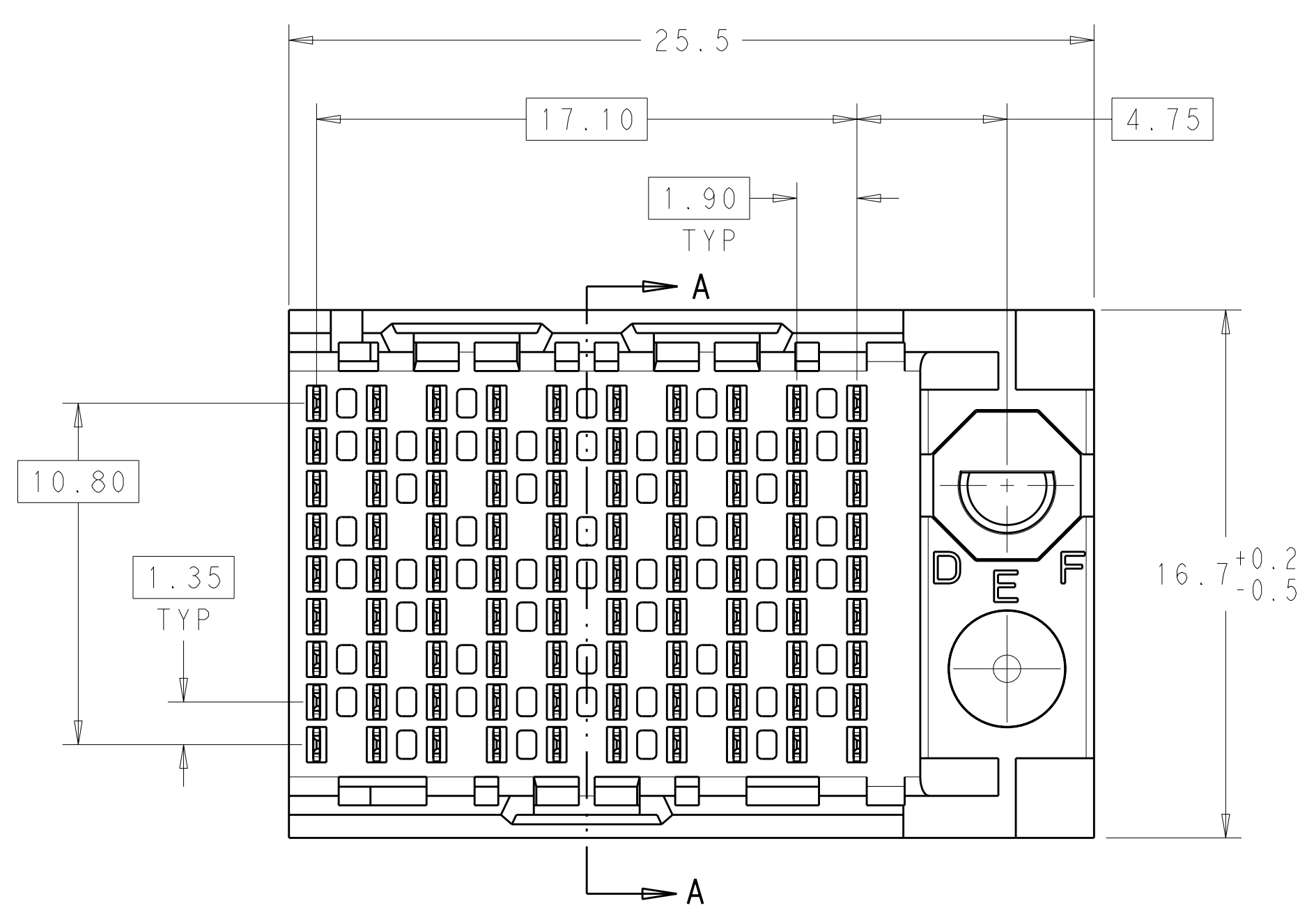
Tel: +86-755-8981 8866 Fax: +86-755-8427 6832

Email & Skype: info@chipsmall.com Web: www.chipsmall.com

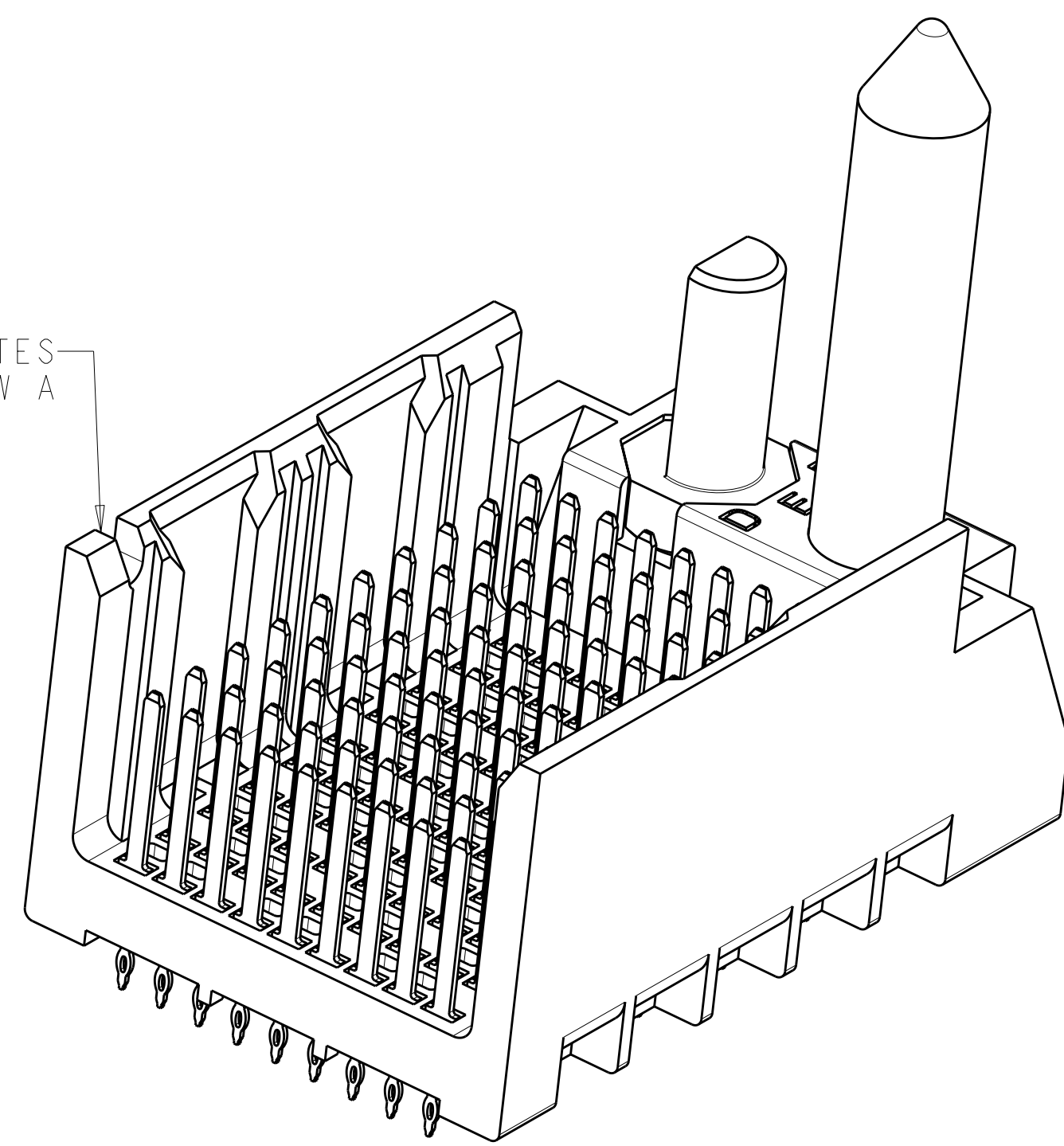
Address: A1208, Overseas Decoration Building, #122 Zhenhua RD., Futian, Shenzhen, China



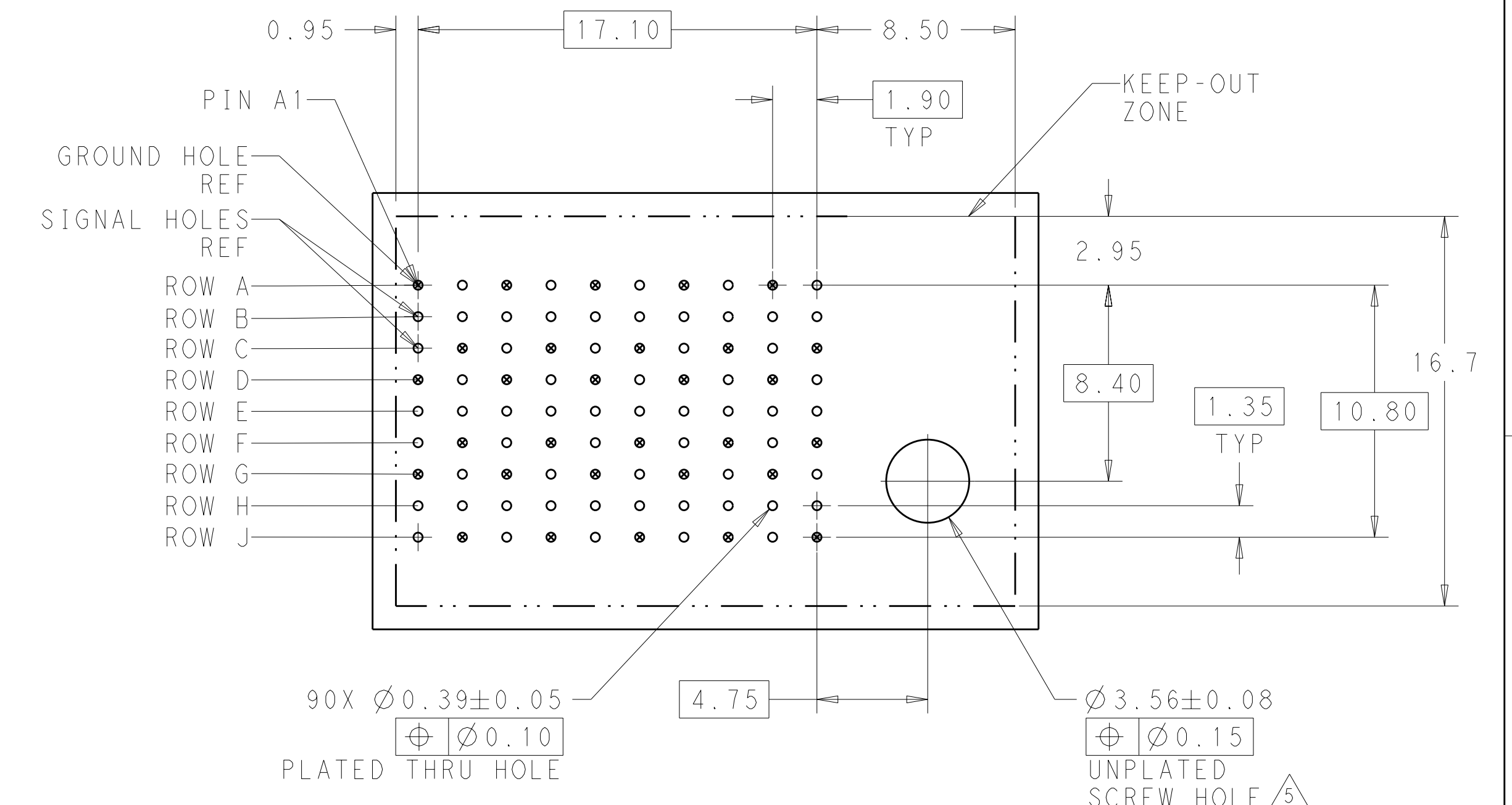
LOC	DIST	REV	DATE	BY	APPD
AD	00	C	22DEC11	KH	DY
REVISIONS			DESCRIPTION	DATE	DWN
C			REVISED PER ECO-11-025276	22DEC11	KH



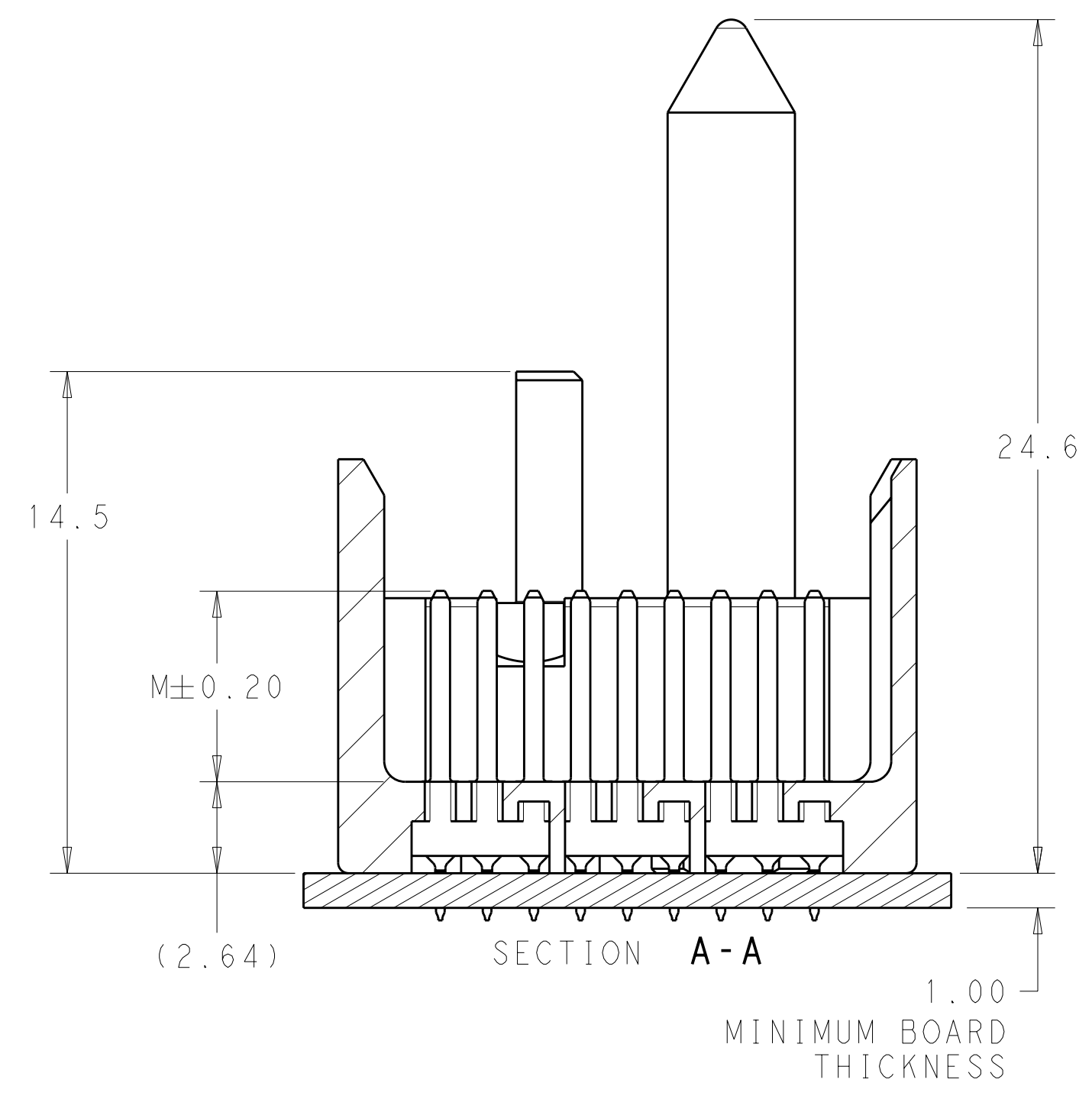
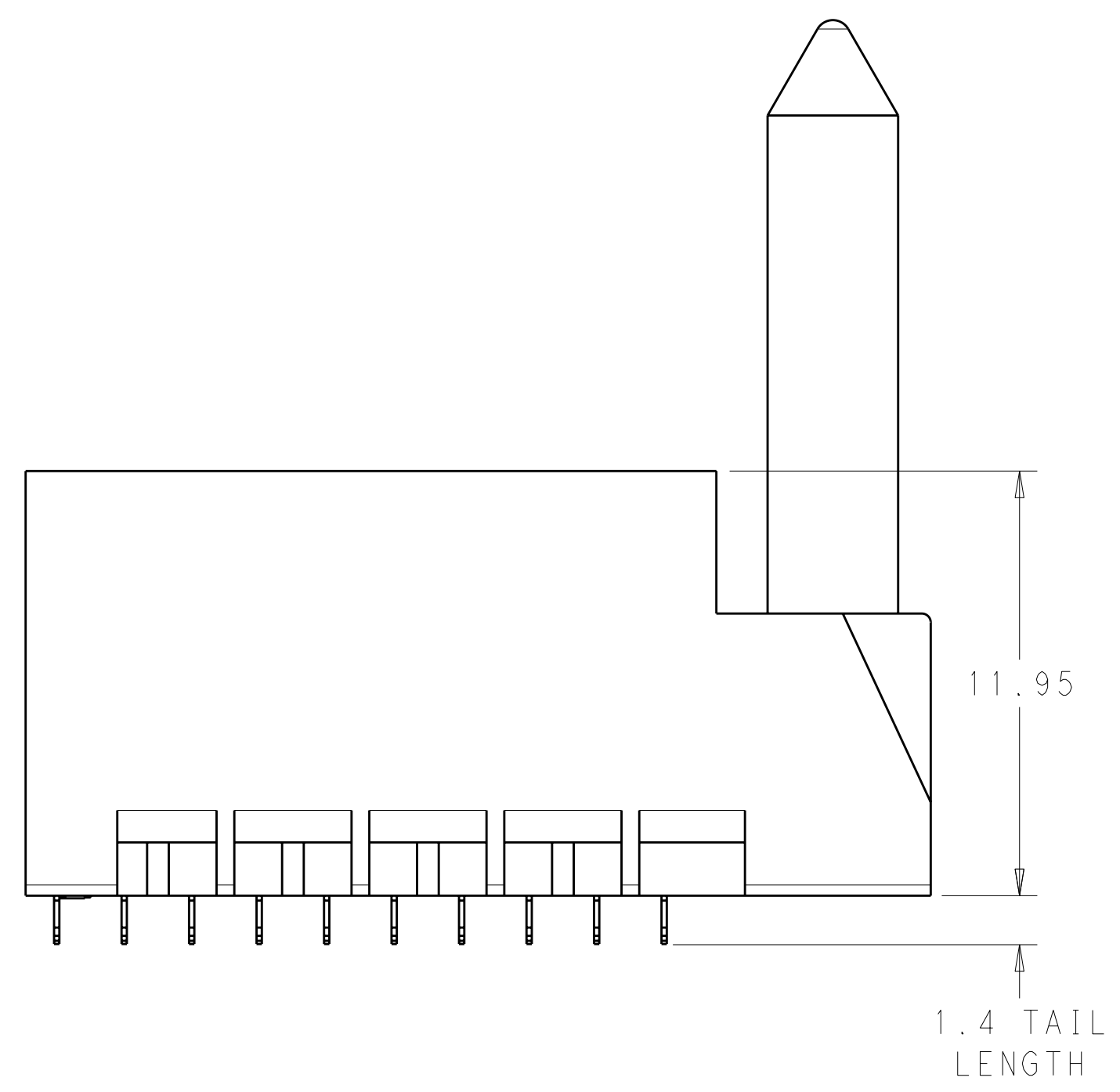
NOTCH DESIGNATES ROW A



- 1 MATERIAL:
HOUSING: LCP, GLASS FILLED, UL94V-0.
TERMINALS: HIGH PERFORMANCE COPPER ALLOY.
- 2 FINISH:
30µ" MIN GOLD IN CONTACT AREA. SELECTIVE TIN ON PCB TAILS, NICKEL OVERALL.
- 3 FINISH:
30µ" MIN GOLD IN CONTACT AREA. SELECTIVE TIN-LEAD ON PCB TAILS, NICKEL OVERALL.
- 4. SCREWS PACKAGED IN END OF PACKAGING TUBE.
- 5 FOR GROUNDED GUIDE PIN USE $\varnothing 3.56 \pm 0.08$ PTH, $\varnothing 3.66$ DRILL, AND $\varnothing 6.5$ PAD.
- 6. KEYING PIN SHOWN IN POSITION A, SEE KEYING CHART ON SHEET 2 FOR OTHER POSITIONS.



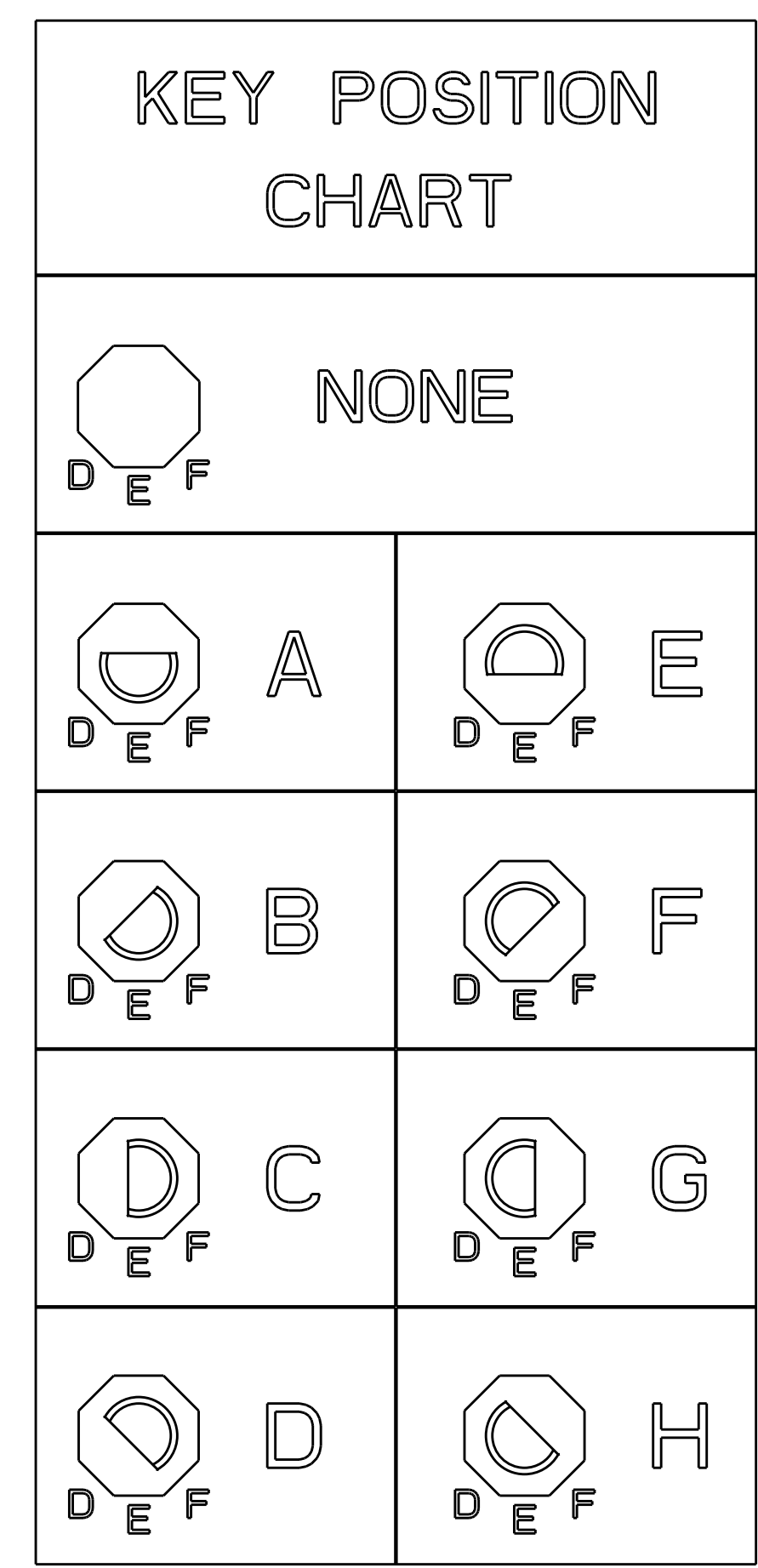
RIGHT GUIDED BACKPLANE HOLE PATTERN (CONNECTOR SIDE)



THIS DRAWING IS A CONTROLLED DOCUMENT.		DWN J. K. SHOBER 22DEC11	TE Connectivity
DIMENSIONS: mm		CHK J. EBY 22DEC11	
TOLERANCES UNLESS OTHERWISE SPECIFIED:		APVD J. EBY 22DEC11	NAME IMPACT, 3 PAIR, 10 COLUMN, HEADER RIGHT GUIDED, OPEN END WALL SIGNAL MODULE, 0.39 PTH
9 PLC ±		PRODUCT SPEC	
1 PLC ±0.25		APPLICATION SPEC	SIZE CAGE CODE DRAWING NO RESTRICTED TO
3 PLC ±0.13		WEIGHT	A100779C=2007781
5 PLC ±		CUSTOMER DRAWING	SCALE 6:1 SHEET 1 OF 2 REV C
4 PLC ±			
ANGLES ±			
FINISH SEE TABLE			

LOC		DIST		REVISIONS			
AD	00	P	LTG	DESCRIPTION	DATE	DWN	APVD
		-	-	SEE SHEET 1	-	-	-

3	H	5.5	8-2007781-6
3	H	4.9	8-2007781-5
3	H	4.5	8-2007781-4
2	H	5.5	8-2007781-3
2	H	4.9	8-2007781-2
2	H	4.5	8-2007781-1
3	G	5.5	7-2007781-6
3	G	4.9	7-2007781-5
3	G	4.5	7-2007781-4
2	G	5.5	7-2007781-3
2	G	4.9	7-2007781-2
2	G	4.5	7-2007781-1
3	F	5.5	6-2007781-6
3	F	4.9	6-2007781-5
3	F	4.5	6-2007781-4
2	F	5.5	6-2007781-3
2	F	4.9	6-2007781-2
2	F	4.5	6-2007781-1
3	E	5.5	5-2007781-6
3	E	4.9	5-2007781-5
3	E	4.5	5-2007781-4
2	E	5.5	5-2007781-3
2	E	4.9	5-2007781-2
2	E	4.5	5-2007781-1
3	D	5.5	4-2007781-6
3	D	4.9	4-2007781-5
3	D	4.5	4-2007781-4
2	D	5.5	4-2007781-3
2	D	4.9	4-2007781-2
2	D	4.5	4-2007781-1
3	C	5.5	3-2007781-6
3	C	4.9	3-2007781-5
3	C	4.5	3-2007781-4
2	C	5.5	3-2007781-3
2	C	4.9	3-2007781-2
2	C	4.5	3-2007781-1
3	B	5.5	2-2007781-6
3	B	4.9	2-2007781-5
3	B	4.5	2-2007781-4
2	B	5.5	2-2007781-3
2	B	4.9	2-2007781-2
2	B	4.5	2-2007781-1
3	A	5.5	1-2007781-6
3	A	4.9	1-2007781-5
3	A	4.5	1-2007781-4
2	A	5.5	1-2007781-3
2	A	4.9	1-2007781-2
2	A	4.5	1-2007781-1
3	-	5.5	2007781-6
3	-	4.9	2007781-5
3	-	4.5	2007781-4
2	-	5.5	2007781-3
2	-	4.9	2007781-2
2	-	4.5	2007781-1
FINISH	KEY POSITION	DIM M	PART NUMBER



REFER TO WWW.TE.COM
FOR PRODUCT AVAILABILITY

THIS DRAWING IS A CONTROLLED DOCUMENT.		DWN J. K. SHOBER	22DEC11	TE TE Connectivity											
DIMENSIONS: mm		CHK J. EBY	22DEC11												
TOLERANCES UNLESS OTHERWISE SPECIFIED:		APVD J. EBY	22DEC11	NAME IMPACT, 3 PAIR, 10 COLUMN, HEADER RIGHT GUIDED, OPEN END WALL SIGNAL MODULE, 0.39 PTH											
<table border="1" style="font-size: 8px;"> <tr><td>9 PLC</td><td>±</td></tr> <tr><td>3 PLC</td><td>±0.25</td></tr> <tr><td>5 PLC</td><td>±0.13</td></tr> <tr><td>4 PLC</td><td>±</td></tr> <tr><td>ANGLES</td><td>±</td></tr> <tr><td>FINISH</td><td>±</td></tr> </table>		9 PLC	±		3 PLC	±0.25	5 PLC	±0.13	4 PLC	±	ANGLES	±	FINISH	±	PRODUCT SPEC
9 PLC	±														
3 PLC	±0.25														
5 PLC	±0.13														
4 PLC	±														
ANGLES	±														
FINISH	±														
MATERIAL		APPLICATION SPEC		SIZE CAGE CODE DRAWING NO											
SEE TABLE		WEIGHT		A100779C=2007781											
		CUSTOMER DRAWING		RESTRICTED TO											
		SCALE	5:1	SHEET 2 OF 2 REV C											