



Chipsmall Limited consists of a professional team with an average of over 10 year of expertise in the distribution of electronic components. Based in Hongkong, we have already established firm and mutual-benefit business relationships with customers from,Europe,America and south Asia,supplying obsolete and hard-to-find components to meet their specific needs.

With the principle of “Quality Parts,Customers Priority,Honest Operation,and Considerate Service”,our business mainly focus on the distribution of electronic components. Line cards we deal with include Microchip,ALPS,ROHM,Xilinx,Pulse,ON,Everlight and Freescale. Main products comprise IC,Modules,Potentiometer,IC Socket,Relay,Connector.Our parts cover such applications as commercial,industrial, and automotives areas.

We are looking forward to setting up business relationship with you and hope to provide you with the best service and solution. Let us make a better world for our industry!



Contact us

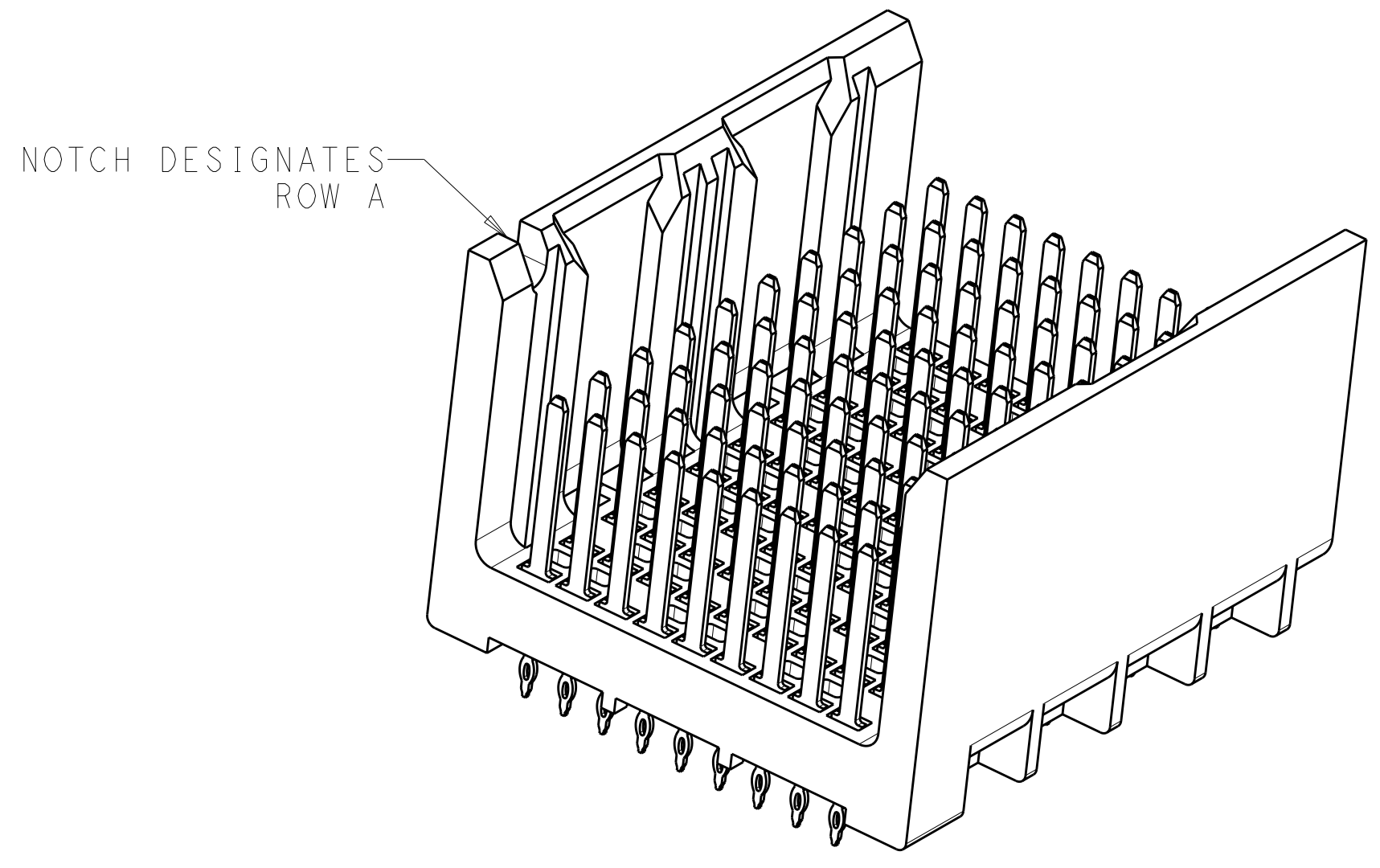
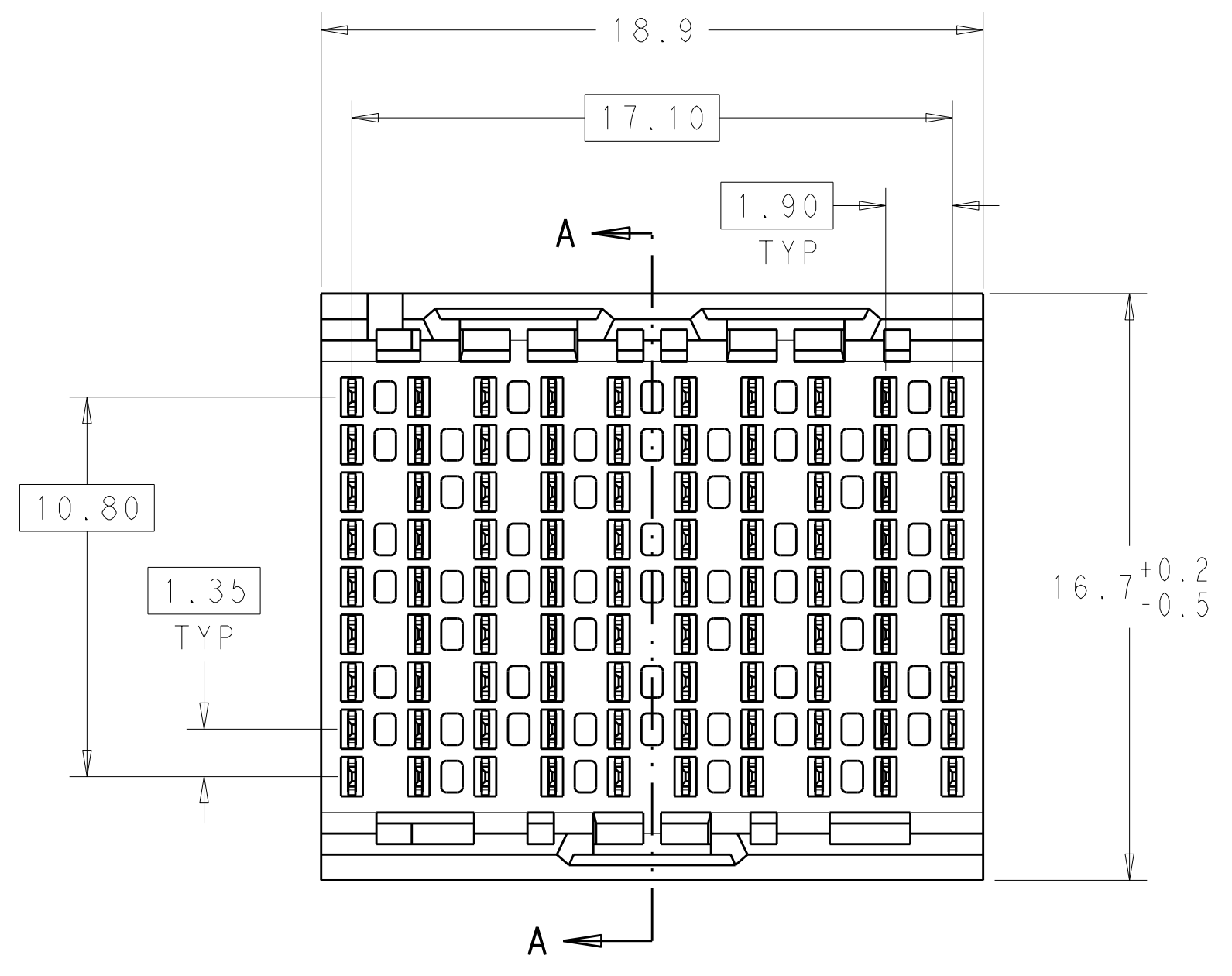
Tel: +86-755-8981 8866 Fax: +86-755-8427 6832

Email & Skype: info@chipsmall.com Web: www.chipsmall.com

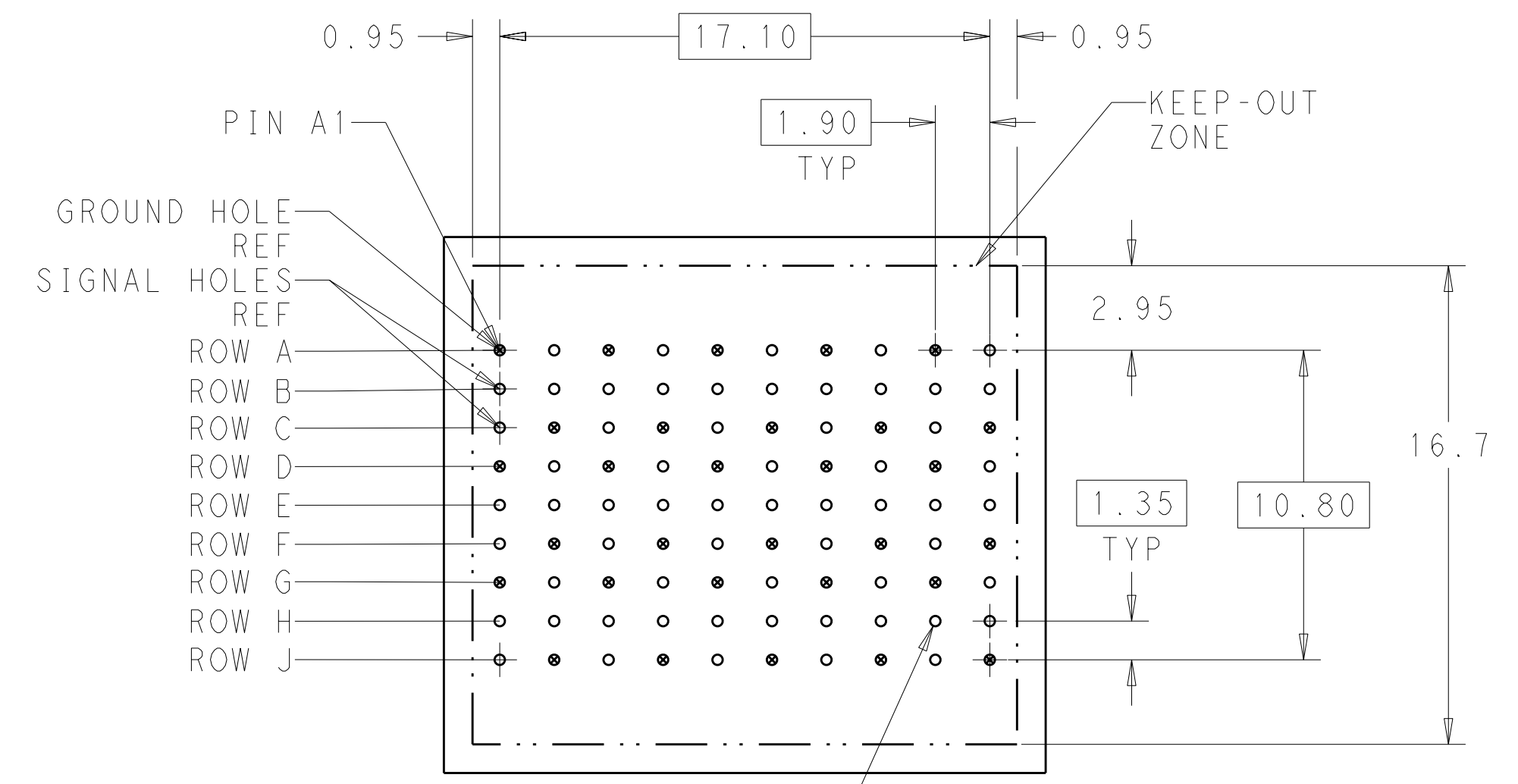
Address: A1208, Overseas Decoration Building, #122 Zhenhua RD., Futian, Shenzhen, China



LOC		DIST		REVISIONS			
AD	00	P	LT#	DESCRIPTION	DATE	DWN	APVD
		C		REVISED PER ECO-11-025276	23DEC11	KH	DY
		D		REV PER ECO-12-002142	13FEB2012	BC	DY

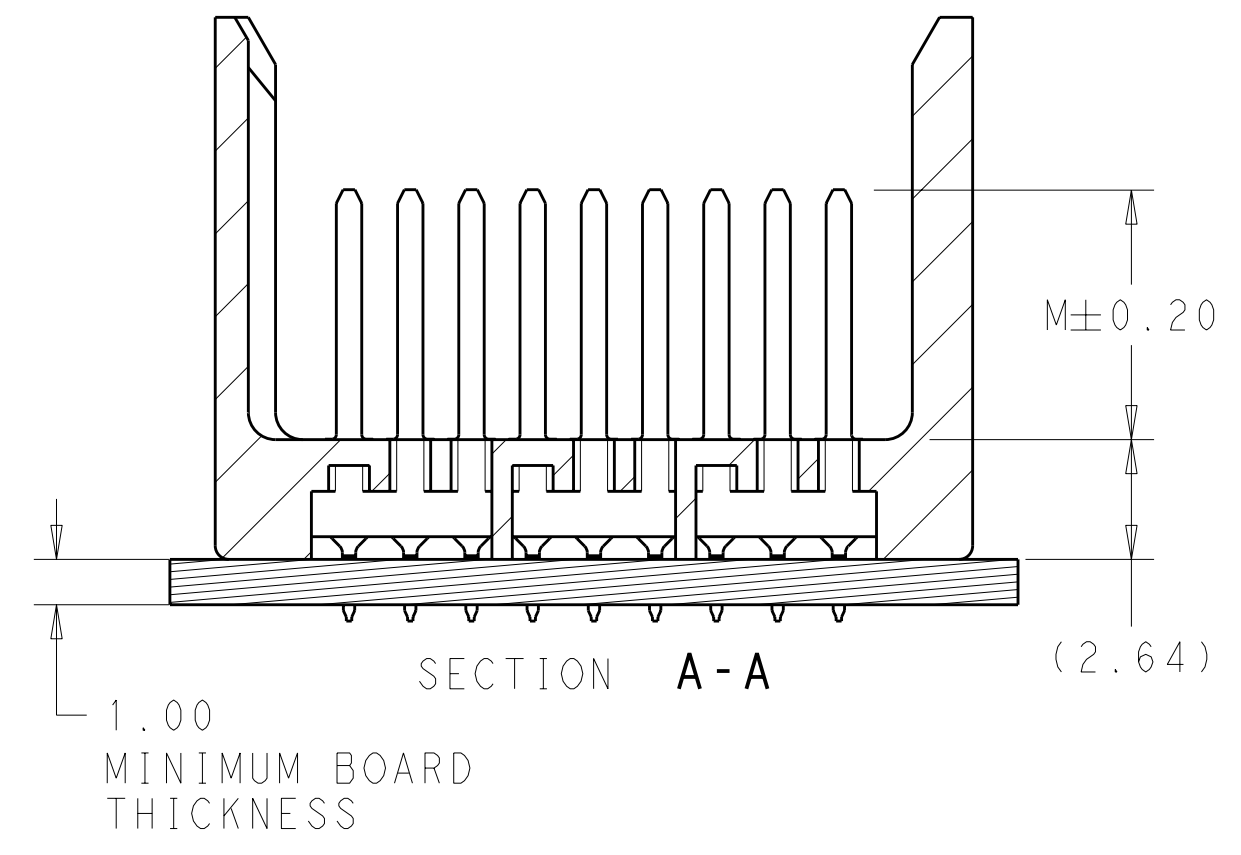
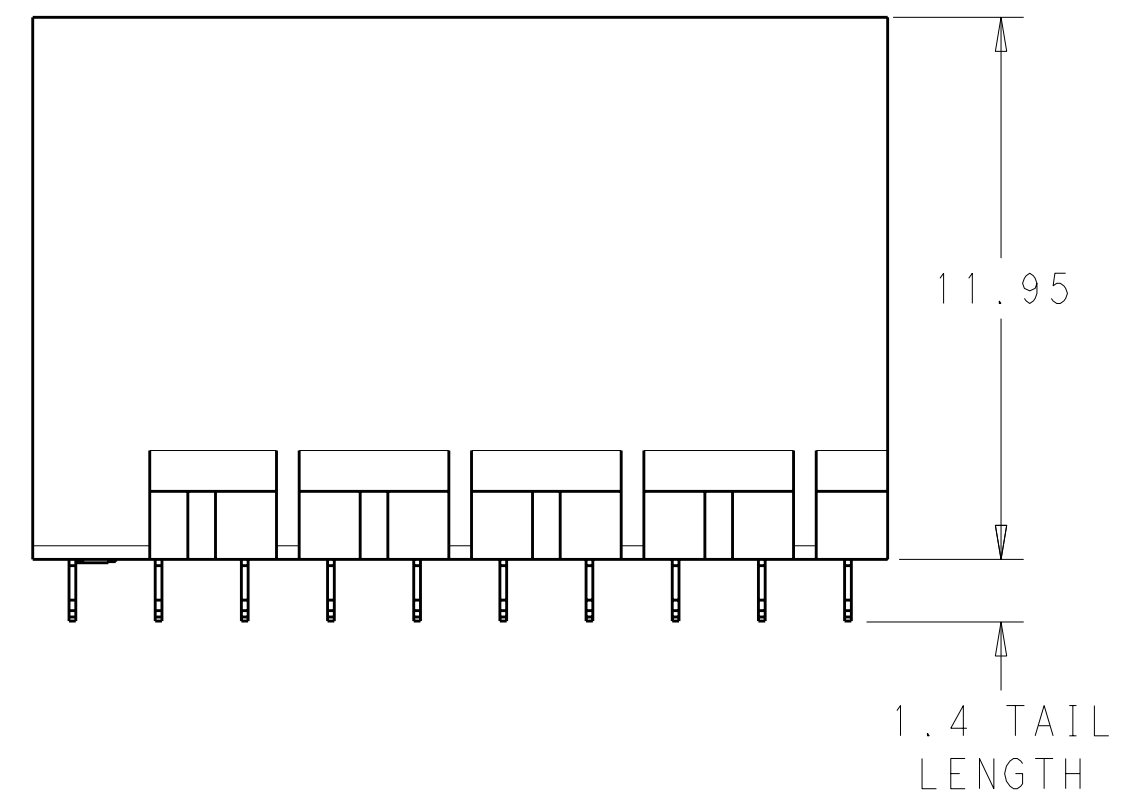


- 1 MATERIAL:
HOUSING: LCP, GLASS FILLED, UL94V-0.
TERMINALS: HIGH PERFORMANCE COPPER ALLOY.
- 2 FINISH:
30µ" MIN GOLD IN CONTACT AREA. SELECTIVE TIN
ON PCB TAILS, NICKEL OVERALL.
- 3 FINISH:
30µ" MIN GOLD IN CONTACT AREA. SELECTIVE TIN-LEAD
ON PCB TAILS, NICKEL OVERALL.



90X $\varnothing 0.36^{+0.07}_{-0.03}$
PLATED THRU HOLE
90X 0.45 ± 0.013
DRILL HOLE
 $\varnothing 0.10$

UNGUIDED
BACKPLANE HOLE PATTERN
(CONNECTOR SIDE)




THIS DRAWING IS A CONTROLLED DOCUMENT.		DWN J. K. SHOBER 23DEC11	TE Connectivity
DIMENSIONS: mm		CHK J. EBY 23DEC11	
TOLERANCES UNLESS OTHERWISE SPECIFIED:		APVD J. EBY 23DEC11	NAME IMPACT, 3 PAIR, 10 COLUMN, HEADER
9 PLC ±		PRODUCT SPEC	UNGUIDED, OPEN END WALL
1 PLC ±0.25		APPLICATION SPEC	SIGNAL MODULE, 0.36 PTH
2 PLC ±0.13		WEIGHT	SIZE CAGE CODE DRAWING NO. RESTRICTED TO
3 PLC ±		MATERIAL	A100779C=2007788
4 PLC ±		FINISH	CUSTOMER DRAWING
ANGLES ±		SCALE 6:1	SHEET 1 OF 2
SEE TABLE		REV D	

THIS DRAWING IS UNPUBLISHED. RELEASED FOR PUBLICATION 20
 © COPYRIGHT 20 . . . ALL RIGHTS RESERVED.

LOC	DIST	REVISIONS				
AD	00	P	LTB	DATE	DWN	APVD
		-	-	SEE SHEET 1	-	-

\triangle ₃	5.5	2007788-6
\triangle ₃	4.9	2007788-5
\triangle ₃	4.5	2007788-4
\triangle ₂	5.5	2007788-3
\triangle ₂	4.9	2007788-2
\triangle ₂	4.5	2007788-1
FINISH	DIM M	PART NUMBER

REFER TO WWW.TE.COM
FOR PRODUCT AVAILABILITY

THIS DRAWING IS A CONTROLLED DOCUMENT.		DWN J. K. SHOBER	23DEC11	 TE Connectivity
DIMENSIONS: mm		CHK J. EABY	23DEC11	
TOLERANCES UNLESS OTHERWISE SPECIFIED: 9 PLC ± 7 PLC ±0.25 5 PLC ±0.13 4 PLC ± ANGLES ± FINISH SEE TABLE		APVD J. EABY	23DEC11	NAME IMPACT, 3 PAIR, 10 COLUMN, HEADER UNGUIDED, OPEN END WALL SIGNAL MODULE, 0.36 PTH
MATERIAL -		PRODUCT SPEC -	APPLICATION SPEC -	SIZE CAGE CODE DRAWING NO A100779C=2007788
CUSTOMER DRAWING			WEIGHT -	RESTRICTED TO -
			SCALE 5:1	SHEET 2 OF 2
				REV D